



US00D778565S

(12) **United States Design Patent** (10) **Patent No.:** **US D778,565 S**  
**Sars** (45) **Date of Patent:** **\*\* Feb. 14, 2017**

(54) **SOLE**  
(71) Applicant: **ECCO SKO A/S**, Bredebro (DK)  
(72) Inventor: **Jeroen Sars**, JJ Waalre (DK)  
(73) Assignee: **ECCO SKO A/S**, Bredebro (DK)  
(\*\*) Term: **15 Years**  
(21) Appl. No.: **29/544,498**  
(22) Filed: **Nov. 4, 2015**

(30) **Foreign Application Priority Data**

May 4, 2015 (EM) ..... 002693788-0016

(51) **LOC (10) Cl.** ..... **02-04**

(52) **U.S. Cl.**  
USPC ..... **D2/960**

(58) **Field of Classification Search**  
USPC ..... D2/902, 906, 908, 916, 918, 925,  
D2/946-962, 977  
CPC ..... A43B 13/00; A43B 13/02; A43B 13/023;  
A43B 13/026; A43B 13/04; A43B 13/08;  
A43B 13/10; A43B 13/12; A43B 13/14;  
A43B 13/141; A43B 13/143; A43B 13/16;  
A43B 13/18; A43B 13/181; A43B 13/187;  
A43B 13/189; A43B 13/20; A43B 13/22;  
A43B 13/223; A43B 13/24; A43B 13/28;  
A43B 13/30; A43B 13/32; A43B 13/34;  
A43B 13/36

See application file for complete search history.

(56) **References Cited**

**U.S. PATENT DOCUMENTS**

D301,936 S \* 7/1989 Swett ..... D2/956  
D449,156 S \* 10/2001 McClaskie ..... D2/951  
D459,063 S \* 6/2002 Nason ..... D2/953  
D492,840 S \* 7/2004 Hearn ..... D2/908  
D513,842 S \* 1/2006 Paytavi ..... D2/950

D584,887 S \* 1/2009 Earle ..... D2/951  
D643,197 S \* 8/2011 Teteriatnikov ..... D2/951  
D683,119 S \* 5/2013 Shyllon ..... D2/960  
D724,297 S \* 3/2015 Oliver ..... D2/951  
D732,810 S \* 6/2015 Healy ..... D2/951  
D759,953 S \* 6/2016 Cohn ..... D2/951  
2008/0229617 A1\* 9/2008 Johnson ..... A43B 3/0057  
36/102  
2014/0013624 A1\* 1/2014 Stockbridge ..... A43B 13/00  
36/103

(Continued)

**OTHER PUBLICATIONS**

Mama bags, shoes: Via Spiga, LeSportsac, NineWest, Skiphop, J-41, posted at diaperswappers.com, earliest date available Jun. 19, 2011, [online], acquired on Aug. 15, 2016. Available from Internet, <URL: <http://www.diaperswappers.com/forum/showthread.php?t=1230290>>.\*

*Primary Examiner* — Cathron Brooks

*Assistant Examiner* — Aula Soroush

(74) *Attorney, Agent, or Firm* — Cantor Colburn LLP

(57) **CLAIM**

I claim, the ornamental design for sole, as shown and described.

**DESCRIPTION**

FIG. 1 is a top and side perspective view of a sole, showing my new design;

FIG. 2 is a front view thereof;

FIG. 3 is a left side elevation view thereof;

FIG. 4 is a right side elevation view thereof;

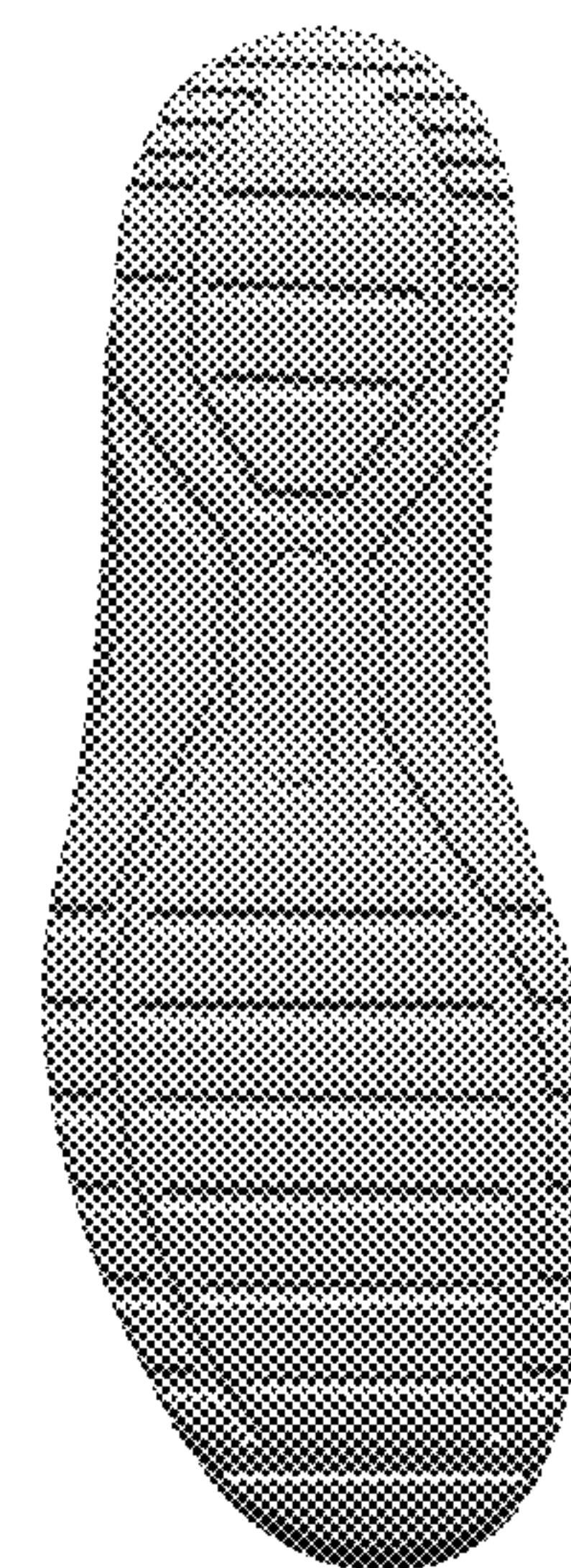
FIG. 5 is a rear view thereof; and

FIG. 6 is a bottom plan view thereof;

FIG. 7 is a bottom and side perspective view thereof; and

FIG. 8 is an opposite bottom and side perspective view thereof.

**1 Claim, 8 Drawing Sheets**



(56)

**References Cited**

U.S. PATENT DOCUMENTS

2014/0296762 A1\* 10/2014 Hecker ..... A61F 5/0585  
602/28  
2016/0081427 A1\* 3/2016 Iuchi ..... A43B 13/026  
36/28

\* cited by examiner



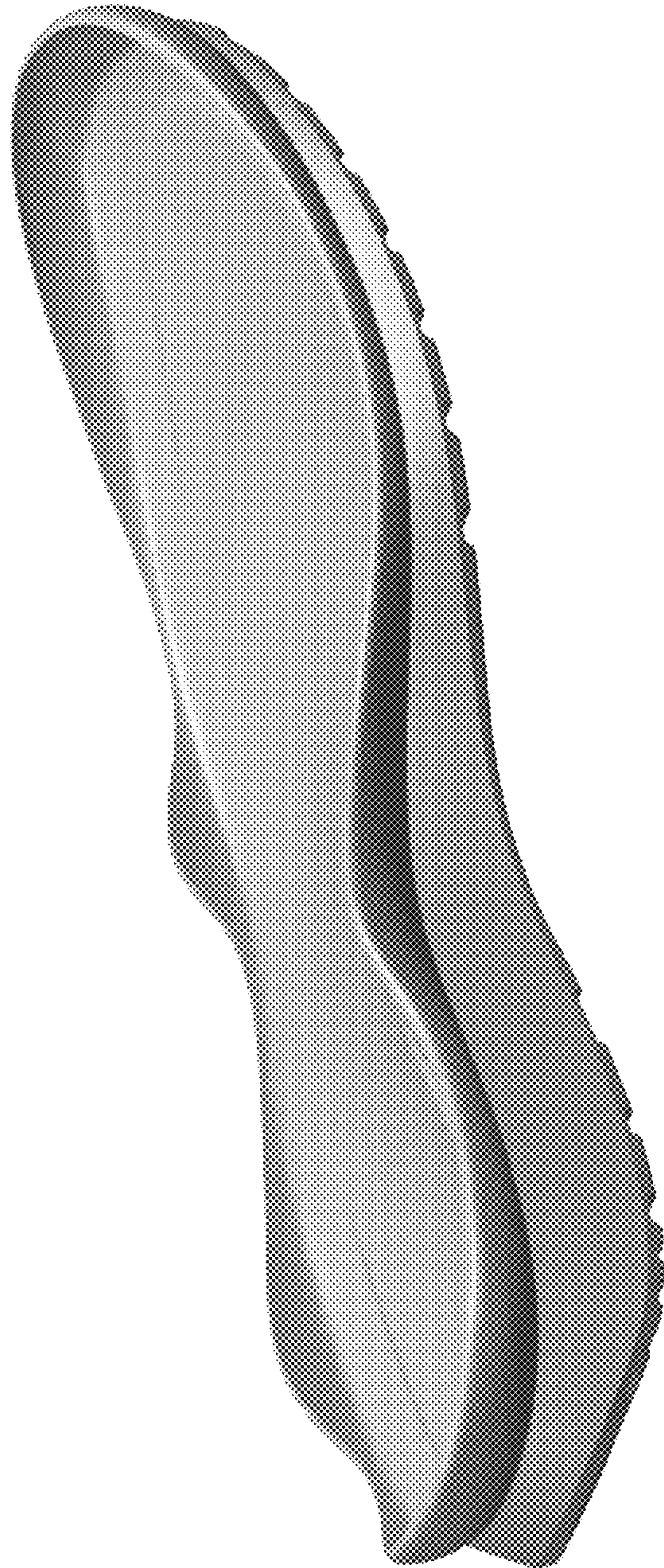


FIGURE 1

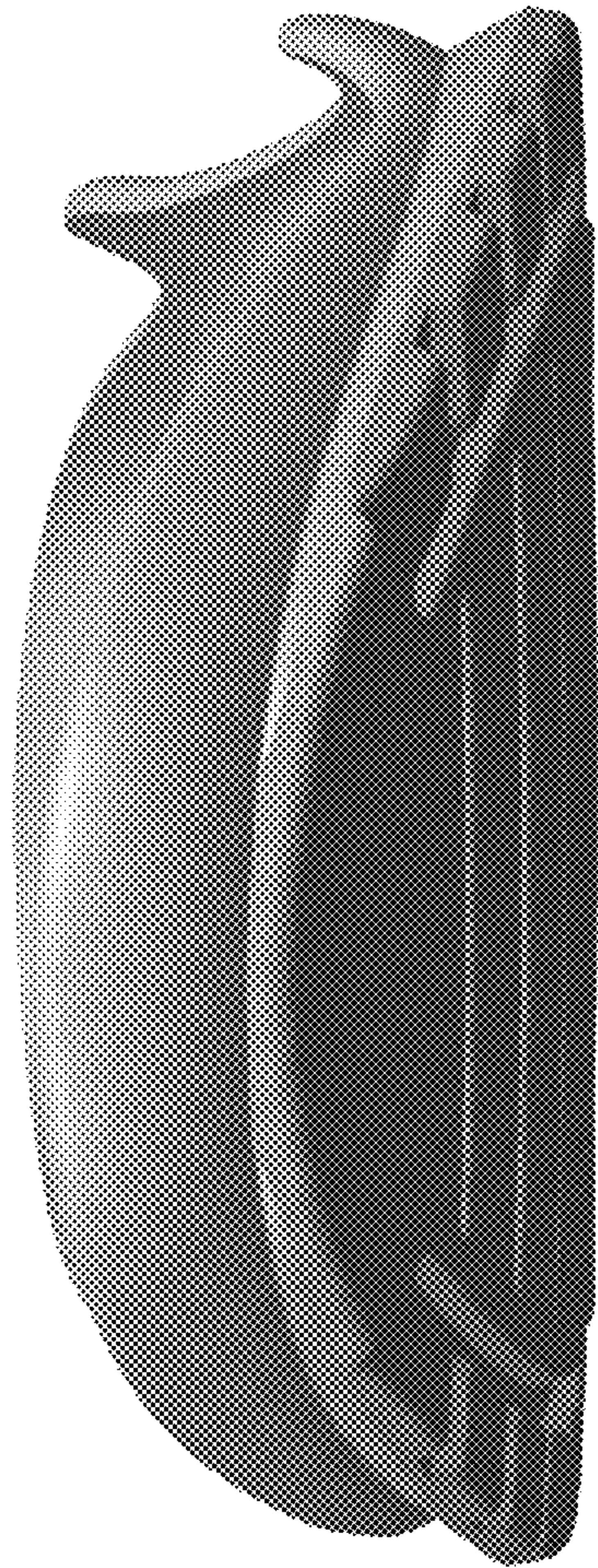


FIGURE 2



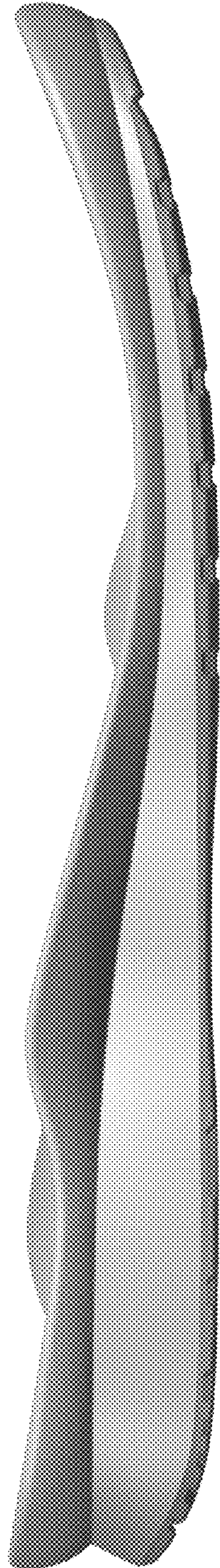


FIGURE 3

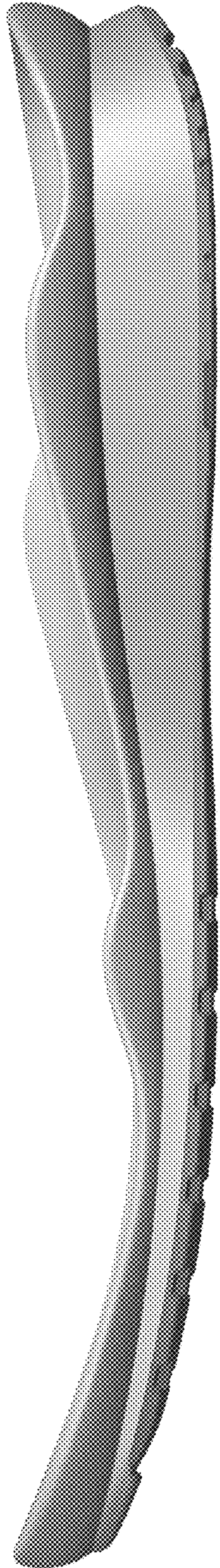


FIGURE 4



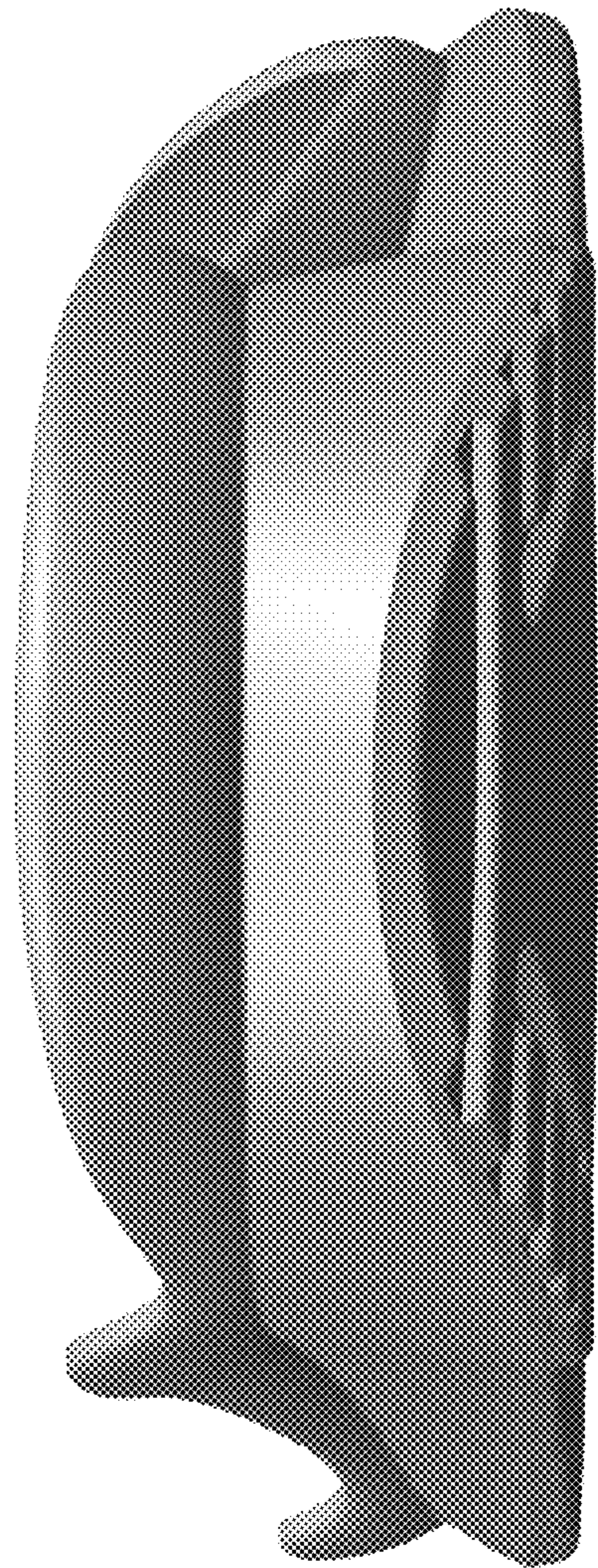


FIGURE 5

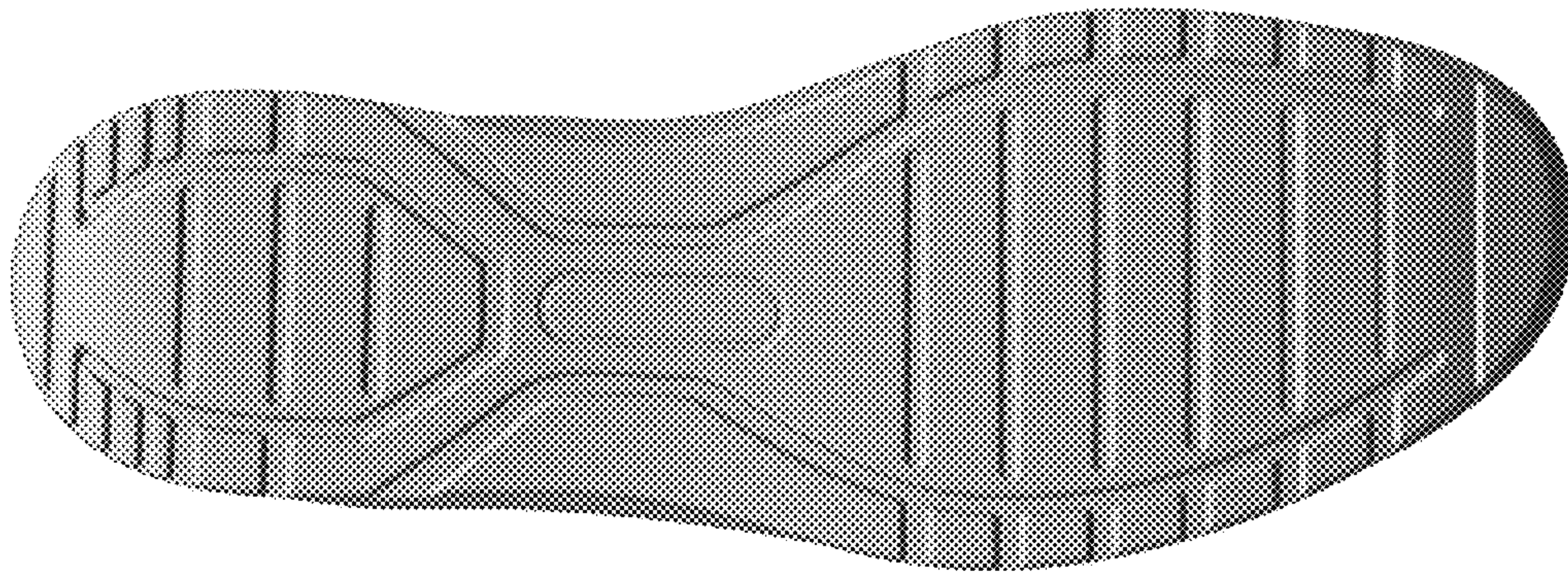


FIGURE 6





FIGURE 7



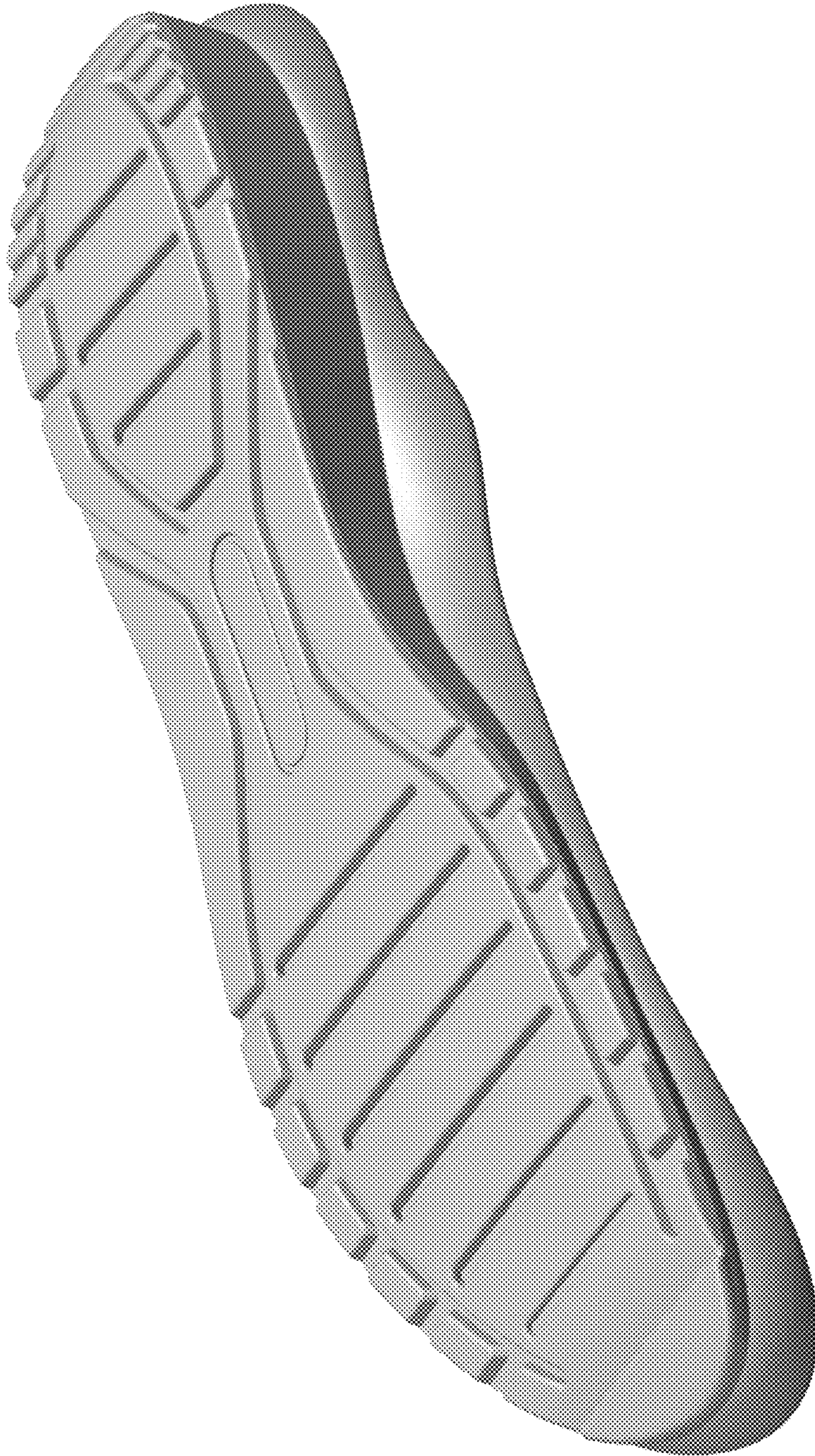


FIGURE 8