



US00D778550S

(12) **United States Design Patent**  
**Knutson**

(10) **Patent No.:** **US D778,550 S**

(45) **Date of Patent:** **\*\* Feb. 14, 2017**

(54) **SHOE COVER**

(71) Applicant: **Steve Knutson**, Byron, MN (US)

(72) Inventor: **Steve Knutson**, Byron, MN (US)

(73) Assignee: **SJK Ventures, LLC**, Byron, MN (US)

(\*\*) Term: **14 Years**

(21) Appl. No.: **29/514,693**

(22) Filed: **Jan. 15, 2015**

(51) **LOC (10) Cl.** ..... **02-04**

(52) **U.S. Cl.**  
USPC ..... **D2/909**

(58) **Field of Classification Search**  
USPC ..... D2/901, 902, 906, 909, 910, 914, 915,  
D2/986; D3/215, 218, 225; D21/119-122  
CPC ..... A41D 17/00; A41D 31/0061; A43B 3/16;  
A43B 7/32; A43B 5/18; A43C 13/14  
See application file for complete search history.

(56) **References Cited**

**U.S. PATENT DOCUMENTS**

2,023,580	A *	12/1935	Fullarton	.....	A43C 13/14 36/72 R
3,672,077	A	6/1972	Coles		
4,102,062	A *	7/1978	Adams	.....	A43B 7/32 36/72 R
4,896,378	A *	1/1990	Campana	.....	A41D 20/00 2/16
D423,198	S *	4/2000	Peterson	.....	D2/909
D425,289	S *	5/2000	Sheppard, Jr.	.....	D2/909
6,243,973	B1	6/2001	Lind		
D482,514	S *	11/2003	Whittington	.....	D2/909
6,651,360	B1	11/2003	Lind		

6,662,476	B1	12/2003	Lind		
D552,834	S *	10/2007	Hannah	.....	D2/946
D589,246	S *	3/2009	Smith	.....	D2/909
D604,481	S *	11/2009	Pritchett	.....	D2/909
D609,436	S *	2/2010	Flint	.....	D2/909
D641,962	S *	7/2011	Daniels	.....	D2/909
D680,715	S *	4/2013	Johnson, Jr.	.....	D2/901
D683,114	S *	5/2013	Vardell	.....	D2/909
8,458,927	B2	6/2013	Santos		
2005/0066543	A1	3/2005	Rosen et al.		
2013/0074363	A1	3/2013	Adams		

\* cited by examiner

*Primary Examiner* — Ian Simmons

*Assistant Examiner* — Rashida C Walshon

(74) *Attorney, Agent, or Firm* — Merchant & Gould P.C.

(57) **CLAIM**

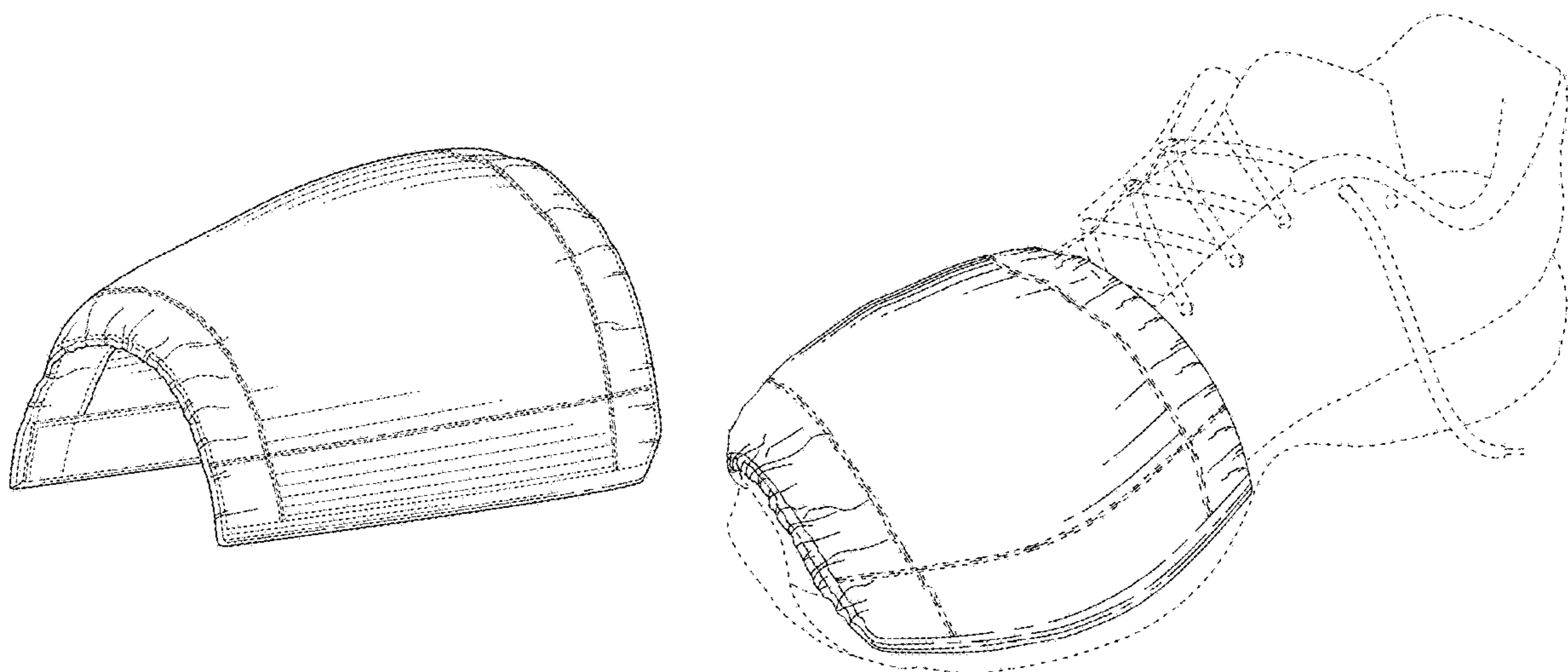
The ornamental design for a shoe cover, as shown and described.

**DESCRIPTION**

FIG. 1 is a top perspective view of the shoe cover.  
FIG. 2 is a bottom perspective view of the shoe cover.  
FIG. 3 is a front elevation view of the shoe cover.  
FIG. 4 is a back elevation view of the shoe cover.  
FIG. 5 is a right side elevation view of the shoe cover.  
FIG. 6 is a left side elevation view of the shoe cover.  
FIG. 7 is a top plan view of the shoe cover.  
FIG. 8 is bottom plan view of the shoe cover; and,  
FIG. 9 is a top perspective view of the shoe cover shown on a shoe.

The broken lines on the shoe cover represent unclaimed stitching. The dashed lines forming the shoe in the drawing disclosure are for the purpose of illustrating environment and form no part of the claimed design.

**1 Claim, 6 Drawing Sheets**



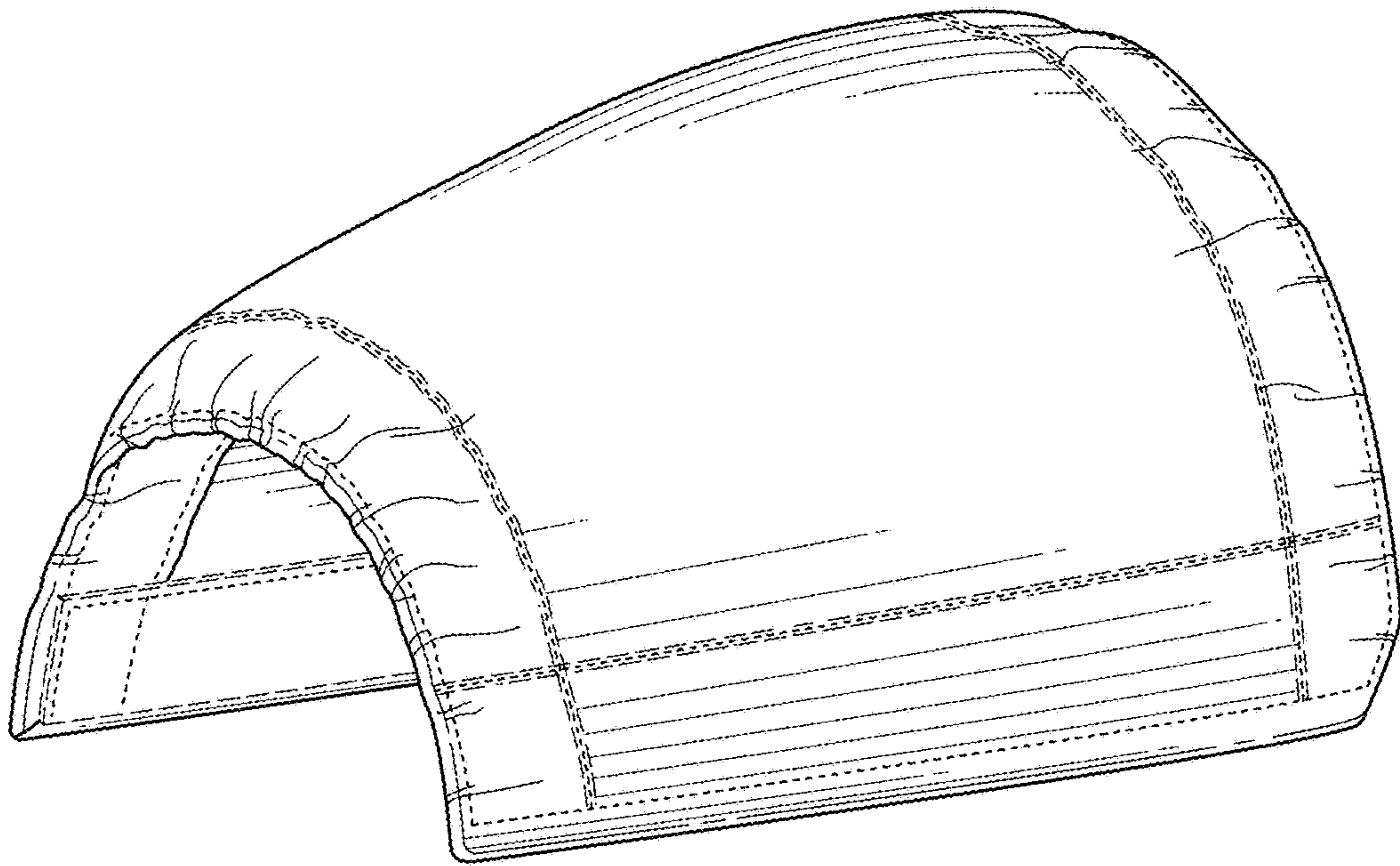


FIG. 1

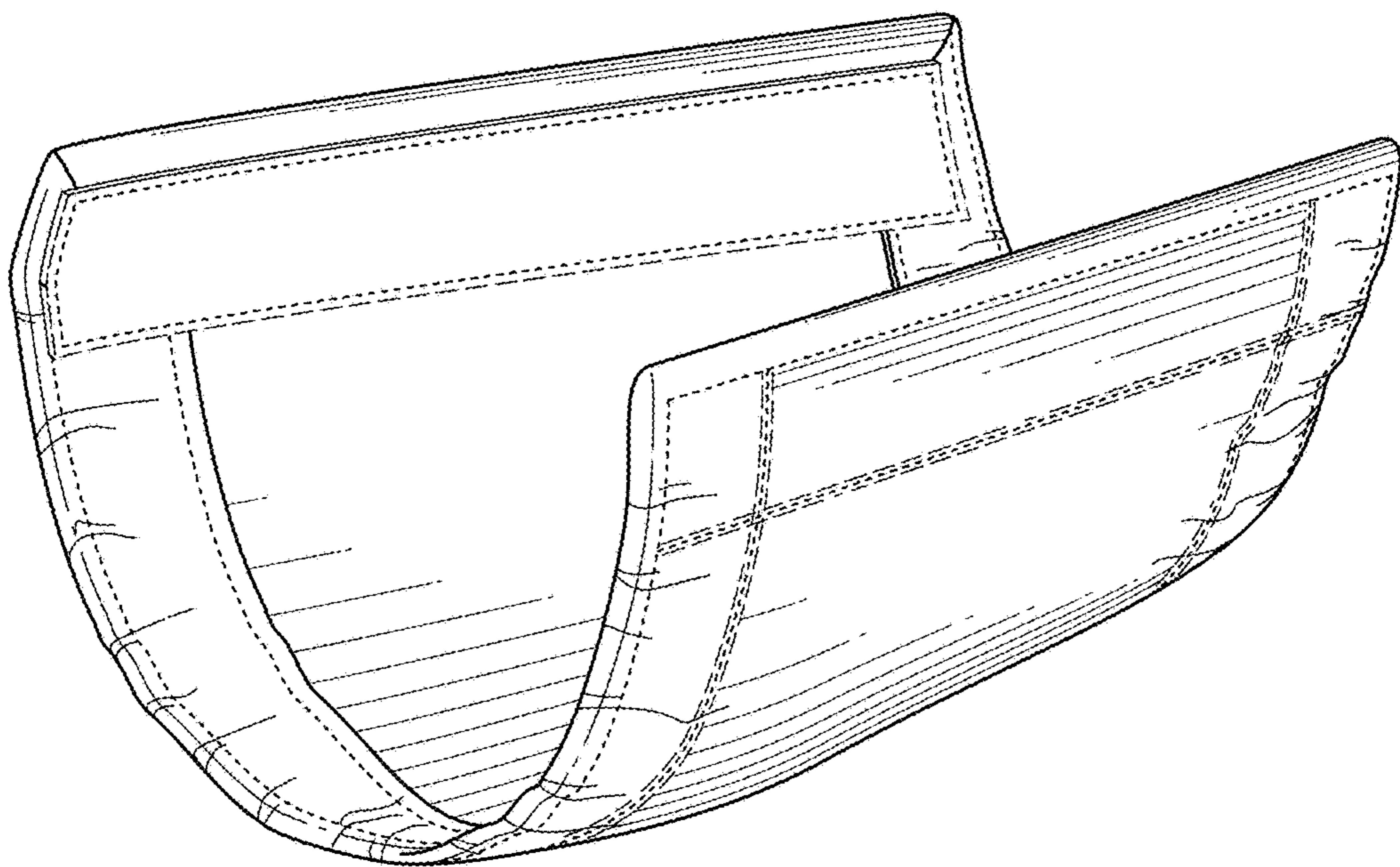


FIG. 2

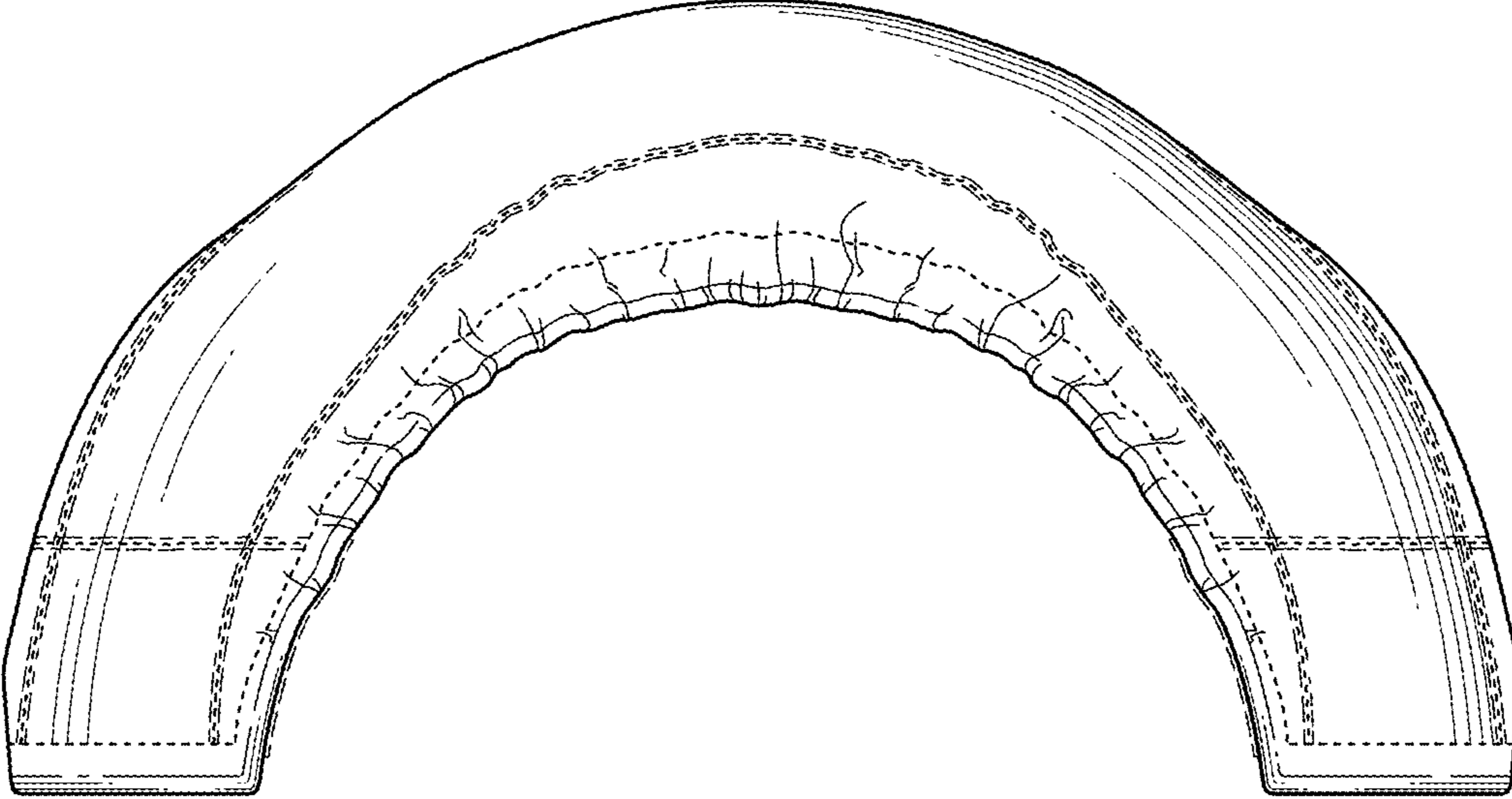


FIG. 3

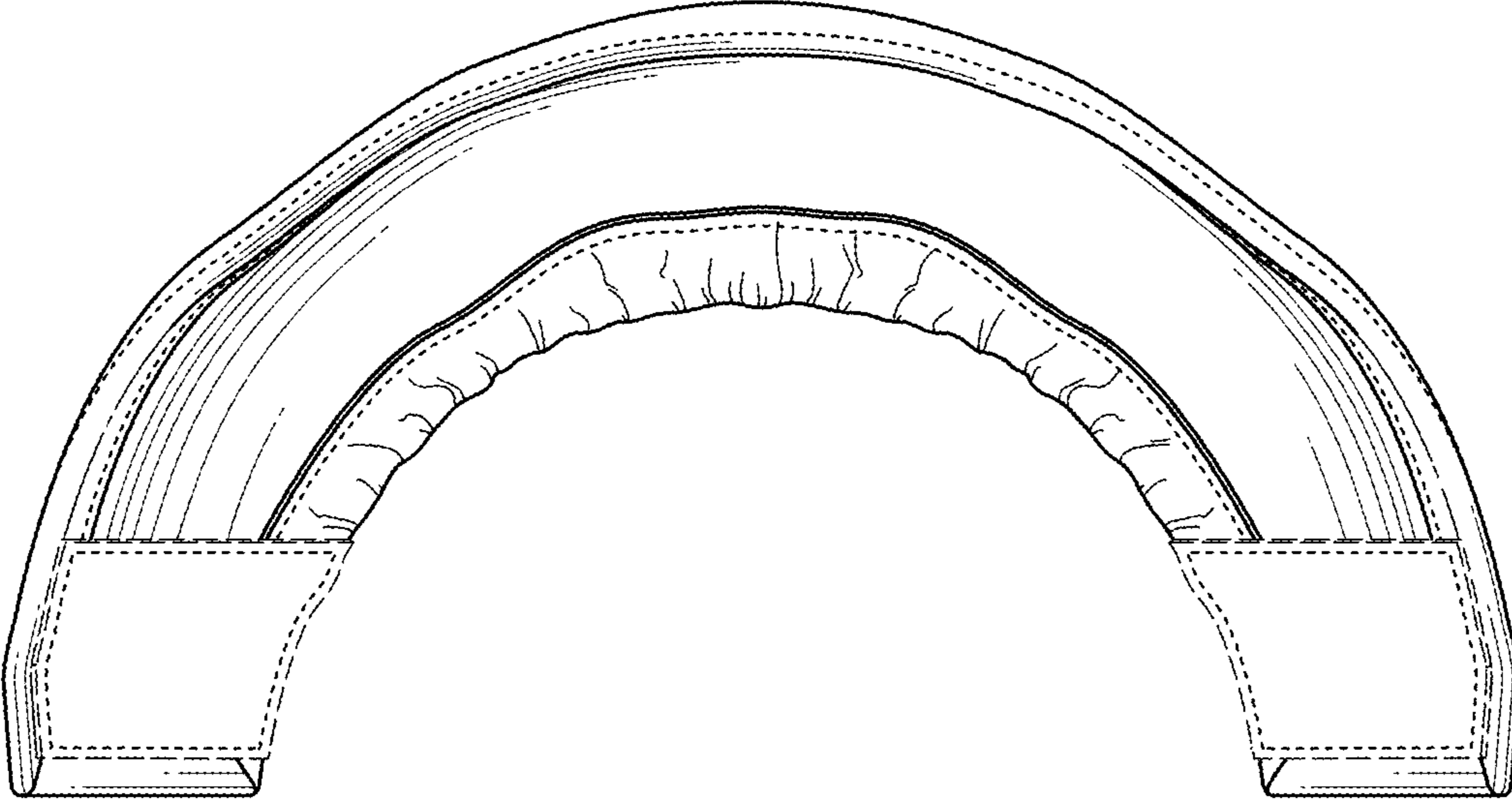


FIG. 4

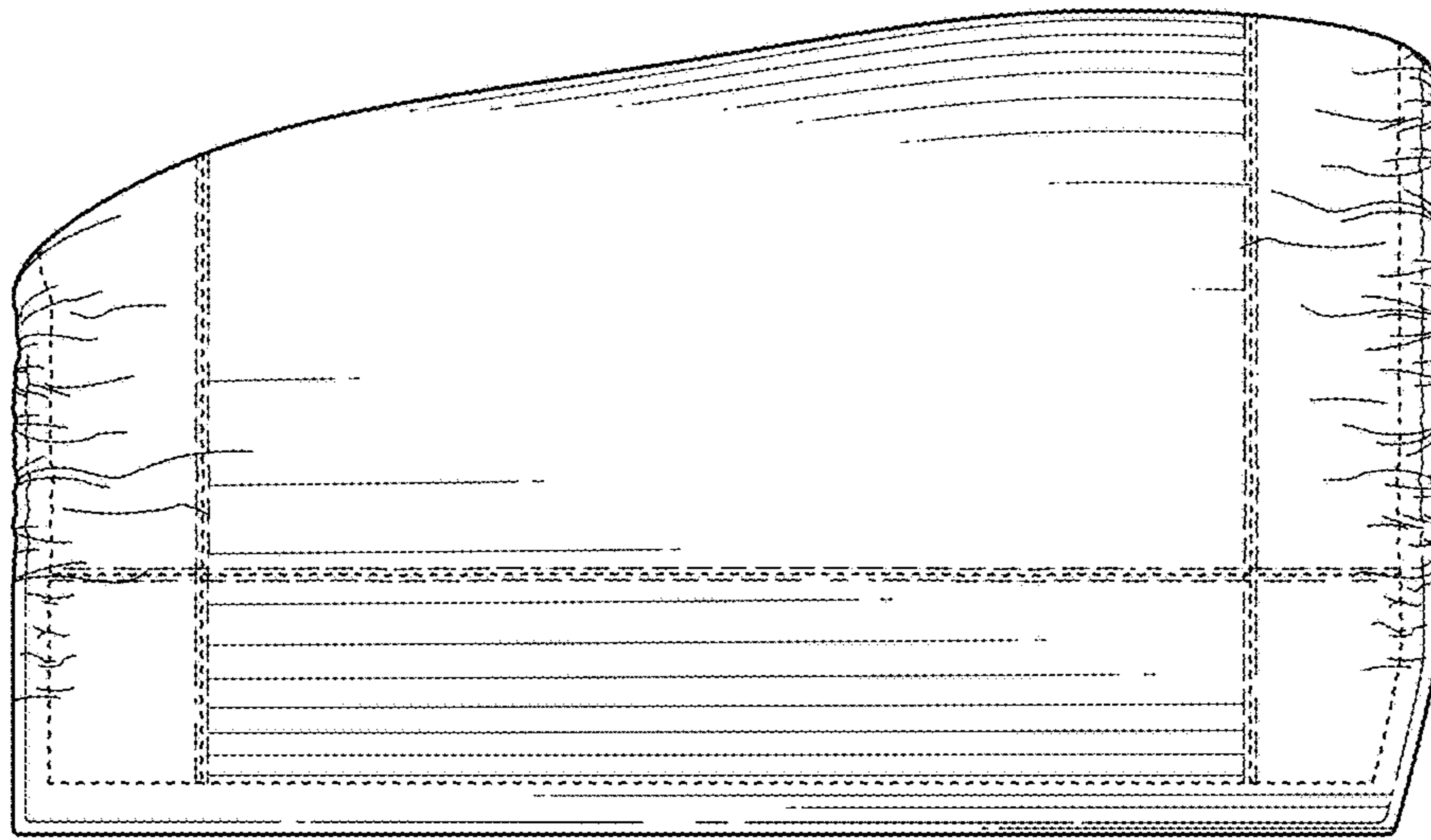


FIG. 5

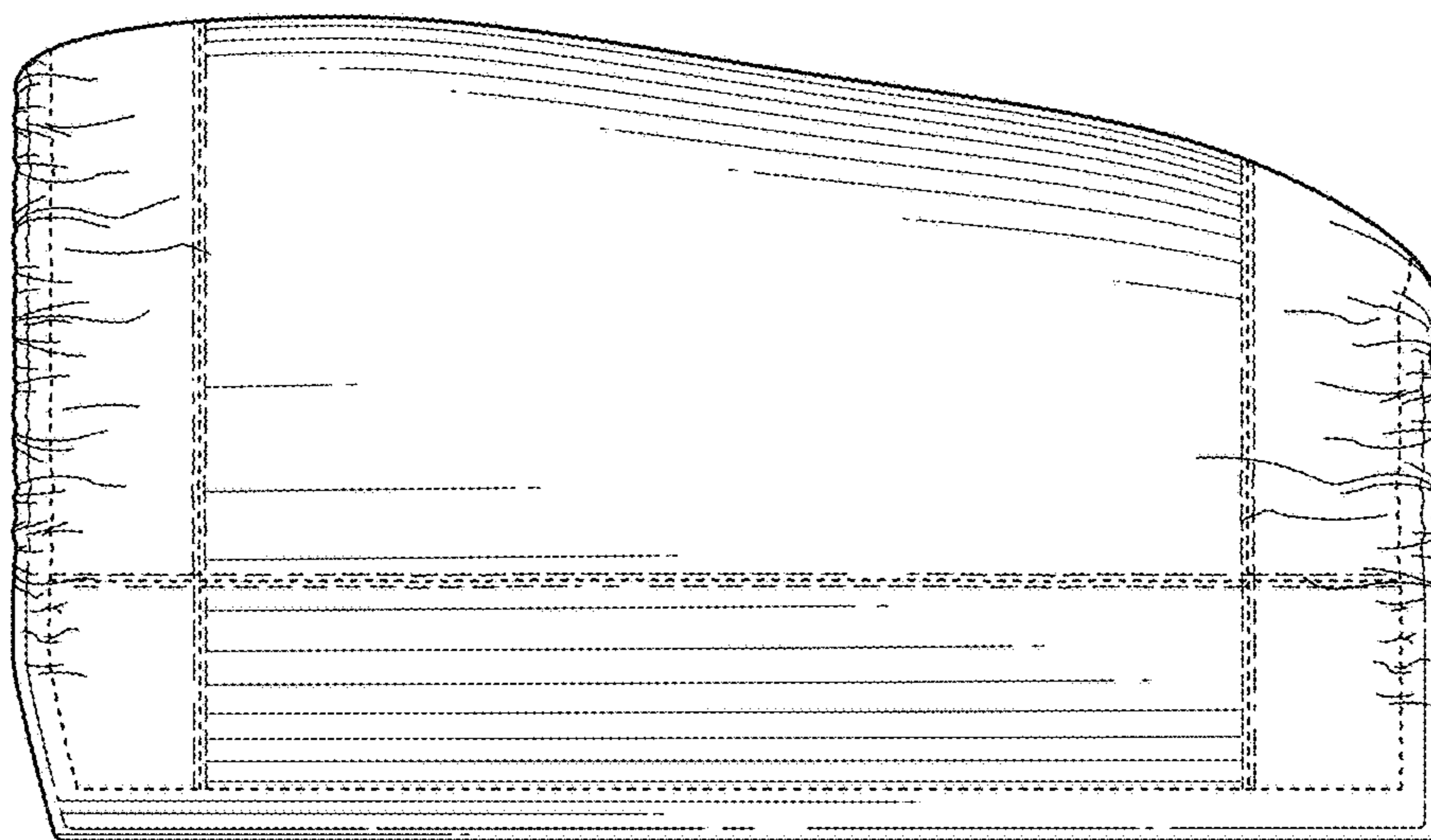


FIG. 6

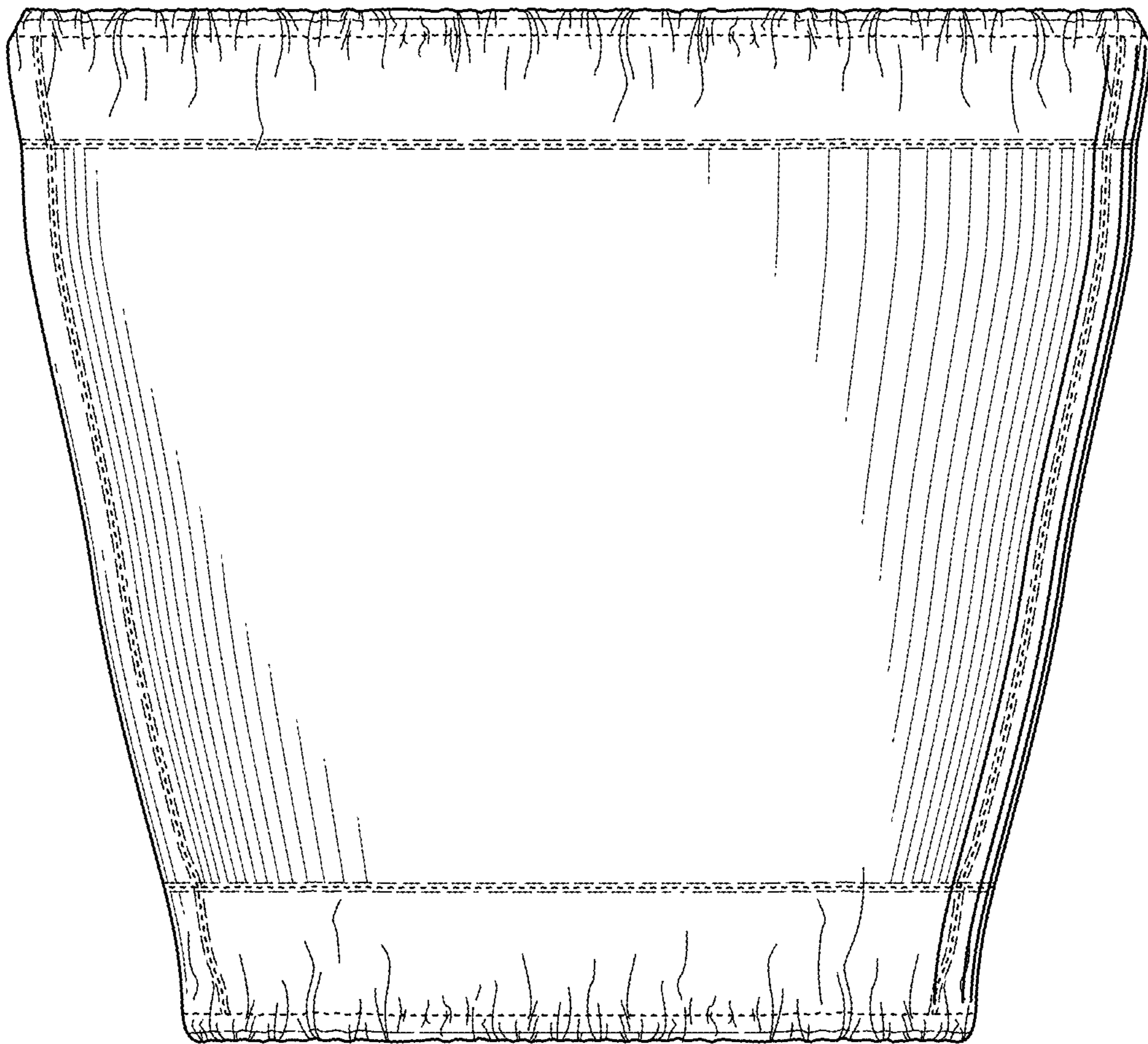


FIG. 7

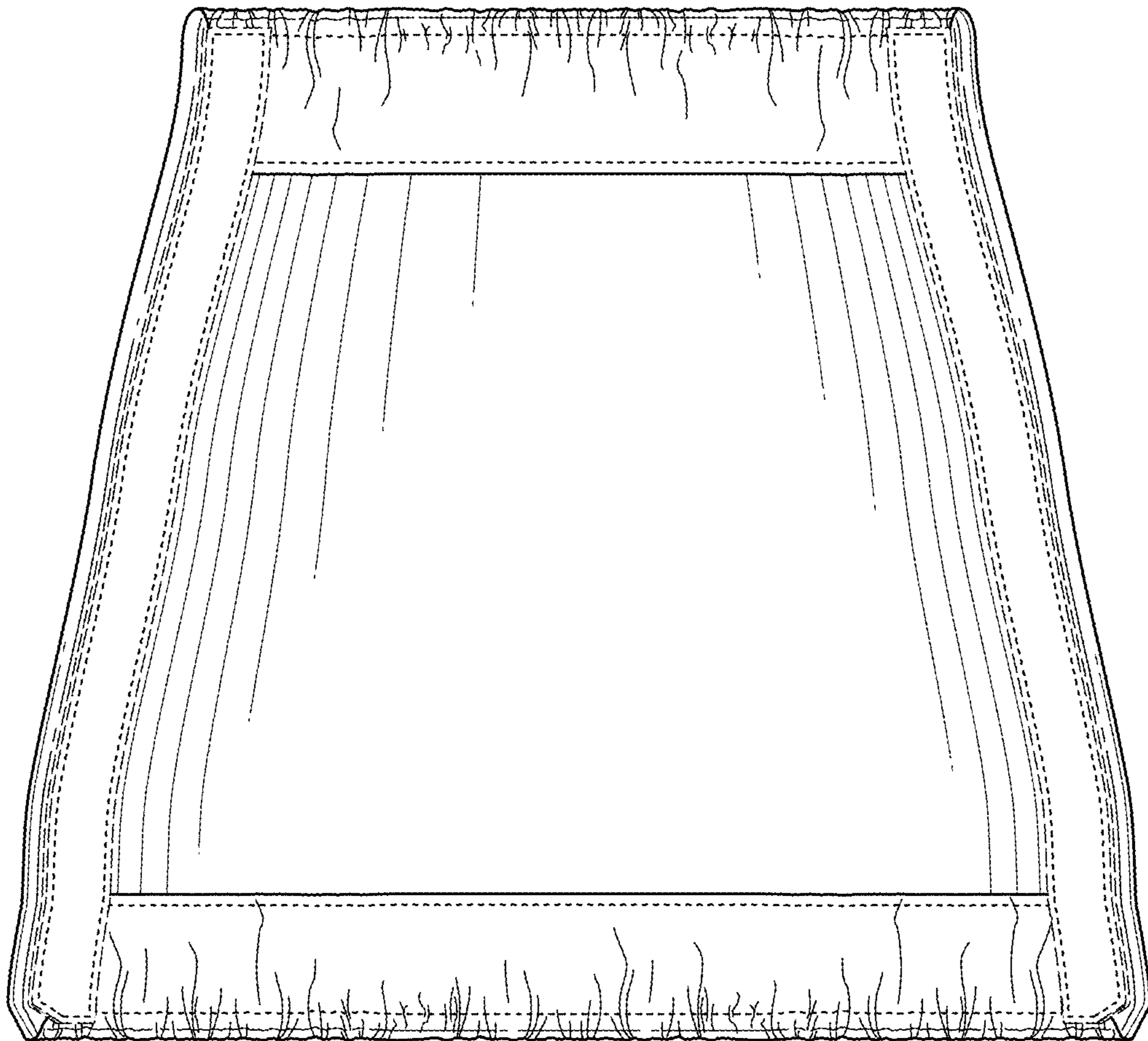


FIG. 8

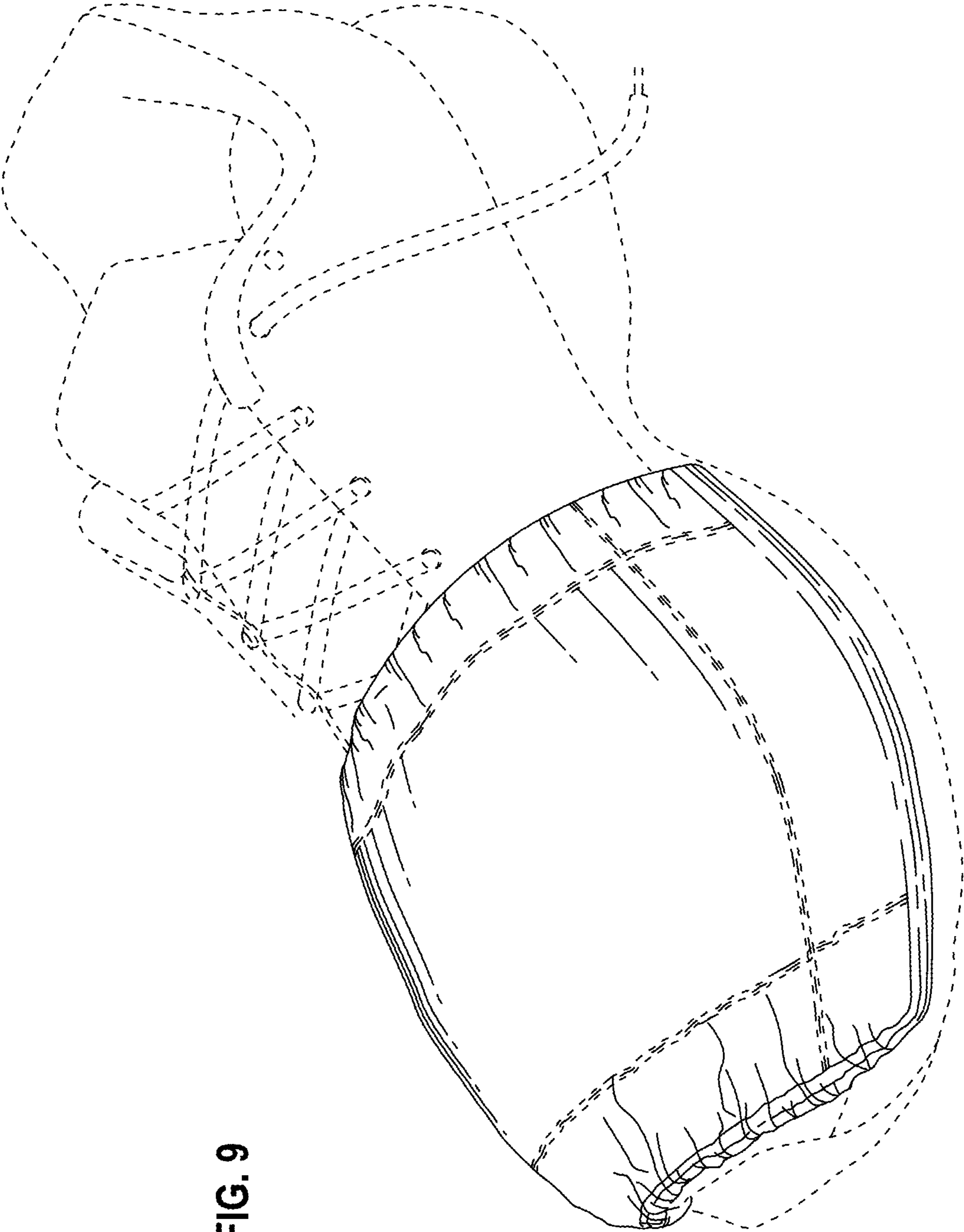


FIG. 9