



US00D778549S

(12) **United States Design Patent**
Conklin

(10) **Patent No.:** **US D778,549 S**

(45) **Date of Patent:** **** Feb. 14, 2017**

(54) **STINGRAY PROTECTIVE WADING BOOT**

(71) Applicant: **Karen Conklin**, Madeira Beach, FL
(US)

(72) Inventor: **Karen Conklin**, Madeira Beach, FL
(US)

(**) Term: **15 Years**

(21) Appl. No.: **29/555,652**

(22) Filed: **Feb. 24, 2016**

(51) **LOC (10) Cl.** **02-04**

(52) **U.S. Cl.**
USPC **D2/903**

(58) **Field of Classification Search**
USPC D2/896, 902, 903, 905, 909, 910, 911,
D2/919, 946, 947, 951, 960, 970
CPC A43B 3/00; A43B 3/02; A43B 3/04;
A43B 3/10; A43B 3/101; A43B
5/00; A43B 5/002; A43B 5/003; A43B
5/04; A43B 5/06; A43B 5/08; A43B 5/14;
A43B 5/145; A43B 7/12; A43B 7/125;
A43B 23/00; A43B 23/02; A43B
23/0205; A43B 23/021; A43B 23/0215;
A43B 23/022; A43B 23/06
See application file for complete search history.

(56) **References Cited**

U.S. PATENT DOCUMENTS

- 1,074,595 A * 10/1913 Aumont A43B 5/08
2/239
- 1,617,462 A * 2/1927 Schamberg A43B 3/106
36/50.1
- 2,129,226 A 9/1938 Montano
- 3,694,940 A * 10/1972 Stohr A43B 19/00
36/10
- 4,069,600 A * 1/1978 Wise A43B 19/00
2/22
- 4,294,022 A 10/1981 Stockli

- D290,303 S * 6/1987 Womack D2/910
- 4,809,447 A 3/1989 Pacanowsky
- D319,917 S * 9/1991 Mishima D2/903
- D320,497 S * 10/1991 Steele D2/903
- D321,971 S * 12/1991 Bajork D2/899
- 5,222,313 A * 6/1993 Dowdy A43B 5/08
36/138
- D368,792 S * 4/1996 Cavitt D2/910
- D370,115 S * 5/1996 Ballou D2/909
- D380,593 S * 7/1997 Lauzon D2/920
- 5,724,680 A * 3/1998 Cesnick A43B 5/0409
2/239
- 5,774,898 A * 7/1998 Malpee A41B 11/004
2/22
- D404,189 S * 1/1999 Watson D2/910
- 5,896,676 A 4/1999 Barousse
- 5,913,592 A 6/1999 Moore
- D450,426 S * 11/2001 Huard D2/900
- D450,427 S * 11/2001 Huard D2/900
- D458,439 S * 6/2002 Hudson D2/860
- D483,830 S * 12/2003 Pylarinos D2/903

(Continued)

FOREIGN PATENT DOCUMENTS

CN 200962890 Y 10/2007

Primary Examiner — Elizabeth J Oswecki

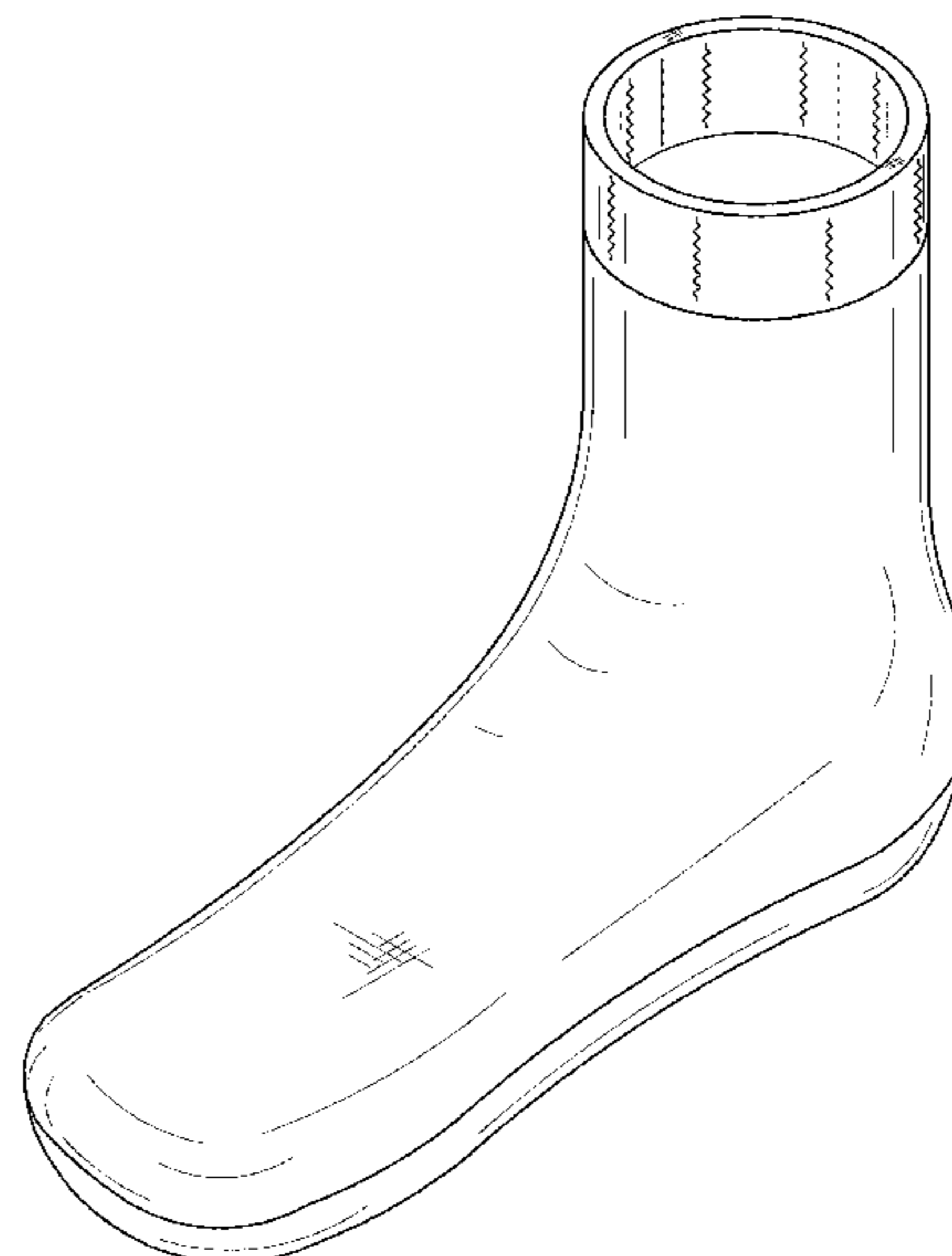
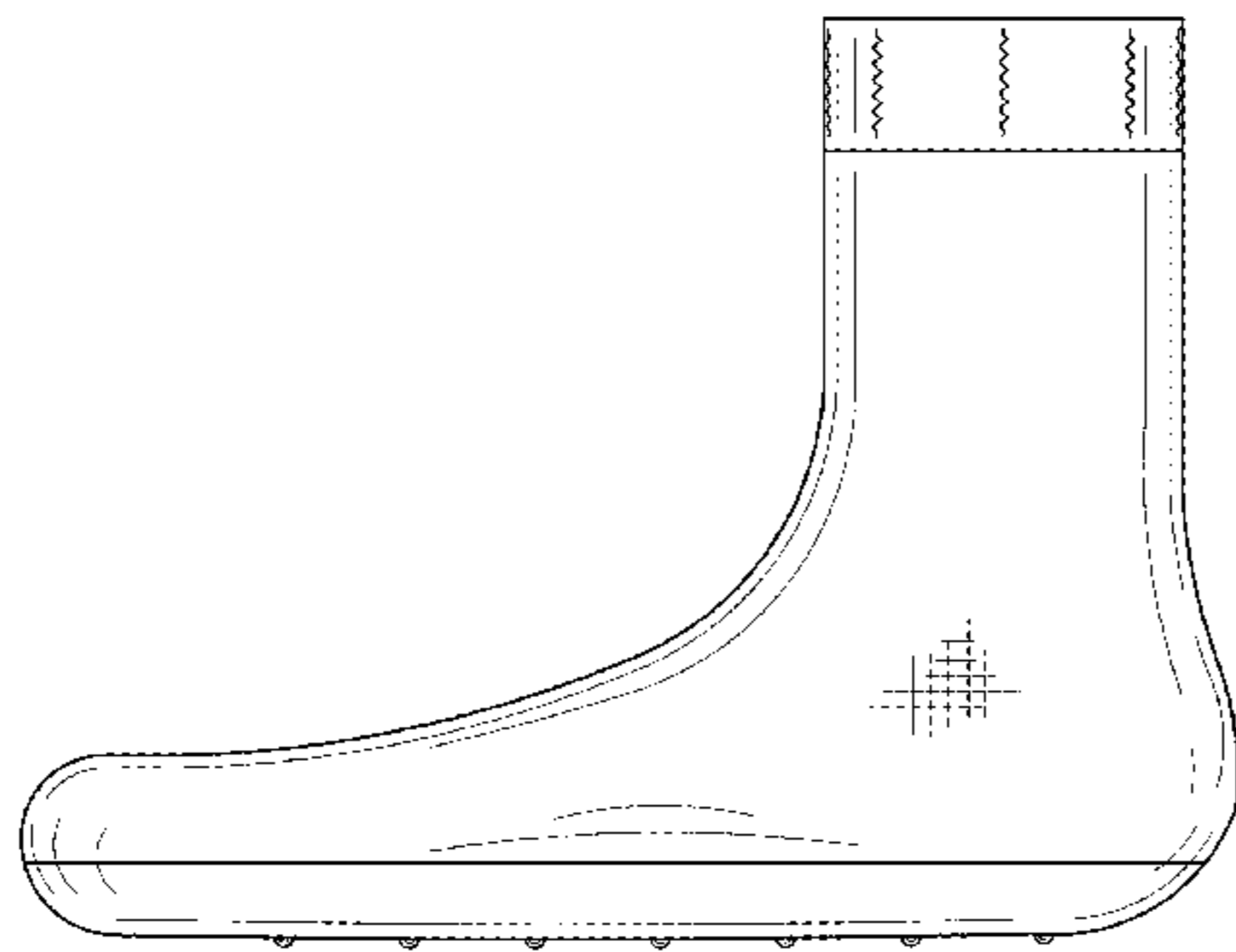
(57) **CLAIM**

The ornamental design for a stingray protective wading boot, as shown and described.

DESCRIPTION

FIG. 1 is a left side view of a stingray protective wading boot showing my new design;
FIG. 2 is a right side view thereof;
FIG. 3 is a rear view thereof;
FIG. 4 is a front view thereof;
FIG. 5 is a top view thereof;
FIG. 6 is a bottom view thereof; and,
FIG. 7 is a perspective view thereof.

1 Claim, 5 Drawing Sheets



(56)

References Cited

U.S. PATENT DOCUMENTS

D615,283	S	*	5/2010	Penders	D2/910
D618,889	S	*	7/2010	Jones	D2/909
D622,038	S	*	8/2010	Bracken	D2/897
8,230,617	B2		7/2012	Luedecke	
D694,496	S	*	12/2013	Gordon	D2/943
2004/0020077	A1		2/2004	Thomas	
2013/0055589	A1		3/2013	Lombardi	

* cited by examiner

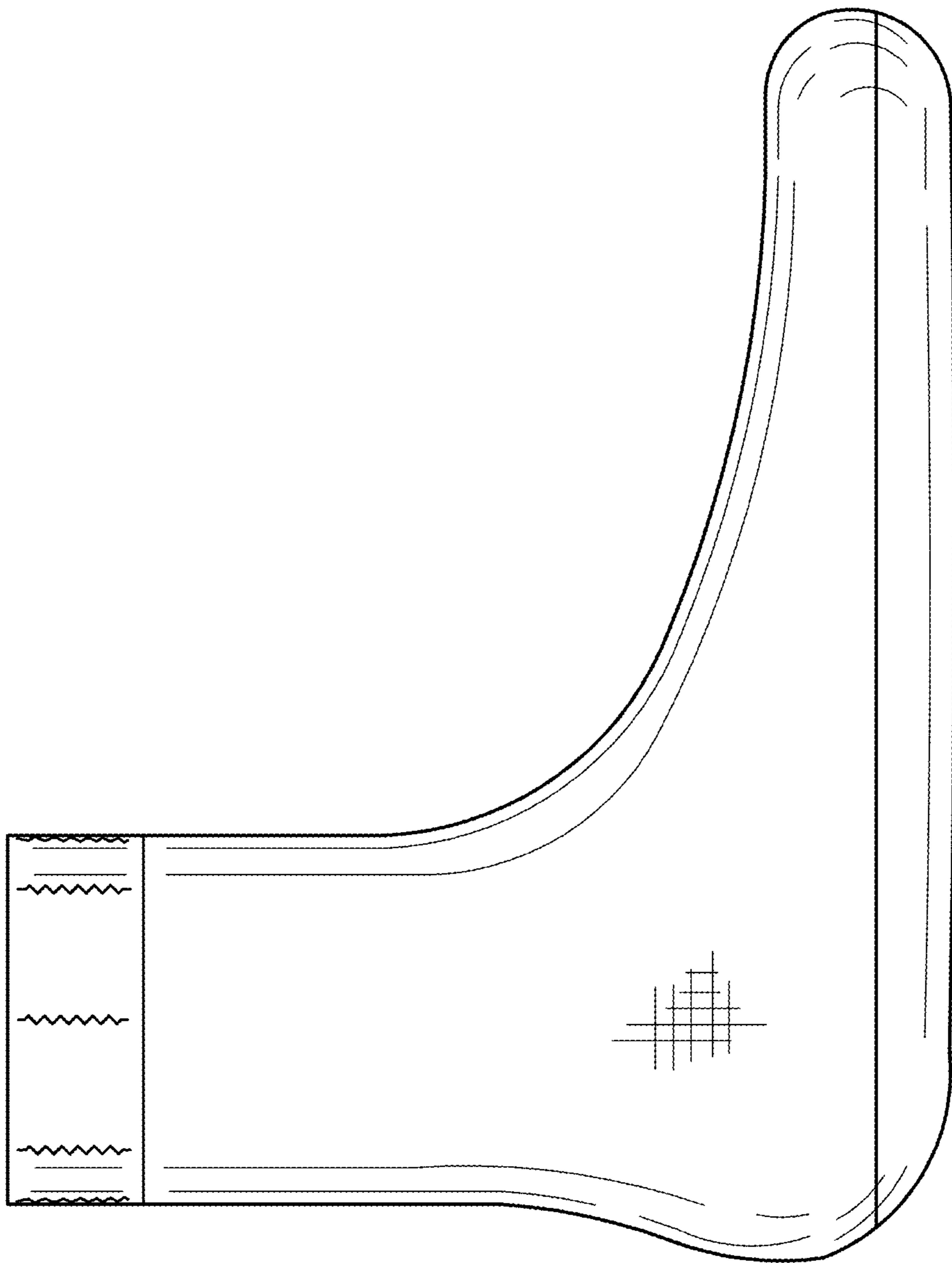


FIG. 1

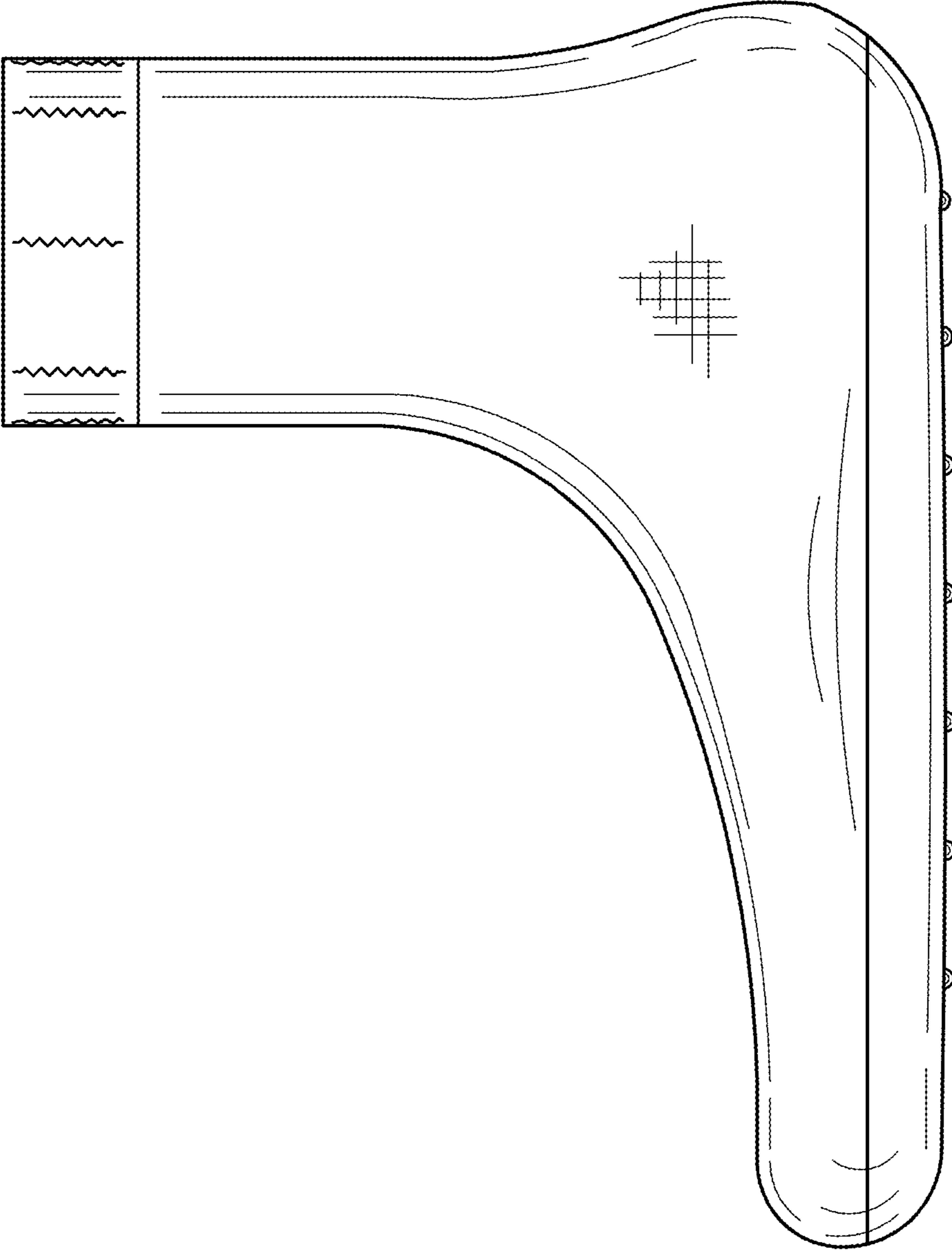


FIG. 2

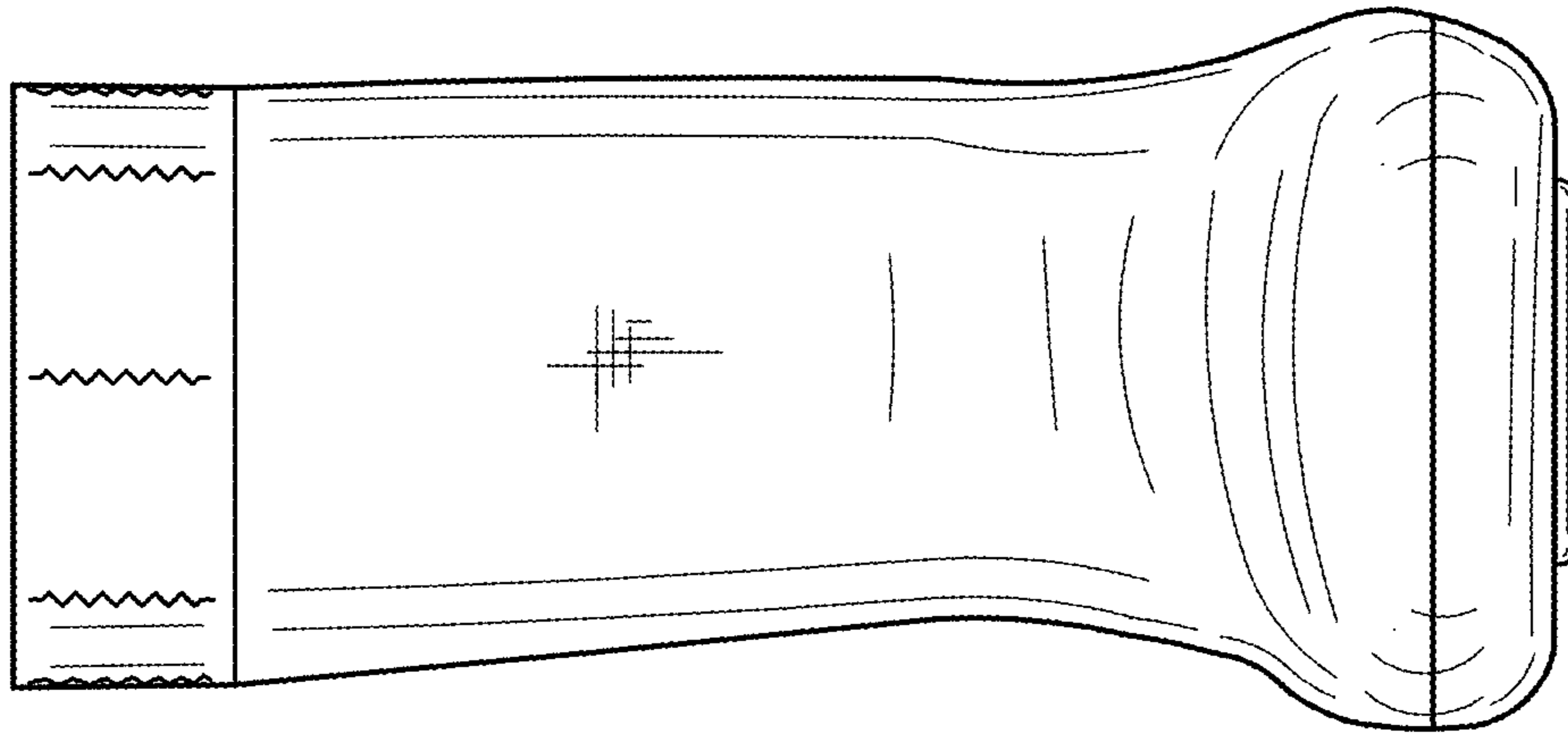


FIG. 4

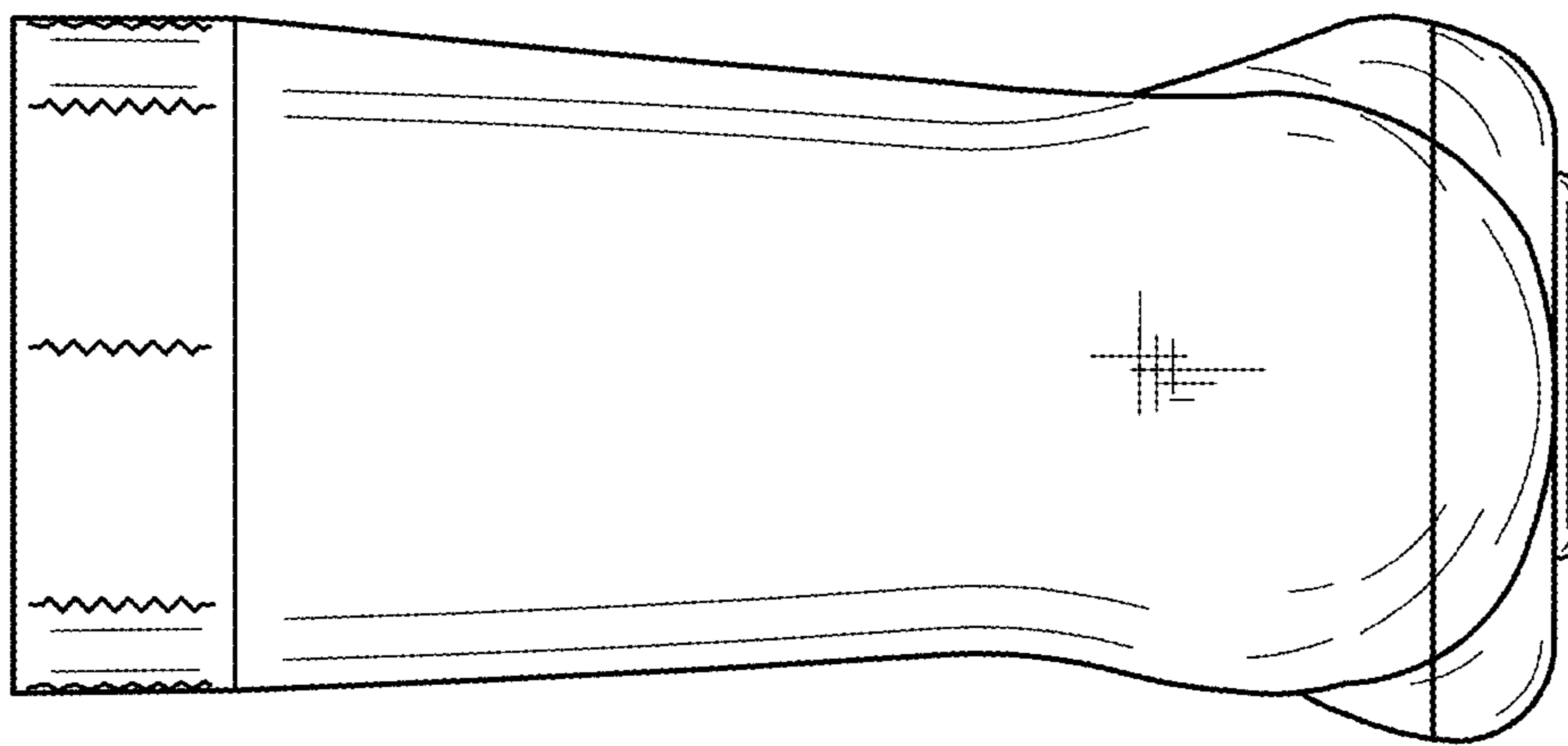


FIG. 3

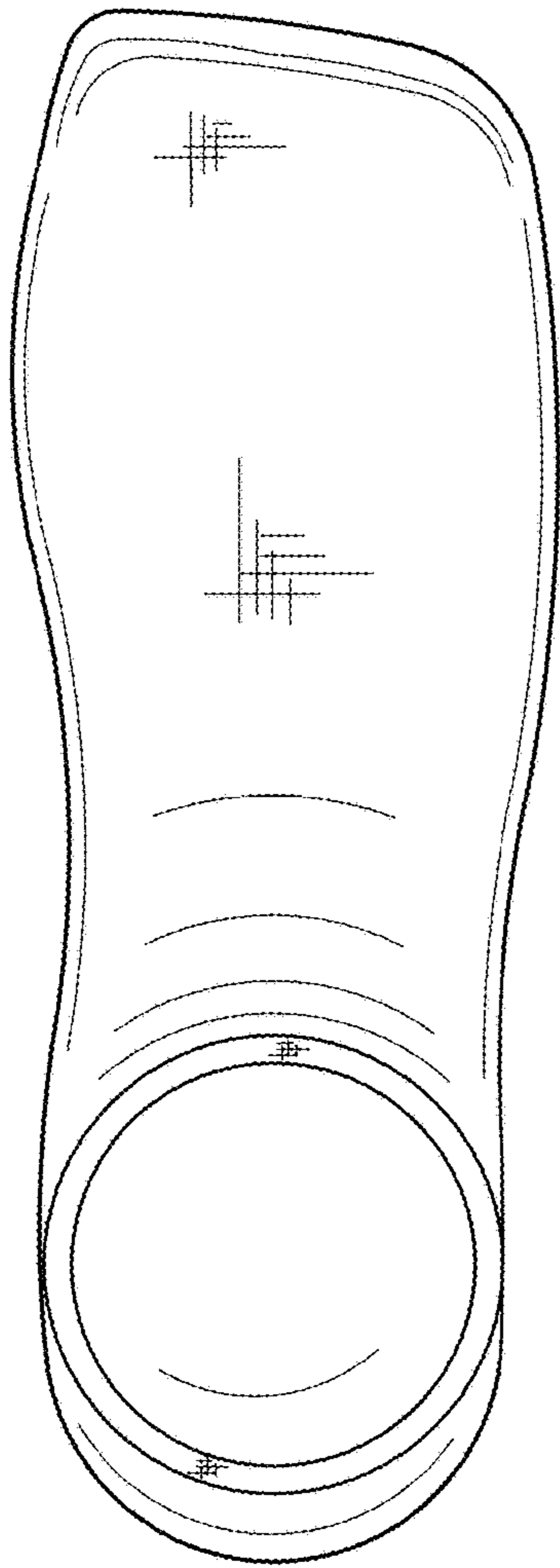


FIG. 5

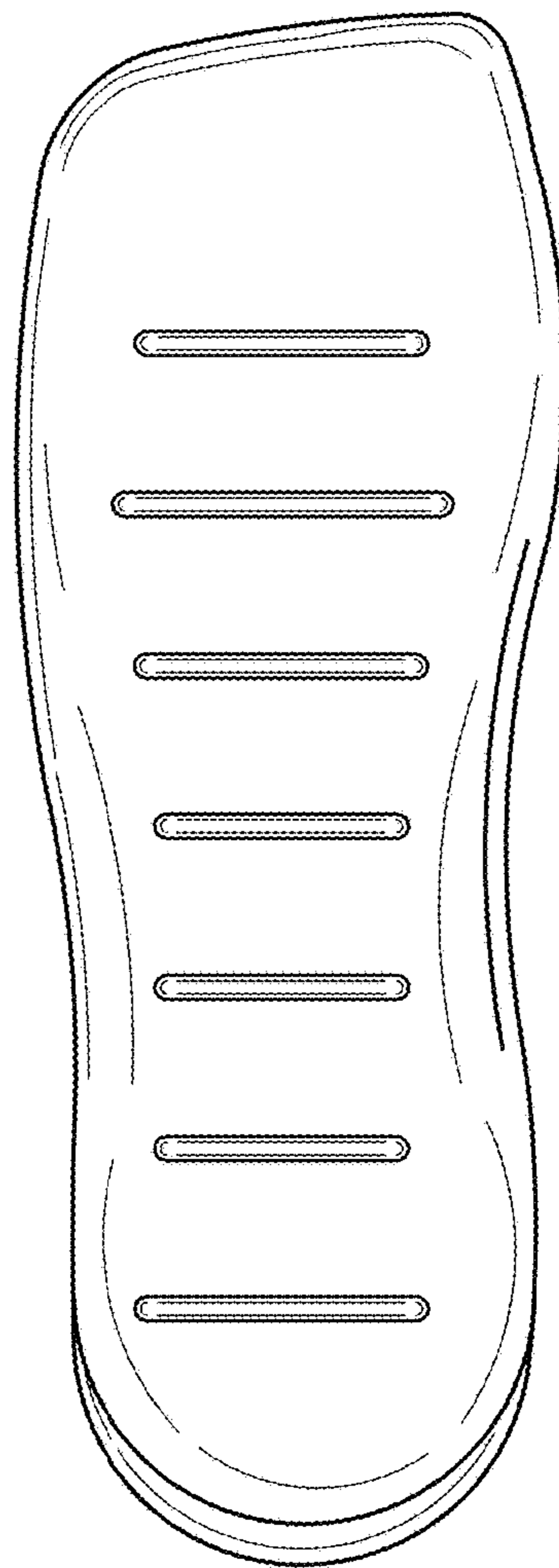


FIG. 6

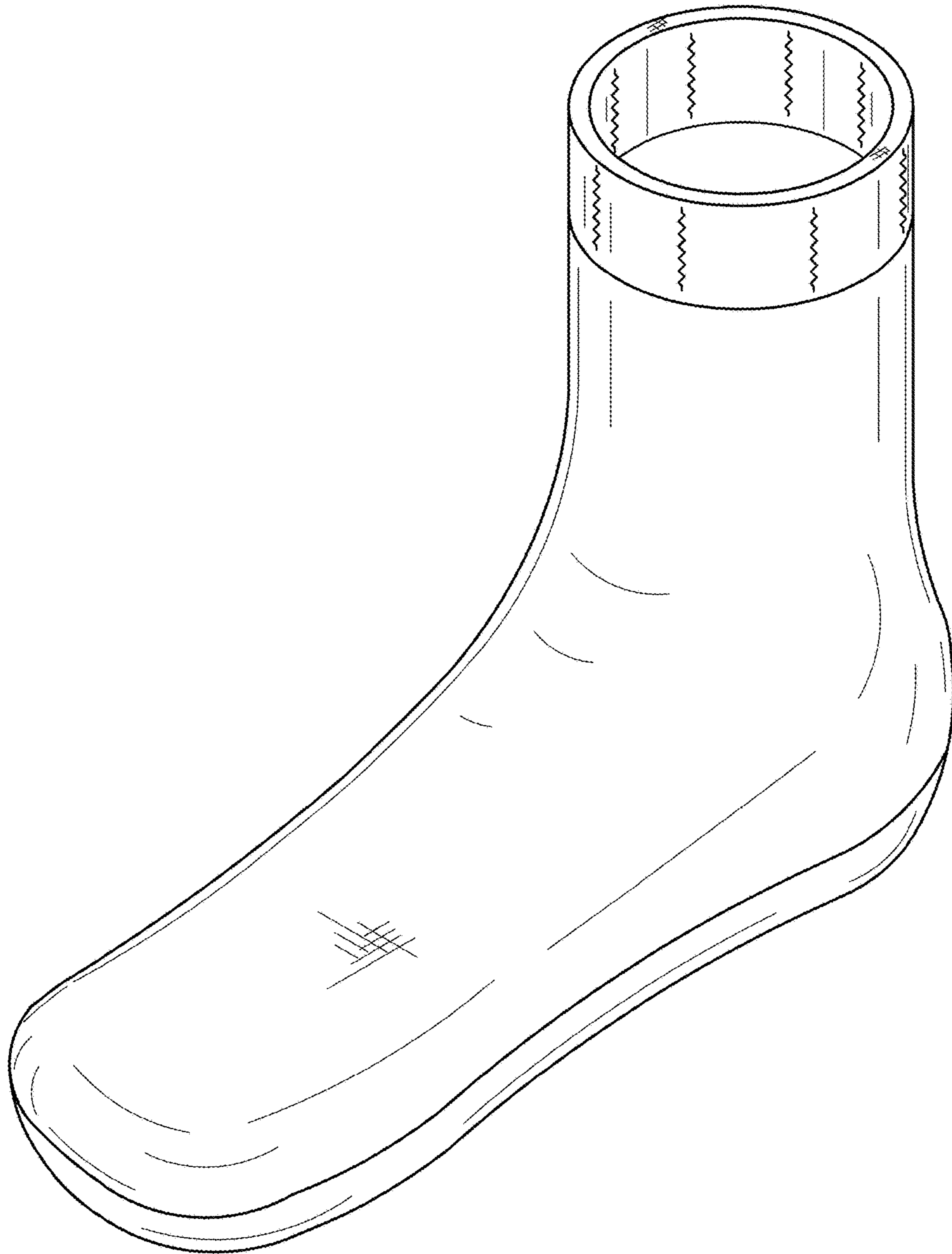


FIG. 7