



US00D778547S

(12) **United States Design Patent** (10) **Patent No.:** **US D778,547 S**
Sunness et al. (45) **Date of Patent:** **** Feb. 14, 2017**

(54) **CURVED THICK HAT BRIM**

FOREIGN PATENT DOCUMENTS

(71) Applicant: **Thiik LLC**, Scarsdale, NY (US)

KR 200451806 1/2011

(72) Inventors: **Brooke Danielle Sunness**, Scarsdale, NY (US); **Bob Robert Sunness**, Scarsdale, NY (US); **Alex John Monroe**, Toms River, NJ (US)

OTHER PUBLICATIONS

Sunness, Brooke Danielle; U.S. Patent Application entitled: Hat With Thick Brim Face having U.S. Appl. No. 14/745,807, filed Jun. 22, 2015, 42 pgs.

(73) Assignee: **THIIK LLC**, Scarsdale, NY (US)

(Continued)

(**) Term: **15 Years**

Primary Examiner — Karen E. Eldridge Powers

Assistant Examiner — Jasmine Mlinarcik

(21) Appl. No.: **29/526,981**

(74) *Attorney, Agent, or Firm* — Taylor English Duma LLP

(22) Filed: **May 14, 2015**

(51) **LOC (10) Cl.** **02-03**

(52) **U.S. Cl.**
USPC **D2/893**

(58) **Field of Classification Search**
USPC D2/865, 866, 872, 876, 878, 879, 882, D2/883, 884, 886, 887, 888, 891, 892, 893, 895
CPC A42B 1/00; A42B 1/004; A42B 1/006; A42B 1/02; A42B 1/062; A42B 1/066; A42B 1/20; A42B 1/201; A42B 1/22; A42B 1/24; A42B 1/248; A42C 5/02; A42C 5/04
See application file for complete search history.

(57) **CLAIM**

We claim the ornamental design for a curved thick hat brim, as shown and described.

DESCRIPTION

FIG. 1 is a perspective view of the claimed design.
FIG. 2 is a front elevation view thereof.
FIG. 3 is a rear elevation view thereof.
FIG. 4 is a left-side elevation view thereof.
FIG. 5 is a right-side elevation view thereof.
FIG. 6 is a top plan view thereof.
FIG. 7 is a bottom plan view thereof; and,
FIG. 8 is a perspective view of the claimed design as worn by a user in one embodiment.
The features shown in broken lines, including the broken-line text on the brim, the rows of broken lines on the top surface of the brim, and the cap portion of the hat, illustrate environmental structure that forms no part of the claimed design. In FIG. 8, the broken lines illustrating a person are included to assist in showing how the design may appear when worn and form no part of the claimed design.

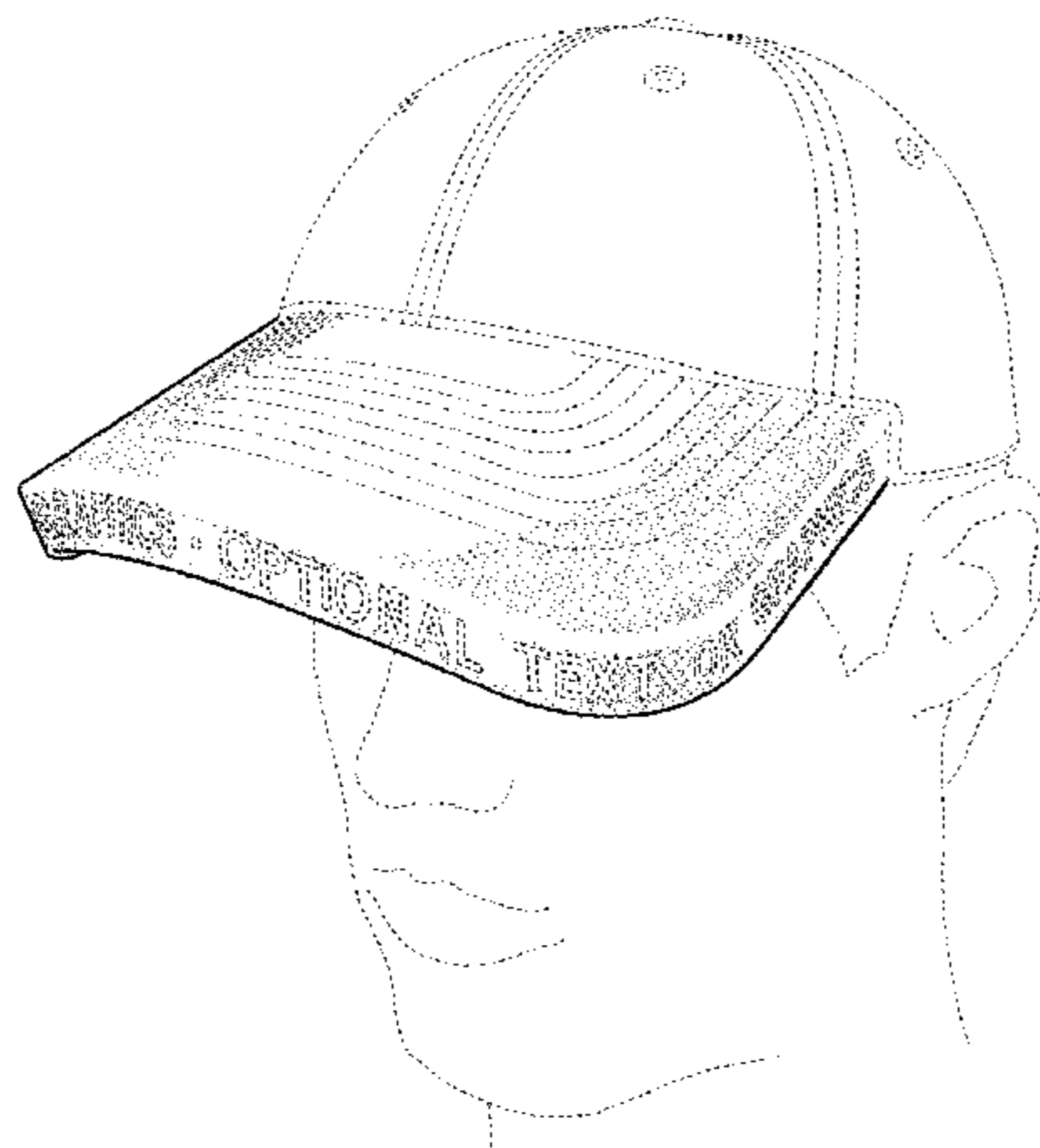
(56) **References Cited**

U.S. PATENT DOCUMENTS

2,088,930	A	8/1937	Schwarz	
3,346,876	A *	10/1967	Hutton	A42B 1/062 2/10
4,914,755	A	4/1990	Motley	
4,982,449	A	1/1991	Finkelstein	
D384,793	S *	10/1997	Brown	D2/866
5,701,607	A	12/1997	Kaiser	
5,704,070	A	1/1998	Stogner	
D401,738	S *	12/1998	Scerbo	D2/882
D405,239	S *	2/1999	Kostinko	D2/882
5,865,333	A *	2/1999	Wolfe	A42B 1/004 206/8

(Continued)

1 Claim, 5 Drawing Sheets



(56)

References Cited

U.S. PATENT DOCUMENTS

5,983,398 A * 11/1999 Kronenberger A42B 1/06
2/181
D417,334 S * 12/1999 Wands D2/893
6,370,696 B1 * 4/2002 Kronenberger A42B 1/248
2/175.1
6,588,021 B2 7/2003 Kronenberger
RE38,394 E * 1/2004 Morse A42B 1/248
2/195.1
D492,094 S * 6/2004 Park D2/893
D499,231 S * 12/2004 Toppel D2/882
D521,713 S 5/2006 Cho
7,073,206 B2 7/2006 Yan
7,178,173 B2 2/2007 Kronenberger
D566,380 S * 4/2008 Galvan D2/882
D592,834 S * 5/2009 Keiser D2/884
7,581,261 B2 * 9/2009 Cho A42B 1/062
2/183
D635,743 S * 4/2011 Johnson D2/882
D637,797 S * 5/2011 Kim D2/893
D654,251 S * 2/2012 Alkas-Shamoun D2/882
8,550,651 B2 10/2013 Waters
D702,928 S * 4/2014 White D2/882
D709,675 S * 7/2014 Cho D2/882
D712,635 S * 9/2014 Rivas D2/882
D716,528 S * 11/2014 Badish D2/882
8,973,166 B1 3/2015 Engle
D732,803 S * 6/2015 Popovich D2/893
9,179,720 B1 * 11/2015 Bonadio, Jr. A41D 27/08
D774,734 S 12/2016 Sunness et al.
2002/0042941 A1 4/2002 Grundy
2004/0194192 A1 10/2004 Cho
2005/0172380 A1 8/2005 Turkington
2007/0022517 A1 * 2/2007 Kronenberger A42B 1/004
2/195.1
2009/0119819 A1 * 5/2009 Thompson A42B 1/002
2/209.13
2010/0064419 A1 3/2010 Lee
2012/0297522 A1 11/2012 Treger et al.
2014/0338098 A1 11/2014 Kelly et al.
2014/0338103 A1 11/2014 Tsai

OTHER PUBLICATIONS

Sunness, Brooke Danielle; U.S. Design Patent Application entitled:

Hat With Flat Thick Brim having U.S. Appl. No. 29/526,972, filed May 14, 2015, 6 pgs.
Sunness, Brooke Danielle; U.S. Design Patent Application entitled: Hat With Curved Thick Brim having U.S. Appl. No. 29/526,975, filed May 14, 2015, 6 pgs.
Sunness, Brooke Danielle; U.S. Design Patent Application entitled: Flat Thick Hat Brim having U.S. Appl. No. 29/526,980, filed May 14, 2015, 6 pgs.
Article entitled: "Baseball Cap", located at <http://www.madehow.com/Volume-4/Baseball-Cap.html>, accessed on May 20, 2015, 5 pgs.
Thread2Head; Article entitled "Customized Cap Bill", located at <http://thread2head.com/?p=421>, accessed on Apr. 16, 2015, 2 pgs.
Sunness, Bob Robert; International Search Report and Written Opinion for Application No. PCT/US15/60794, filed Nov. 16, 2015, mailed Jan. 28, 2016, 8 pgs.
Sunness, Bob Robert; PCT Application entitled: Hat With Thick Brim Face having U.S. Appl. No. PCT/US15/60794, filed Nov. 16, 2015, 42 pgs.
On Scene, Inc. Base Ball Hats/Caps. Archived copy from Feb. 25, 2015 [retrieved on Jan. 7, 2016] Retrieved from the Internet: <URL: <https://web.archive.org/web/20150225044400/http://www.onsceneinc.com/baseball-hats-caps/>> entire document, 9 pgs.
THiiK, LLC; Office Action for Canadian Application No. 165,332, filed Nov. 13, 2015, mailed Feb. 9, 2016, 4 pgs.
Sunness, Brooke Danielle; Applicant Initiated Interview Summary for U.S. Appl. No. 29/526,972, filed May 14, 2015, mailed Apr. 15, 2016, 4 pgs.
Sunness, Brooke Danielle; Non-Final Office Action for U.S. Appl. No. 29/526,972, filed May 14, 2015, mailed Mar. 23, 2016, 15 pgs.
Sunness, Brooke Danielle; Office Action for Canadian design application No. 168,935, filed Nov. 13, 2015, mailed Jul. 19, 2016, 2 pgs.
Sunness, Brooke Danielle; Notice of Allowance for U.S. Appl. No. 29/526,972, filed May 14, 2015, mailed Oct. 6, 2016; 19 pgs.
Sunness, Brooke Danielle; Non-Final Office Action for U.S. Appl. No. 29/526,975, filed May 14, 2015, mailed Sep. 7, 2016; 18 pgs.
Sunness, Brooke Danielle; Ex Parte Quayle Action for U.S. Appl. No. 29/526,980, filed May 14, 2015, mailed Sep. 9, 2016, 17 pgs.
Sunness, Brooke Danielle; Issue Notification for U.S. Appl. No. 29/526,972, filed May 14, 2015, mailed Dec. 7, 2016; 1 pg.
Sunness, Brooke Danielle; Notice of Allowance for U.S. Appl. No. 29/526,975, filed May 14, 2015, mailed Dec. 20, 2016, 9 pgs.
Sunness, Brooke Danielle; Notice of Allowance for U.S. Appl. No. 29/526,980, filed May 14, 2015, mailed Dec. 5, 2016; 7 pgs.

* cited by examiner

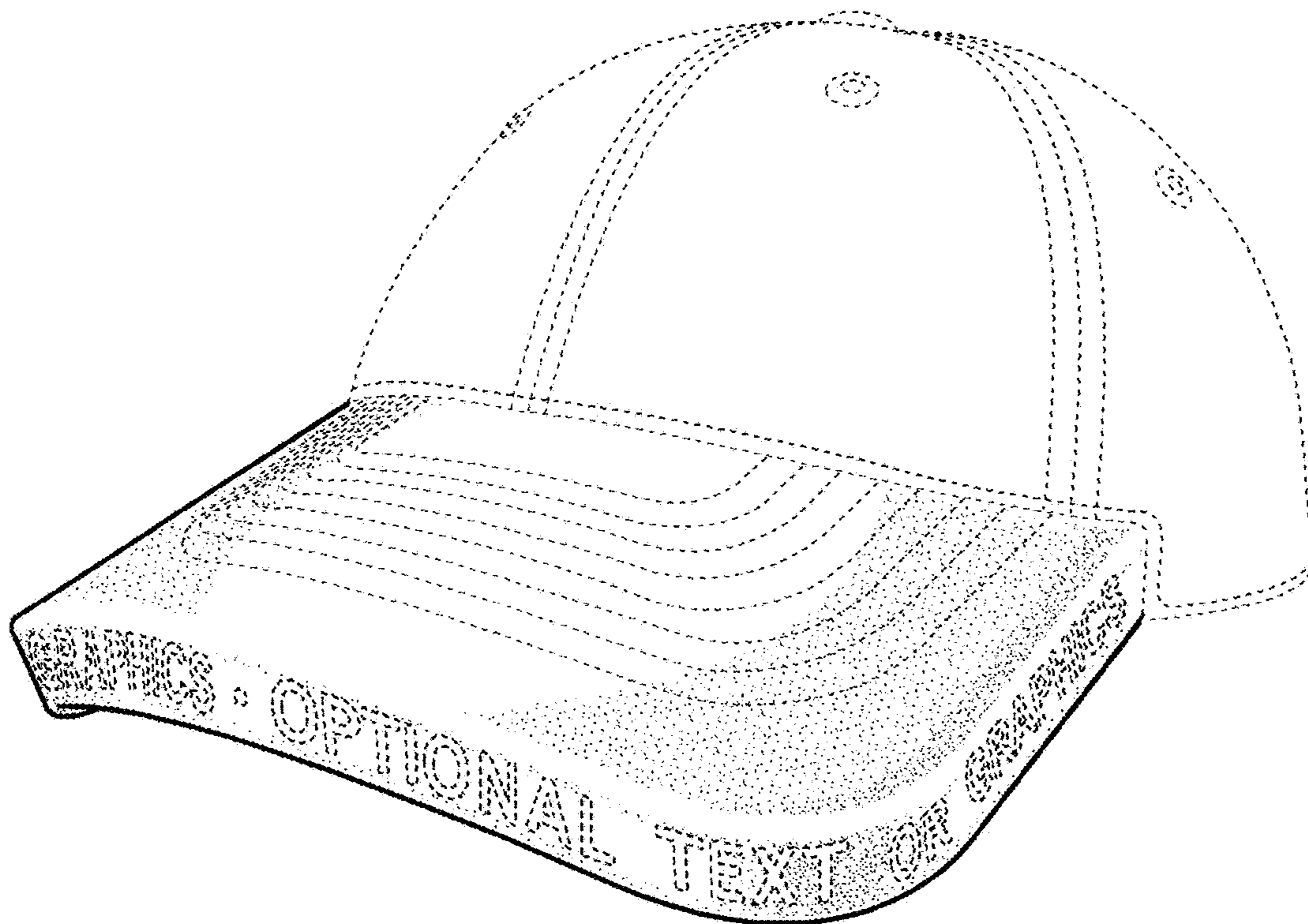


FIG. 1

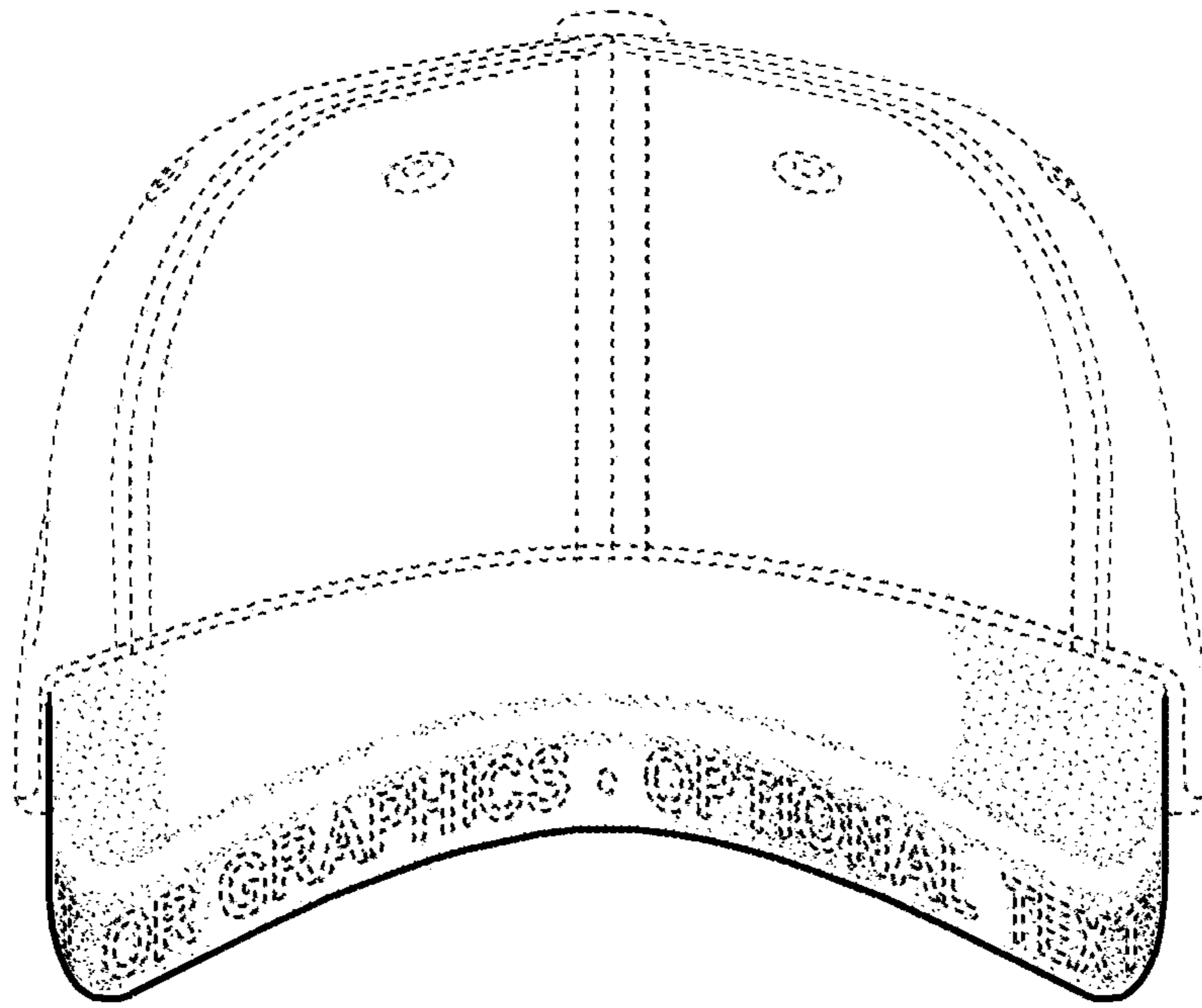


FIG. 2

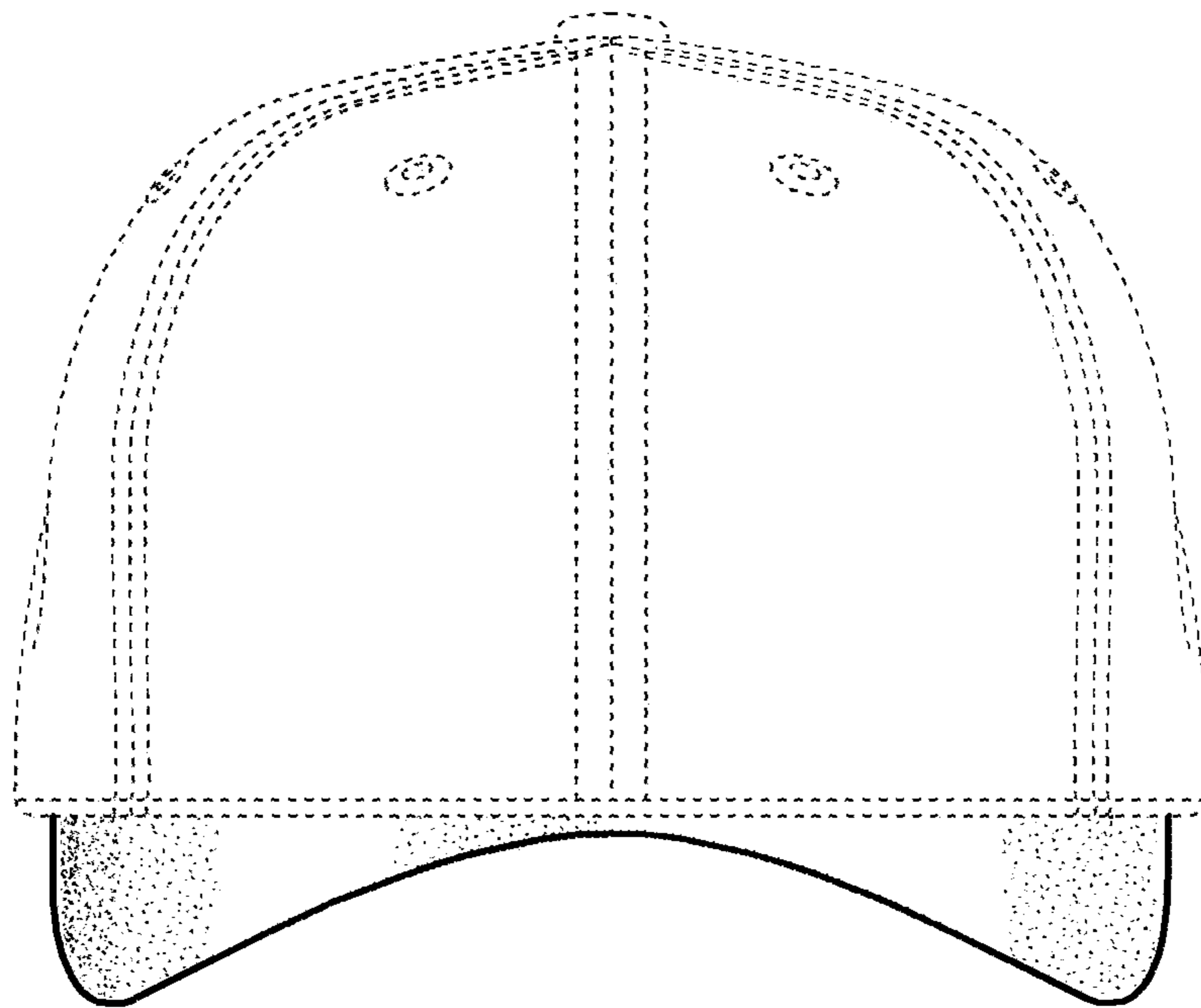


FIG. 3

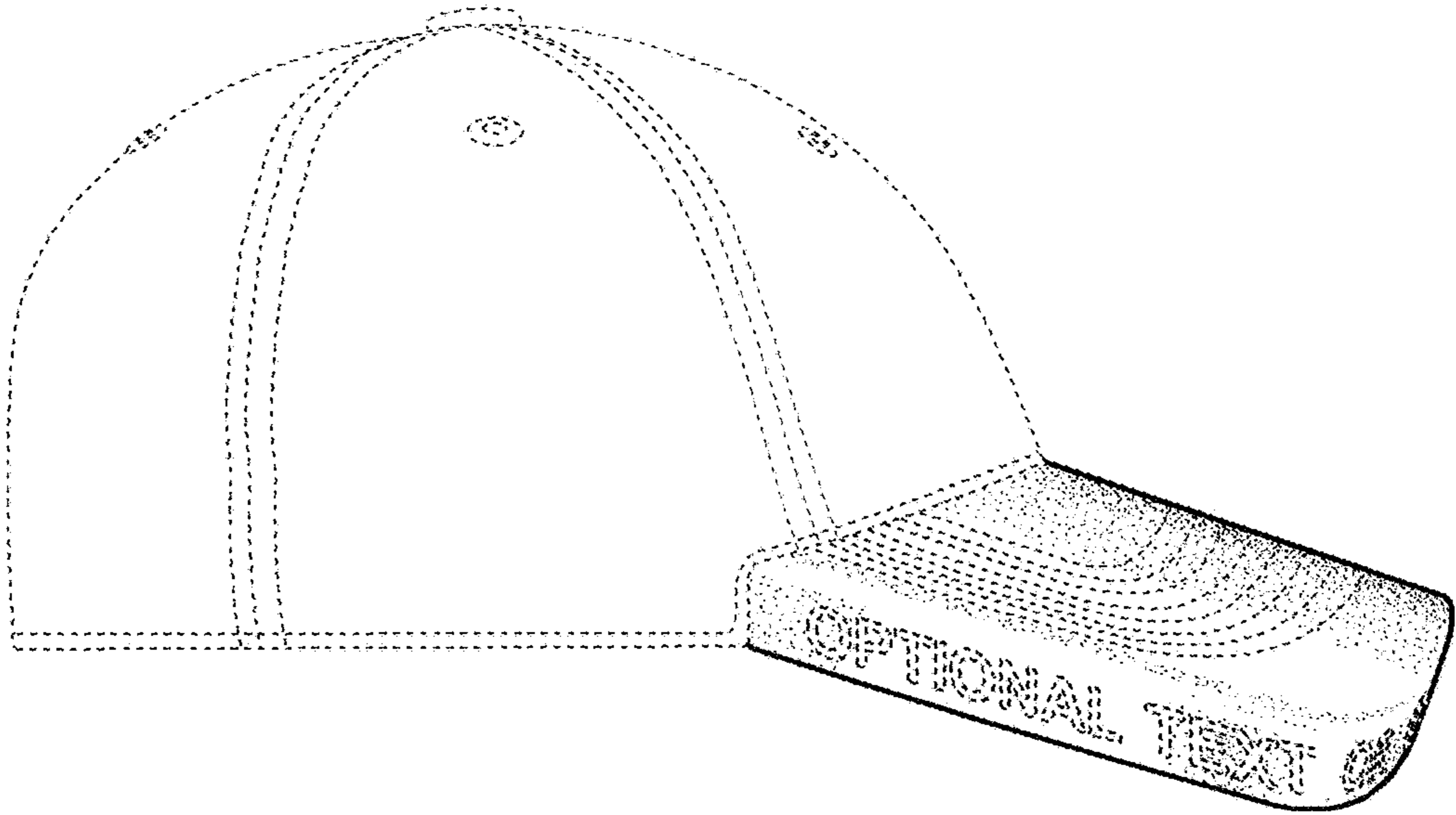


FIG. 4

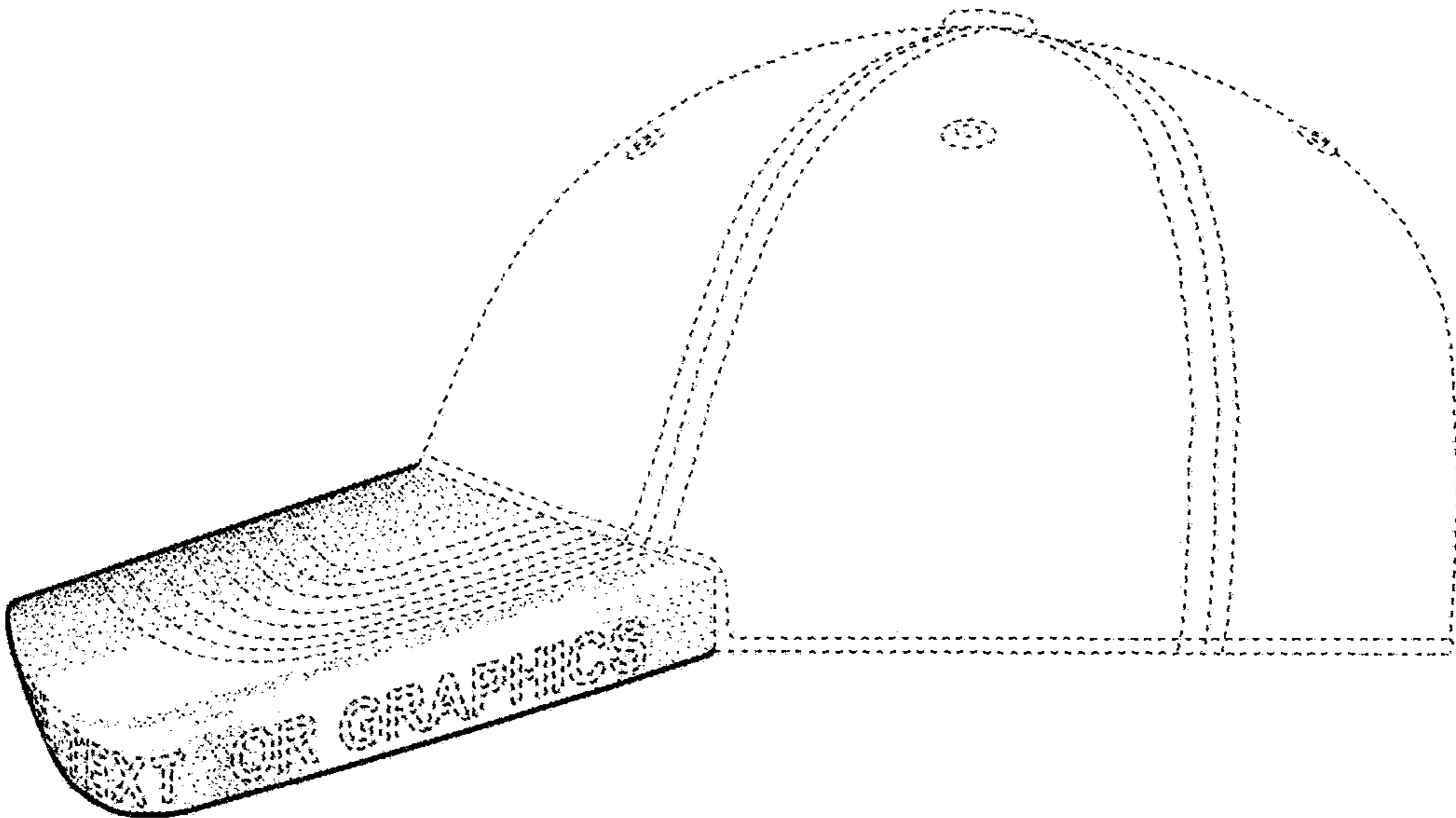


FIG. 5

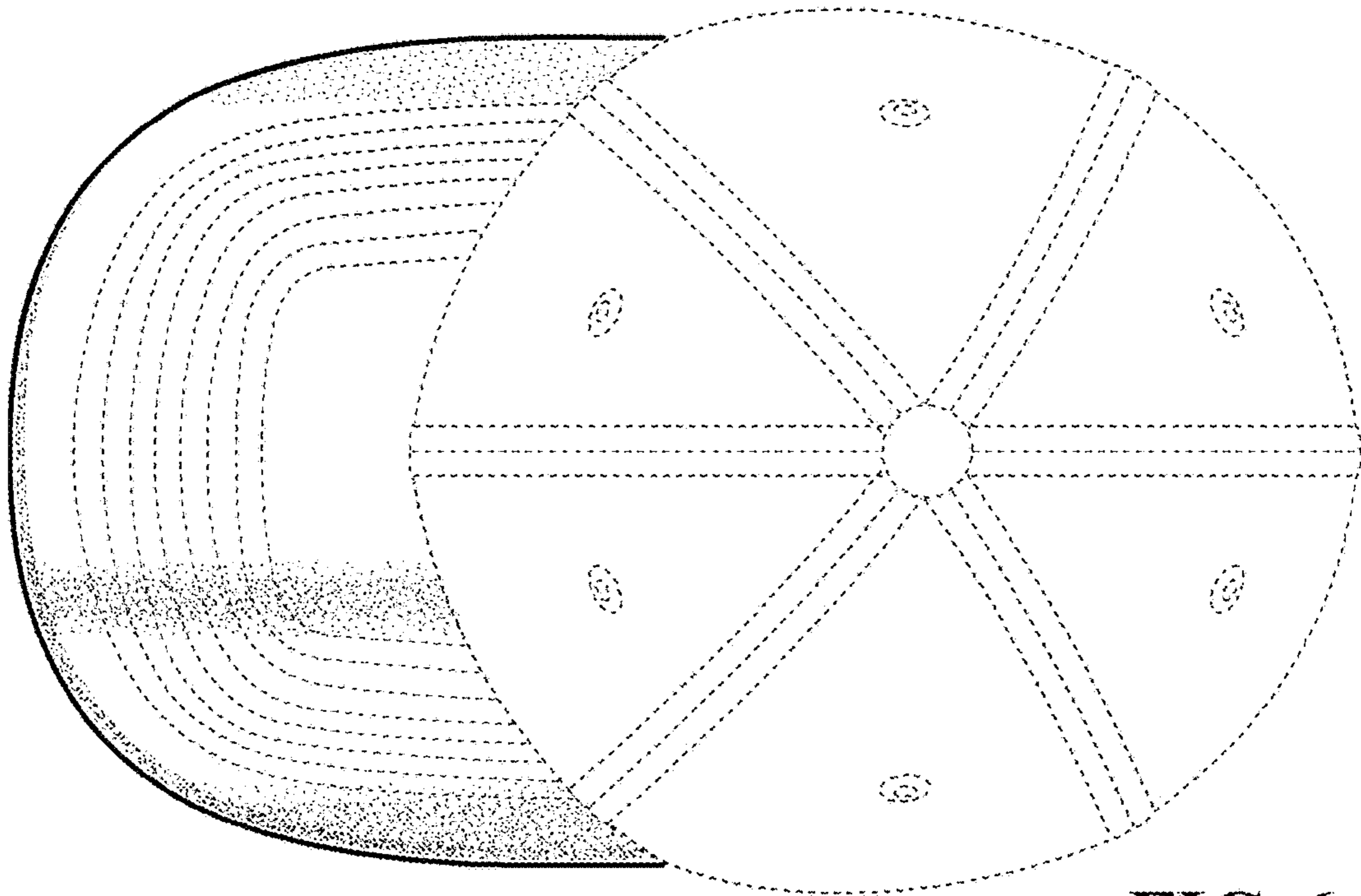


FIG. 6

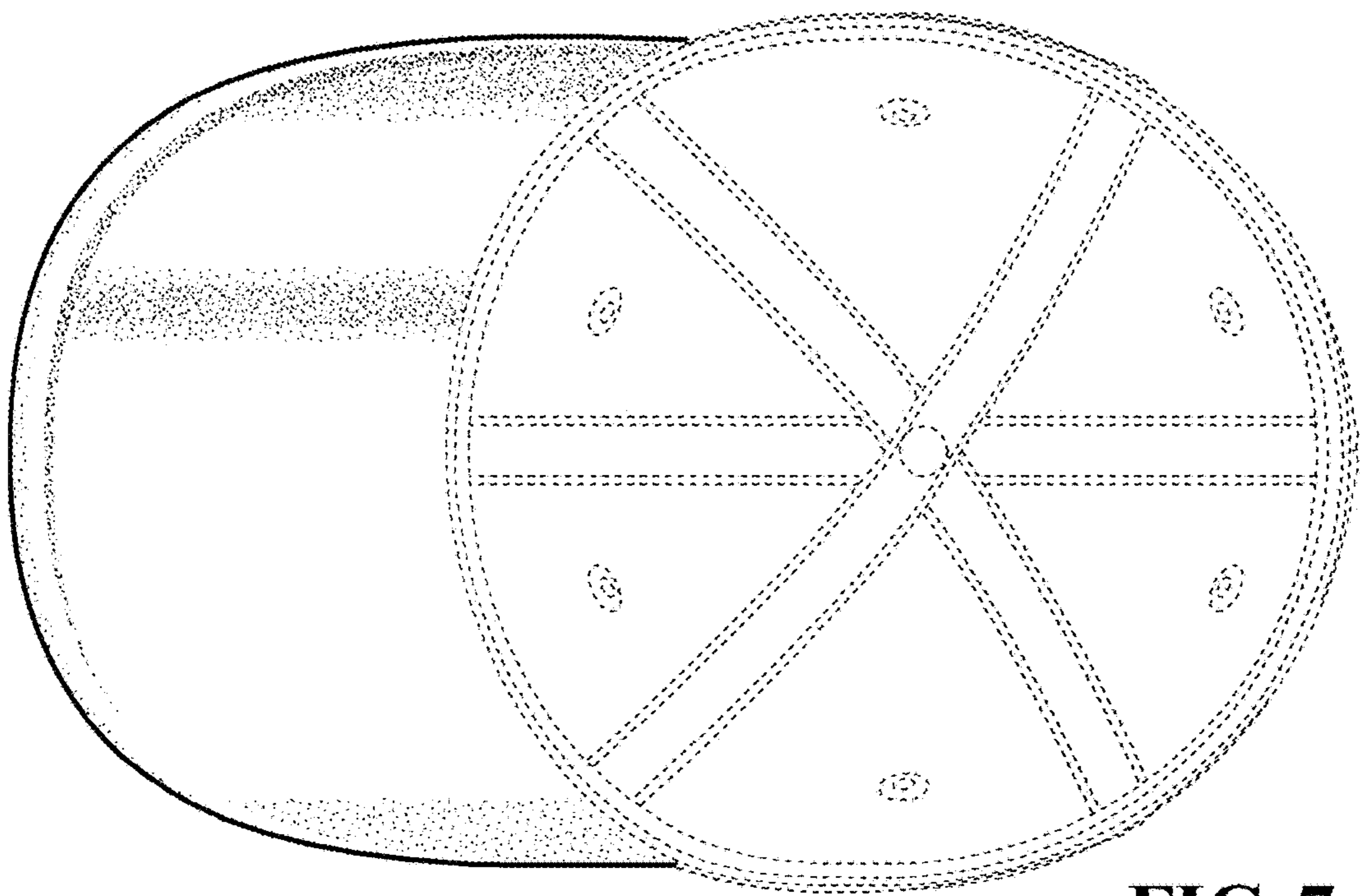


FIG. 7

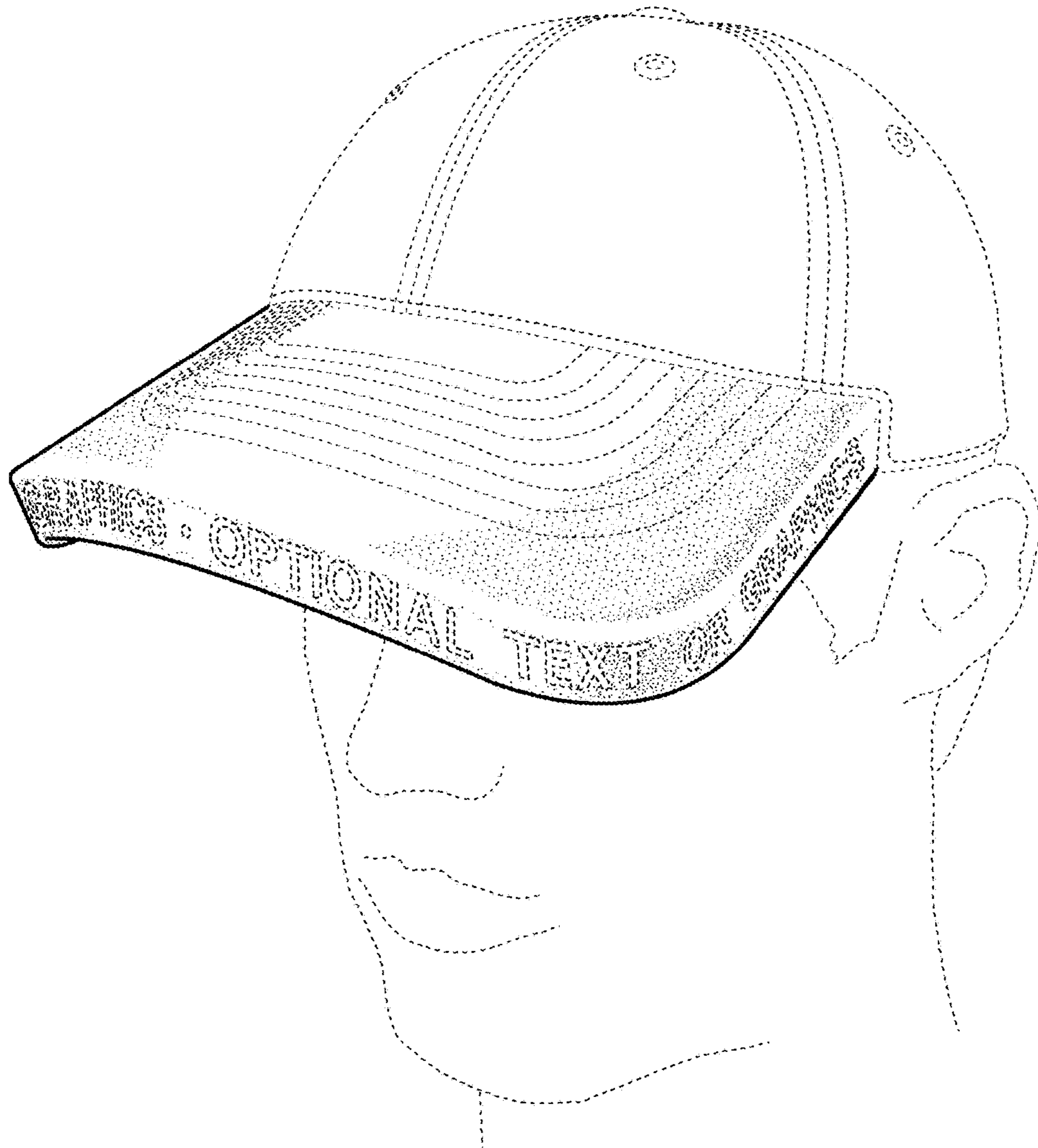


FIG. 8