



US00D778545S

(12) **United States Design Patent** (10) **Patent No.:** **US D778,545 S**
Sunness et al. (45) **Date of Patent:** **** Feb. 14, 2017**

(54) **HAT WITH CURVED THICK BRIM**
(71) Applicant: **THiik LLC**, Scarsdale, NY (US)
(72) Inventors: **Brooke Danielle Sunness**, Scarsdale, NY (US); **Bob Robert Sunness**, Scarsdale, NY (US); **Alex John Monroe**, Toms River, NJ (US)
(73) Assignee: **THiik LLC**, Scarsdale, NY (US)
(**) Term: **15 Years**
(21) Appl. No.: **29/526,975**
(22) Filed: **May 14, 2015**
(51) **LOC (10) Cl.** **02-03**
(52) **U.S. Cl.**
USPC **D2/882**
(58) **Field of Classification Search**
USPC D2/865, 866, 872, 876, 878, 879, 882, D2/883, 884, 886, 887, 888, 891, 892, D2/893, 895
CPC A42B 1/00; A42B 1/004; A42B 1/006; A42B 1/02; A42B 1/062; A42B 1/066; A42B 1/20; A42B 1/201; A42B 1/22; A42B 1/24; A42B 1/248; A42C 5/02; A42C 5/04
See application file for complete search history.

(56) **References Cited**
U.S. PATENT DOCUMENTS
2,088,930 A 8/1937 Schwarz
3,346,876 A * 10/1967 Hutton A42B 1/062
2/10
4,914,755 A 4/1990 Motley
4,982,449 A 1/1991 Finkelstein
D384,793 S * 10/1997 Brown D2/866
5,701,607 A 12/1997 Kaiser
5,704,070 A 1/1998 Stogner

D401,738 S * 12/1998 Scerbo D2/882
D405,239 S * 2/1999 Kostinko D2/882
5,865,333 A * 2/1999 Wolfe A42B 1/004
206/8

(Continued)

FOREIGN PATENT DOCUMENTS

KR 200451806 1/2011

OTHER PUBLICATIONS

THiik, LLC; Office Action for Canadian Application No. 165,332, filed Nov. 13, 2015, mailed Feb. 9, 2016, 4 pgs.

(Continued)

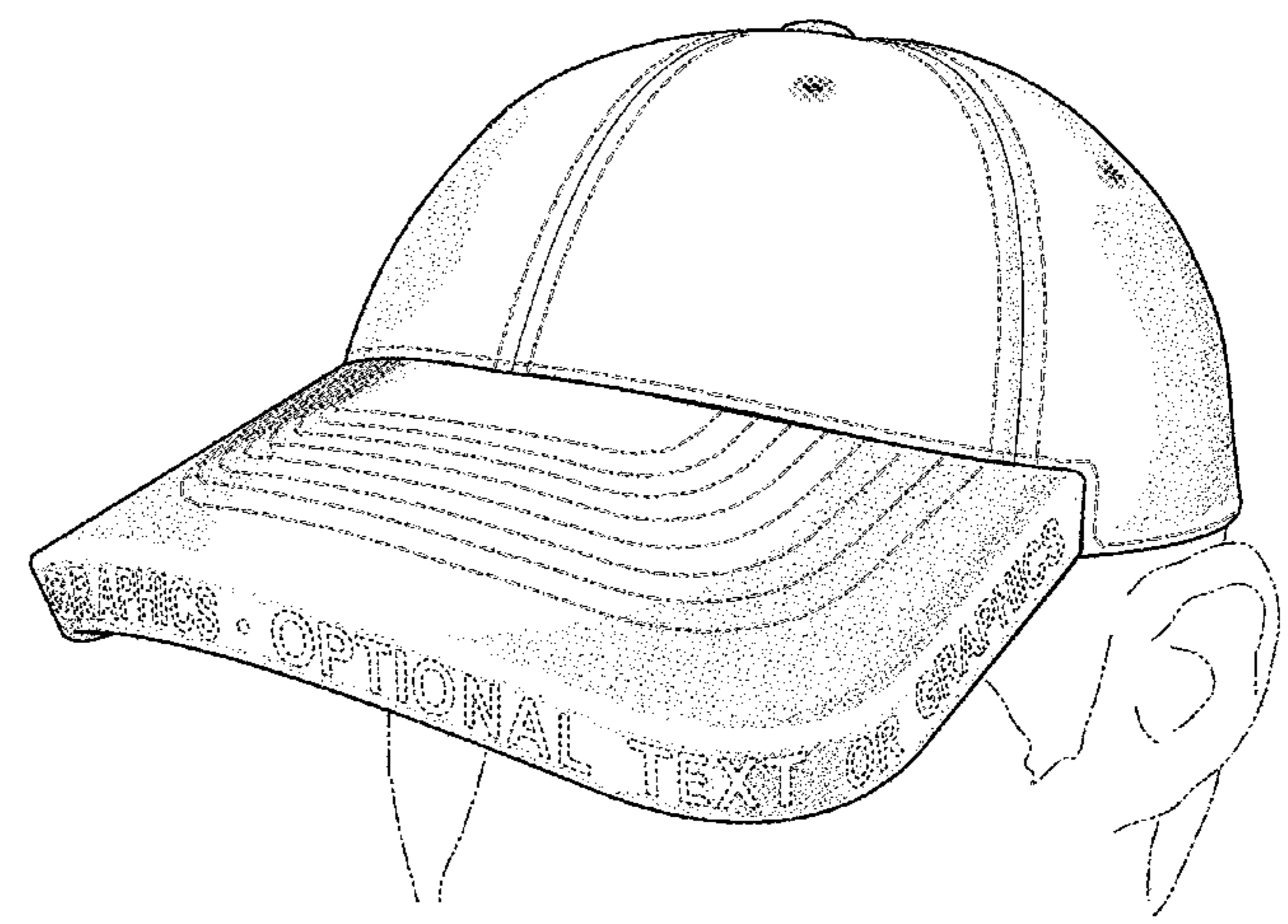
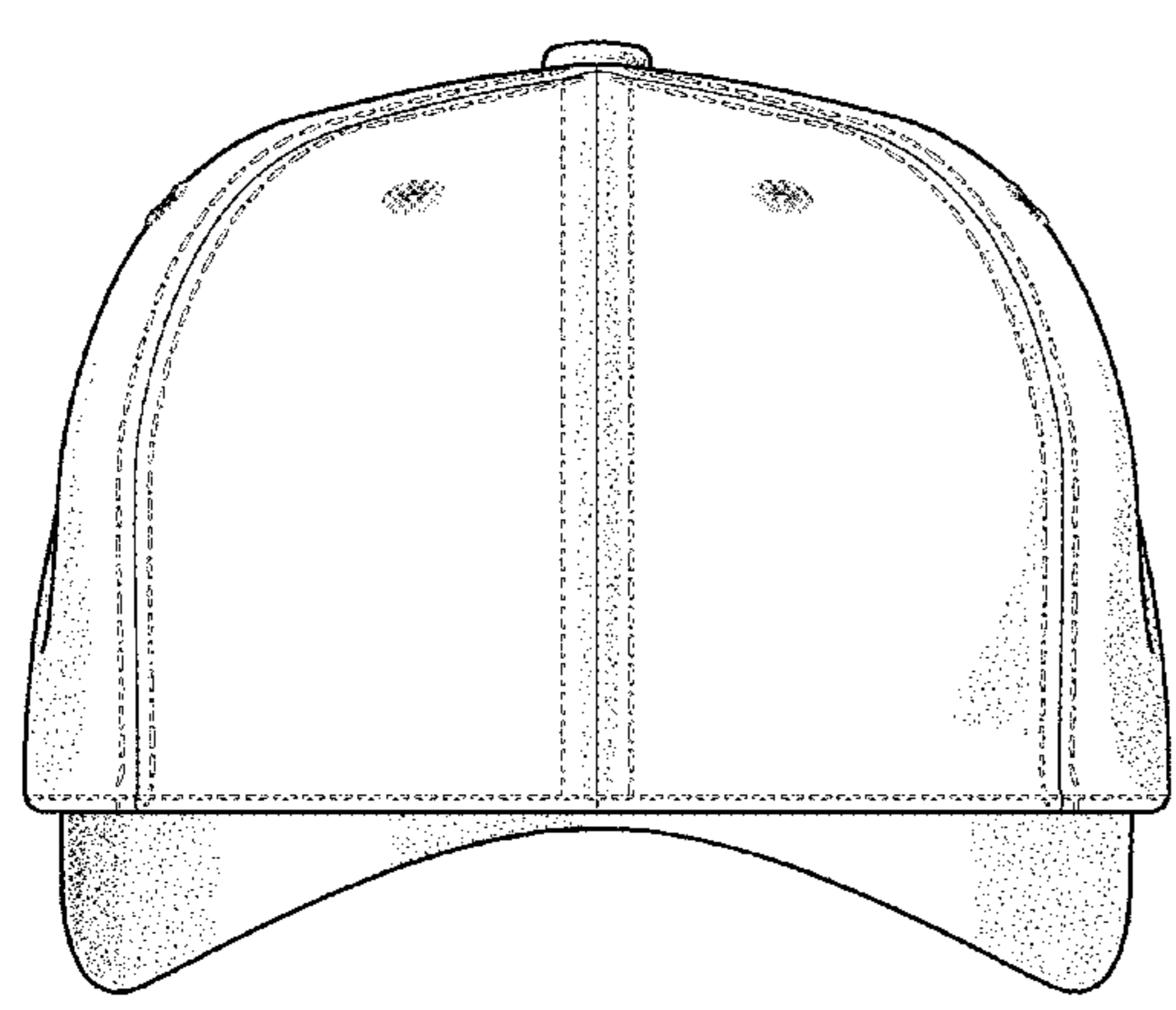
Primary Examiner — Karen E. Eldridge Powers
Assistant Examiner — Jasmine Mlinarcik
(74) *Attorney, Agent, or Firm* — Taylor English Duman LLP

(57) **CLAIM**
We claim the ornamental design for a hat with a curved thick brim, as shown and described.

DESCRIPTION

FIG. 1 is a perspective view of the claimed design.
FIG. 2 is a front elevation view thereof.
FIG. 3 is a rear elevation view thereof.
FIG. 4 is a left-side elevation view thereof.
FIG. 5 is a right-side elevation view thereof.
FIG. 6 is a top plan view thereof.
FIG. 7 is a bottom plan view thereof; and,
FIG. 8 is a perspective view of the claimed design as worn by a user in one embodiment.
The broken line lettering illustrates environmental structure and forms no part of the claimed design. In FIG. 8, the person illustrated in dot-dash broken lines is environmental subject matter included to assist in showing how the design may appear when worn and forms no part of the claimed design.

1 Claim, 8 Drawing Sheets



(56)

References Cited

U.S. PATENT DOCUMENTS

5,983,398 A * 11/1999 Kronenberger A42B 1/06
2/181
D417,334 S * 12/1999 Wands D2/893
6,370,696 B1 * 4/2002 Kronenberger A42B 1/248
2/175.1
6,588,021 B2 7/2003 Kronenberger
RE38,394 E * 1/2004 Morse A42B 1/248
2/195.1
D492,094 S * 6/2004 Park D2/893
D499,231 S * 12/2004 Toppel D2/882
D521,713 S 5/2006 Cho
7,073,206 B2 7/2006 Yan
7,178,173 B2 2/2007 Kronenberger
D566,380 S * 4/2008 Galvan D2/882
D592,834 S * 5/2009 Keiser D2/884
7,581,261 B2 * 9/2009 Cho A42B 1/062
2/183
D635,743 S * 4/2011 Johnson D2/882
D637,797 S * 5/2011 Kim D2/893
D654,251 S * 2/2012 Alkas-Shamoun D2/882
8,550,651 B2 10/2013 Waters
D702,928 S * 4/2014 White D2/882
D709,675 S * 7/2014 Cho D2/882
D712,635 S * 9/2014 Rivas D2/882
D716,528 S * 11/2014 Badish D2/882
8,973,166 B1 3/2015 Engle
D732,803 S * 6/2015 Popovich D2/893
9,179,720 B1 * 11/2015 Bonadio, Jr. A41D 27/08
D774,734 S 12/2016 Sunness et al.
2002/0042941 A1 4/2002 Grundy
2004/0194192 A1 10/2004 Cho
2005/0172380 A1 8/2005 Turkington
2007/0022517 A1 * 2/2007 Kronenberger A42B 1/004
2/195.1
2009/0119819 A1 * 5/2009 Thompson A42B 1/002
2/209.13
2010/0064419 A1 3/2010 Lee
2012/0297522 A1 11/2012 Treger et al.
2014/0338098 A1 11/2014 Kelly et al.
2014/0338103 A1 11/2014 Tsai

OTHER PUBLICATIONS

Sunness, Brooke Danielle; Applicant Initiated Interview Summary
for U.S. Appl. No. 29/526,972, filed May 14, 2015, mailed Apr. 15,
2016, 4 pgs.

Sunness, Brooke Danielle; Non-Final Office Action for U.S. Appl.
No. 29/526,972, filed May 14, 2015, mailed Mar. 23, 2016, 15 pgs.
Sunness, Bob Robert; International Search Report and Written
Opinion for Application No. PCT/US15/60794, filed Nov. 16, 2015,
mailed Jan. 28, 2016, 8 pgs.
Sunness, Bob Robert; PCT Application entitled: Hat With Thick
Brim Face having serial No. PCT/US15/60794, filed Nov. 16, 2015,
42 pgs.
On Scene, Inc. Base Ball Hats/Caps. Archived copy from Feb. 25,
2015 [retrieved on Jan. 7, 2016] Retrieved from the Internet: <URL:
<https://web.archive.org/web/20150225044400/http://www.onsceneinc.com/baseball-hats-caps/>> entire document, 9 pgs.
Sunness, Brooke Danielle; U.S. Patent Application entitled: Hat
With Thick Brim Face having U.S. Appl. No. 14/745,807, filed Jun.
22, 2015, 42 pgs.
Sunness, Brooke Danielle; U.S. Design Patent Application entitled:
Hat With Flat Thick Brim having U.S. Appl. No. 29/526,972, filed
May 14, 2015, 6 pgs.
Sunness, Brooke Danielle; U.S. Design Patent Application entitled:
Flat Thick Hat Brim having U.S. Appl. No. 29/526,980, filed May
14, 2015, 6 pgs.
Sunness, Brooke Danielle; U.S. Design Patent Application entitled:
Curved Thick Hat Brim having U.S. Appl. No. 29/526,981, filed
May 14, 2015, 6 pgs.
Article entitled: "Baseball Cap", located at <http://www.madehow.com/Volume-4/Baseball-Cap.html>>, accessed on May 20, 2015, 5
pgs.
Thread2Head; Article entitled "Customized Cap Bill", located at
<http://thread2head.com/?p=421>>, accessed on Apr. 16, 2015, 2 pgs.
Sunness, Brooke Danielle; Office Action for Canadian design appli-
cation No. 168,935, filed Nov. 13, 2015, mailed Jul. 19, 2016, 2 pgs.
Sunness, Brooke Danielle; Notice of Allowance for U.S. Appl. No.
29/526,972, filed May 14, 2015, mailed Oct. 6, 2016; 19 pgs.
Sunness, Brooke Danielle; Ex Parte Quayle Action for U.S. Appl.
No. 29/526,980, filed May 14, 2015, mailed Sep. 9, 2016, 17 pgs.
Sunness, Brooke Danielle; Ex Parte Quayle for U.S. Appl. No.
29/526,981, filed May 14, 2015, mailed Sep. 7, 2016; 17 pgs.
Sunness, Brooke Danielle; Issue Notification for U.S. Appl. No.
29/526,972, filed May 14, 2015, mailed Dec. 17, 2016; 1 pg.
Sunness, Brooke Danielle; Notice of Allowance for U.S. Appl. No.
29/526,980, filed May 14, 2015, mailed Dec. 5, 2016; 7 pgs.
Sunness, Brooke Danielle; Notice of Allowance for U.S. Appl. No.
29/526,981, filed May 14, 2015, mailed Dec. 2, 2016; 9 pgs.

* cited by examiner

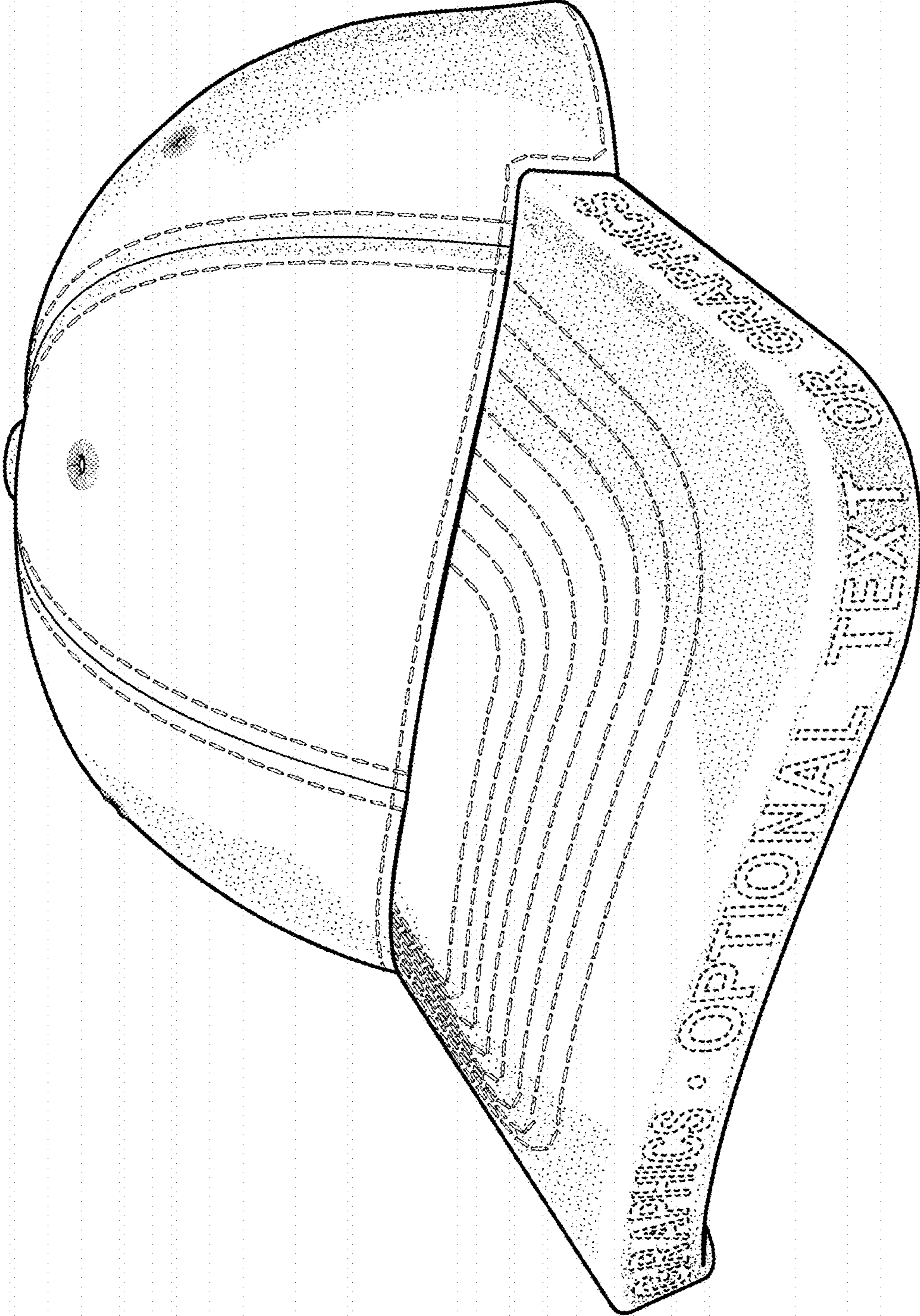


FIG. 1

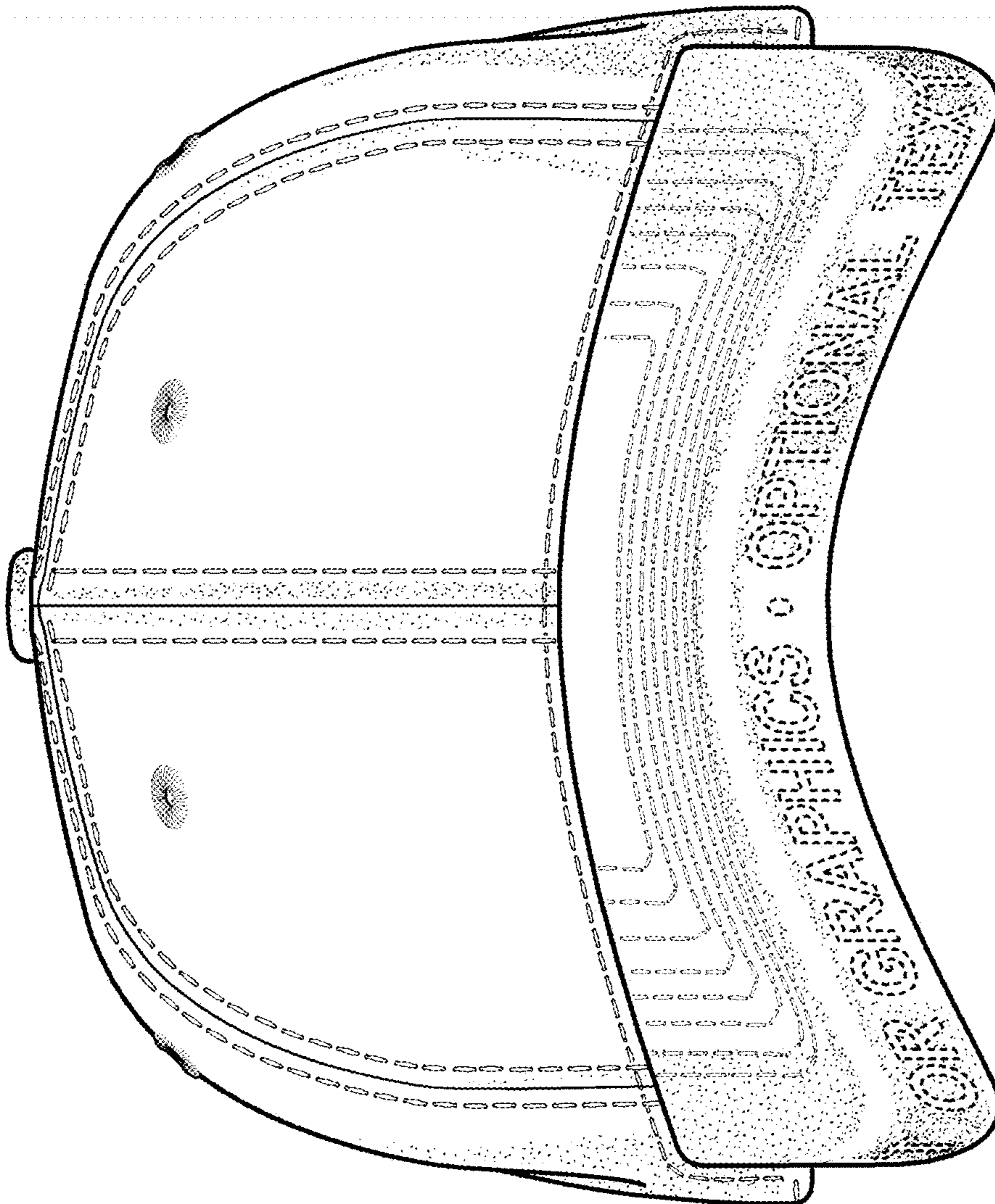


FIG. 2

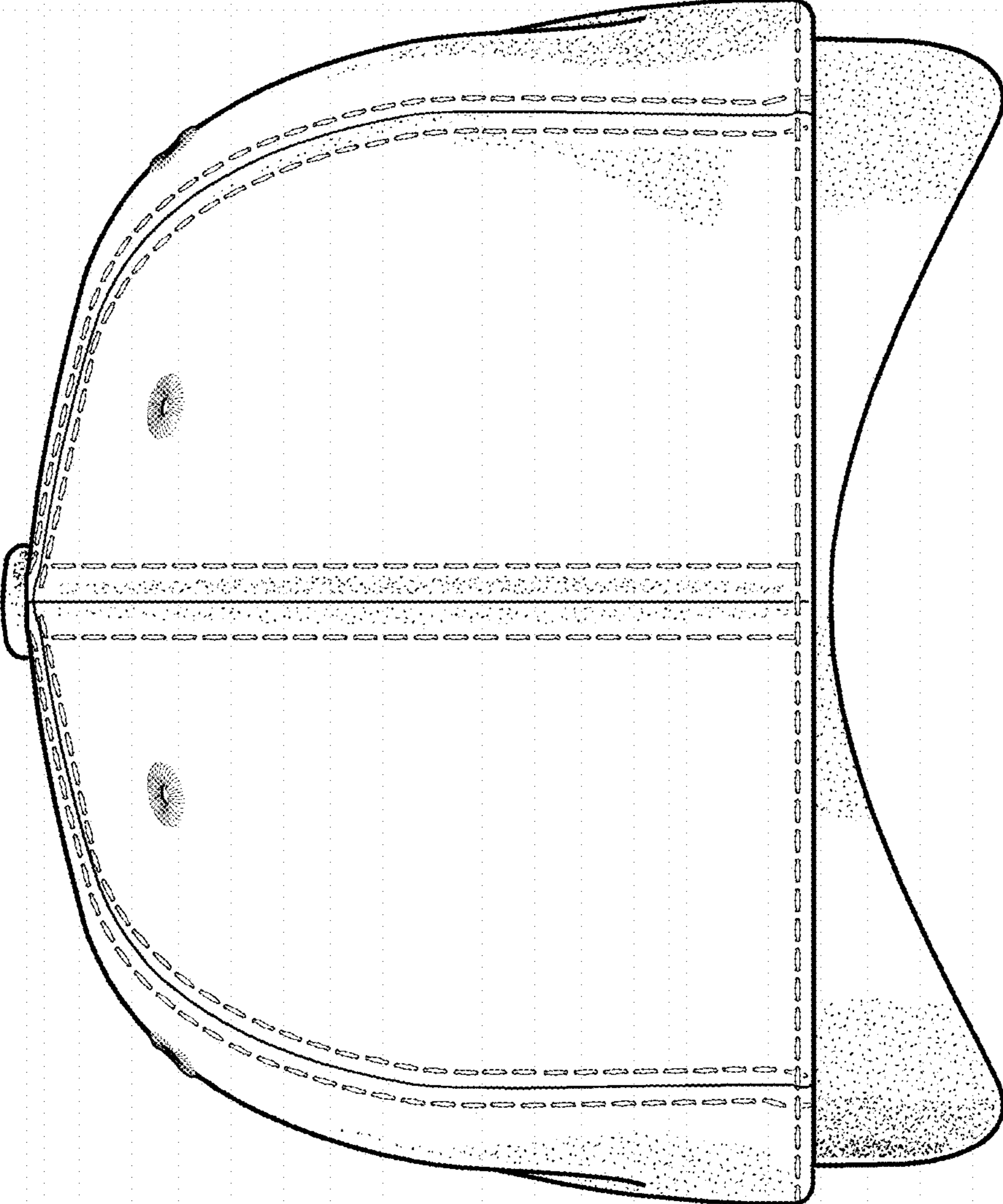


FIG. 3

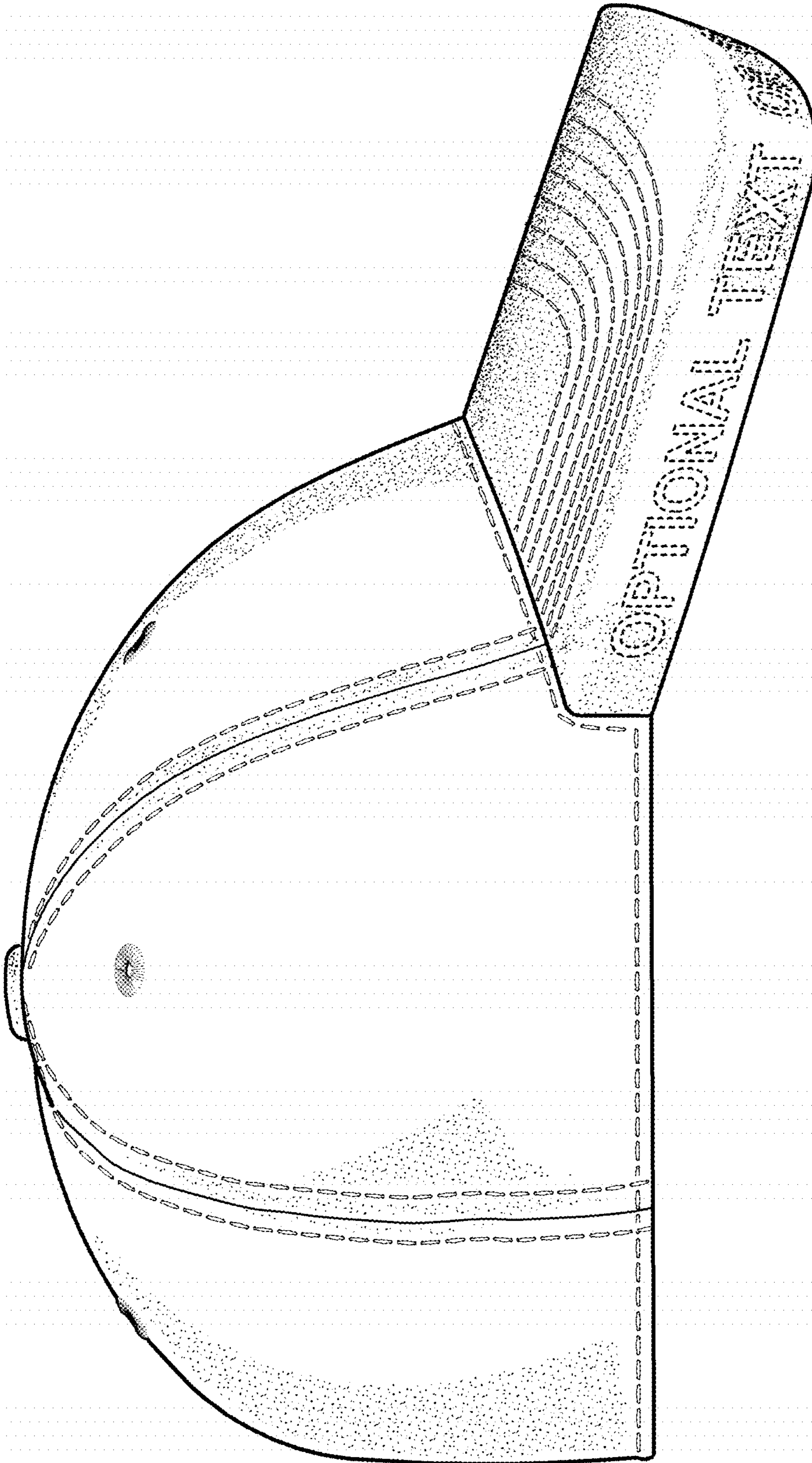


FIG. 4

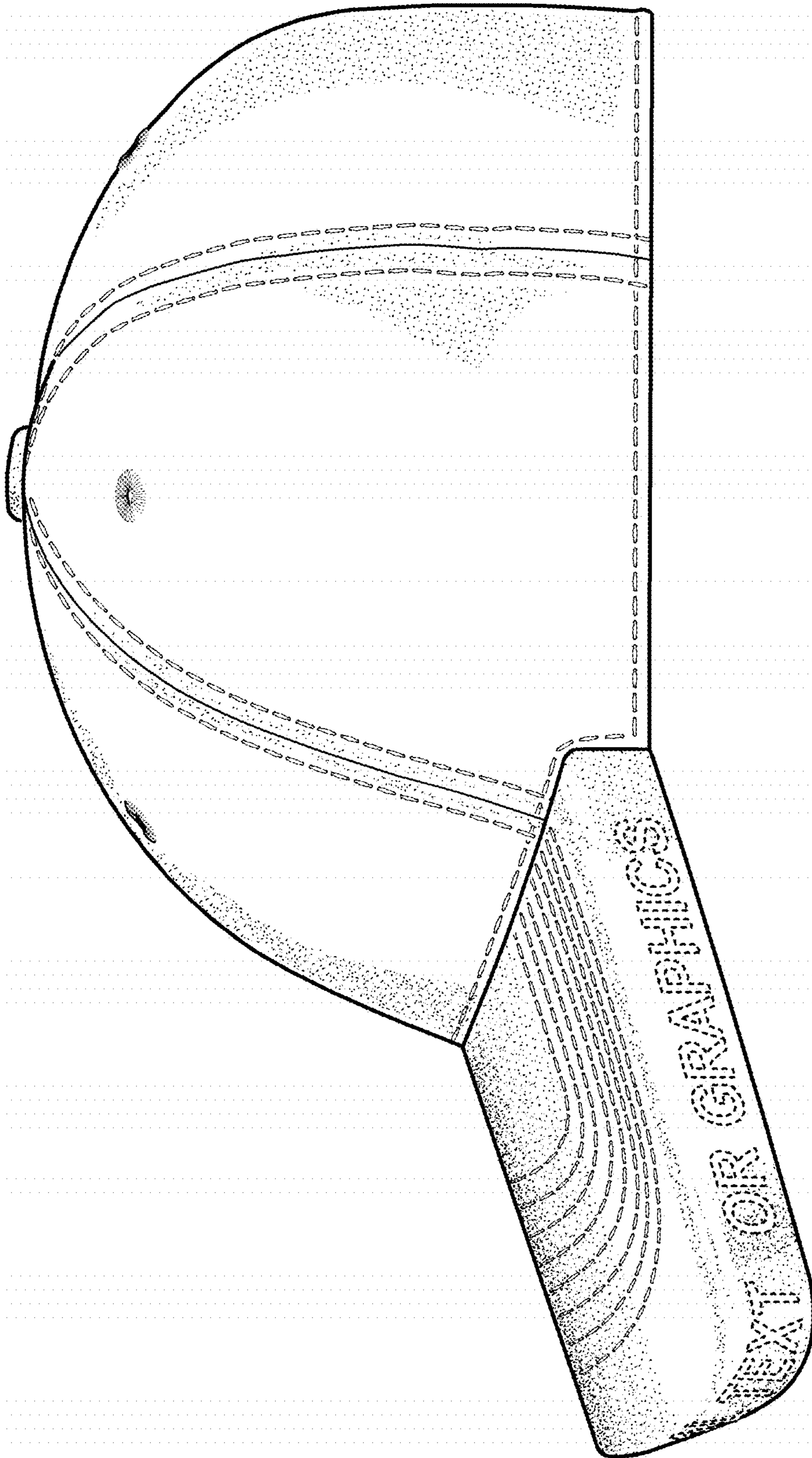


FIG. 5

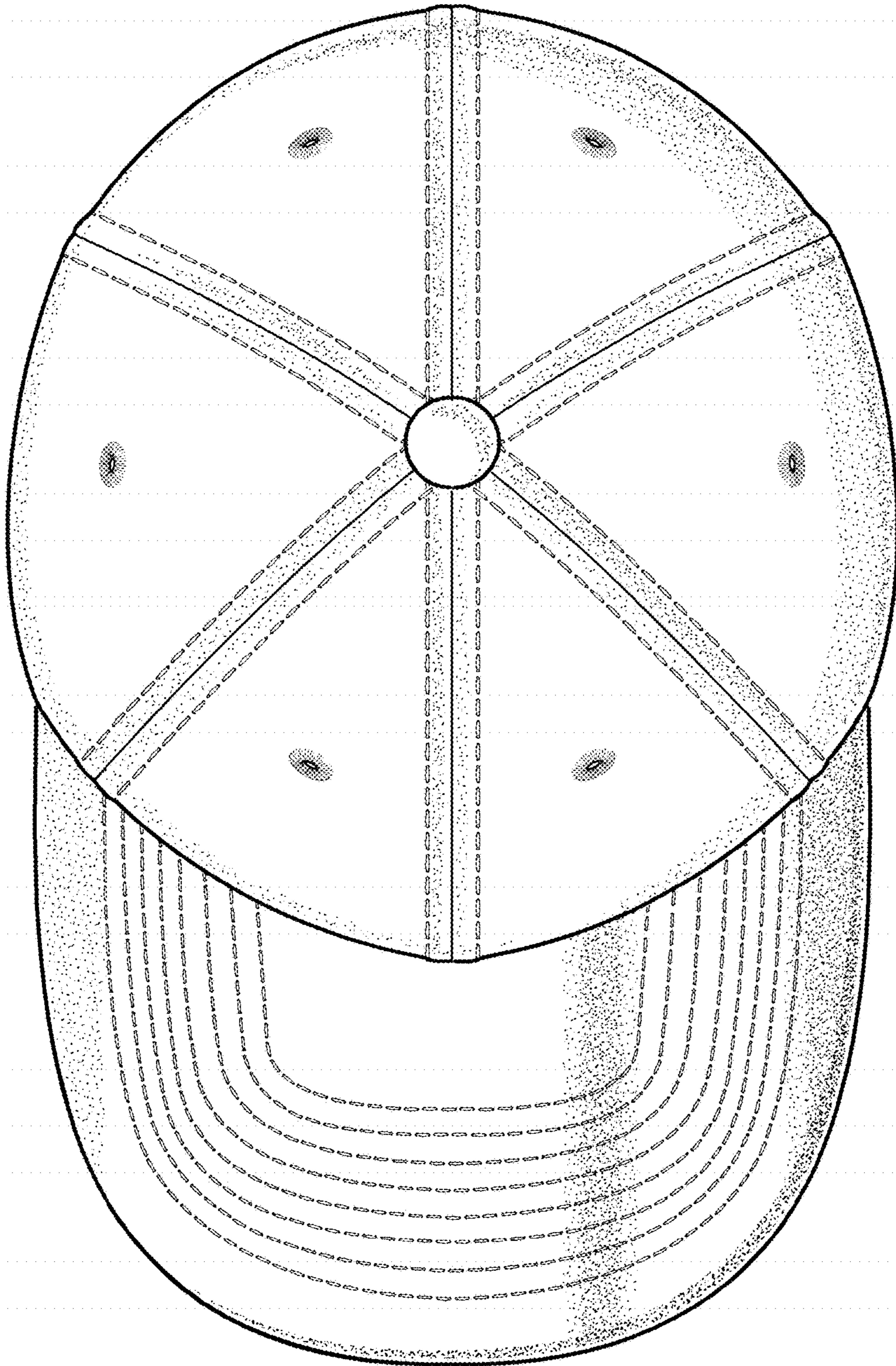


FIG. 6

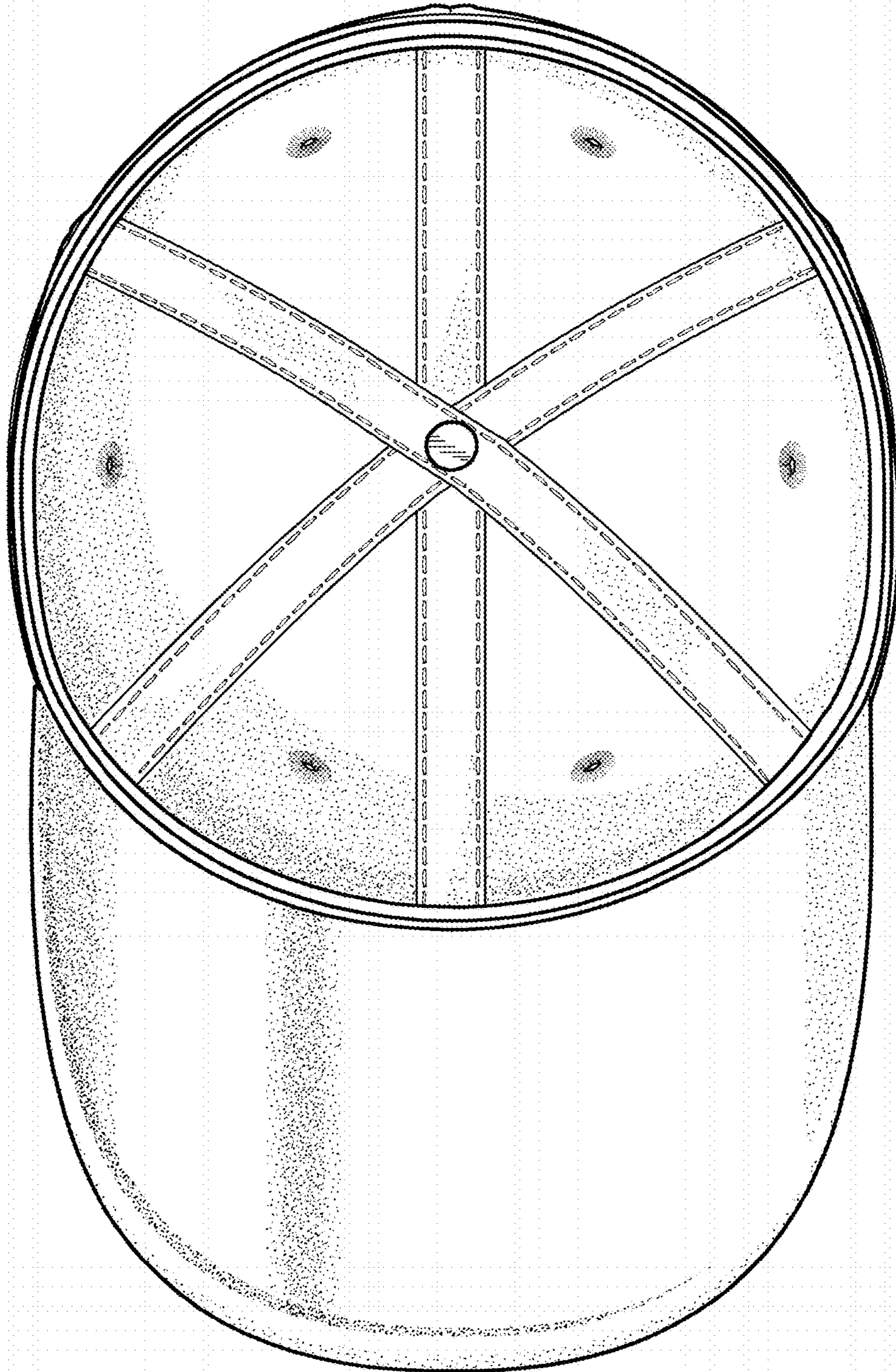


FIG. 7

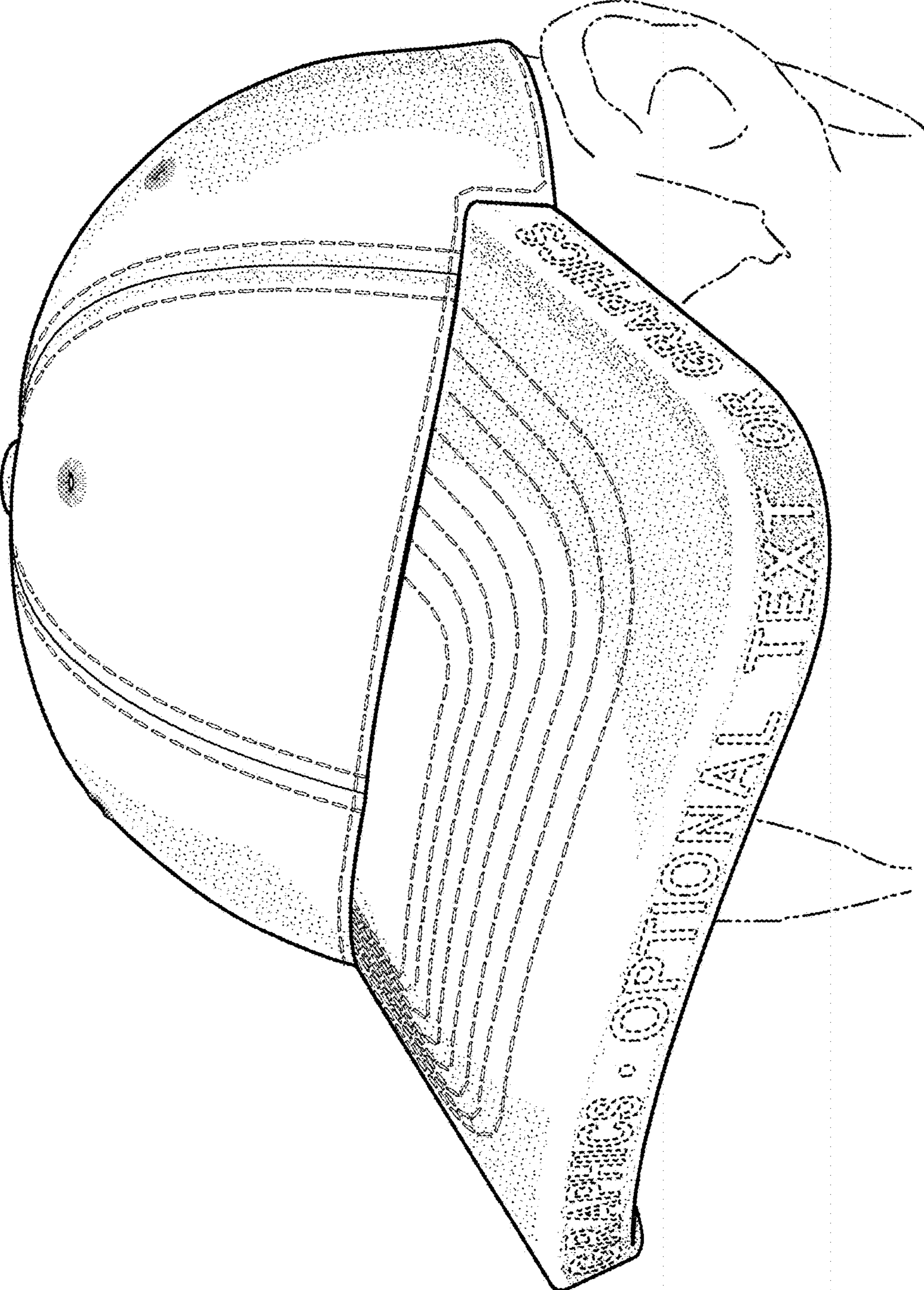


FIG. 8