



US00D778536S

(12) **United States Design Patent**
Adrovic

(10) **Patent No.:** **US D778,536 S**
(45) **Date of Patent:** **** Feb. 14, 2017**

(54) **UPPER BODY GARMENT**

- (71) Applicant: **NIKE, Inc.**, Beaverton, OR (US)
- (72) Inventor: **Alma Adrovic**, Portland, OR (US)
- (73) Assignee: **NIKE, Inc.**, Beaverton, OR (US)
- (**) Term: **15 Years**
- (21) Appl. No.: **29/548,244**
- (22) Filed: **Dec. 11, 2015**
- (51) **LOC (10) Cl.** **02-02**
- (52) **U.S. Cl.**
USPC **D2/731**
- (58) **Field of Classification Search**
USPC D2/731, 829, 720, 864, 828, 839, 717;
D21/683, 69; 2/102, 69, 456
CPC A41D 3/00; A41D 13/0015; A63B 21/065
See application file for complete search history.

FOREIGN PATENT DOCUMENTS

CN	302003508	*	7/2012
NO	20090182-0010	*	11/2009

OTHER PUBLICATIONS

Rei Windbrake Fleece Vest—All Around Sturdy Bargain of a Vest, Announced Dec. 2, 2014 [Site Visited Sep. 29, 2016]<http://www.getoutdoorgear.com/1129/rei-windbrake-fleece-vest-all-around-sturdy-bargain-of-a-vest/>.*

(Continued)

Primary Examiner — John Windmuller
Assistant Examiner — Luqman McNeil
(74) *Attorney, Agent, or Firm* — Banner & Witcoff, Ltd.

(57) **CLAIM**

The ornamental design for an upper body garment, as shown and described.

(56) **References Cited**

U.S. PATENT DOCUMENTS

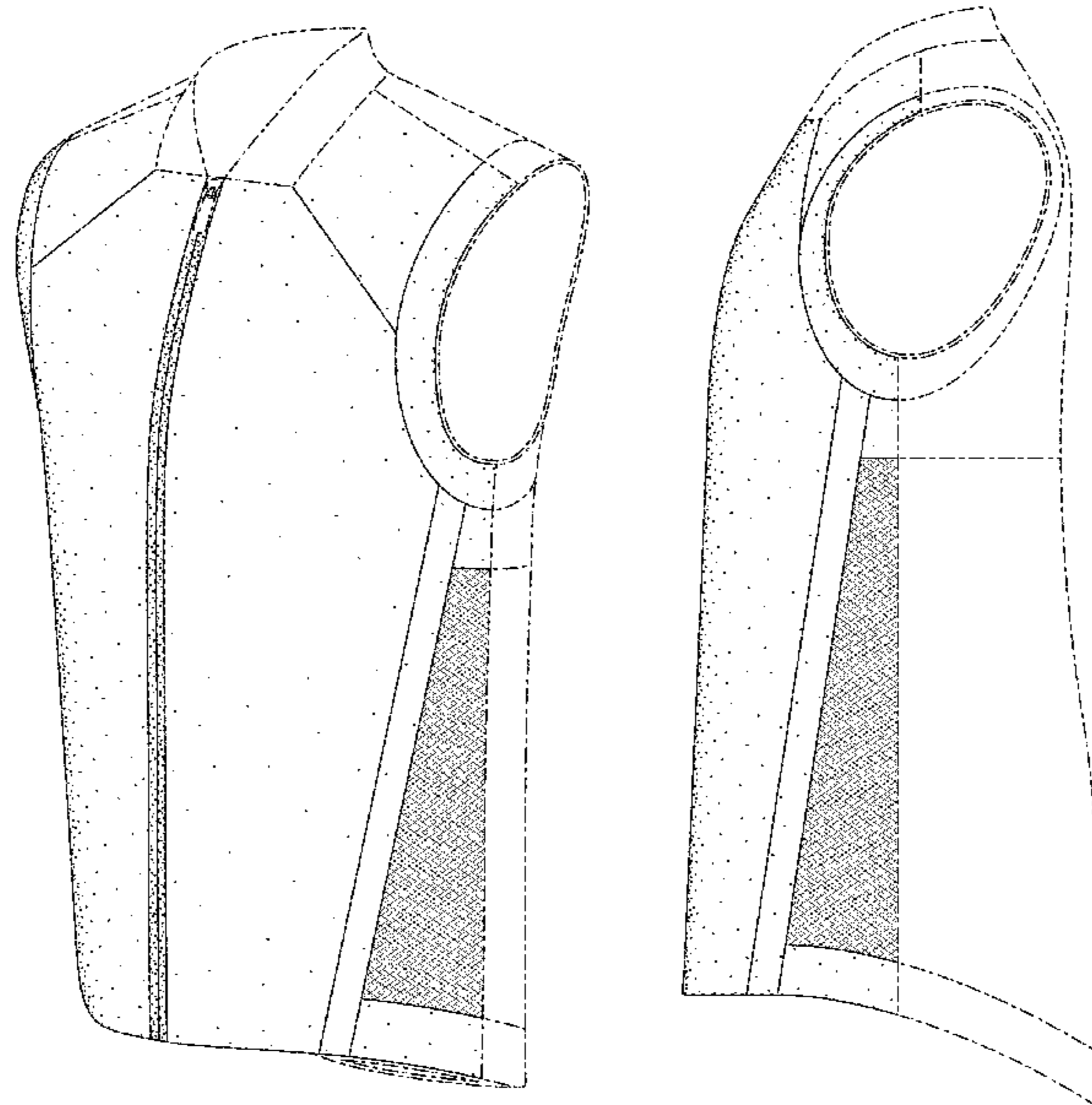
- | | | | | | |
|-------------|---|---------|---------------|-------|--------------|
| D29,559 S | * | 10/1898 | Tesiny | | D2/829 |
| D170,156 S | * | 8/1953 | Hagan | | D2/720 |
| D173,274 S | | 10/1954 | London | | |
| D237,022 S | * | 10/1975 | Mathis | | D2/864 |
| 4,149,272 A | * | 4/1979 | Maeshima | | A41D 3/00 |
| | | | | | 2/102 |
| D256,850 S | * | 9/1980 | Donahue | | D2/829 |
| D273,818 S | * | 5/1984 | Spencer | | D2/829 |
| D278,090 S | * | 3/1985 | Cochran | | D21/683 |
| D278,840 S | * | 5/1985 | Winston | | D2/829 |
| 4,602,387 A | * | 7/1986 | Zakrzewski | | A63B 21/065 |
| | | | | | 2/102 |
| D340,794 S | * | 11/1993 | Winston | | D21/683 |
| D356,883 S | * | 4/1995 | Ganahl | | D2/828 |
| 6,018,819 A | * | 2/2000 | King | | A41D 13/0015 |
| | | | | | 2/69 |
| D426,937 S | | 6/2000 | Auster et al. | | |

(Continued)

DESCRIPTION

FIG. 1 is a front perspective view of an upper body garment showing my new design in an in-use configuration; FIG. 2 is a front view thereof; FIG. 3 is a rear view thereof; FIG. 4 is a side view thereof; FIG. 5 is a second side view thereof; FIG. 6 is a top view thereof; and, FIG. 7 is a bottom view thereof. The broken lines immediately adjacent to the shaded area represent unclaimed boundaries of the design. The unshaded regions, demarcated by broken lines, represent unclaimed portions of the upper body garment and form no part of the claimed design. The contrast in stipple shading represents a contrast in appearance only and does not represent any particular color, material, texture or finish.

1 Claim, 6 Drawing Sheets



(56)

References Cited

U.S. PATENT DOCUMENTS

D457,709 S 5/2002 Davis
 D475,837 S * 6/2003 Neider D2/839
 D491,713 S 6/2004 Wilson, II
 D525,412 S 7/2006 O'Mahony
 D539,508 S * 4/2007 Rogers D2/731
 D550,427 S 9/2007 Moore
 D564,182 S * 3/2008 Wiens D2/840
 D580,630 S * 11/2008 Adams D2/829
 D602,678 S * 10/2009 Foley D2/829
 D608,982 S * 2/2010 Wiens D2/840
 D628,770 S * 12/2010 Kanada D2/717
 D631,231 S 1/2011 Sagnip et al.
 D632,050 S 2/2011 Zarabi
 D643,577 S * 8/2011 Bulan D29/100
 D643,597 S 8/2011 Gaeir et al.
 D647,283 S 10/2011 Sagnip et al.
 D648,924 S 11/2011 Propst
 D649,331 S 11/2011 Lambertz
 D683,933 S * 6/2013 Robbins D2/829
 D683,934 S 6/2013 Whaley
 D694,993 S 12/2013 Tanaka et al.
 D696,488 S 12/2013 Kenney et al.

D698,522 S * 2/2014 Roberts D2/829
 D698,523 S * 2/2014 Roberts D2/829
 D703,922 S * 5/2014 Roberts D2/829
 D707,423 S * 6/2014 Pezzimenti D2/829
 D707,424 S * 6/2014 Pezzimenti D2/829
 D710,573 S * 8/2014 Pezzimenti D2/829
 D719,720 S 12/2014 Santana
 D734,922 S * 7/2015 Docker D2/829
 D747,849 S * 1/2016 Ingram D2/829
 D760,480 S * 7/2016 Adrovic D2/731
 D762,344 S * 8/2016 McArthur D2/731
 2005/0015865 A1 * 1/2005 Chaix A41D 13/0015
 2/456
 2009/0025115 A1 * 1/2009 Duffy A41D 13/0015
 2/69

OTHER PUBLICATIONS

Schott Shot Paddling Primaloft Vest Nylon Cotton Padded Vest(Primaloft) 2014 New Products, Announced Oct. 25, 2014 [Slte Visited Sep. 29, 2016]http://global.rakuten.com/en/store/super-rag/item/3142034/?s-id=borderless_recommend_item_en.*

* cited by examiner

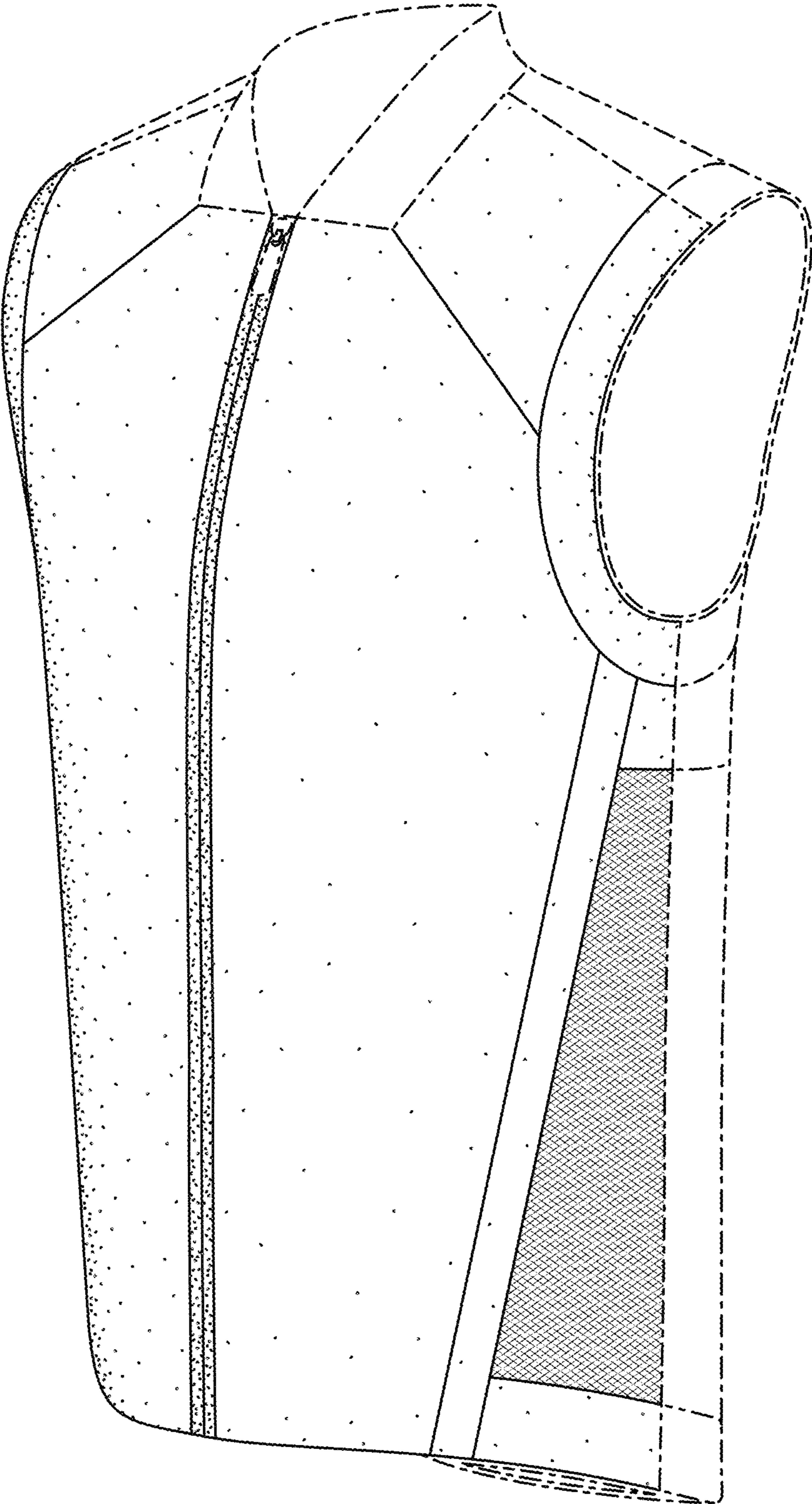


FIG. 1

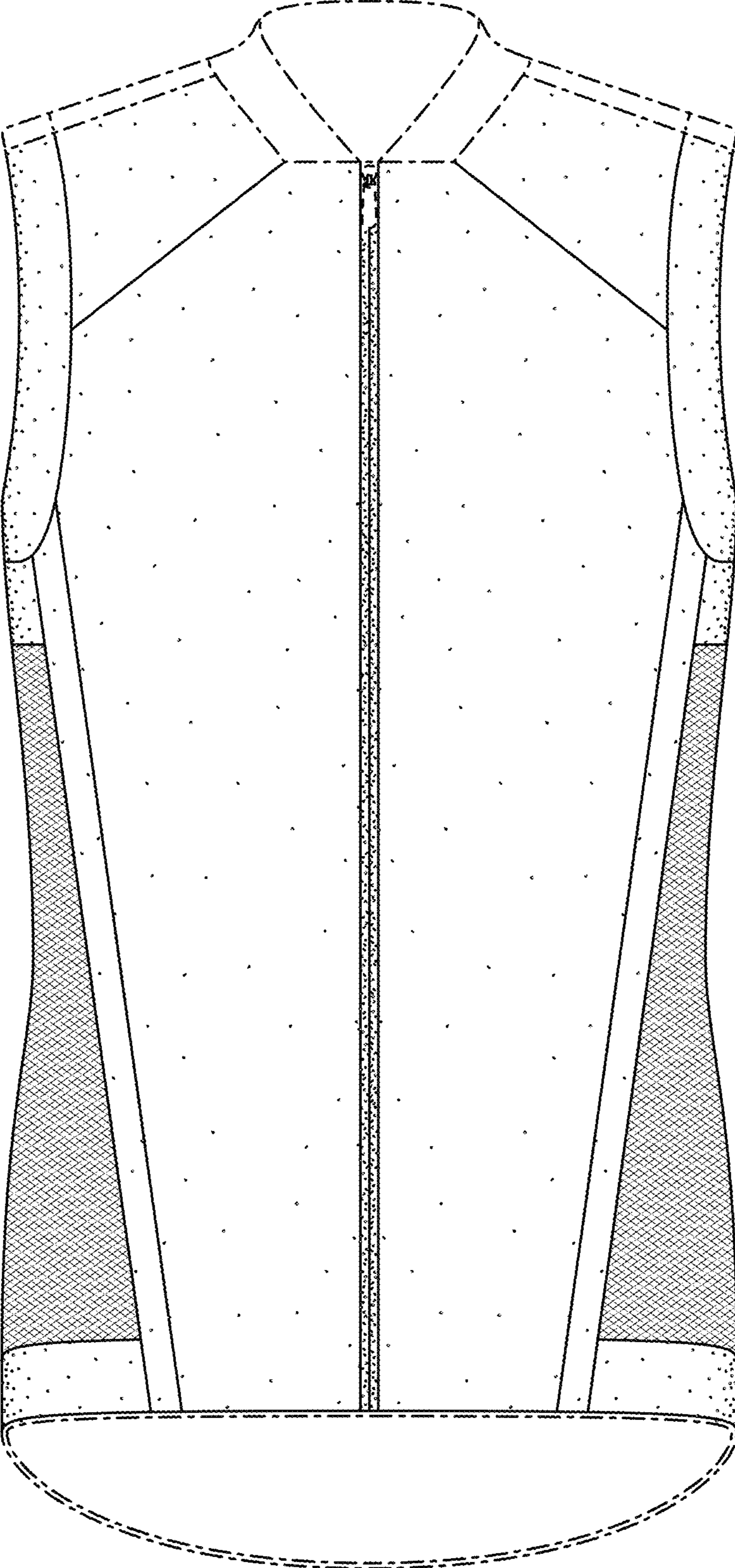


FIG. 2

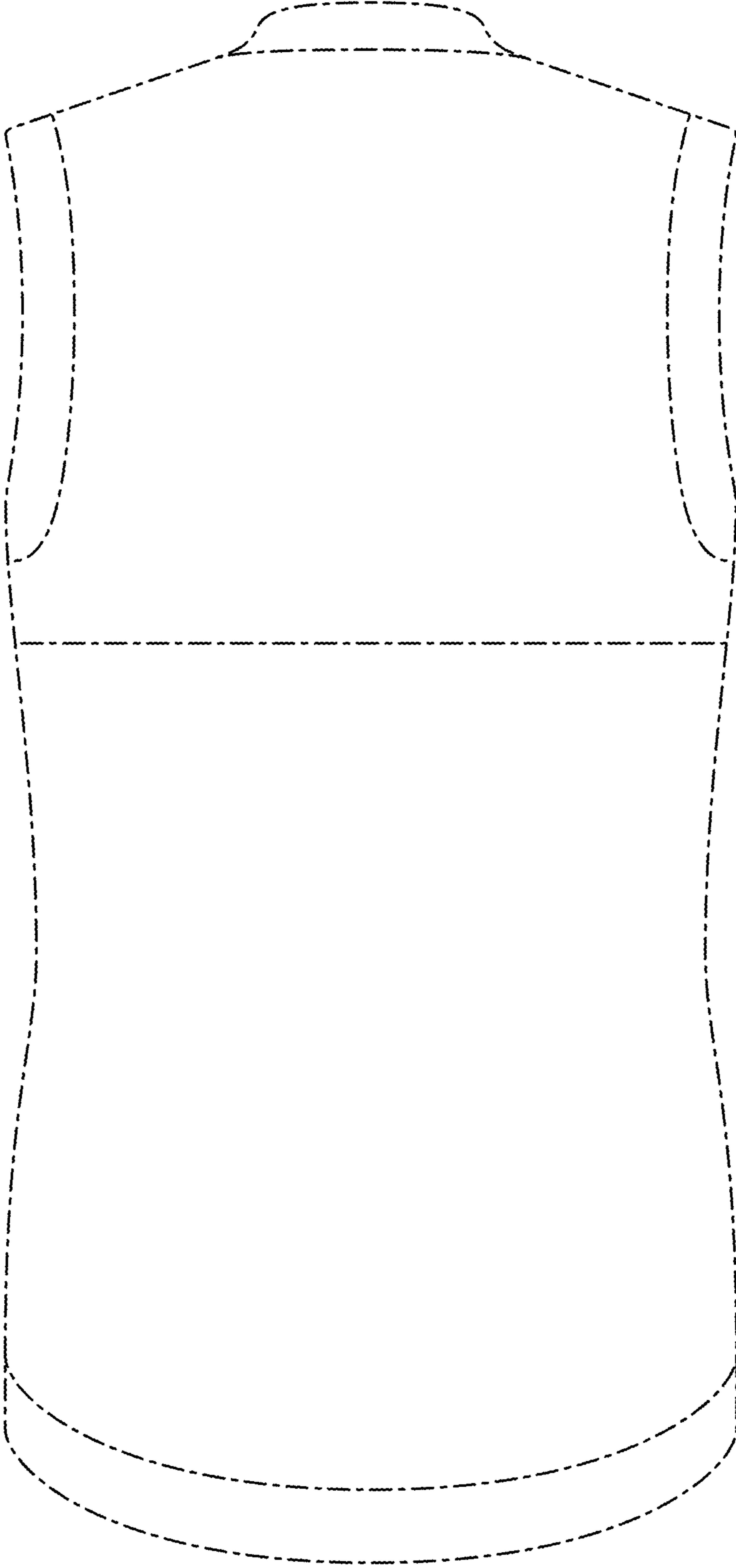


FIG. 3

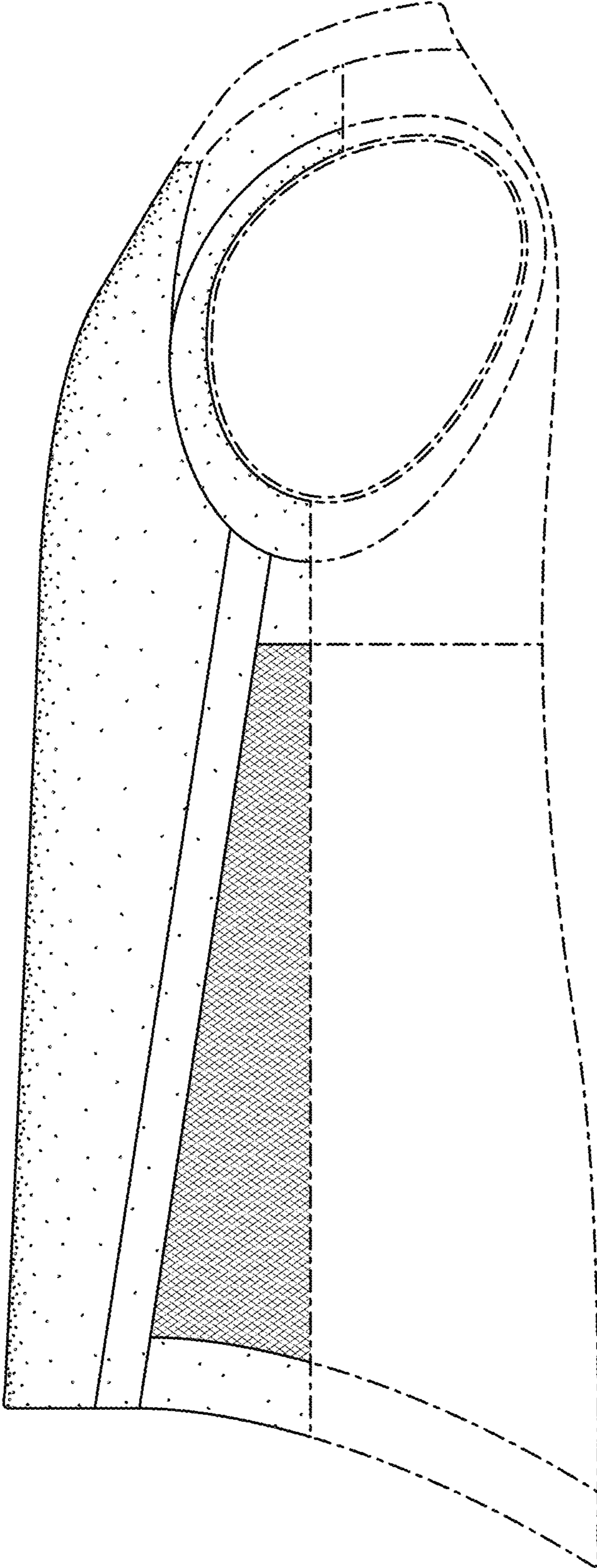


FIG. 4

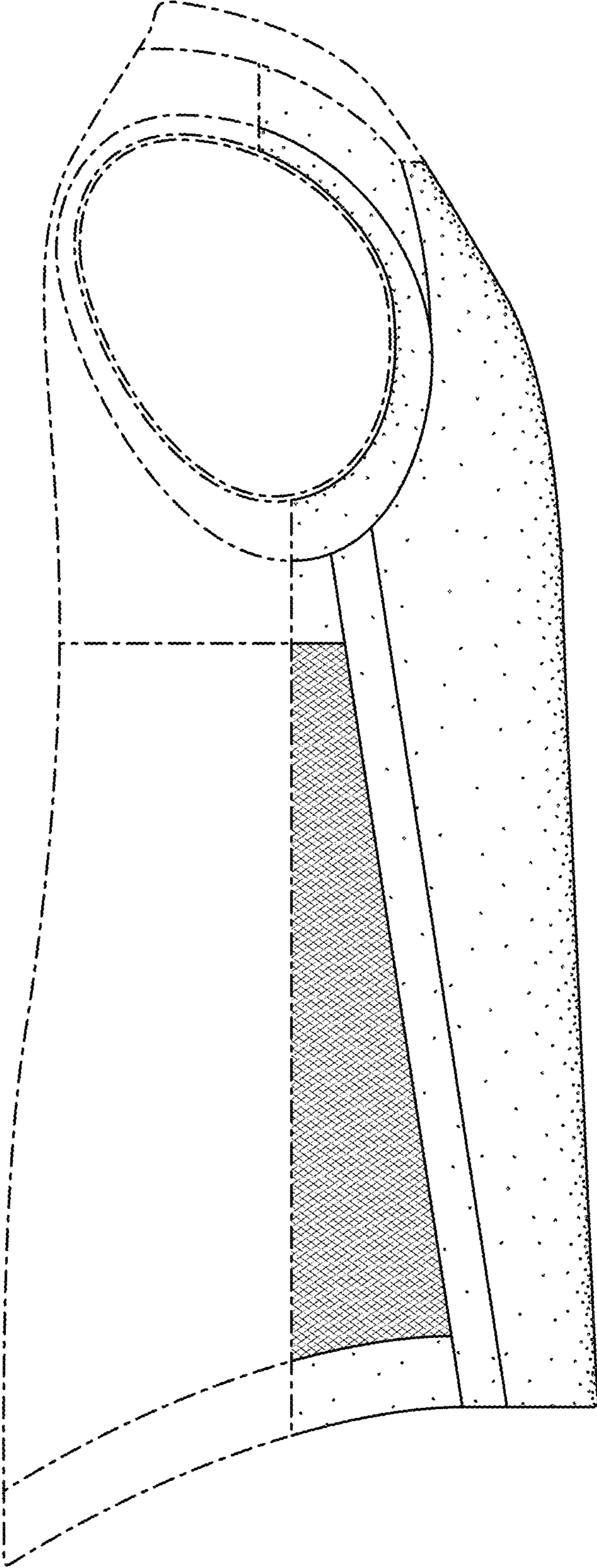


FIG. 5

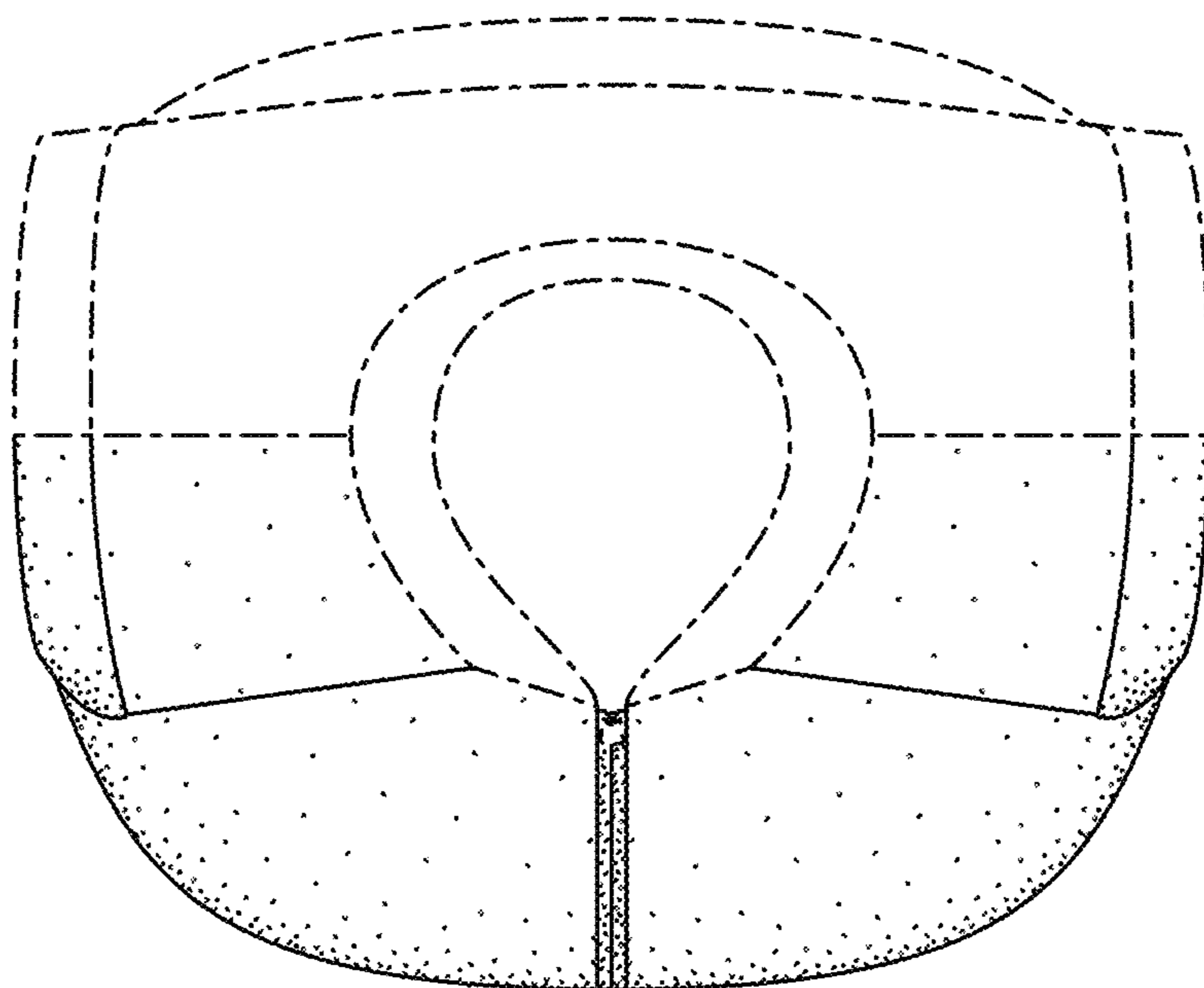


FIG. 6

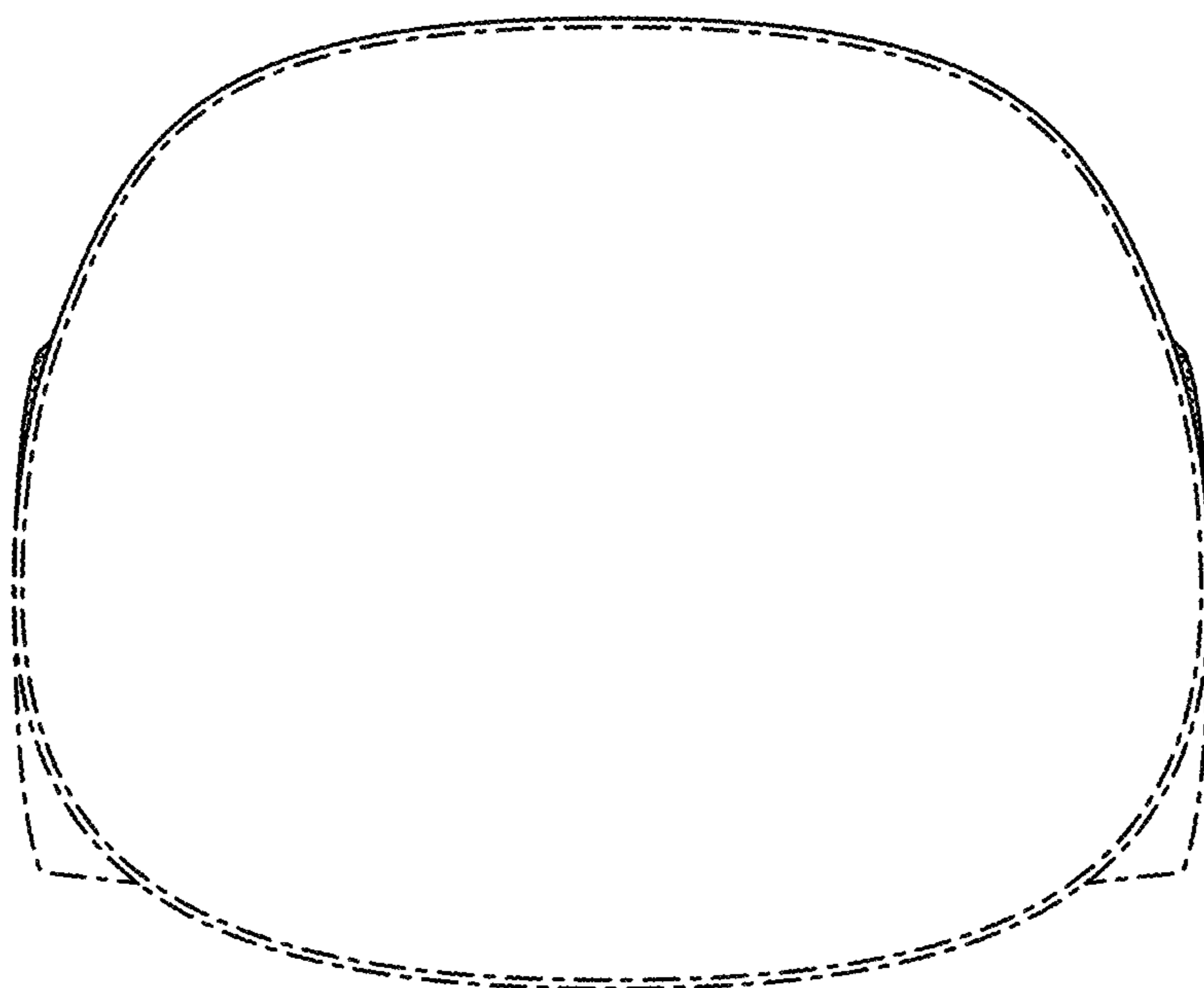


FIG. 7