

US00D778535S

(12) **United States Design Patent**
Lomax

(10) **Patent No.:** **US D778,535 S**
(45) **Date of Patent:** **** Feb. 14, 2017**

(54) **SHORTS**

(71) Applicant: **NIKE, Inc.**, Beaverton, OR (US)

(72) Inventor: **Jessica Lomax**, London (GB)

(73) Assignee: **NIKE, Inc.**, Beaverton, OR (US)

(**) Term: **15 Years**

(21) Appl. No.: **29/548,223**

(22) Filed: **Dec. 11, 2015**

(51) **LOC (10) Cl.** **02-02**

(52) **U.S. Cl.**
USPC **D2/731**

(58) **Field of Classification Search**
USPC D2/731, 738, 712, 711, 742, 716; 2/227,
2/401, 221, 404
CPC A41D 1/08; A41D 1/20; A41D 13/0506;
A41B 9/02
See application file for complete search history.

(56) **References Cited**

U.S. PATENT DOCUMENTS

- 1,737,882 A * 12/1929 Hatch A41D 1/08
2/227
- D86,113 S * 2/1932 Dwyer 2/401
- D86,114 S * 2/1932 Dwyer D2/738
- D91,708 S 3/1934 Dwyer
- D126,263 S * 4/1941 Cadous D2/712
- D133,569 S 8/1942 Welsch
- D238,828 S * 2/1976 Reed D2/738
- D255,168 S 6/1980 Taylor
- D266,540 S * 10/1982 Nacinovich D2/738
- D278,755 S 5/1985 Jacobson
- D279,042 S 6/1985 Aquilina et al.
- D300,383 S 3/1989 Yasuda
- D359,837 S 7/1995 Brannon
- D403,487 S * 1/1999 Crupi D2/711
- D404,889 S * 2/1999 Fujii D2/712
- D412,610 S 8/1999 Fujii et al.

(Continued)

FOREIGN PATENT DOCUMENTS

CA 155120 * 11/2014
JP D1531963 * 8/2015

OTHER PUBLICATIONS

Latest Trend Fashion: Crazy About Fashion, Perfume Nerd, and Admirer of Style: Announced Oct. 12, 2014 [Site Visited Sep. 8, 2016] <http://latesttrendfashion.com/tag/athletic-womens-shorts-2014-2015/>.*

(Continued)

Primary Examiner — John Windmuller

Assistant Examiner — Luqman McNeil

(74) *Attorney, Agent, or Firm* — Banner & Witcoff, Ltd.

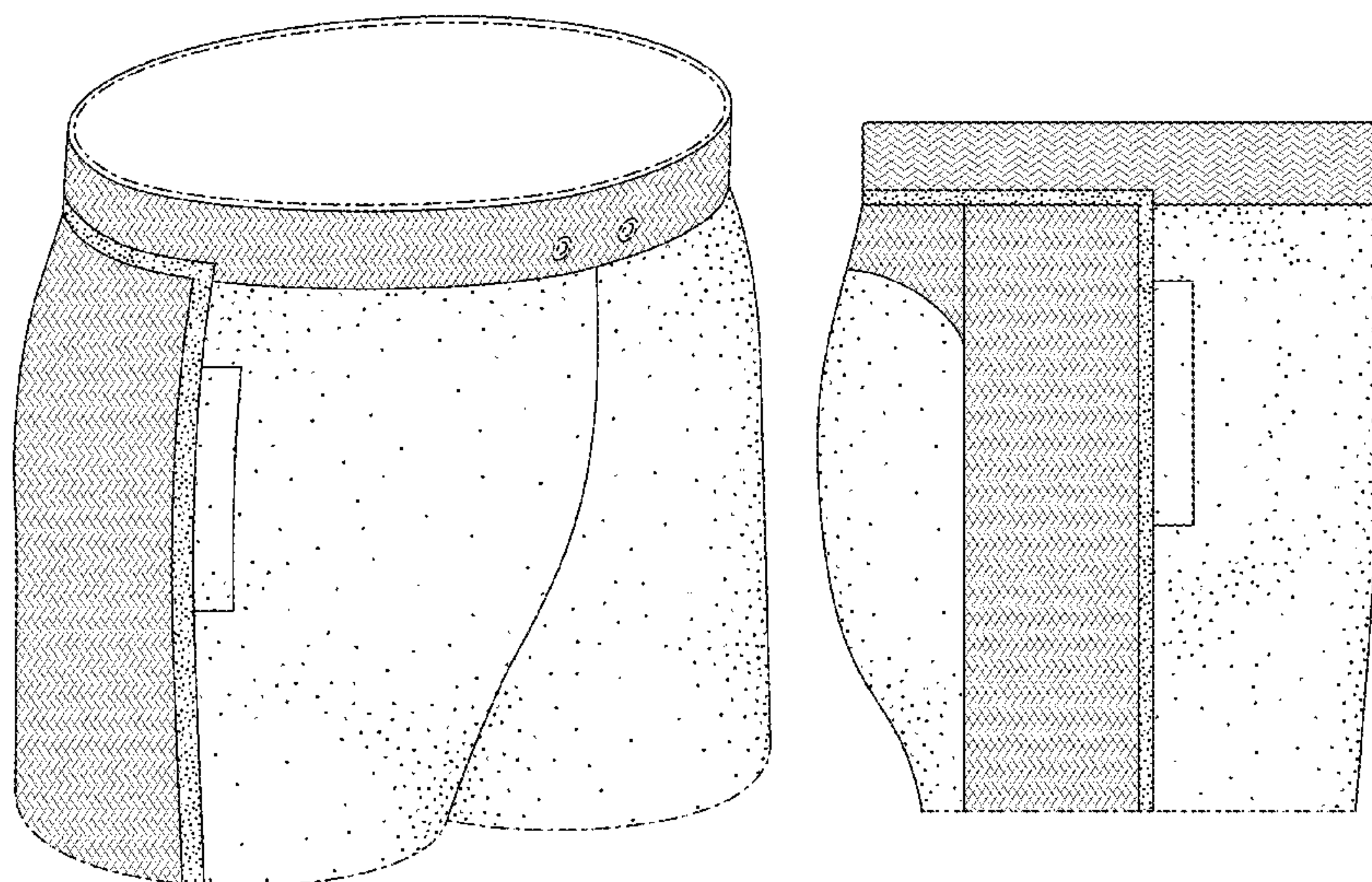
(57) **CLAIM**

The ornamental design for a shorts, as shown and described.

DESCRIPTION

FIG. 1 is a front perspective view of shorts showing my new design in an in-use configuration; FIG. 2 is a front view thereof; FIG. 3 is a rear view thereof; FIG. 4 is a side view thereof; FIG. 5 is a second side view thereof; FIG. 6 is a top view thereof; and, FIG. 7 is a bottom view thereof. The broken lines immediately adjacent to the shaded area represent unclaimed boundaries of the design. The unshaded regions, demarcated by broken lines, represent unclaimed portions of the shorts and form no part of the claimed design. The contrast in stippling represents a contrast in appearance only and does not represent any particular color, material, texture and finish.

1 Claim, 6 Drawing Sheets



(56)

References Cited

U.S. PATENT DOCUMENTS

D412,772 S 8/1999 Fujii et al.
 D413,008 S 8/1999 Fujii et al.
 D427,750 S * 7/2000 Fujii D2/731
 D436,713 S 1/2001 Doolittle
 D465,315 S 11/2002 Tanaka
 D465,900 S 11/2002 Tanaka
 D467,055 S * 12/2002 Lyden D2/738
 D480,536 S 10/2003 Codere
 D482,513 S 11/2003 Armani
 D487,609 S 3/2004 Cruz
 D507,857 S 8/2005 Ota et al.
 D507,858 S 8/2005 Ota et al.
 D508,304 S 8/2005 Ota et al.
 D512,203 S 12/2005 Ota et al.
 D512,812 S 12/2005 Ota et al.
 D514,280 S 2/2006 Ota et al.
 D514,775 S 2/2006 Szabo
 D518,277 S * 4/2006 Collier D2/738
 D520,715 S 5/2006 Ota et al.
 D540,509 S 4/2007 Zimmerman
 D542,508 S 5/2007 Zimmerman
 D571,536 S 6/2008 Huen et al.
 D572,432 S * 7/2008 Peters D2/742
 D584,480 S 1/2009 Blumenfeld
 D584,481 S 1/2009 Blumenfeld
 D596,378 S 7/2009 Borchardt
 D597,281 S 8/2009 Young
 D598,180 S 8/2009 Fu
 D609,430 S 2/2010 Clement
 D609,881 S 2/2010 Chen et al.
 D612,580 S 3/2010 Hall et al.
 D615,279 S * 5/2010 Savage D2/731
 D618,436 S 6/2010 Hall et al.
 D620,682 S * 8/2010 Washington D2/716

D621,586 S 8/2010 Hall et al.
 D630,413 S 1/2011 Calabria
 D630,414 S 1/2011 Calabria
 D630,415 S 1/2011 Nunn
 D637,791 S 5/2011 Hall et al.
 D638,608 S 5/2011 Gregory et al.
 D641,127 S 7/2011 Zarabi
 D641,134 S * 7/2011 Zarabi D2/712
 D641,135 S 7/2011 Zarabi
 D641,539 S 7/2011 Zarabi
 D651,379 S 1/2012 Halpern
 D660,553 S * 5/2012 Farina D2/742
 D661,464 S * 6/2012 Wilson D2/738
 D661,871 S * 6/2012 Savage D2/742
 D674,166 S * 1/2013 Wilson D2/738
 D686,799 S * 7/2013 Farina D2/742
 D701,674 S 4/2014 Denning
 D701,676 S * 4/2014 Savage D2/738
 D702,921 S 4/2014 Holmes
 D702,922 S 4/2014 Holmes
 D714,523 S 10/2014 Stinson et al.
 D728,898 S * 5/2015 Haeberle D2/731
 2009/0049583 A1 * 2/2009 Stones A41D 1/20
 2/221
 2010/0275349 A1 * 11/2010 Wilson, II A41D 13/0506
 2/466
 2011/0307996 A1 * 12/2011 Radford A41B 9/02
 2/404

OTHER PUBLICATIONS

Nike Gym Vintage Shorts for Women, Announced May 23, 2014 [Site Visited Sep. 8, 2016] <http://www.dosportseveryday.com/2014/05/nike-gym-vintage-shorts-for-women/>.*

* cited by examiner

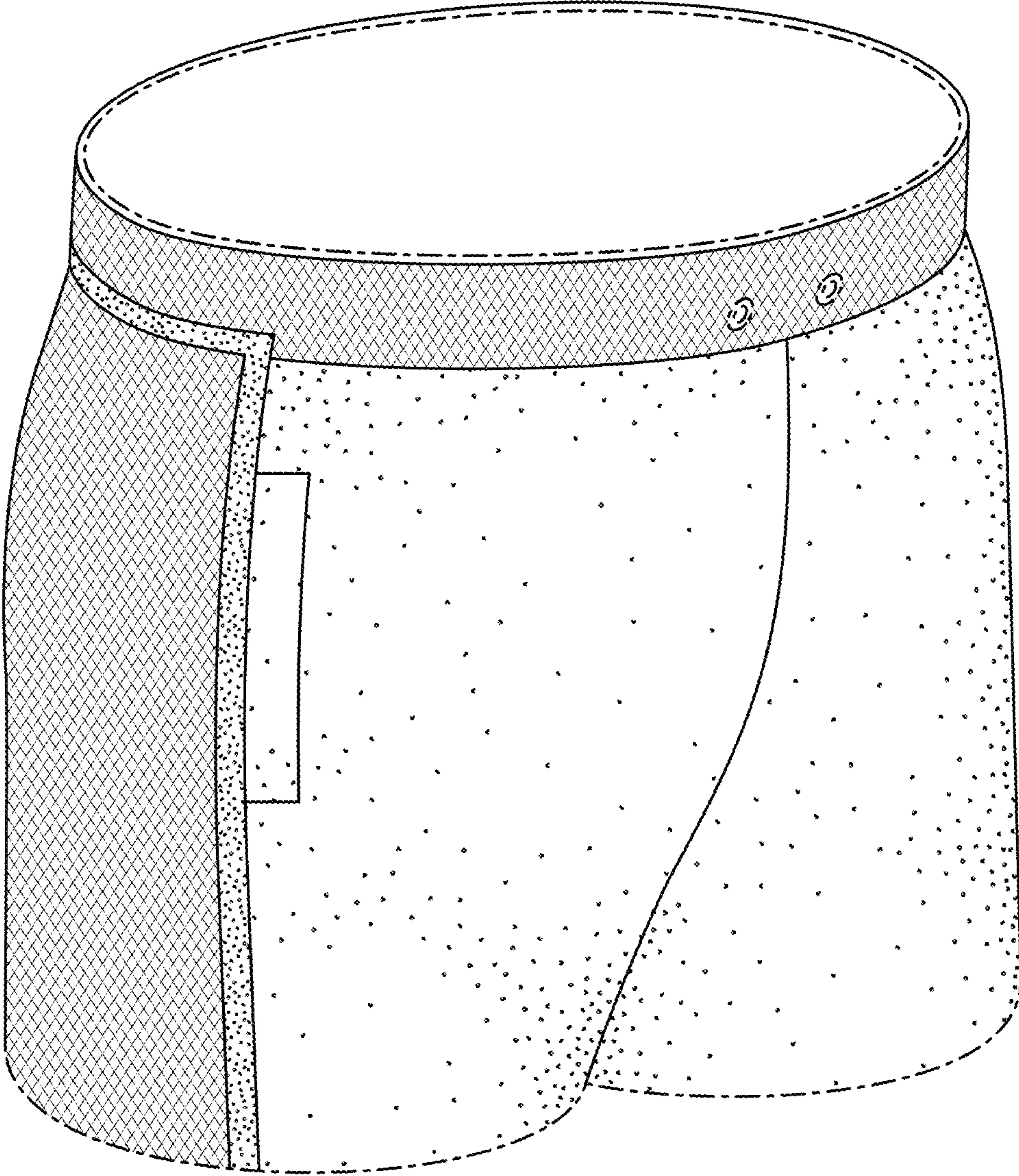


FIG. 1

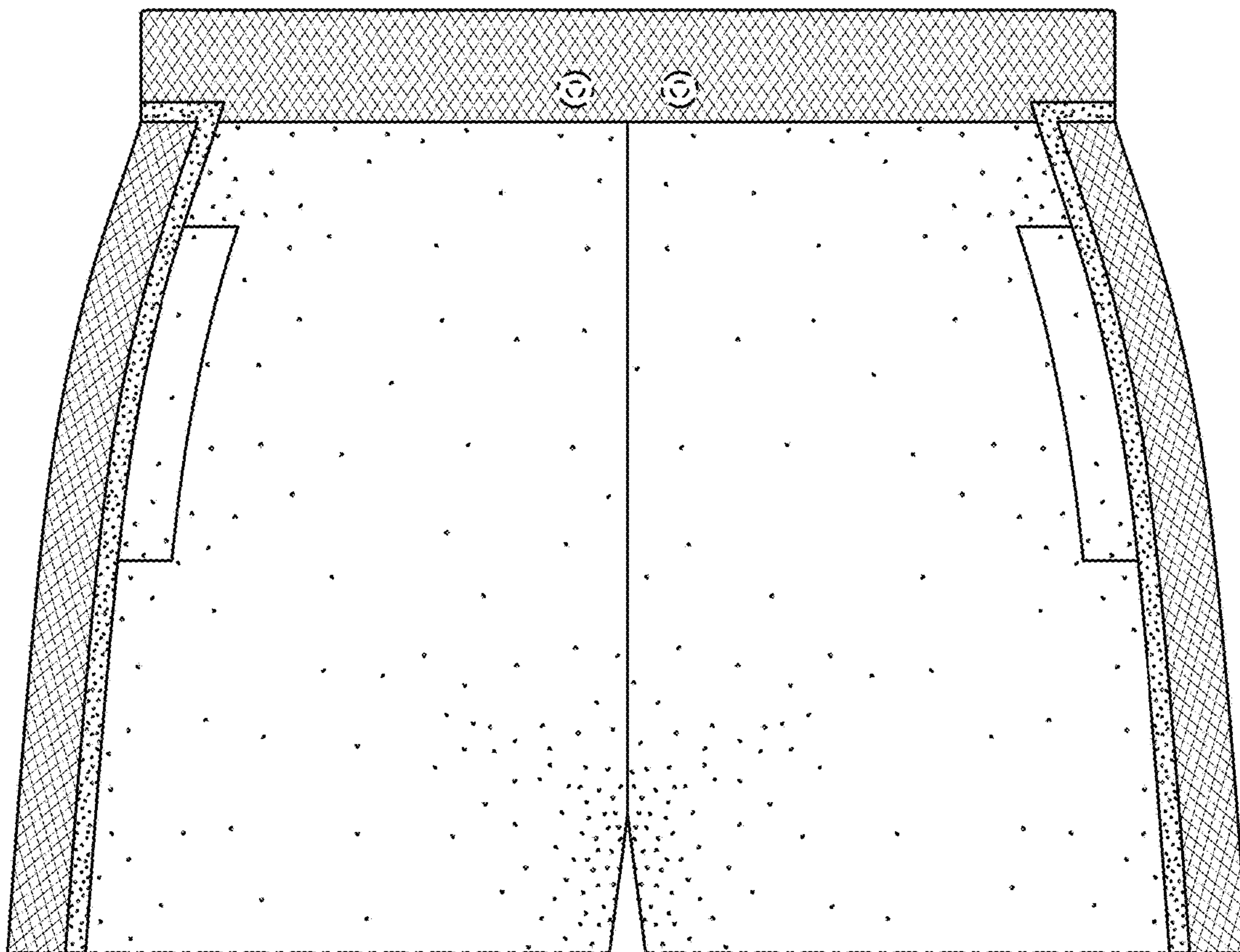


FIG. 2

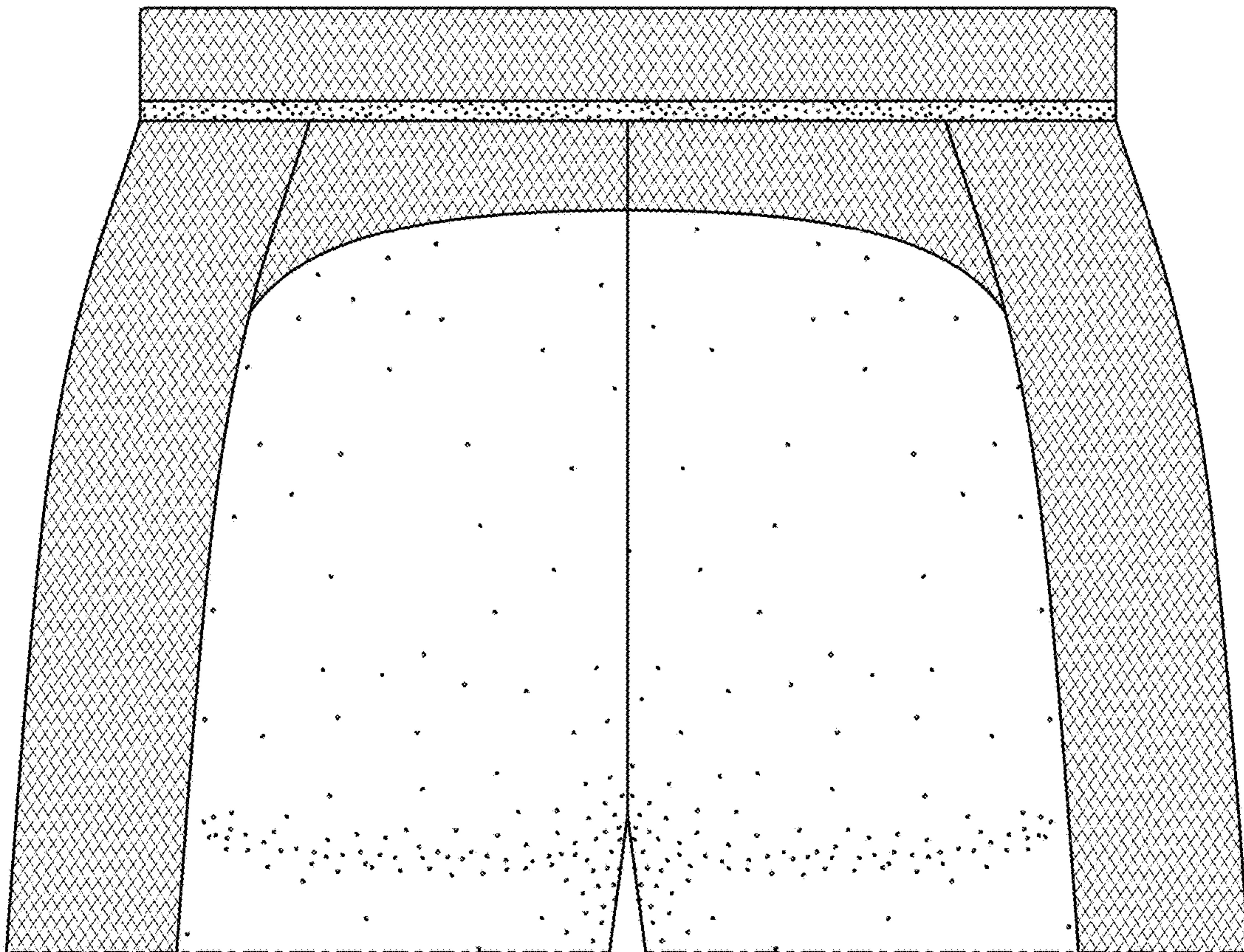


FIG. 3

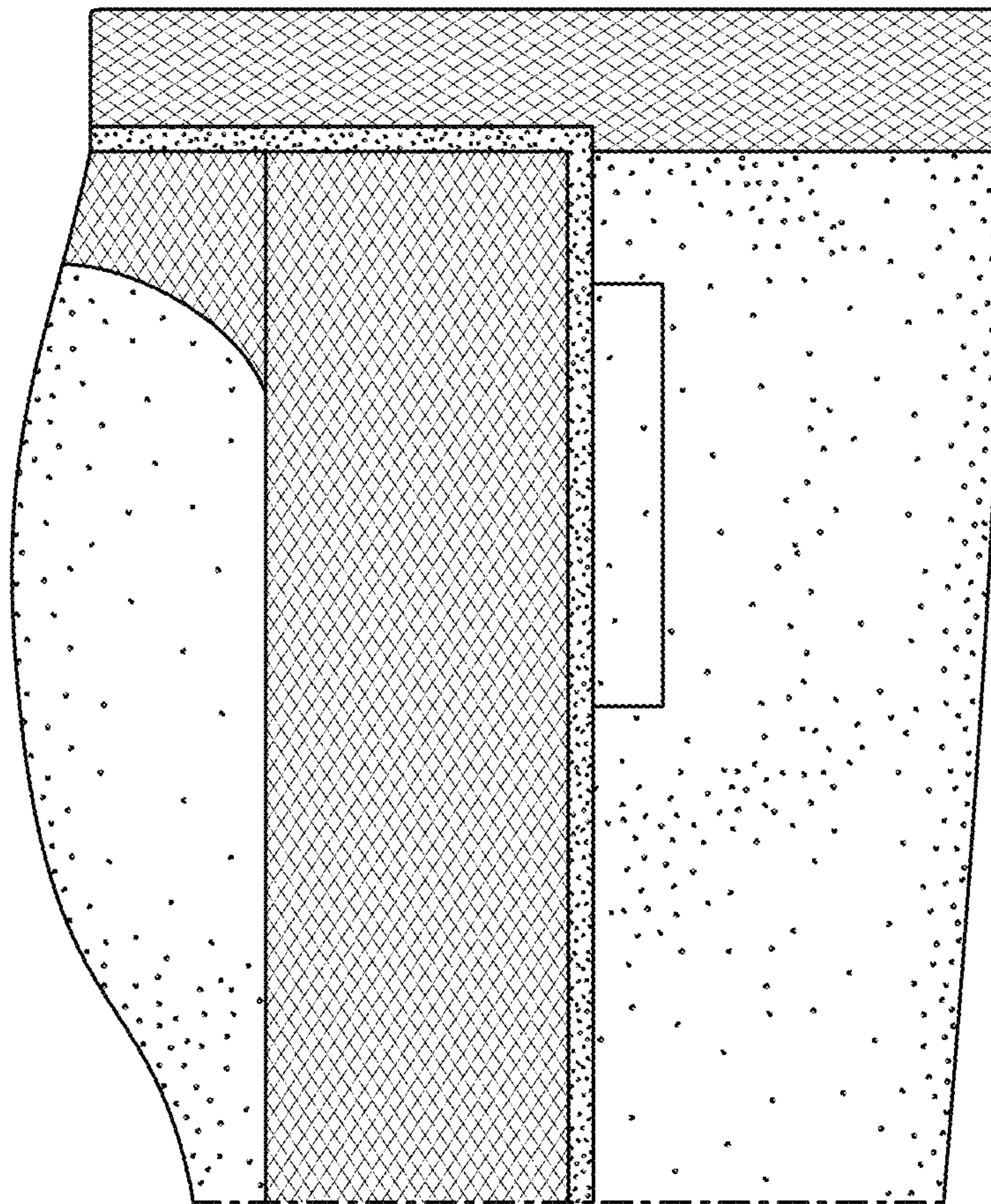


FIG. 4

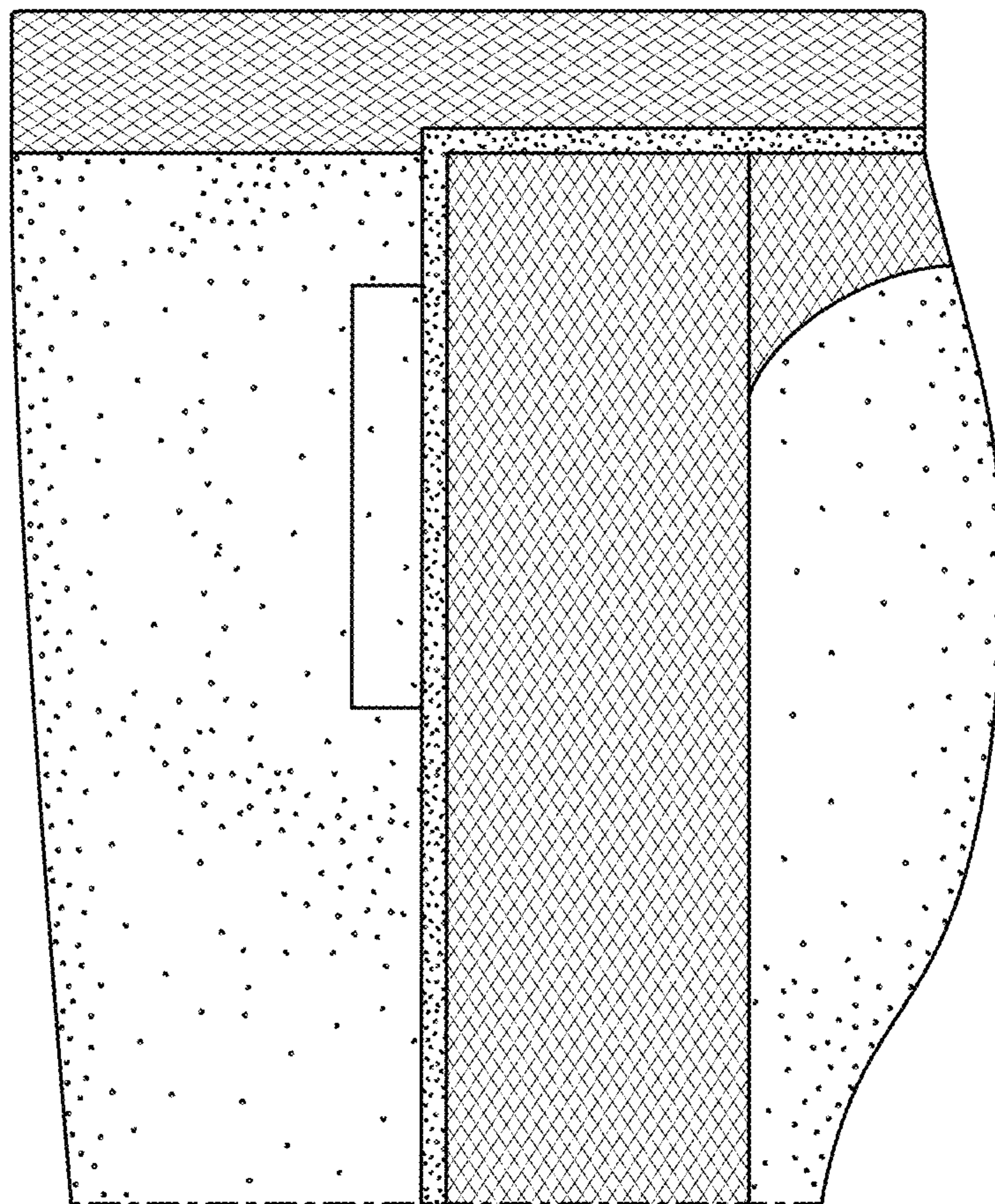


FIG. 5

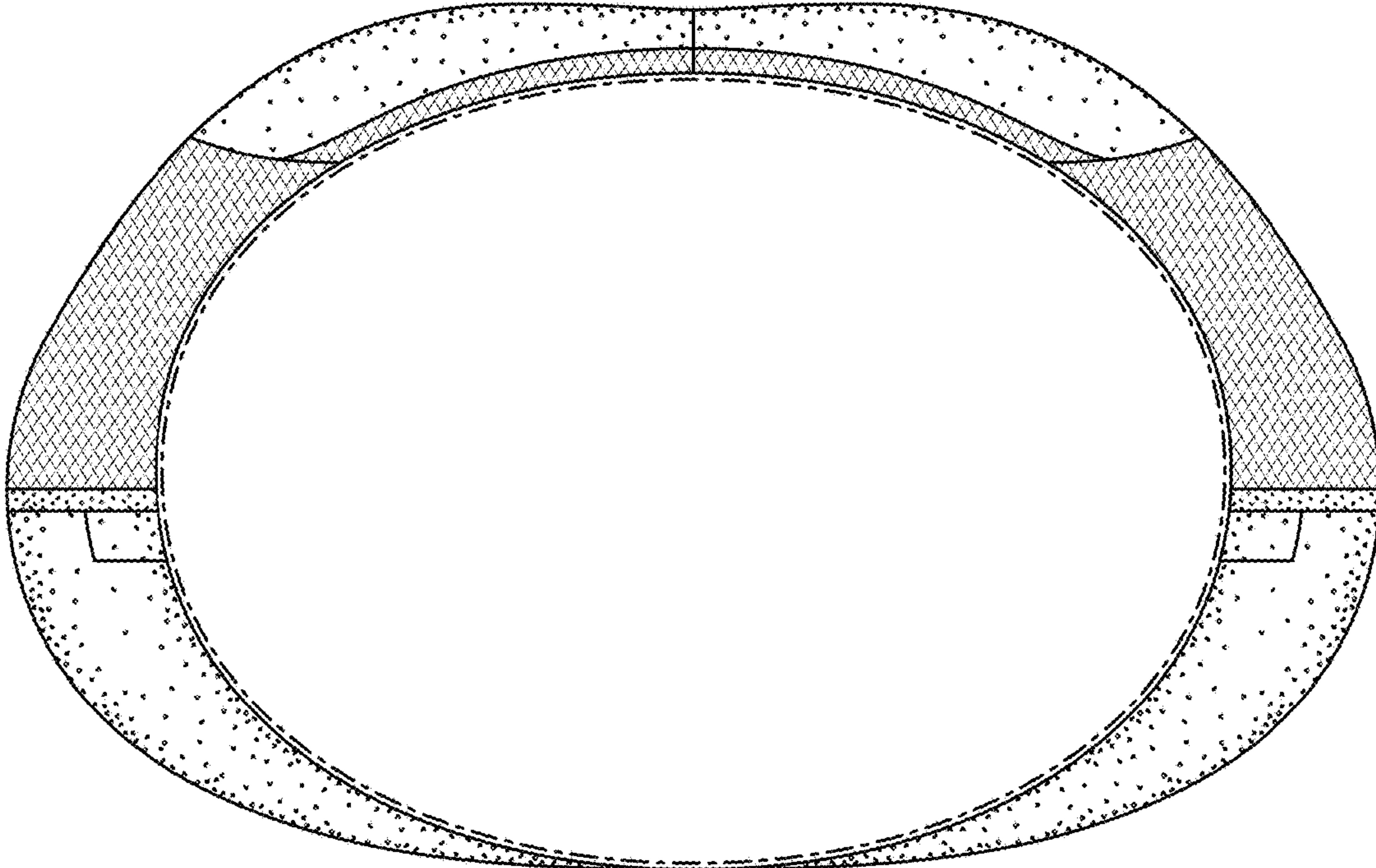


FIG. 6

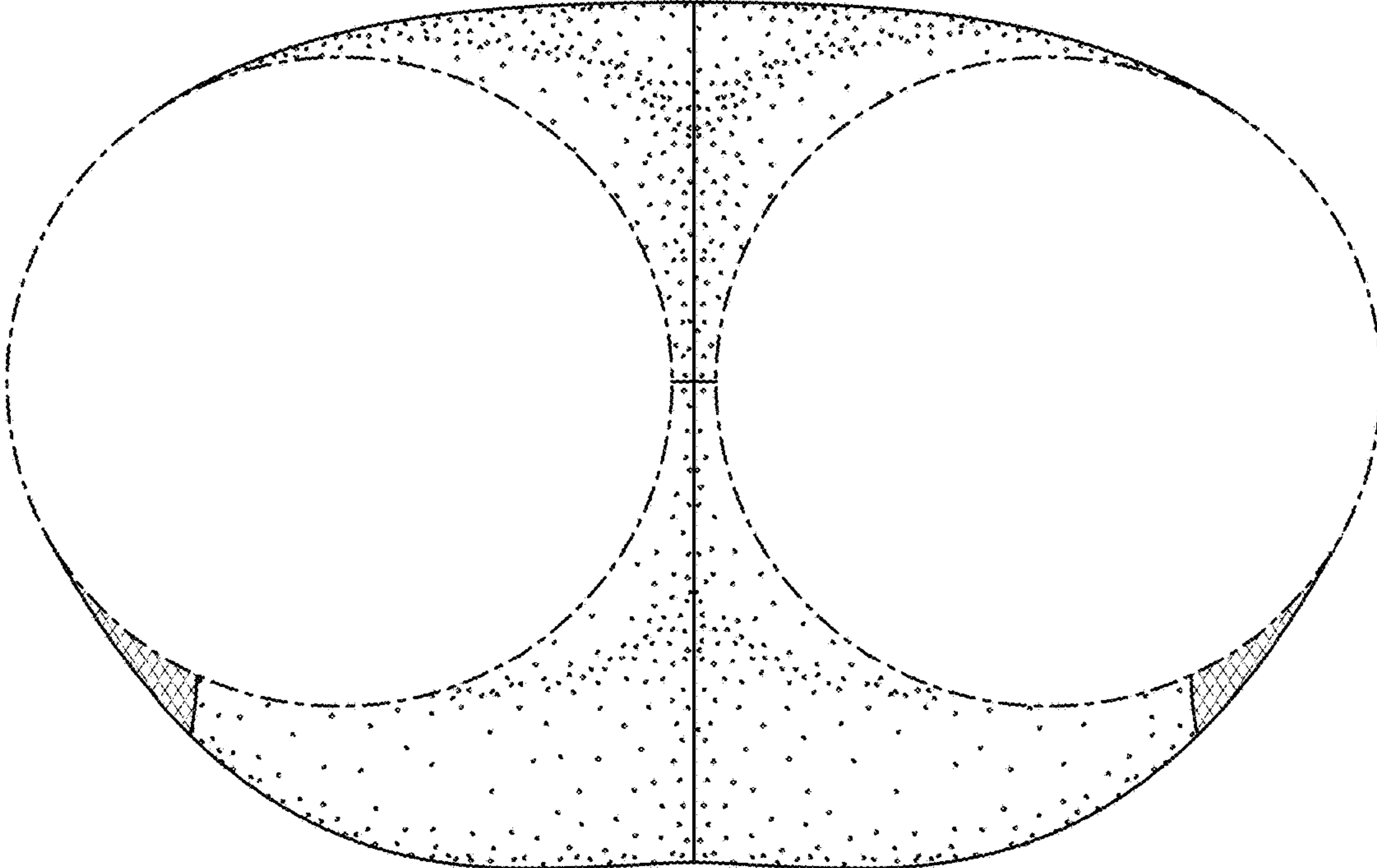


FIG. 7