



US00D778532S

(12) **United States Design Patent** (10) **Patent No.:** **US D778,532 S**
Dorsey (45) **Date of Patent:** **** Feb. 14, 2017**

(54) **DECOMPRESSION HARNESS**
(71) Applicant: **Joshua Dorsey**, Dublin, OH (US)
(72) Inventor: **Joshua Dorsey**, Dublin, OH (US)
(73) Assignee: **Dr Dorsey Brands LLC**, Dublin, OH (US)
(**) Term: **15 Years**

4,413,358 A * 11/1983 Jimenez A41F 9/005
2/311
4,509,214 A * 4/1985 Shea A41F 9/002
2/237
5,307,582 A * 5/1994 Quintel A01K 27/001
224/183
5,413,262 A * 5/1995 Dewire A41F 9/002
2/338
D361,658 S * 8/1995 Martin D3/228
5,497,923 A * 3/1996 Pearson A41F 9/002
2/300

(21) Appl. No.: **29/531,661**
(22) Filed: **Jun. 29, 2015**
(51) **LOC (10) Cl.** **02-07**
(52) **U.S. Cl.**
USPC **D2/624; D24/190**
(58) **Field of Classification Search**
USPC D2/624-629, 634-640; D11/216-219,
D11/231, 232, 238; D24/190; D29/101.3
CPC A41F 11/00; A41F 11/02; A41F 11/06;
A41F 11/08; A41F 11/12; A41F
11/14; A41F 11/16; A41F 17/00; A41F
3/02; A41F 9/00; A41F 9/002; A41F
9/007; A44B 11/20; A44B 17/00; B60R
2022/006; B60R 22/00; A61B
5/6893; A61F 5/028
See application file for complete search history.

(Continued)
Primary Examiner — Celia Murphy
Assistant Examiner — Clare Ann Gannon

(57) **CLAIM**

The ornamental design for a decompression harness, as shown and described.

DESCRIPTION

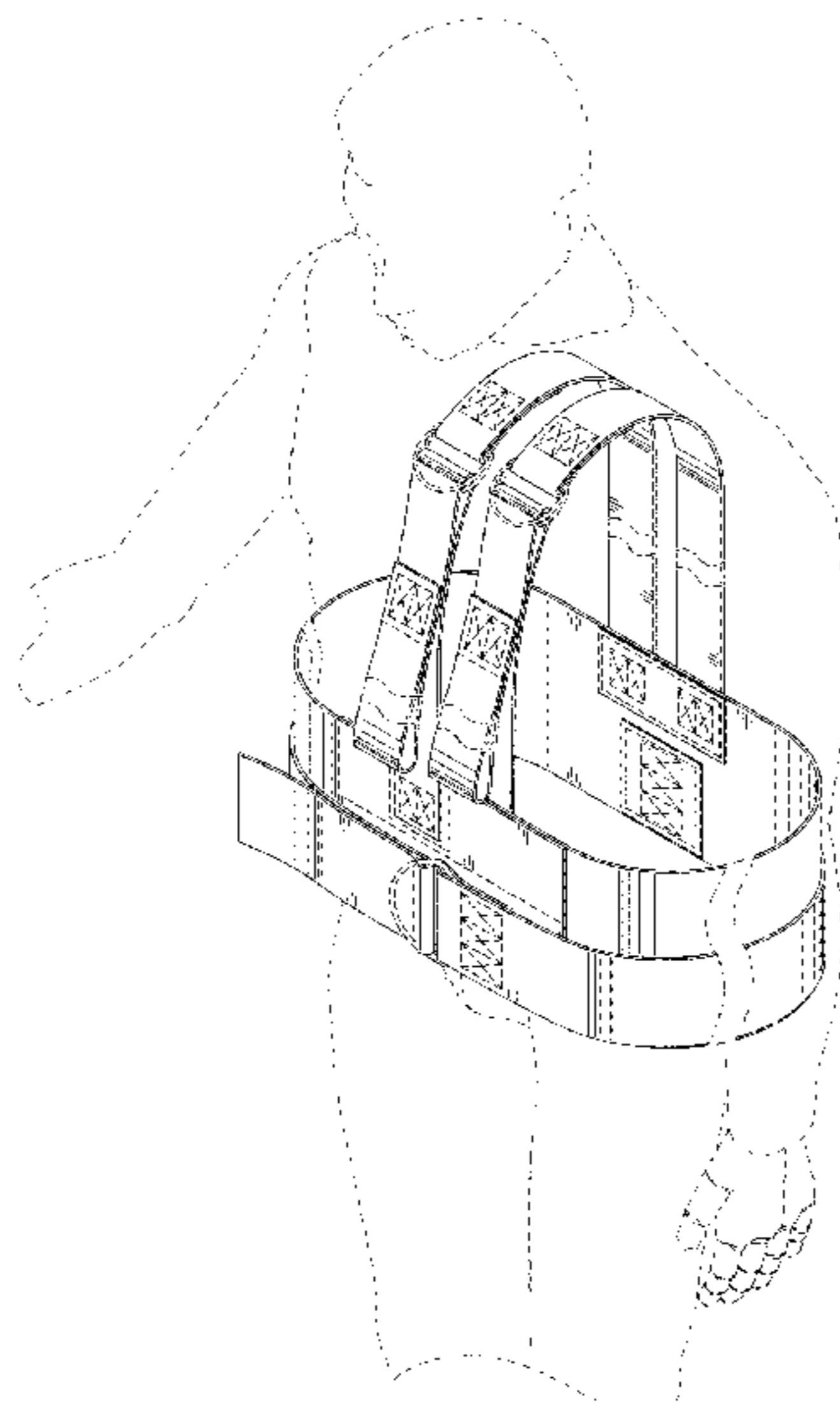
FIG. 1 is an isometric view of a decompression harness, shown in use;
FIG. 2 is an isometric view thereof;
FIG. 3 is a front elevation view thereof;
FIG. 4 is a rear elevation view thereof;
FIG. 5 is a left side elevation view thereof;
FIG. 6 is a right side elevation view thereof;
FIG. 7 is a top plan view thereof; and,
FIG. 8 is a bottom plan view thereof.

The broken lines showing a human figure in FIG. 1 depict environment that forms no part of the claimed design. All other broken lines shown in the drawings illustrate portions of the decompression harness that form no part of the claimed design.

The cutaway symbols illustrated as break lines in the drawings indicate a symbolic break in the length of the design for the decompression harness. The appearance of any portion of the article between the break lines forms no part of the claimed design.

(56) **References Cited**
U.S. PATENT DOCUMENTS
631,641 A * 8/1899 Janson A41F 11/02
2/305
1,536,965 A * 5/1925 Ocker A41F 9/002
224/638
3,099,331 A * 7/1963 Rose A47L 3/04
182/3
3,105,974 A * 10/1963 De Grazia A41F 3/00
2/310
4,243,028 A * 1/1981 Puyana A61F 13/108
602/62

1 Claim, 4 Drawing Sheets



(56)

References Cited

U.S. PATENT DOCUMENTS

5,500,959 A * 3/1996 Yewer, Jr. A61F 5/028
2/311
5,503,620 A * 4/1996 Danzger A61F 5/028
128/100.1
D381,428 S * 7/1997 Torok D24/190
6,053,883 A * 4/2000 Schiek, Sr. A61F 5/028
602/19
6,264,081 B1 * 7/2001 Wojciak A41F 9/002
2/312
6,352,074 B1 * 3/2002 Okada A61F 5/028
128/100.1
D457,688 S * 5/2002 Cordero D2/627
D468,020 S * 12/2002 Hoffman D24/190
D512,535 S * 12/2005 Willows D29/101.2
D658,350 S * 5/2012 Goodman D2/627
9,210,978 B1 * 12/2015 Hunt A45C 11/38
2006/0282032 A1 * 12/2006 Smith A61F 5/028
602/19
2013/0009445 A1 * 1/2013 Cooper A61F 5/026
297/468

* cited by examiner

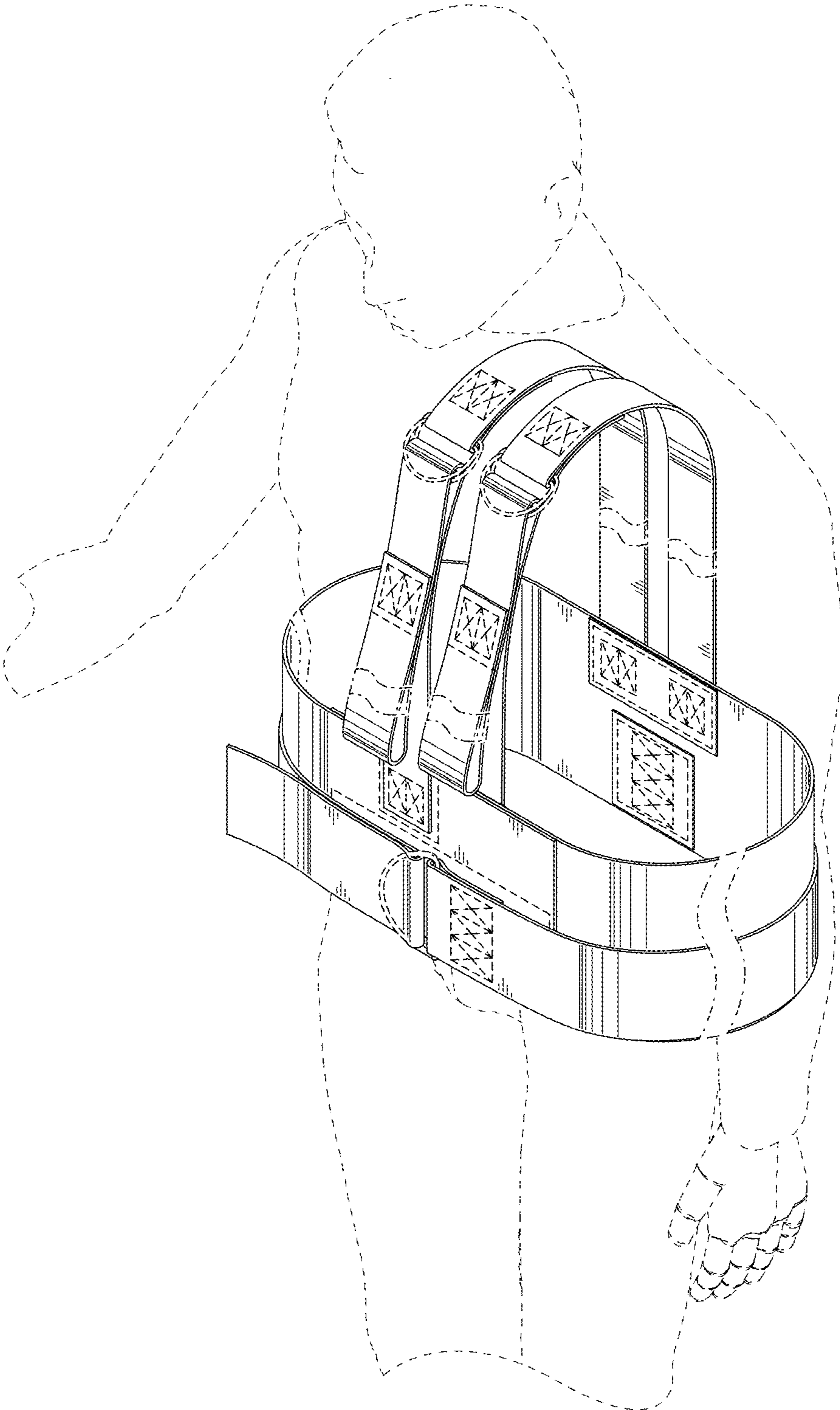


FIG. 1

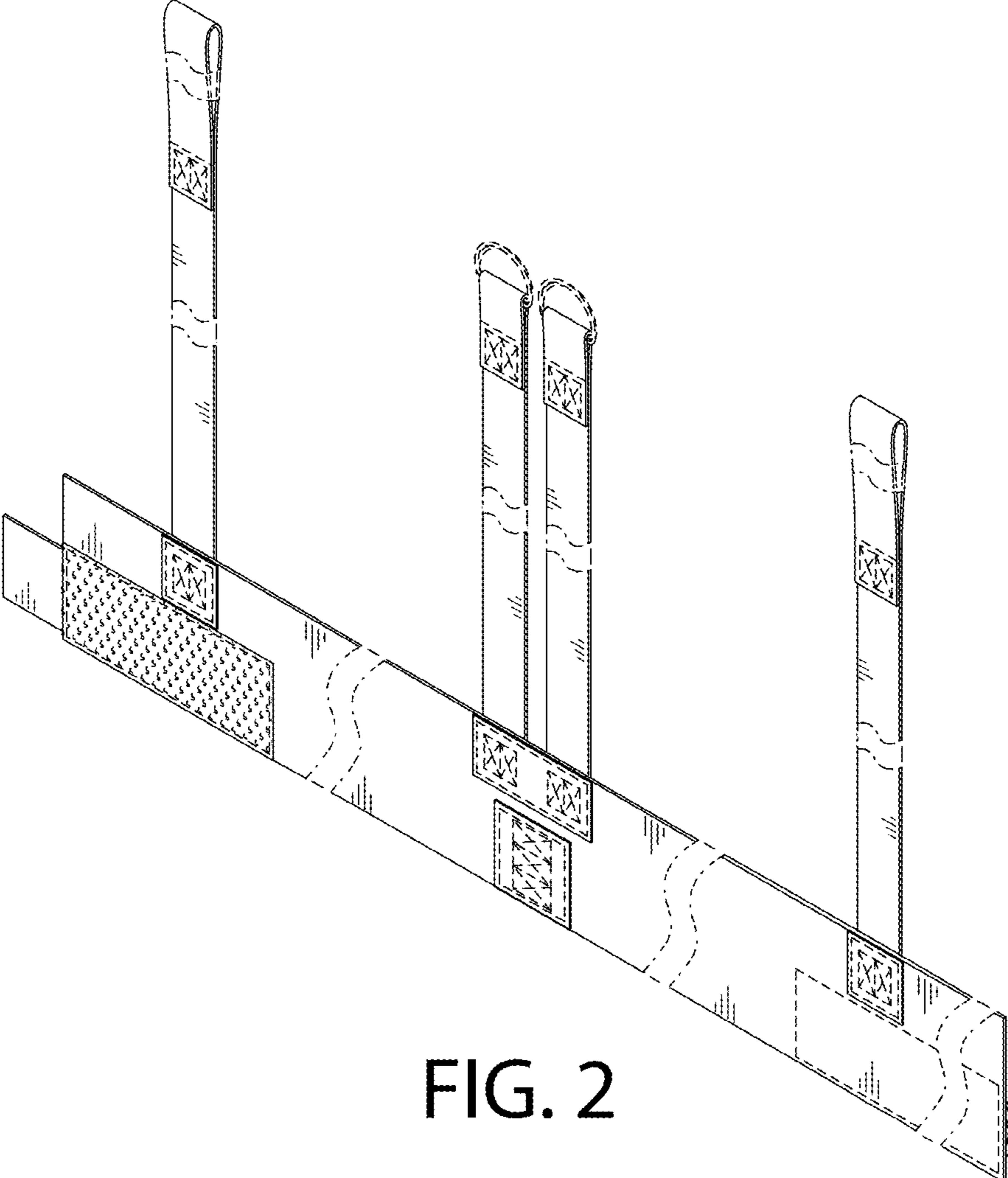


FIG. 2

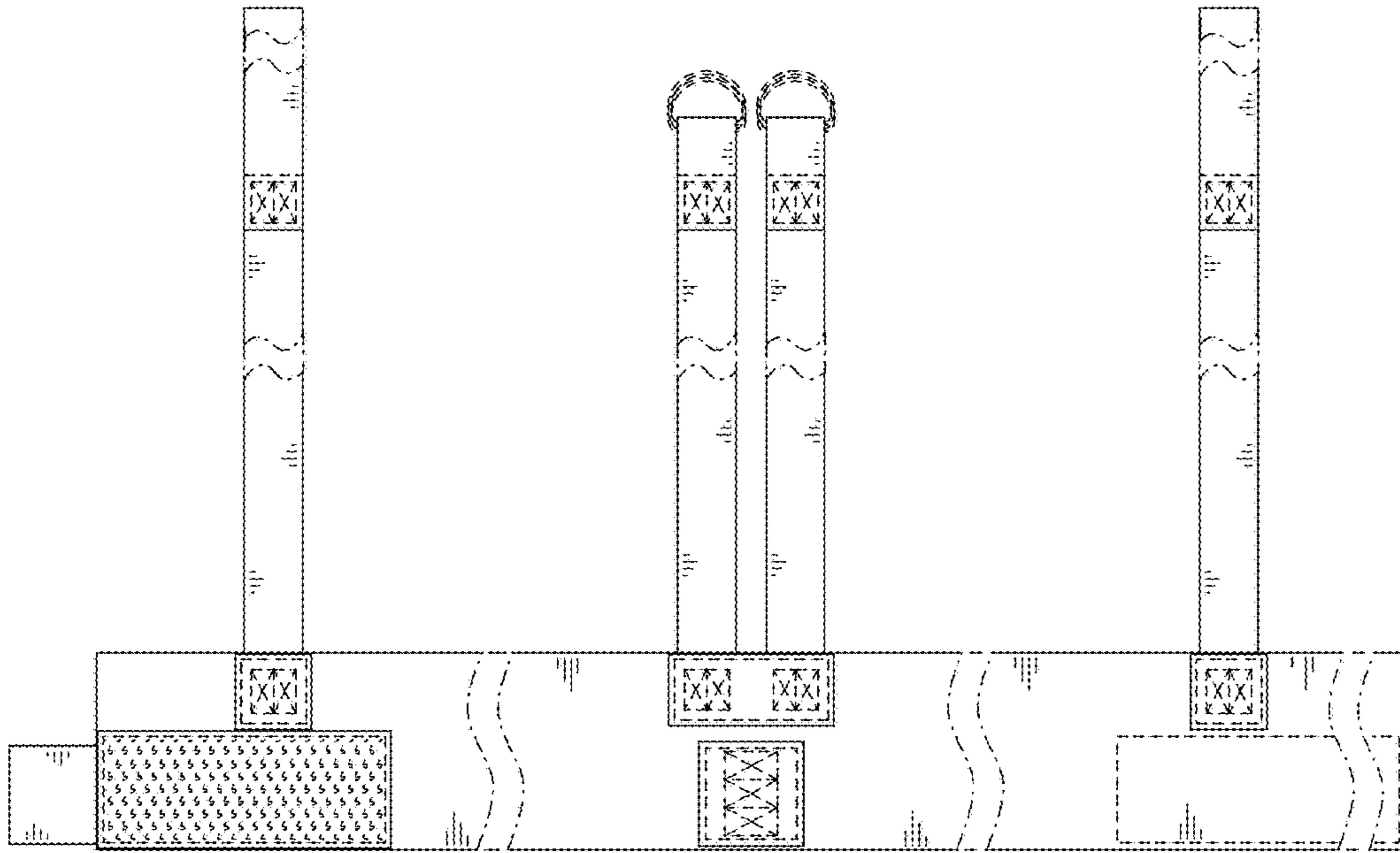


FIG. 3

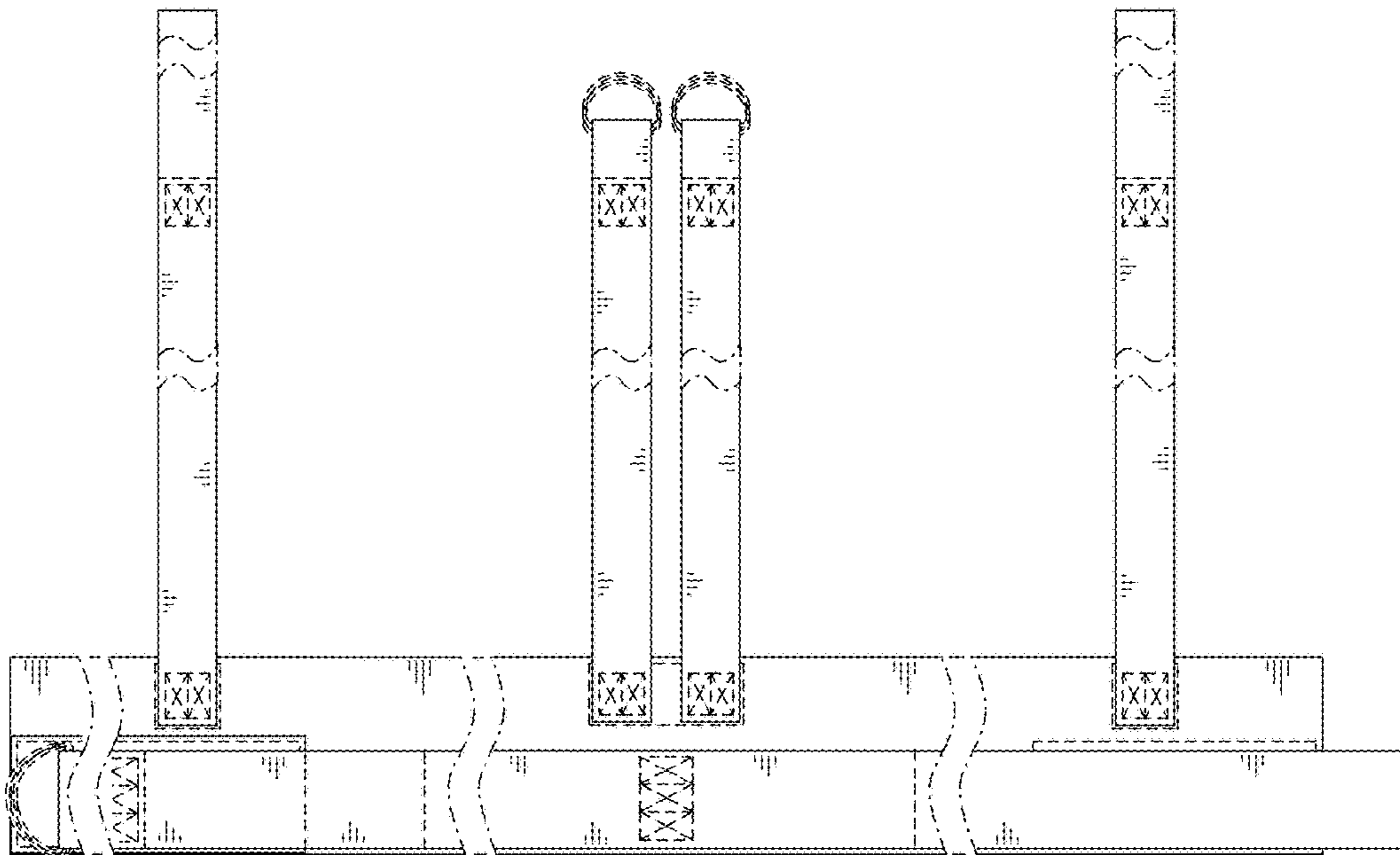


FIG. 4

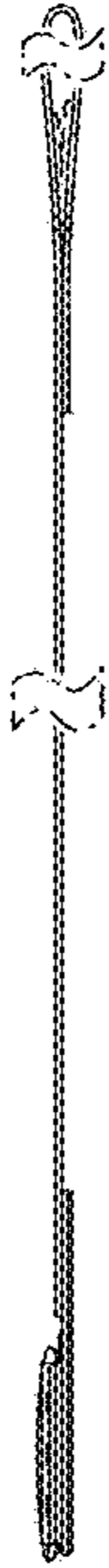


FIG. 5

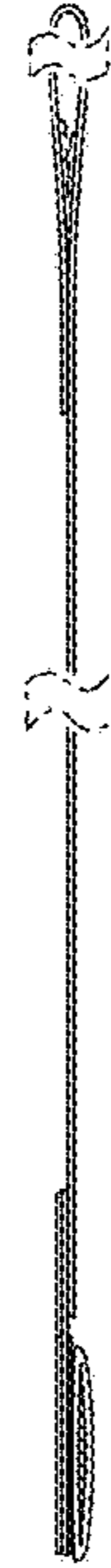


FIG. 6



FIG. 7

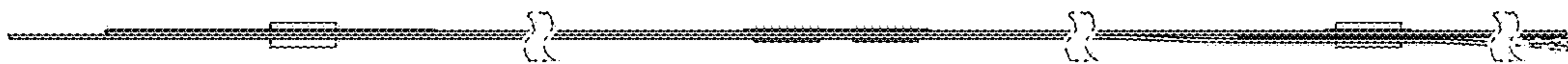


FIG. 8