



US00D778521S

(12) **United States Design Patent**  
**Bell**

(10) **Patent No.:** **US D778,521 S**

(45) **Date of Patent:** **\*\* Feb. 7, 2017**

(54) **WHEELBARROW WHEELBASE**

D577,475 S \* 9/2008 Schneider ..... D34/16  
D751,263 S \* 3/2016 Hiestand ..... D34/16  
2005/0212237 A1\* 9/2005 Lin ..... B62B 1/002  
280/47.31

(71) Applicant: **Interconnect Specialties, Incorporated**, Diamond Bar, CA (US)

\* cited by examiner

(72) Inventor: **Thomas L. Bell**, Diamond Bar, CA (US)

*Primary Examiner* — Cynthia Ramirez

(\*\*) Term: **15 Years**

(57) **CLAIM**

(21) Appl. No.: **29/530,173**

The ornamental design for a wheelbarrow wheelbase, as shown and described.

(22) Filed: **Jun. 15, 2015**

(51) **LOC (10) Cl.** ..... **12-02**

(52) **U.S. Cl.**

USPC ..... **D34/27**; D34/16

(58) **Field of Classification Search**

USPC ..... D34/12-27; 280/47.31, 653, 47.18, 280/47.23, 47.26, 47.11

CPC ..... B62B 1/20; B62B 1/002; B62B 1/262; B62B 3/02; B62B 3/10; B62B 3/006; B62B 3/005; B62B 3/002; B62B 3/14; B62B 3/144; B62B 3/1496; B62B 3/1404; B62B 3/182; B62B 3/186

See application file for complete search history.

**DESCRIPTION**

FIG. 1 is a perspective view of a first embodiment of a wheelbarrow wheelbase, embodying my new design; FIG. 2 is a rear elevational view thereof; FIG. 3 is a front elevational view thereof; FIG. 4 is a left side elevation thereof; FIG. 5 is a left side elevation thereof; FIG. 6 is a top plan view thereof; FIG. 7 is a bottom plan view thereof; FIG. 8 is a perspective view of a second embodiment of a wheelbarrow wheelbase, embodying my new design; FIG. 9 is a rear elevational view thereof; FIG. 10 is a front elevational view thereof; FIG. 11 is a left side elevation thereof; FIG. 12 is a left side elevation thereof; FIG. 13 is a top plan view thereof; and, FIG. 14 is a bottom plan view thereof.

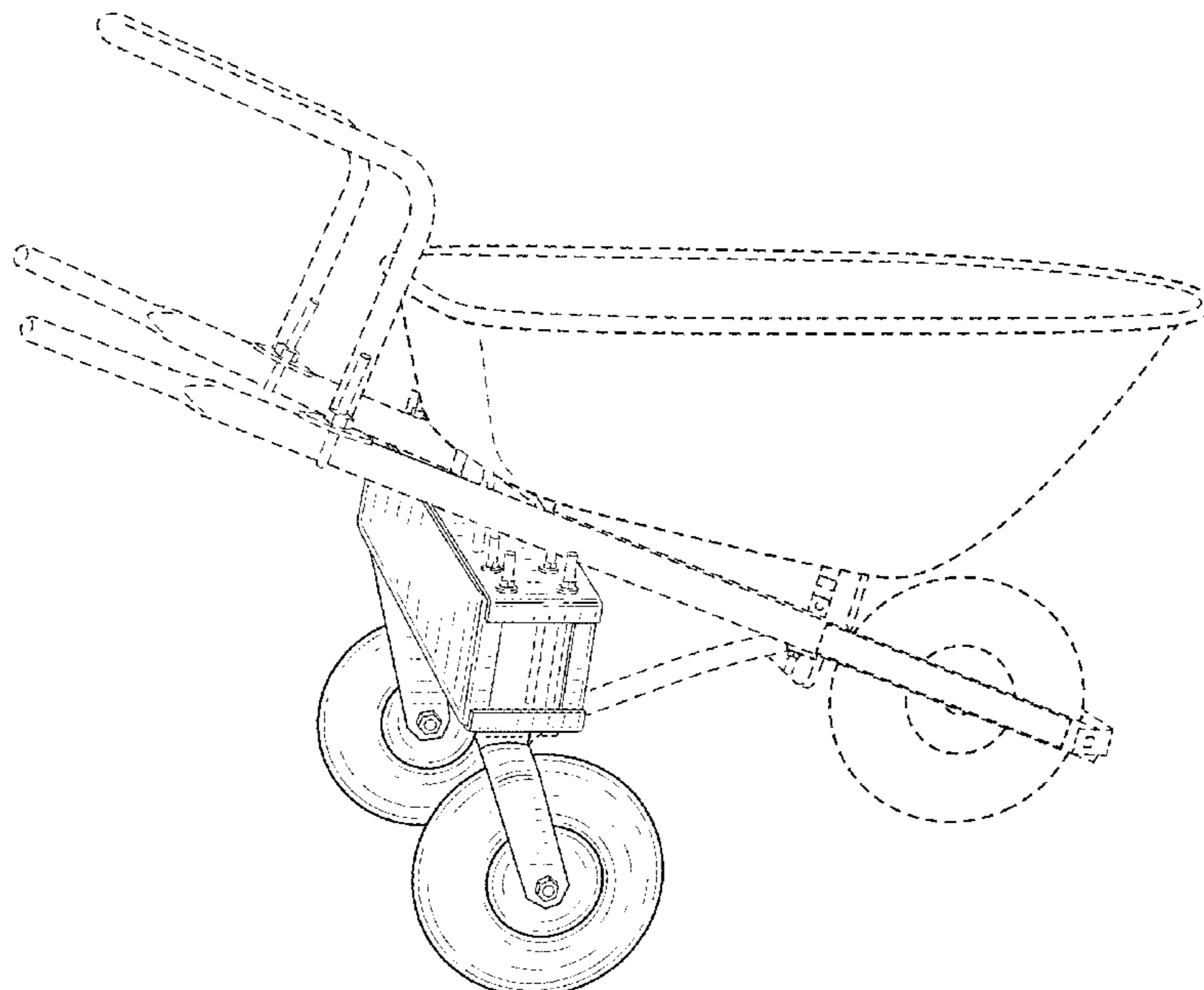
The broken lines shown in the drawings are for the purpose of illustrating portions of the wheelbarrow wheelbase and form no part of the claimed design. The broken line showing of a wheel barrow in FIGS. 1 and 8 is included to illustrate environment and form no part of the claimed design.

(56) **References Cited**

**U.S. PATENT DOCUMENTS**

5,242,177 A \* 9/1993 Morris ..... B62B 1/20  
280/47.31  
6,099,025 A \* 8/2000 Rohrs ..... B62B 1/20  
280/47.17  
6,286,631 B1 \* 9/2001 Kimble ..... B60T 1/065  
188/19  
D515,766 S \* 2/2006 Dunbar ..... D34/12  
7,140,630 B2 \* 11/2006 Abel ..... B60D 1/00  
280/288.4  
D577,174 S \* 9/2008 Schneider ..... D34/16

**1 Claim, 8 Drawing Sheets**



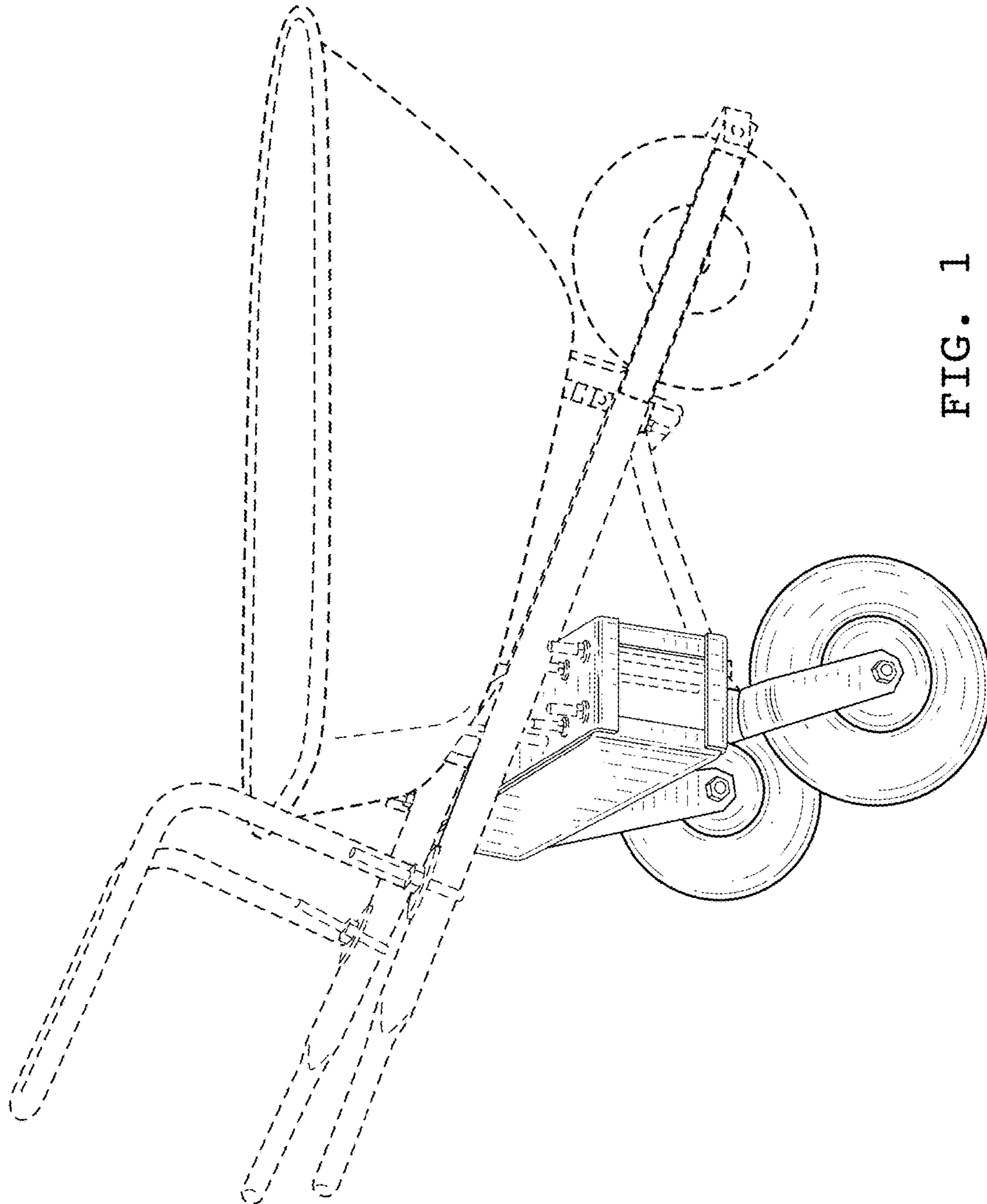


FIG. 1

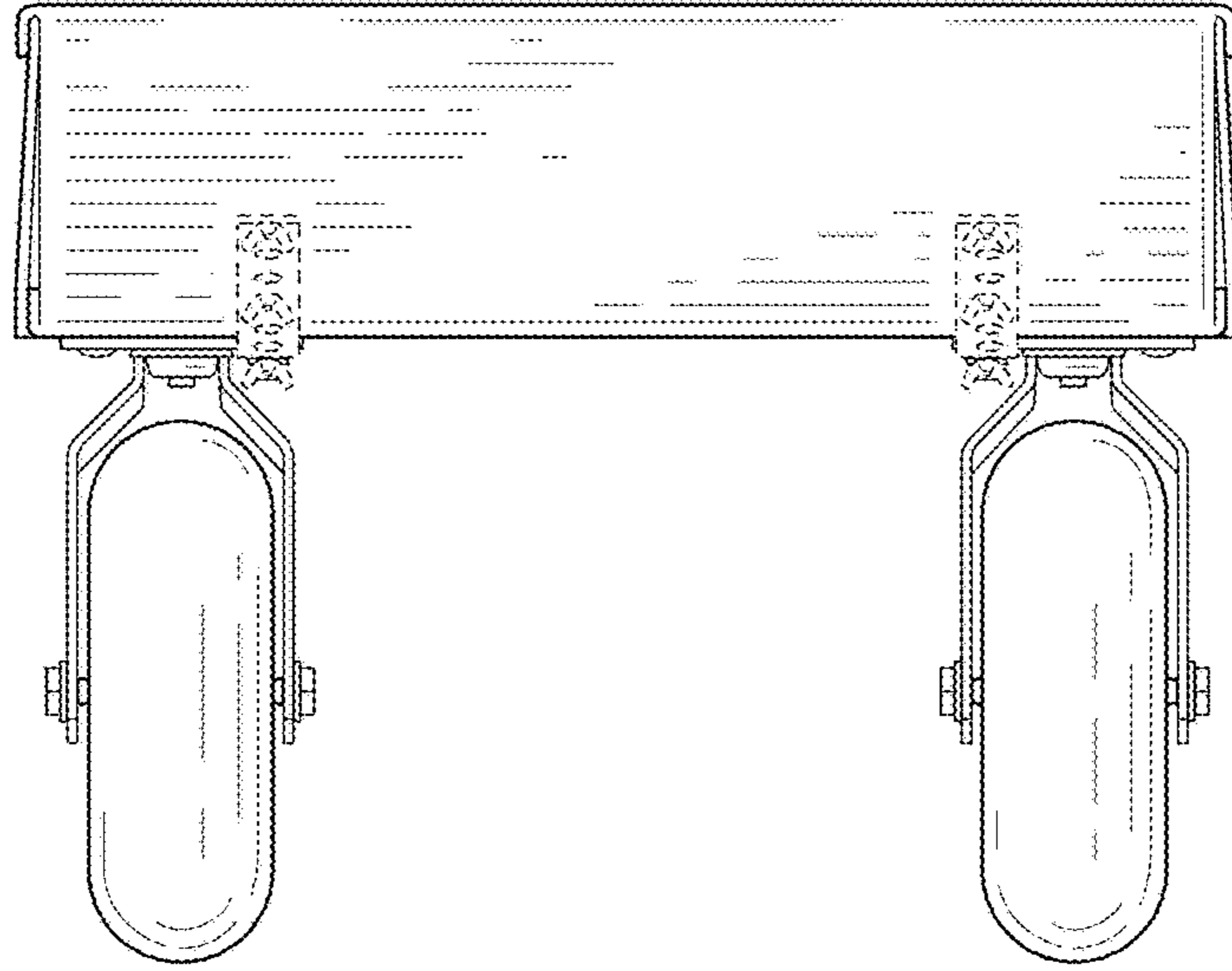


FIG. 2

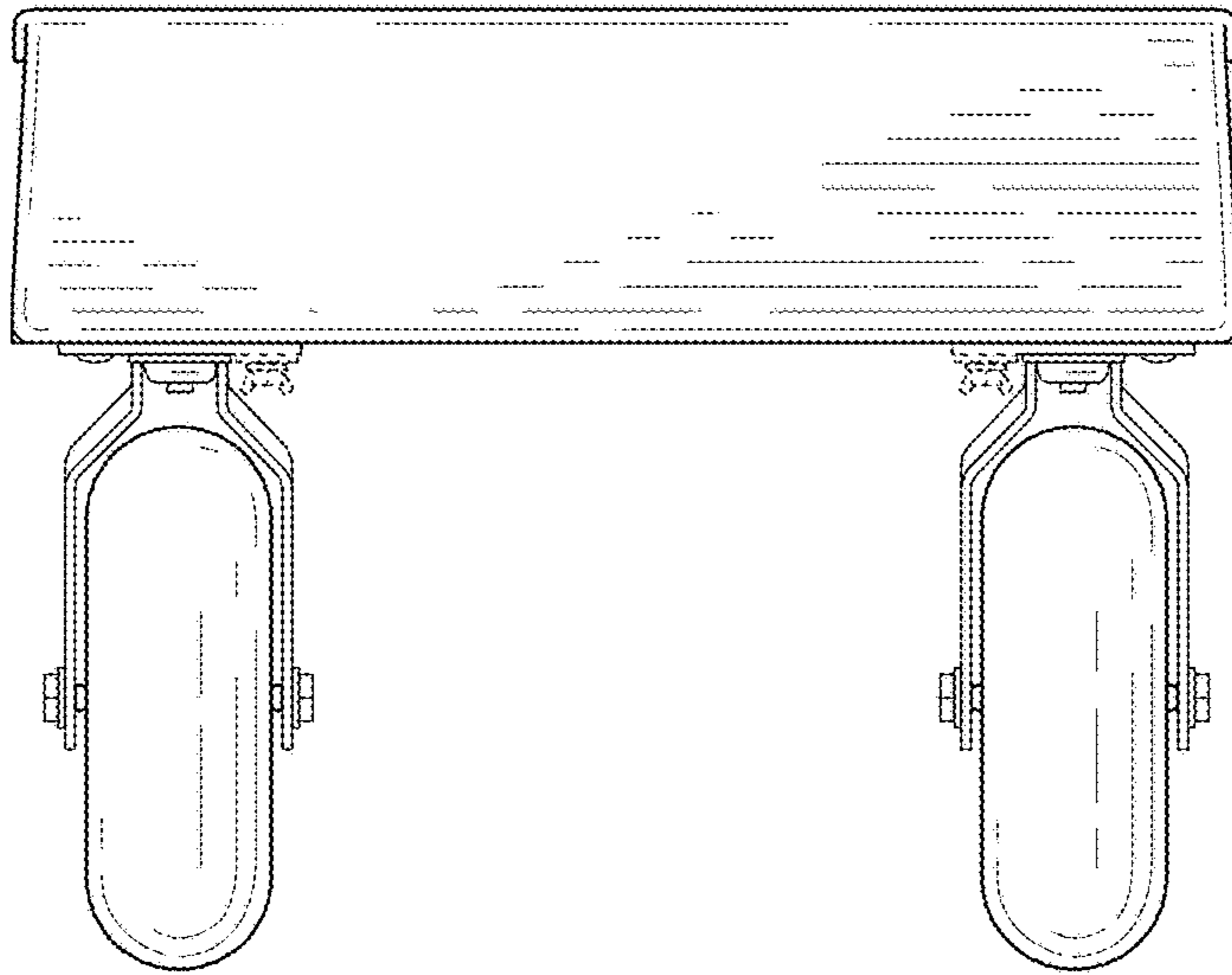


FIG. 3

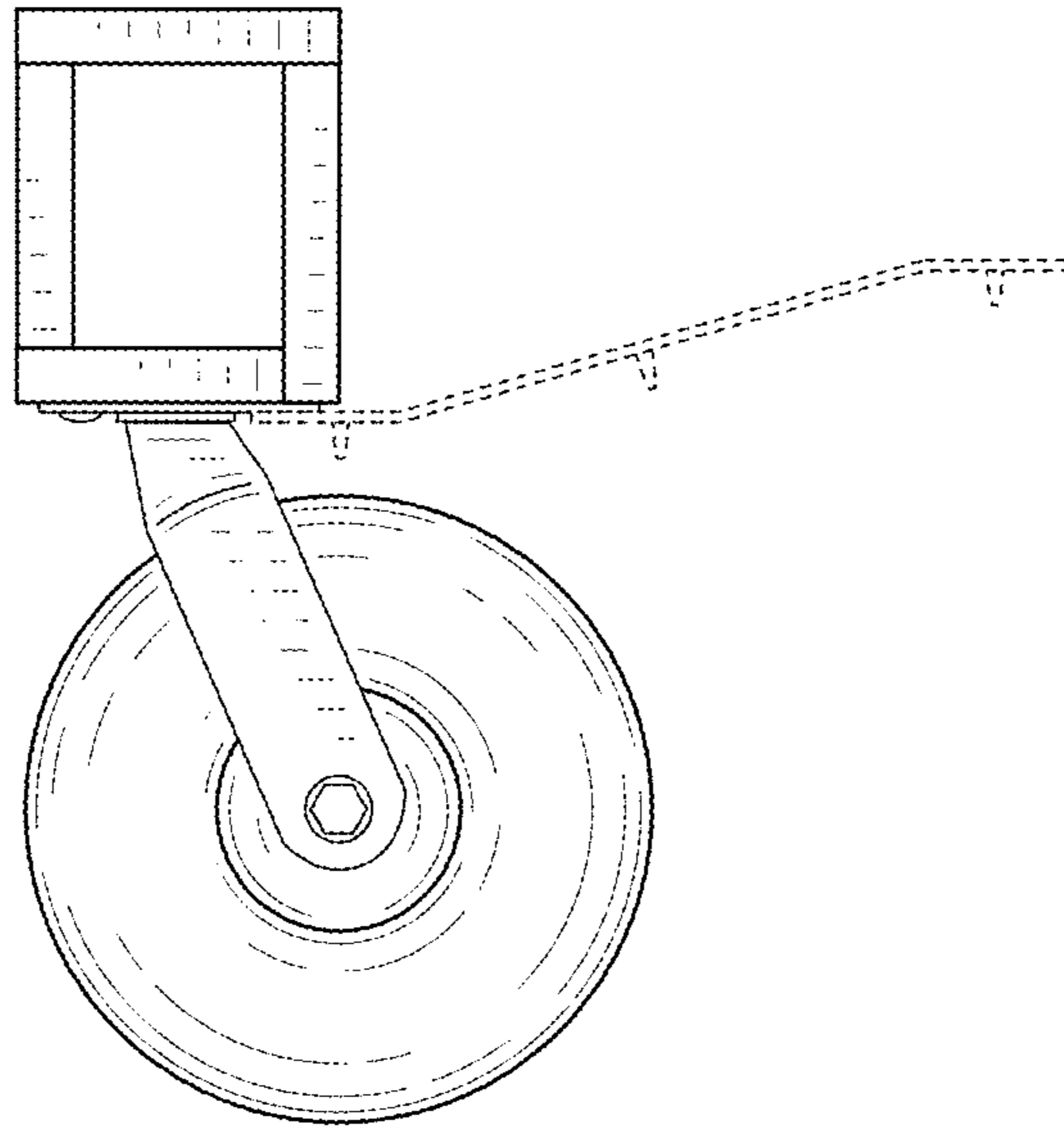


FIG. 4

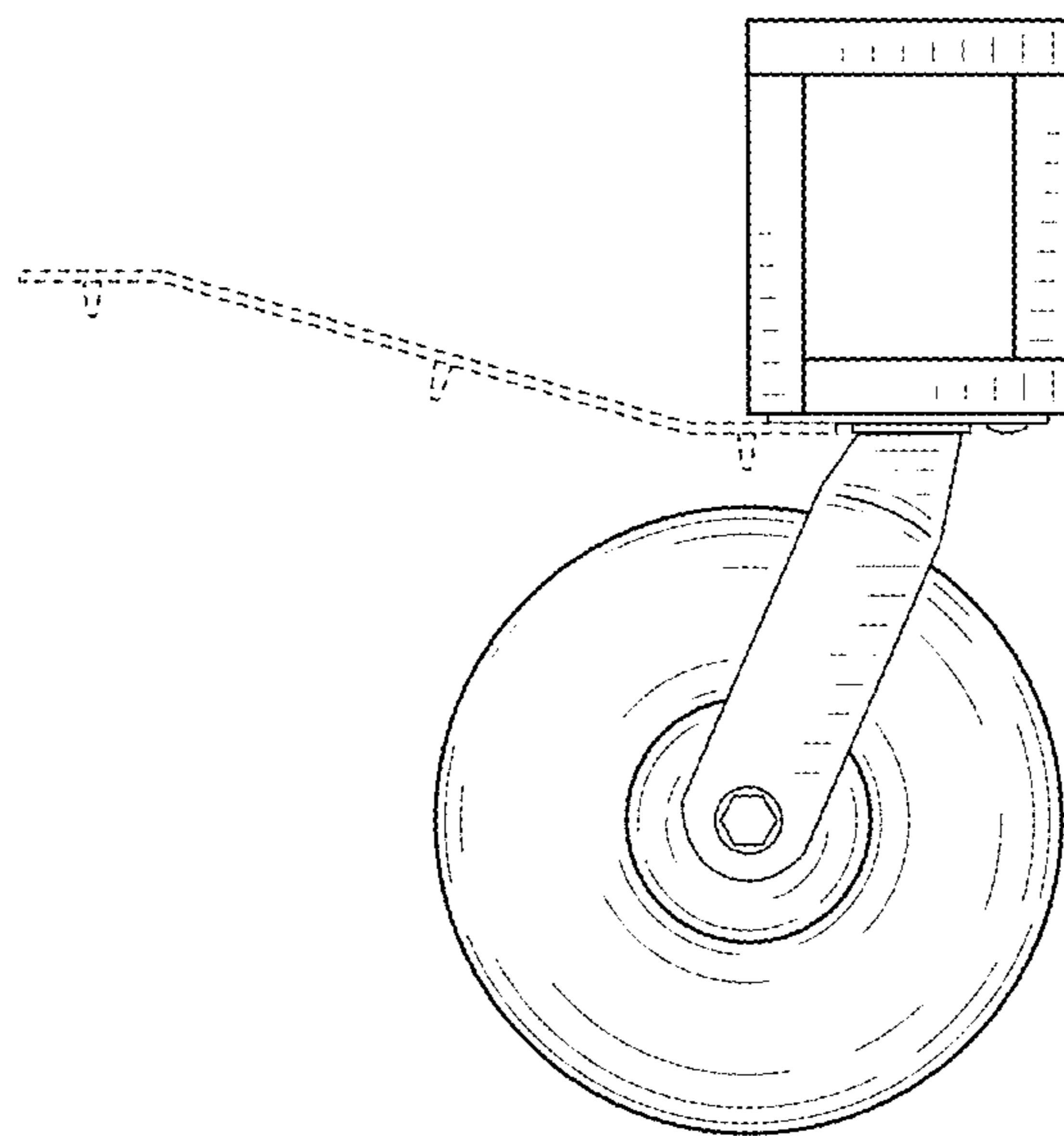


FIG. 5

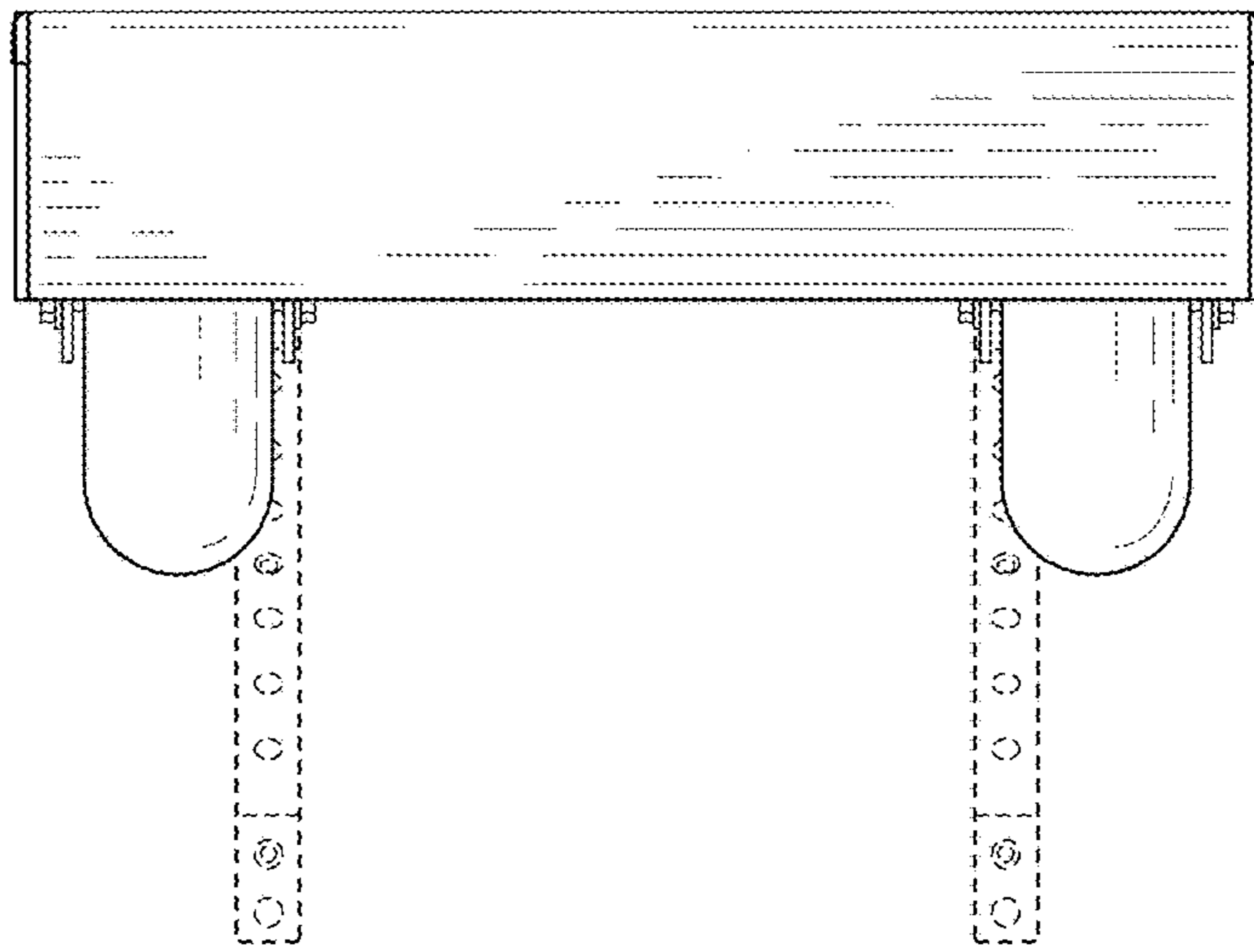


FIG. 6

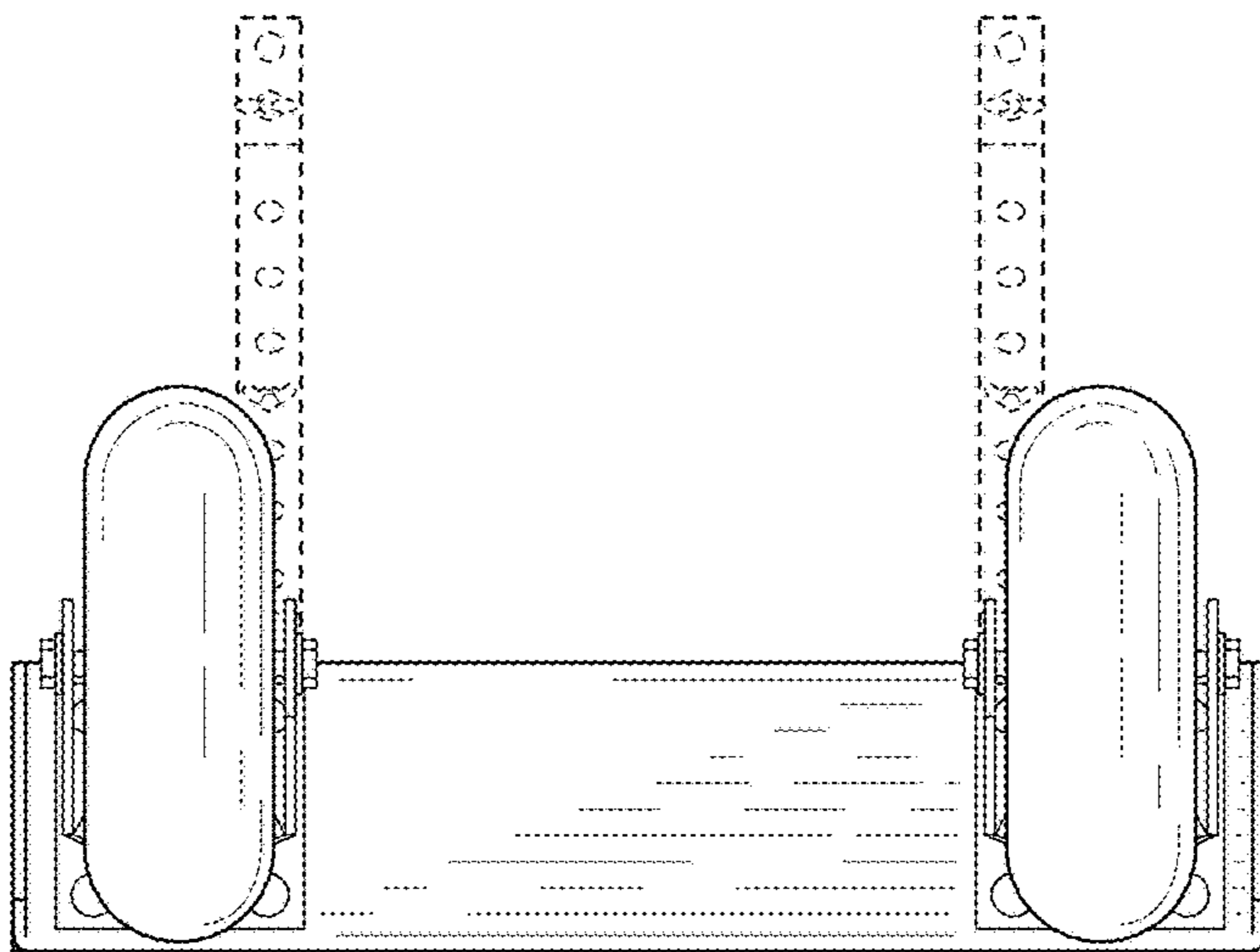


FIG. 7

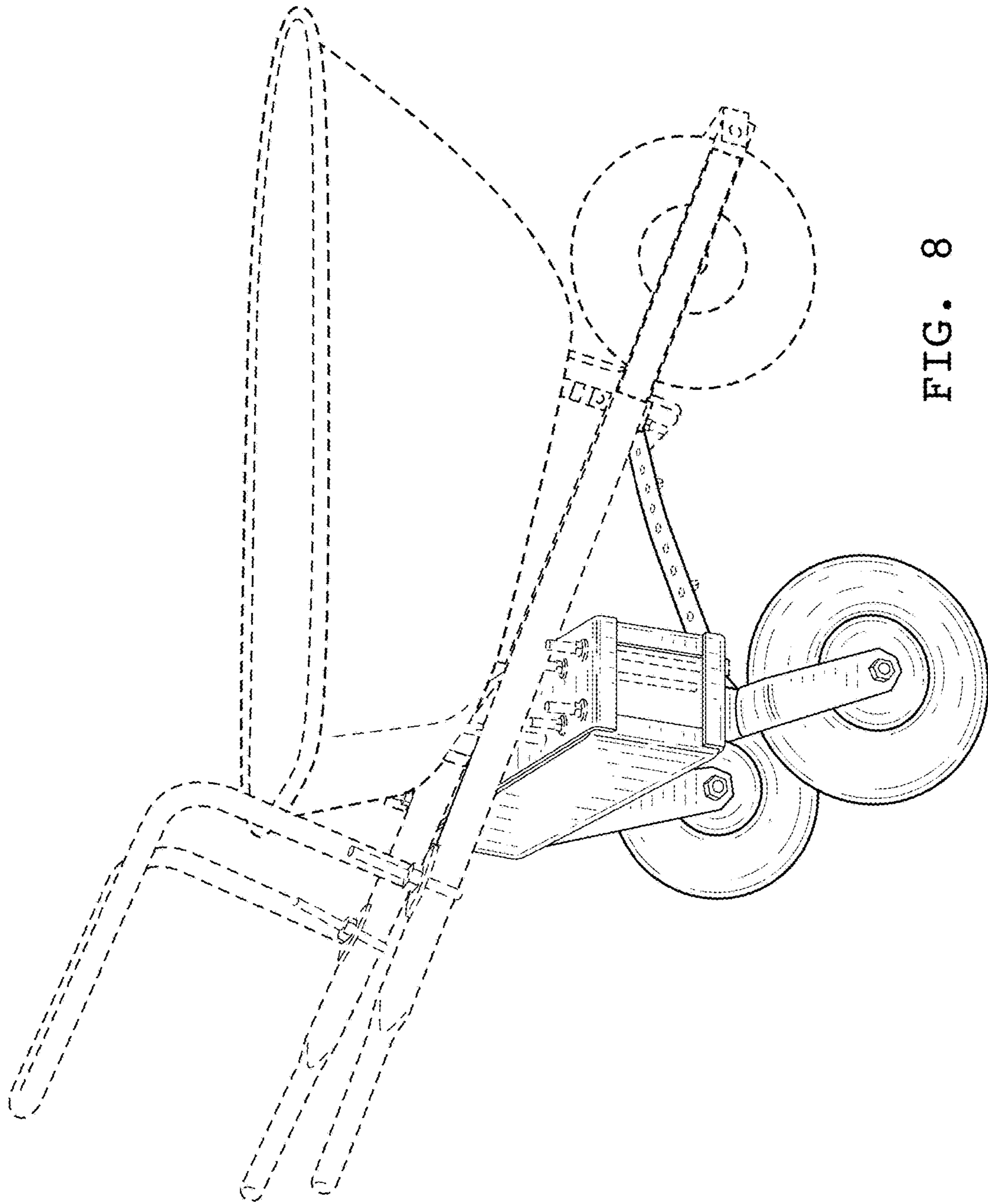


FIG. 8

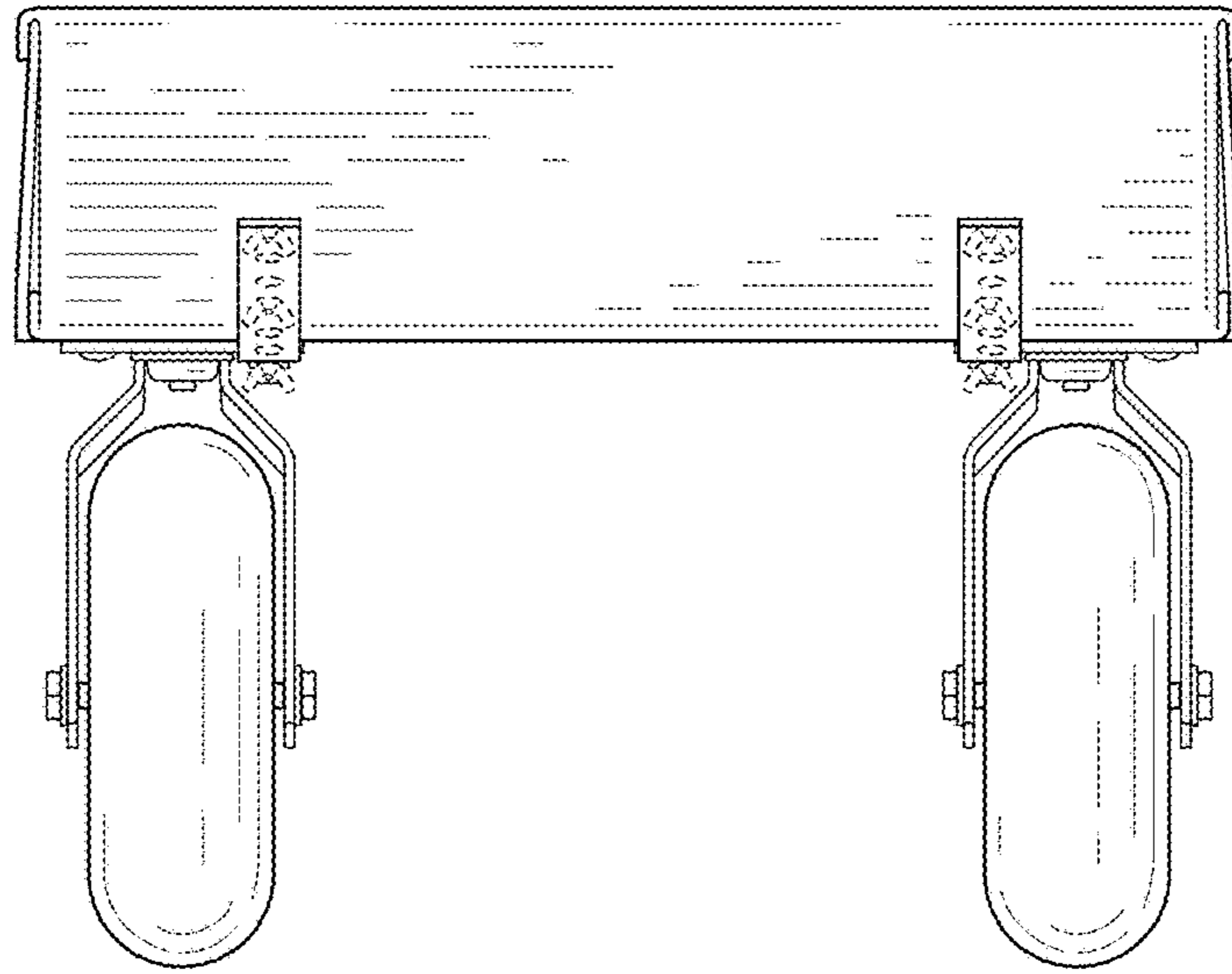


FIG. 9

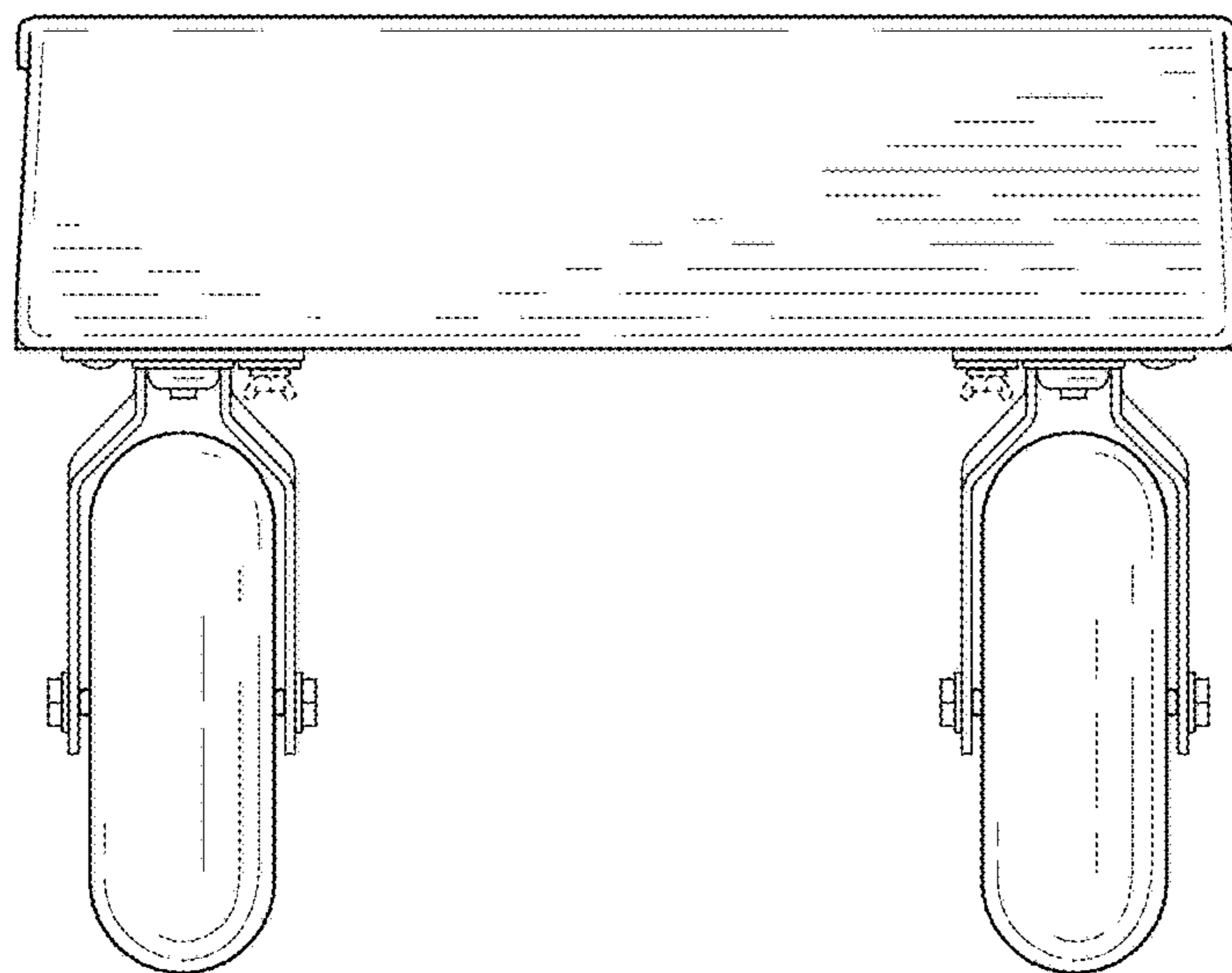


FIG. 10

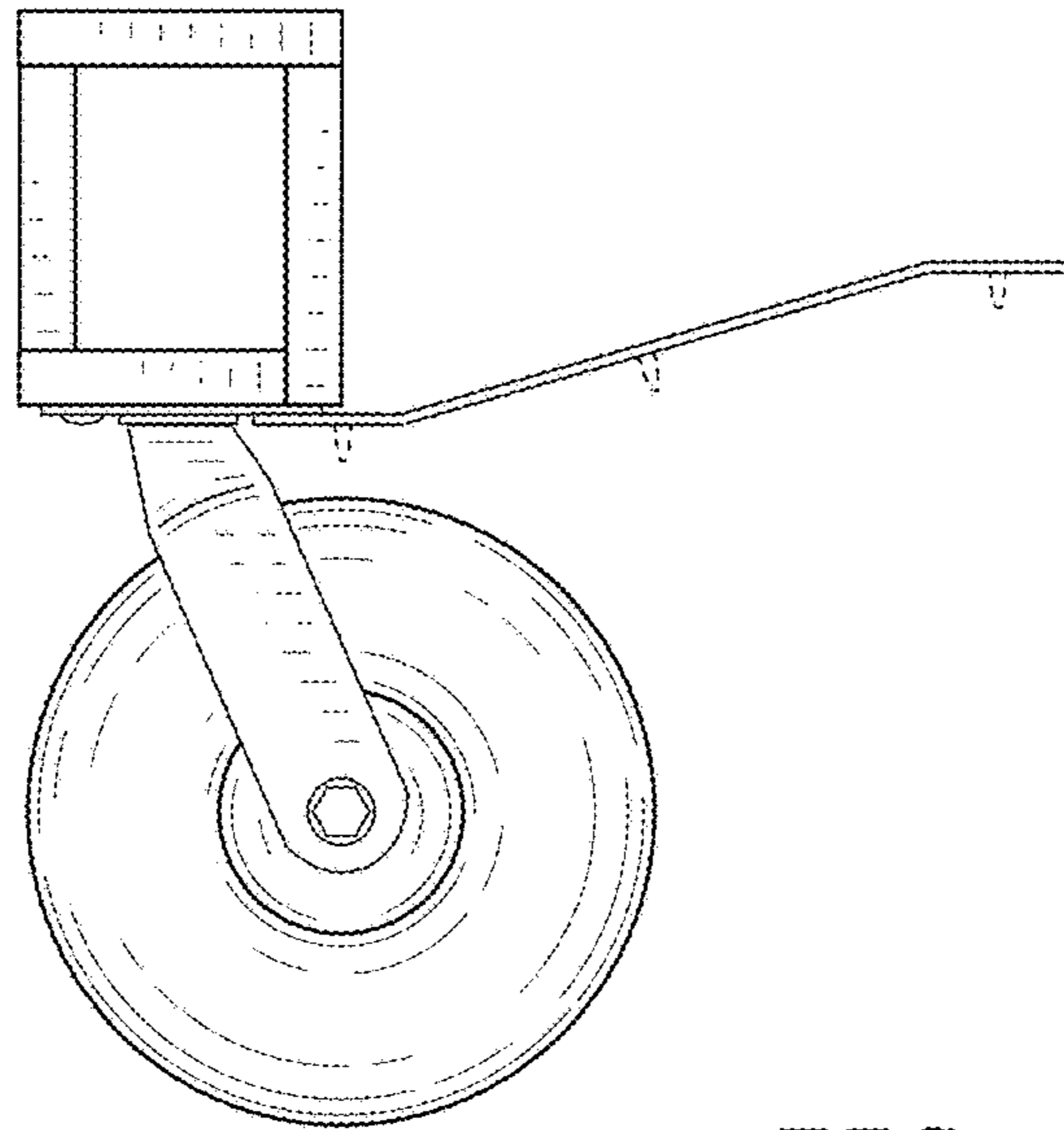


FIG. 11

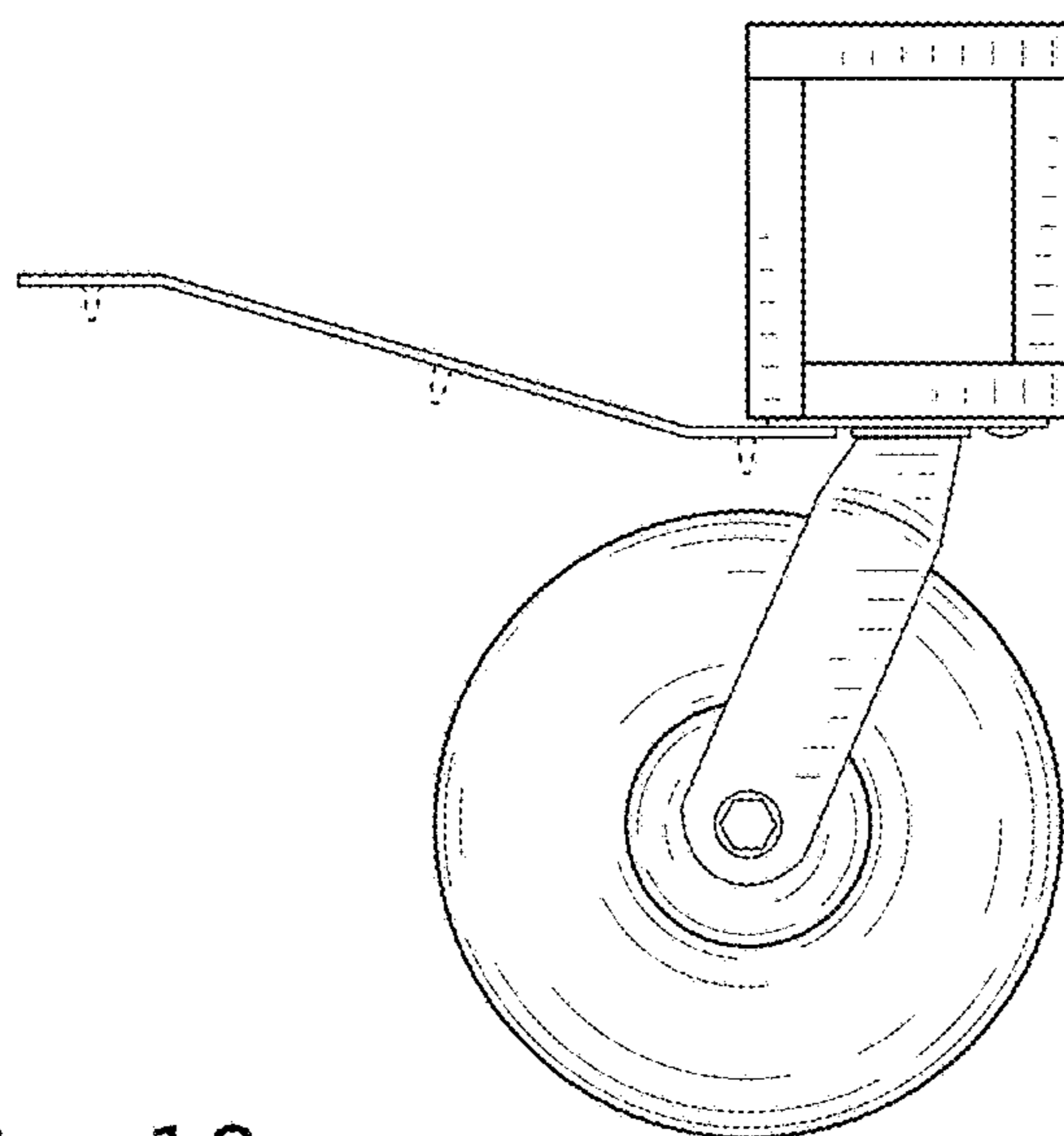


FIG. 12



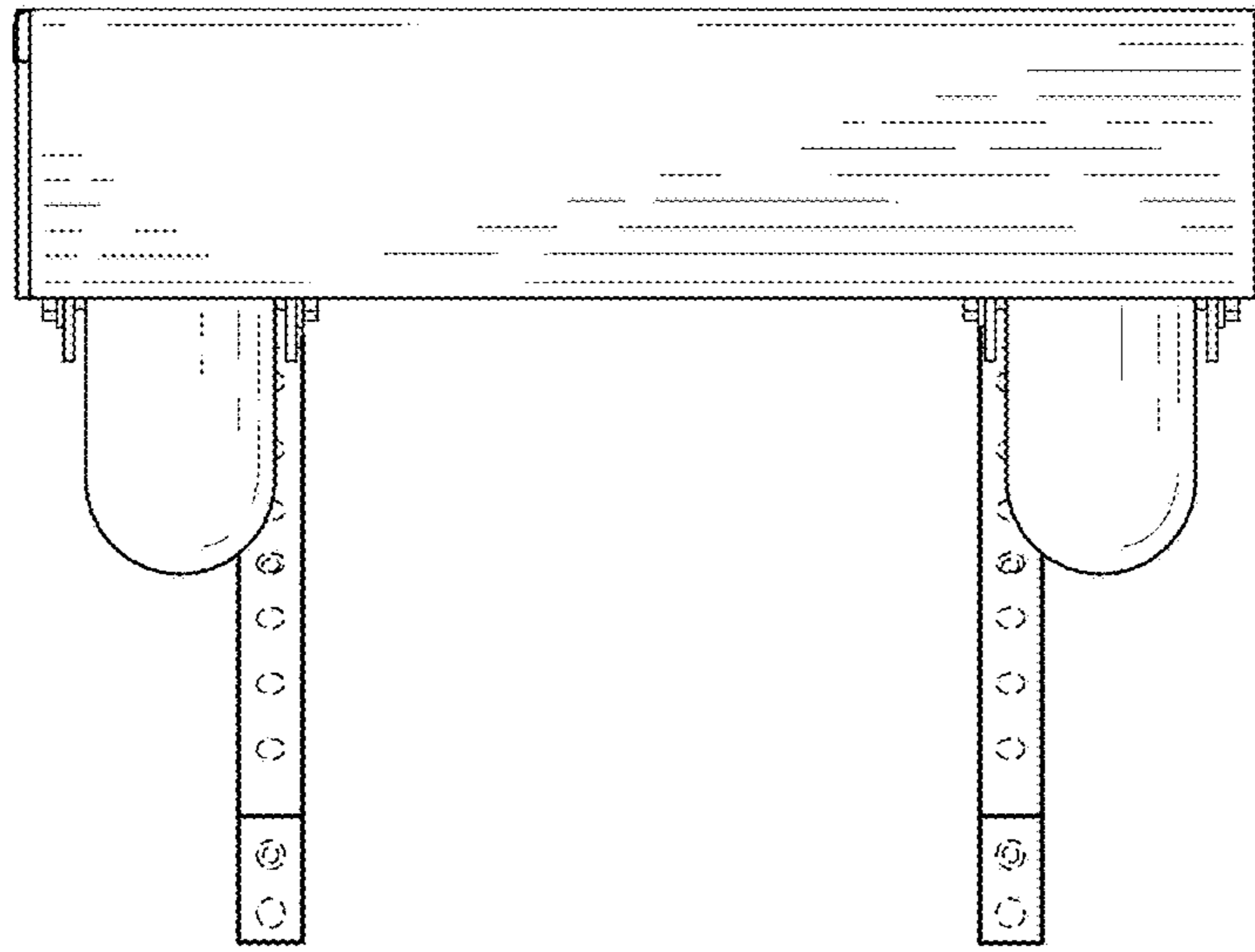


FIG. 13

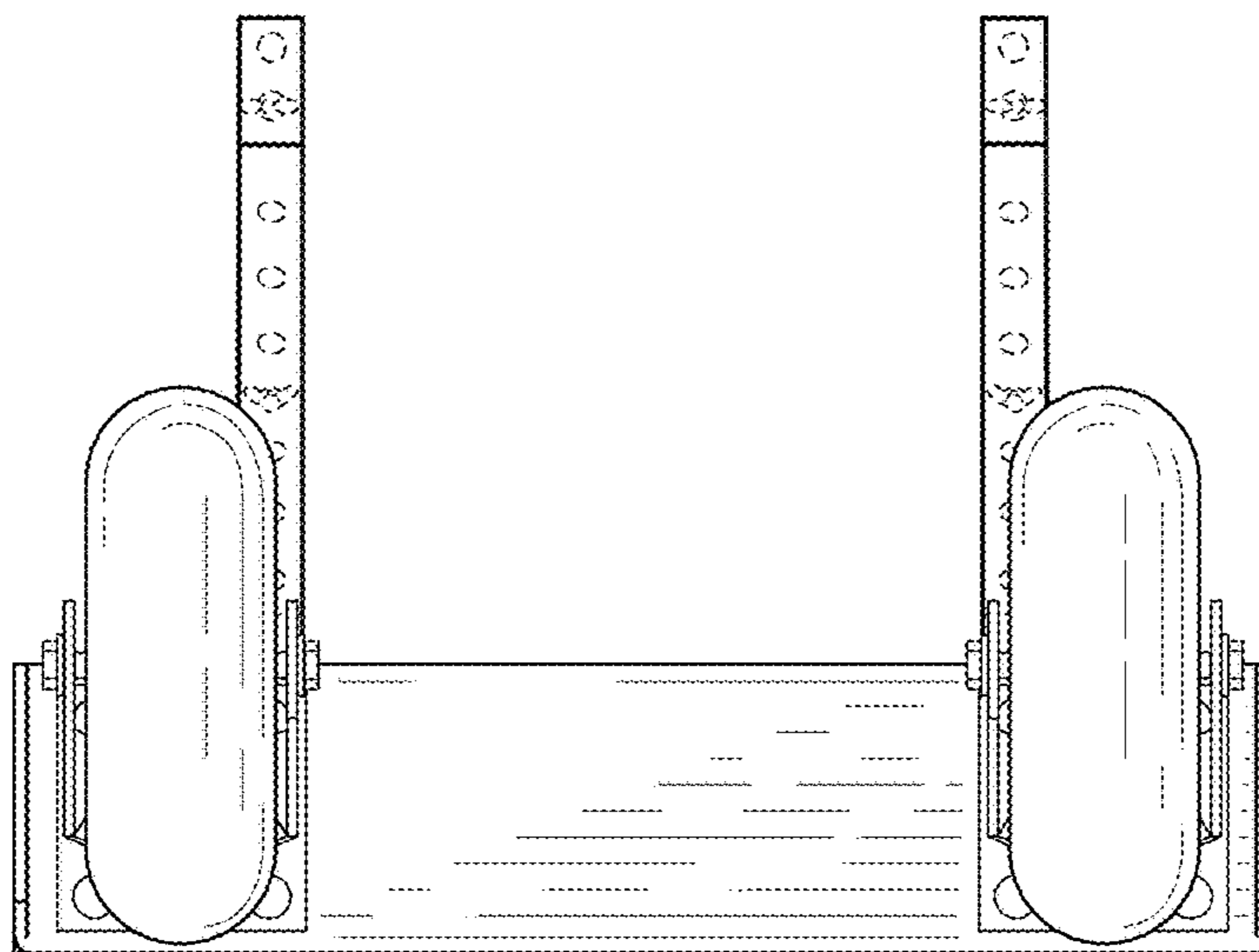


FIG. 14