



US00D778519S

(12) **United States Design Patent**
Luburic

(10) **Patent No.:** **US D778,519 S**

(45) **Date of Patent:** **** Feb. 7, 2017**

(54) **CONTAINER WITH INTEGRATED HANDLES**

(71) Applicant: **BWAY Corporation**, Atlanta, GA (US)

(72) Inventor: **Franco Luburic**, Costa Mesa, CA (US)

(73) Assignee: **BWAY Corporation**, Atlanta, GA (US)

(**) Term: **14 Years**

(21) Appl. No.: **29/521,979**

(22) Filed: **Mar. 26, 2015**

(51) **LOC (10) Cl.** **07-07**

(52) **U.S. Cl.**
USPC **D32/53**

(58) **Field of Classification Search**
USPC ... D32/53-54; 220/904, 659, 669, 752, 753;
15/264
CPC B65D 1/42; B65D 25/32; A47L 13/58
See application file for complete search history.

6,808,081	B1	10/2004	Citro	
7,172,088	B2	2/2007	McDade et al.	
D545,519	S	6/2007	King	
7,399,017	B1	7/2008	Lasseigne et al.	
7,938,292	B2	5/2011	Chornenky et al.	
8,281,952	B2	10/2012	Robellard et al.	
8,438,921	B1	5/2013	Bland	
D683,920	S *	6/2013	Bonafide	D32/53
D684,327	S *	6/2013	Bonafide	D32/53
D684,328	S *	6/2013	Vasilakes	D32/53
8,459,490	B1	6/2013	McTaggart et al.	
8,757,428	B2	6/2014	Daudelin et al.	
D709,263	S *	7/2014	Carnesecca	D32/53
8,806,803	B1	8/2014	Mitchell et al.	
8,881,930	B2	11/2014	Banik	
D726,385	S	4/2015	O'Leary et al.	
9,067,462	B1	6/2015	Pressler et al.	
D739,626	S *	9/2015	Condiff	D32/53
D739,627	S *	9/2015	Condiff	D32/53

(Continued)

Primary Examiner — Robin V Webster

(74) *Attorney, Agent, or Firm* — Morris, Manning & Martin, LLP; Daniel E. Sineway, Esq.; Bryan D. Stewart, Esq.

(56) **References Cited**

U.S. PATENT DOCUMENTS

3,198,377	A	8/1965	Buckley	
3,829,926	A	8/1974	Salladay	
4,431,326	A	2/1984	Braithwaite et al.	
4,967,918	A	11/1990	Long et al.	
5,207,348	A	5/1993	Fischer et al.	
5,390,818	A	2/1995	LaBuda	
5,456,357	A	10/1995	Wenner et al.	
5,547,104	A	8/1996	Parker	
5,735,422	A *	4/1998	Binter	B65D 21/0204 215/6
5,803,303	A	9/1998	Timm et al.	
5,806,709	A	9/1998	Marshall	
5,964,372	A *	10/1999	Dubois	B65D 1/46 220/642
6,199,718	B1	3/2001	Ellis et al.	
6,471,221	B1	10/2002	McGarry et al.	
D469,233	S	1/2003	Begnani	

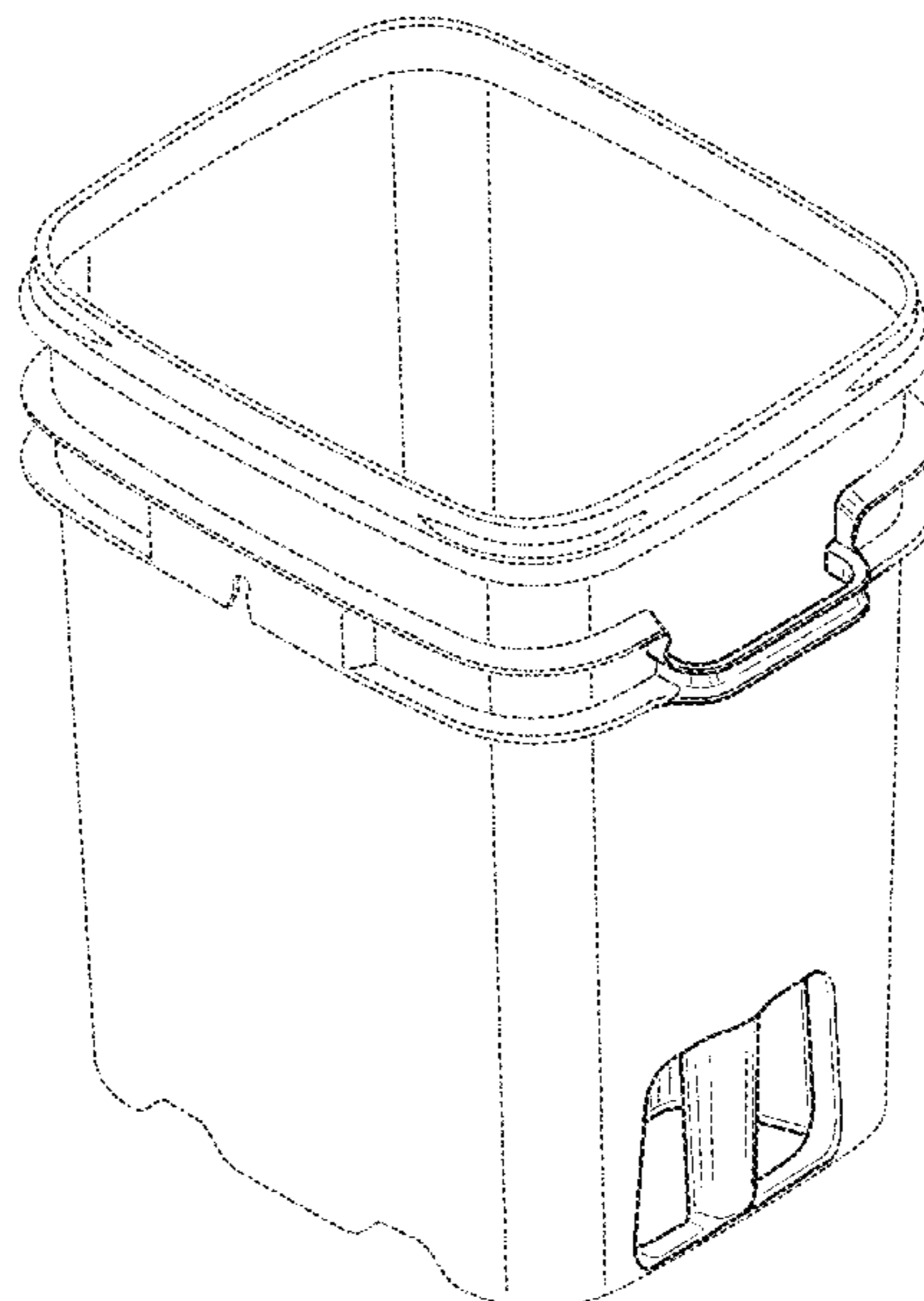
(57) **CLAIM**

The ornamental design for the container with integrated handles, as shown and described.

DESCRIPTION

FIG. 1 is a perspective view of a container with integrated handles showing my new design;
FIG. 2 is a front view thereof;
FIG. 3 is a side view thereof;
FIG. 4 is the other side view thereof;
FIG. 5 is a top view thereof; and,
FIG. 6 is a bottom view thereof.
The broken lines shown are included for illustration and form no part of the claimed design.

1 Claim, 6 Drawing Sheets



(56)

References Cited

U.S. PATENT DOCUMENTS

D743,136	S	*	11/2015	Condiff	D32/53
2003/0116577	A1		6/2003	Slongo et al.		
2003/0168460	A1		9/2003	von Holdt, Sr. et al.		
2006/0175340	A1		8/2006	Garone et al.		
2006/0243736	A1		11/2006	Kline et al.		
2007/0084870	A1		4/2007	Luburic et al.		
2007/0119854	A1		5/2007	Rittmann et al.		
2009/0032542	A1		2/2009	Temple et al.		
2009/0266738	A1		10/2009	Dunford et al.		
2011/0163107	A1		7/2011	Saunders et al.		
2014/0027454	A1		1/2014	Banik et al.		
2014/0076893	A1		3/2014	Check et al.		
2014/0097586	A1		4/2014	Enguita et al.		
2014/0327258	A1		11/2014	Ring et al.		
2014/0374425	A1		12/2014	Duckett		
2015/0225124	A1		8/2015	Persson et al.		
2015/0321796	A1		11/2015	O'Leary et al.		
2015/0360818	A1		12/2015	Condiff		

* cited by examiner

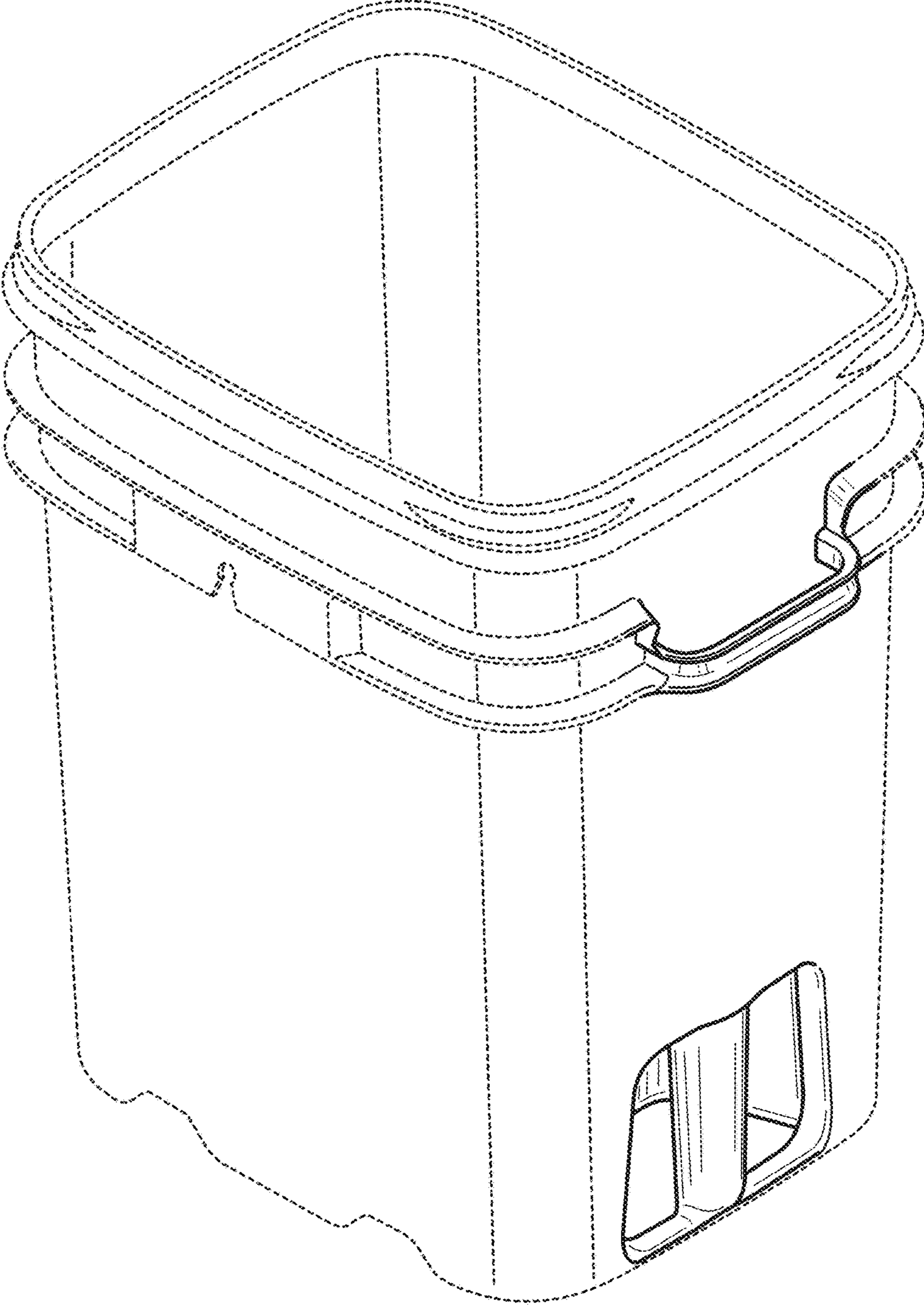


FIG. 1

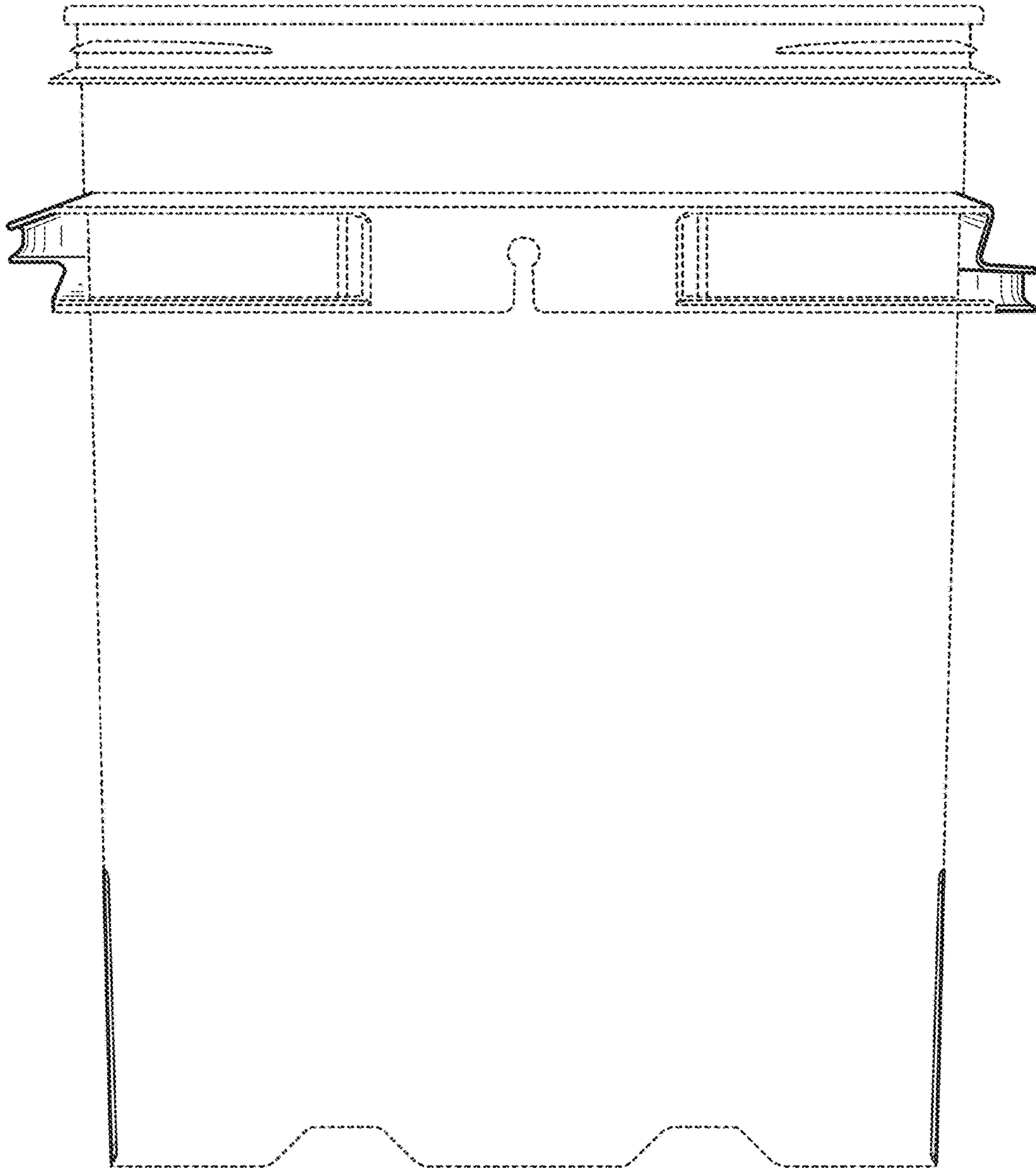


FIG. 2

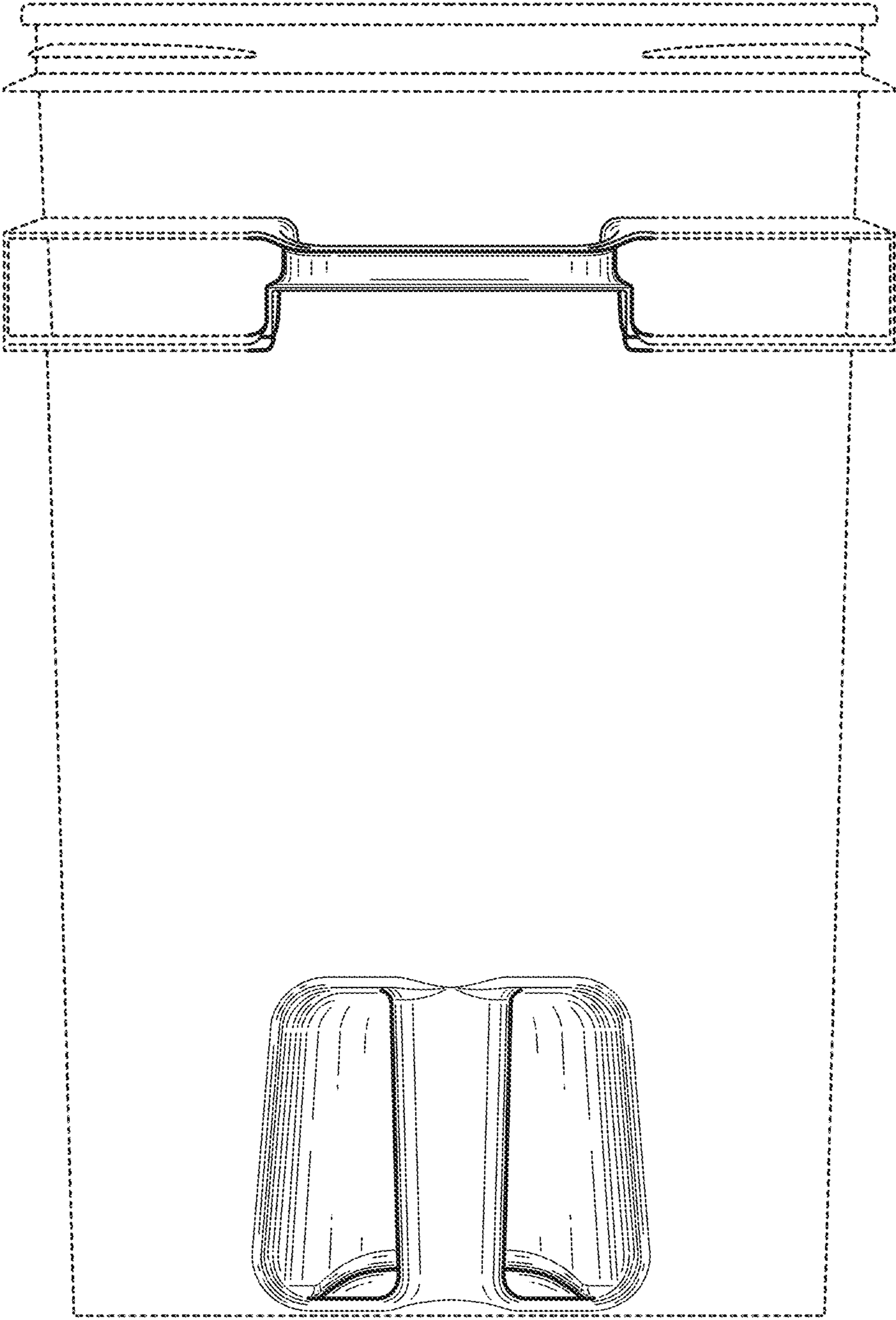


FIG. 3

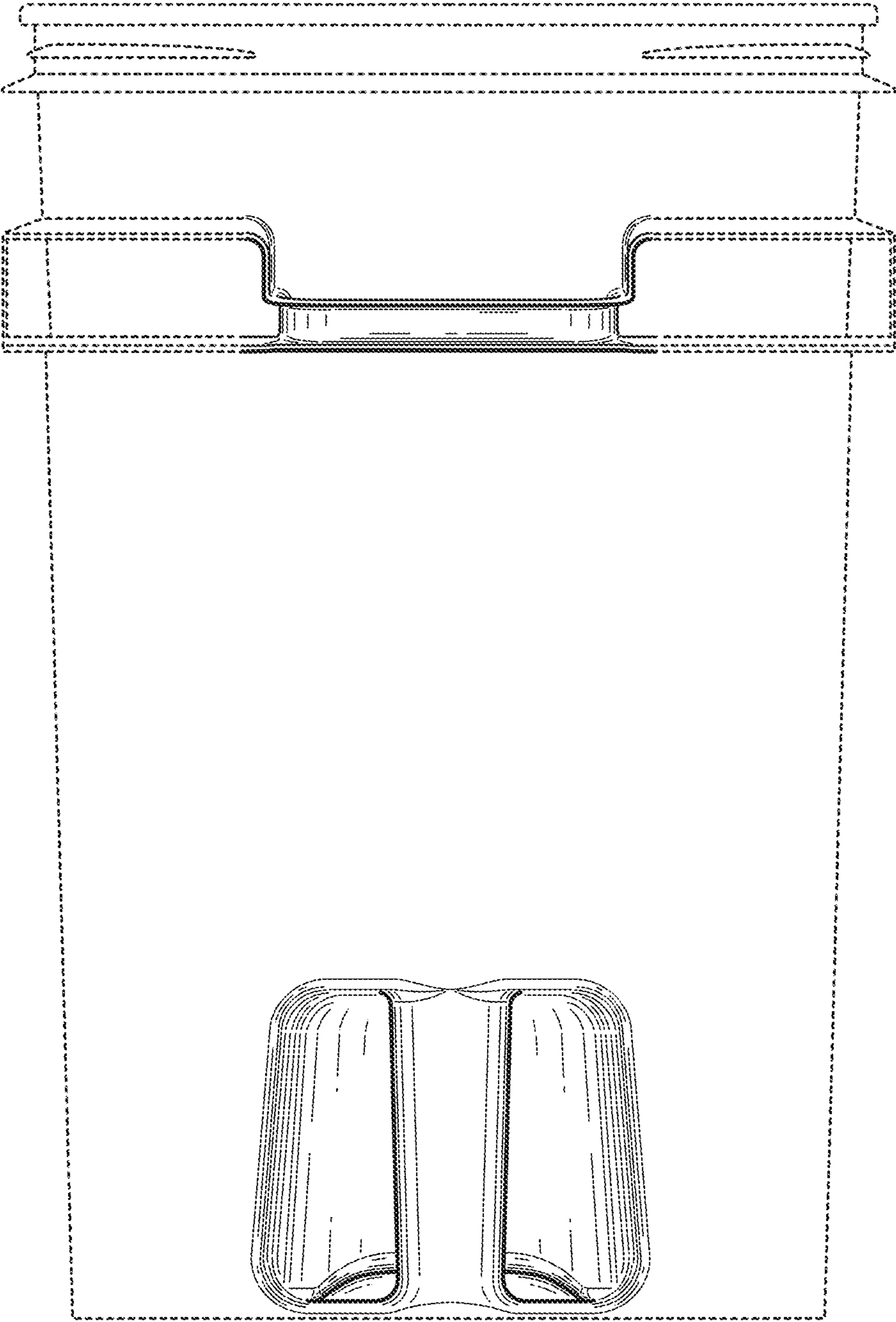


FIG. 4

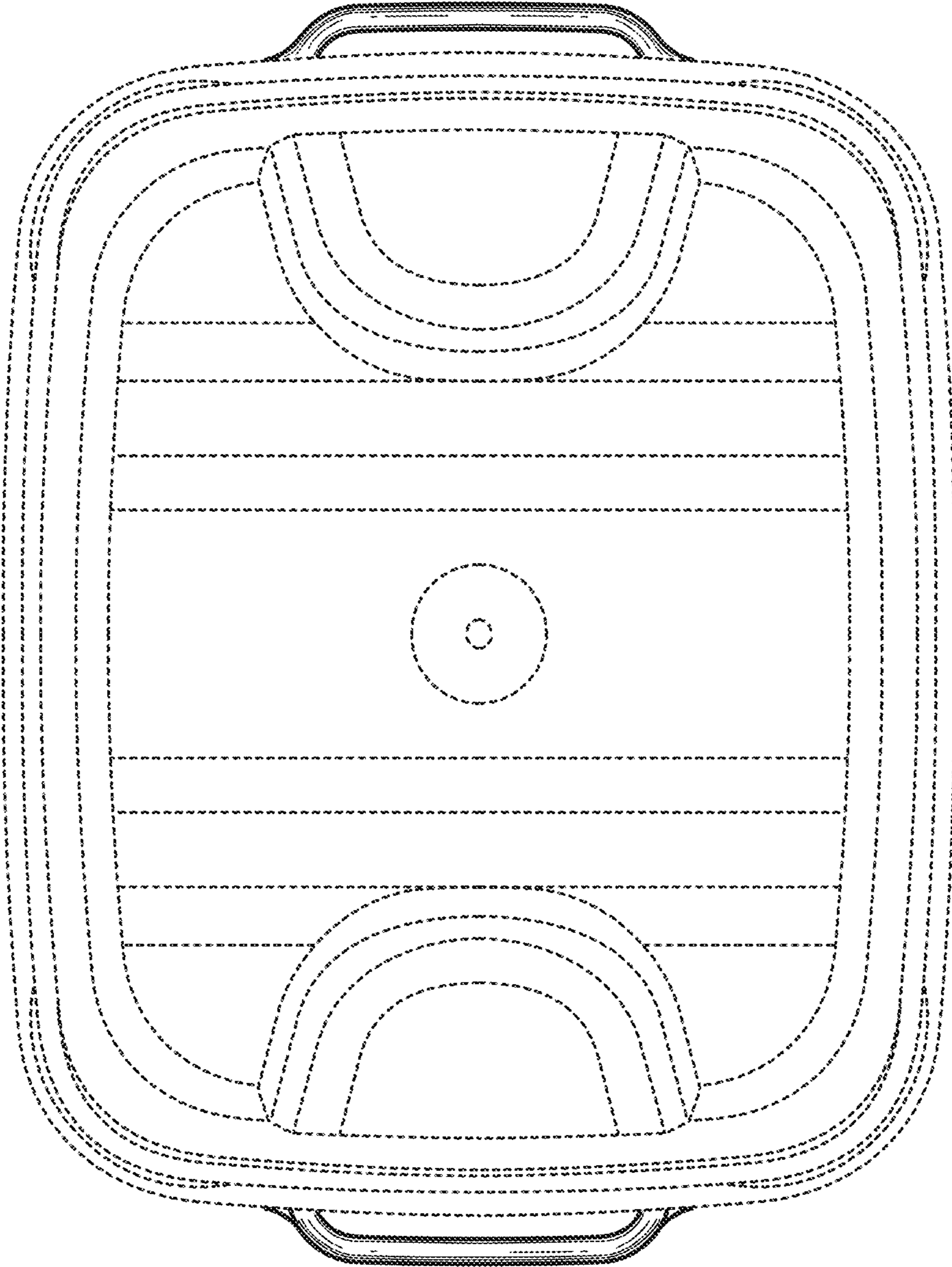


FIG. 5

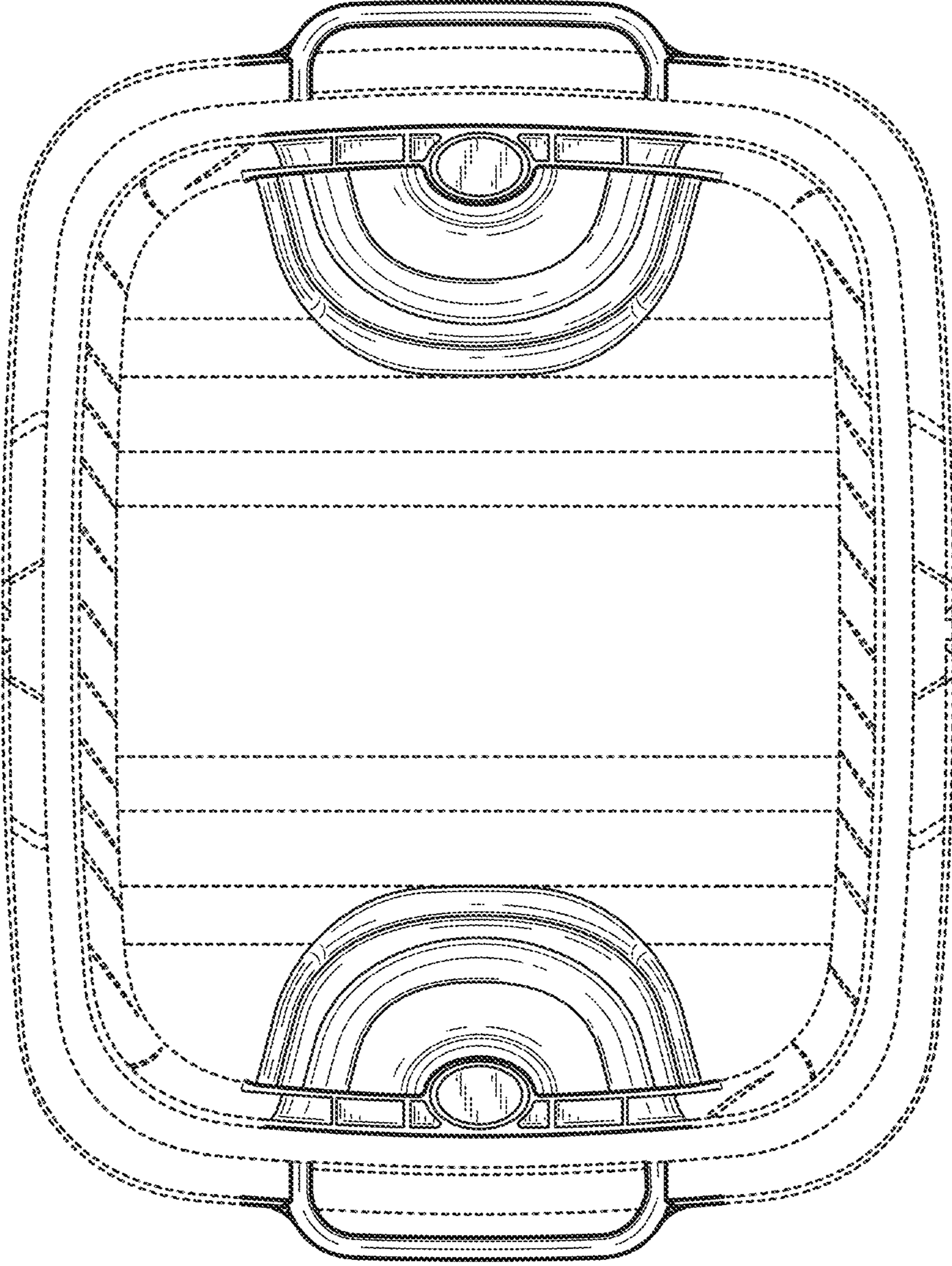


FIG. 6