



US00D778517S

(12) **United States Design Patent** (10) **Patent No.:** **US D778,517 S**  
**Perin et al.** (45) **Date of Patent:** **\*\* Feb. 7, 2017**

(54) **VACUUM CLEANER NOZZLE HOOD**

D501,283 S 1/2005 Carr et al.  
D506,048 S \* 6/2005 Downey ..... D32/32  
D524,498 S \* 7/2006 Luebbering ..... D32/32

(71) Applicant: **Electrolux Home Care Products, Inc.**,  
Charlotte, NC (US)

(Continued)

(72) Inventors: **Jamie Perin**, Charlotte, NC (US); **Saba Rizzi**, Charlotte, NC (US)

*Primary Examiner* — Ruth McInroy

(74) *Attorney, Agent, or Firm* — RatnerPrestia

(73) Assignee: **Electrolux Home Care Products, Inc.**,  
Charlotte, NC (US)

(57) **CLAIM**

The ornamental design for a vacuum cleaner nozzle hood, as shown and described.

(\*\*) Term: **14 Years**

(21) Appl. No.: **29/497,854**

**DESCRIPTION**

(22) Filed: **Jul. 29, 2014**

(51) **LOC (10) Cl.** ..... **15-05**

(52) **U.S. Cl.**  
USPC ..... **D32/32**

(58) **Field of Classification Search**  
USPC ..... D32/25, 31-33  
CPC ..... A47L 9/02; A47L 9/06; A47L 5/28;  
A47L 5/24; A47L 11/4044; E04H 4/1654;  
E04H 4/34  
See application file for complete search history.

FIG. 1 is a top front isometric view of a vacuum cleaner nozzle hood showing our new design.

FIG. 2 is a top rear isometric view of the vacuum cleaner nozzle hood shown in FIG. 1.

FIG. 3 is bottom front isometric view of the vacuum cleaner nozzle hood shown in FIG. 1.

FIG. 4 is a top plan view of the vacuum cleaner nozzle hood shown in FIG. 1.

FIG. 5 is a right side elevation view of the vacuum cleaner nozzle hood shown in FIG. 1.

FIG. 6 is a left side elevation view of the vacuum cleaner nozzle hood shown in FIG. 1.

FIG. 7 is a front elevation view of the vacuum cleaner nozzle hood shown in FIG. 1.

FIG. 8 is a rear elevation view of the vacuum cleaner nozzle hood shown in FIG. 1; and,

FIG. 9 is a bottom plan view of the vacuum cleaner nozzle hood shown in FIG. 1.

In the drawings, the dash-dot broken lines immediately adjacent the shaded areas represent the boundary of the claimed design, and the dash-dot broken lines are not claimed.

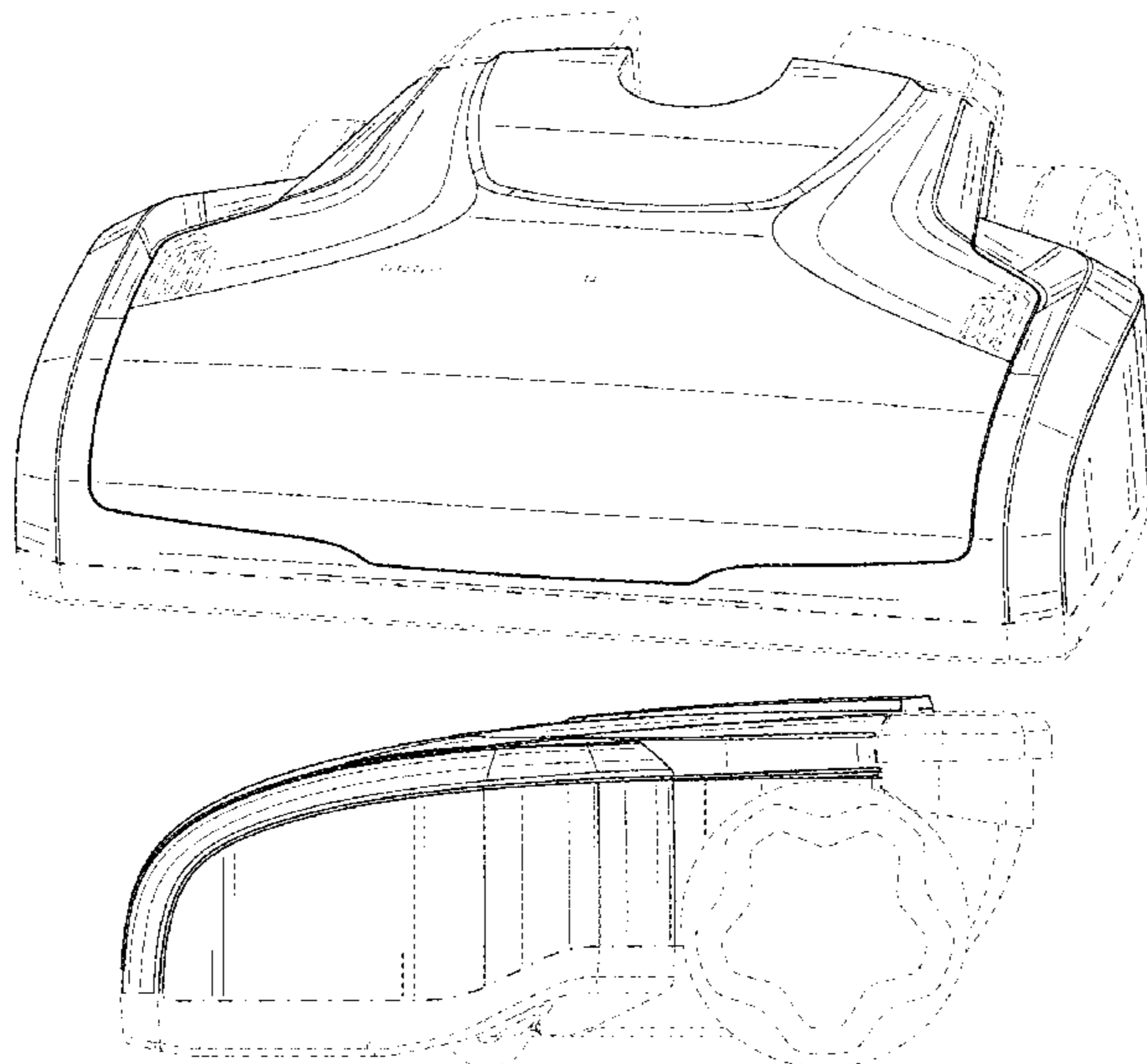
The remaining broken lines indicate environmental structure that forms no part of the claimed design.

(56) **References Cited**

**U.S. PATENT DOCUMENTS**

2,904,816 A	2/1956	Skolfield	
2,904,817 A	9/1959	Brennan	
3,005,224 A	10/1961	Magarian	
4,392,271 A	7/1983	Sepke	
5,054,157 A	10/1991	Werner et al.	
5,207,498 A	5/1993	Lawrence et al.	
5,467,501 A	11/1995	Sepke	
D381,780 S *	7/1997	Summers	D32/33
5,893,195 A	4/1999	Jung	
6,490,755 B2	12/2002	Paterson et al.	
D473,687 S *	4/2003	Kaffenberger	D32/33
D487,602 S	3/2004	Roberts et al.	
D495,106 S *	8/2004	Leyden	D32/32
6,823,559 B2	11/2004	Kaffenberger et al.	

**1 Claim, 8 Drawing Sheets**



(56)

References Cited

U.S. PATENT DOCUMENTS

D536,495	S *	2/2007	Porter .....	D32/32
D537,587	S	2/2007	Scheifele et al.	
D546,510	S	7/2007	Parr et al.	
D549,906	S	8/2007	Rosenzweig	
D566,354	S	4/2008	Paredes et al.	
D566,355	S	4/2008	Paredes et al.	
D575,467	S	8/2008	Paredes et al.	
7,441,307	B2	10/2008	Smith	
D594,612	S *	6/2009	Umeda .....	D32/32
7,634,836	B2	12/2009	Lee	
D619,315	S *	7/2010	Ayers .....	D32/32
D621,564	S *	8/2010	Kaffenberger .....	D32/32
D655,468	S *	3/2012	Karsan .....	D32/33
8,214,966	B2	7/2012	Steffen et al.	
D667,184	S *	9/2012	Chu .....	D32/33
8,387,207	B2	3/2013	Dimbylow et al.	
D720,104	S *	12/2014	Santiago .....	D32/32
D730,003	S *	5/2015	Cheon .....	D32/33
2006/0076035	A1	4/2006	McGee et al.	
2014/0237754	A1 *	8/2014	Conrad .....	A47L 5/225 15/328

\* cited by examiner

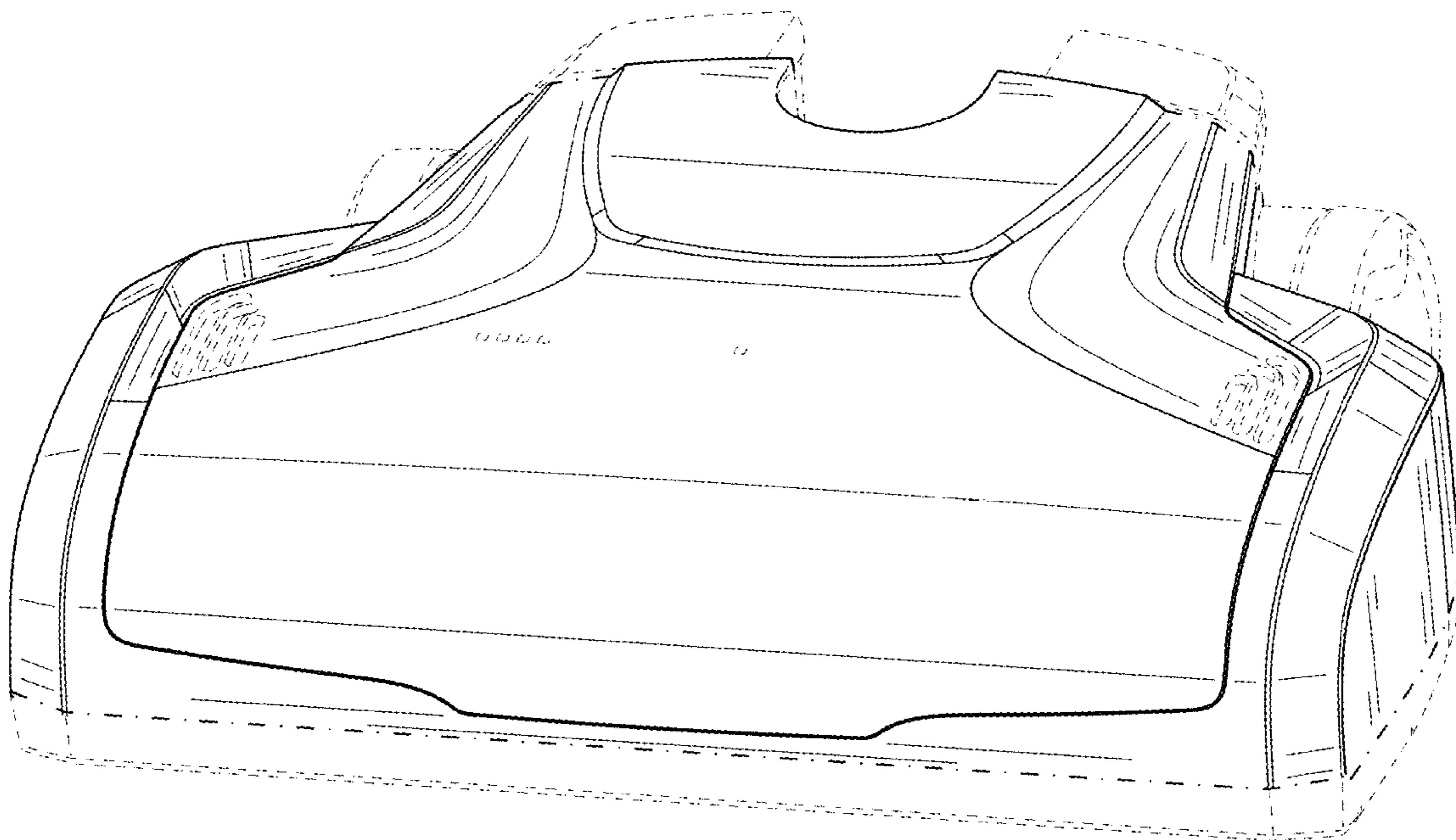


FIG. 1

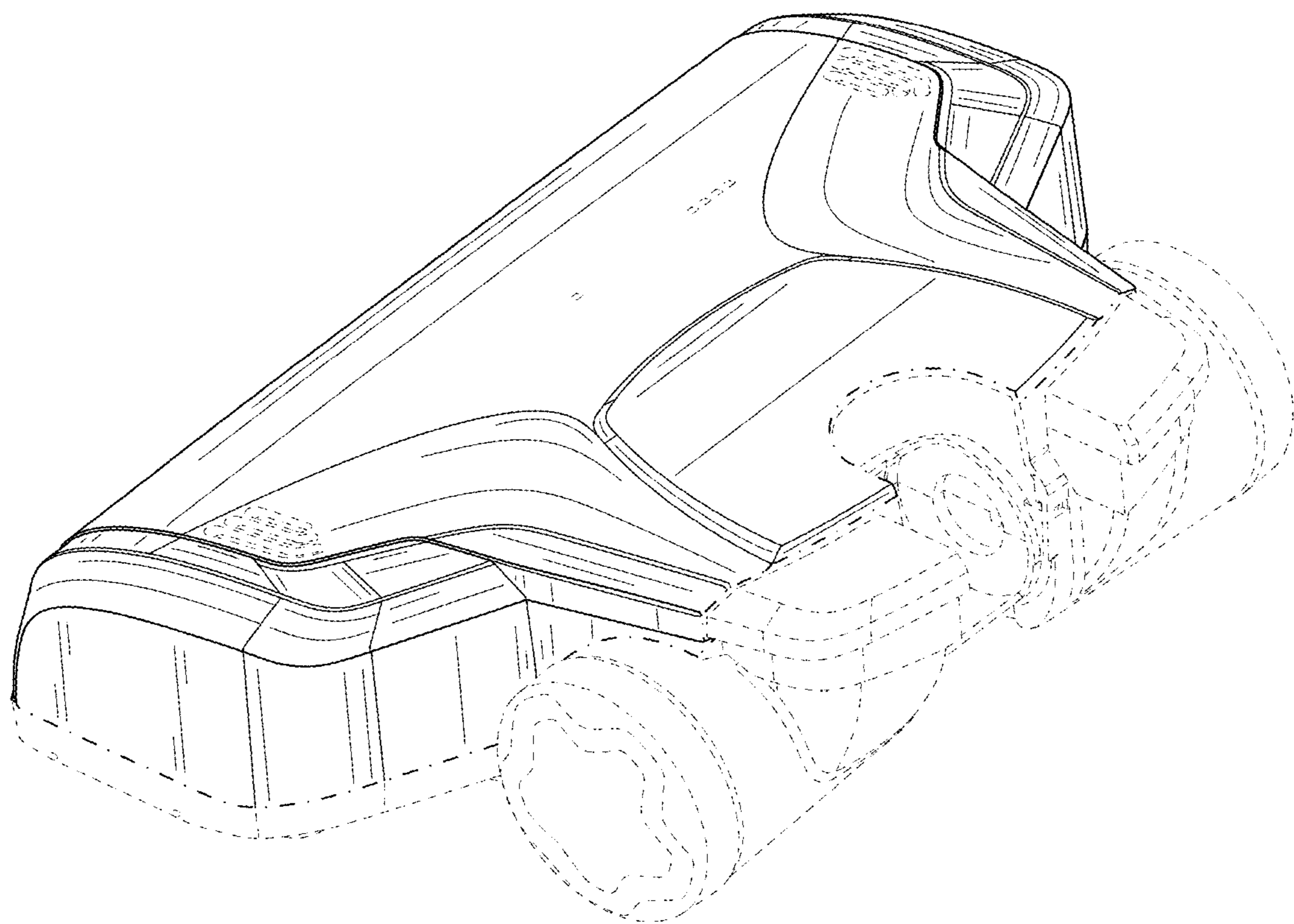


FIG. 2

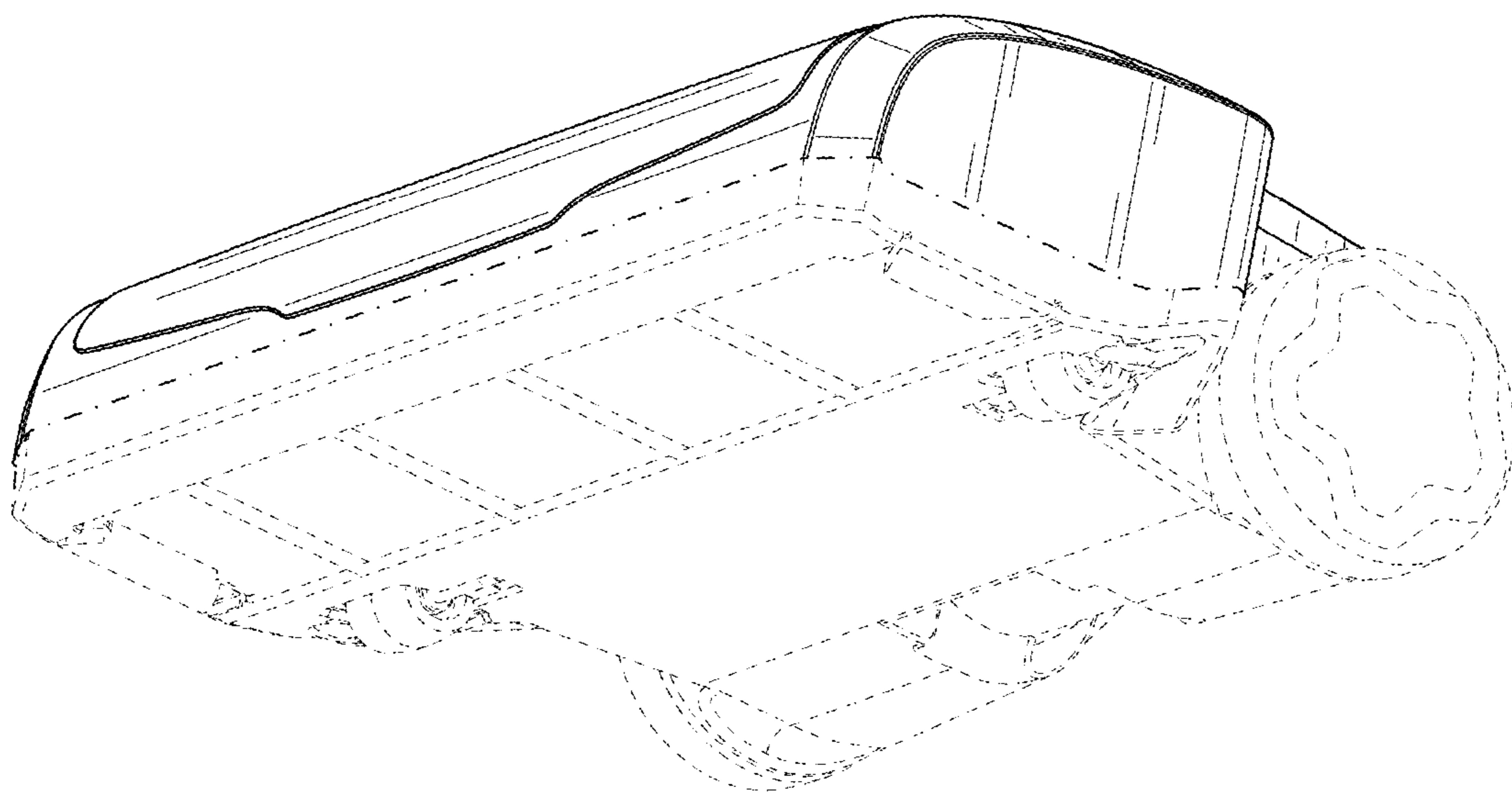


FIG. 3

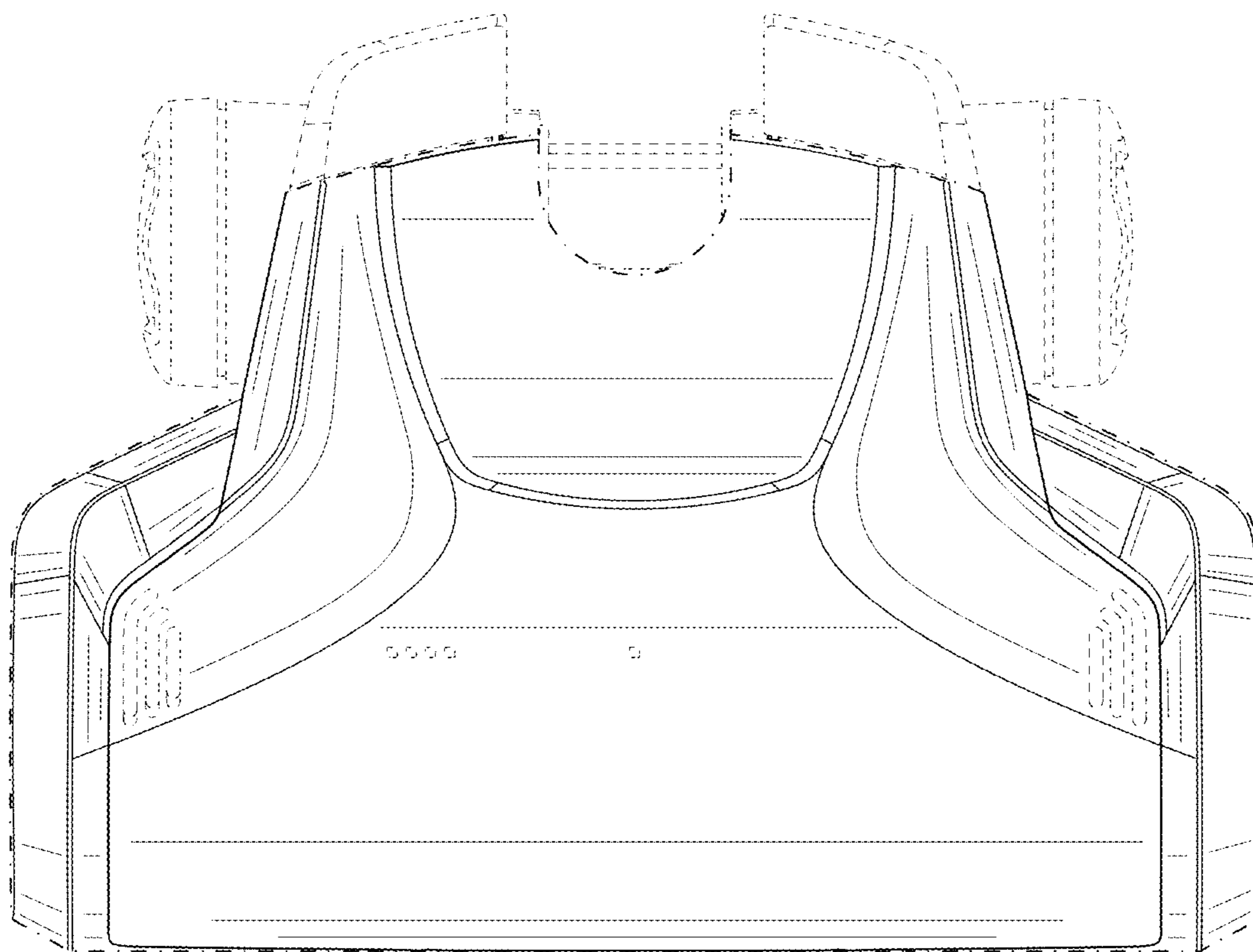


FIG. 4

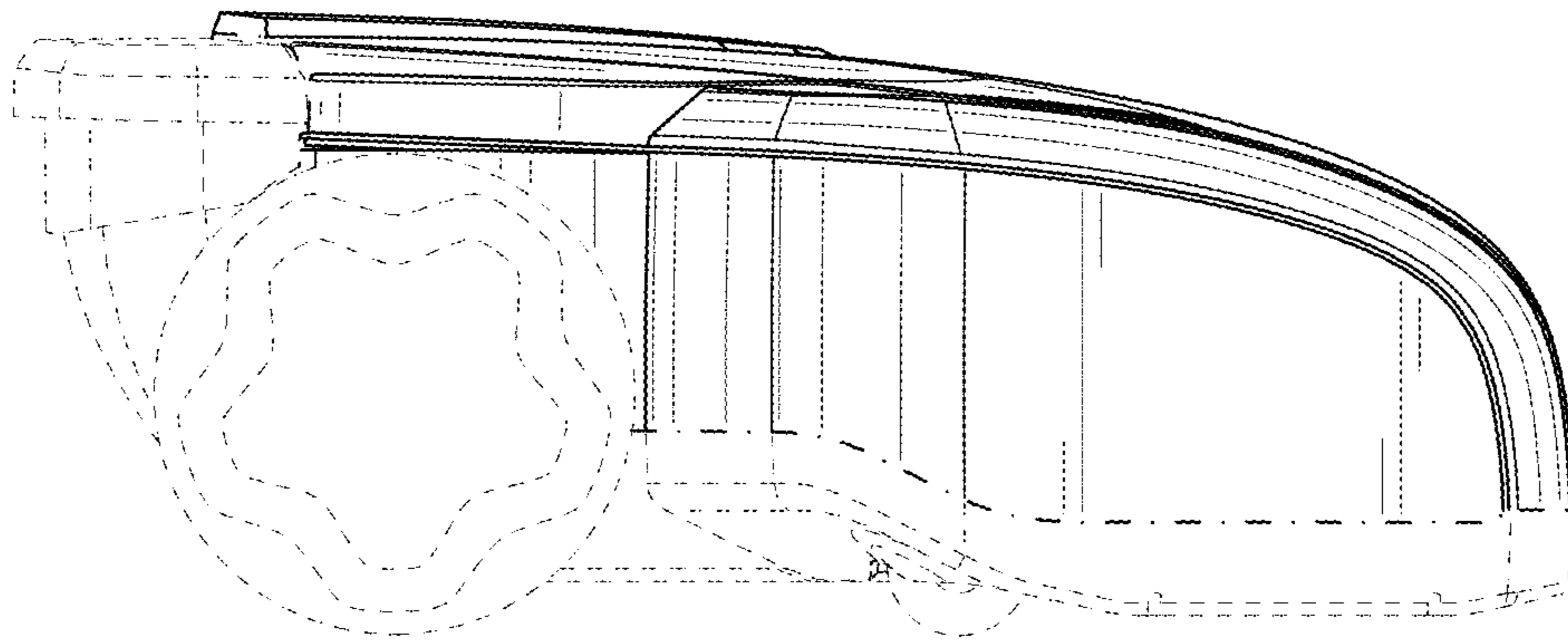


FIG. 5

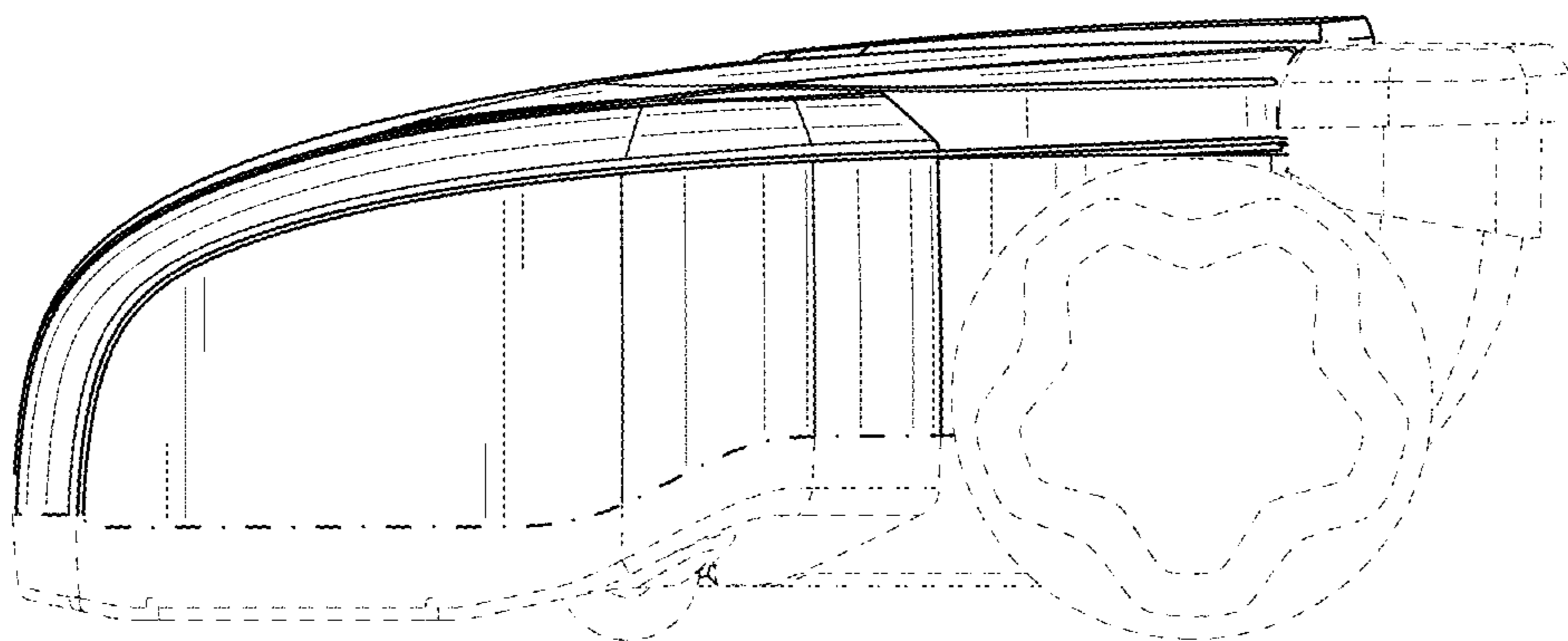


FIG. 6

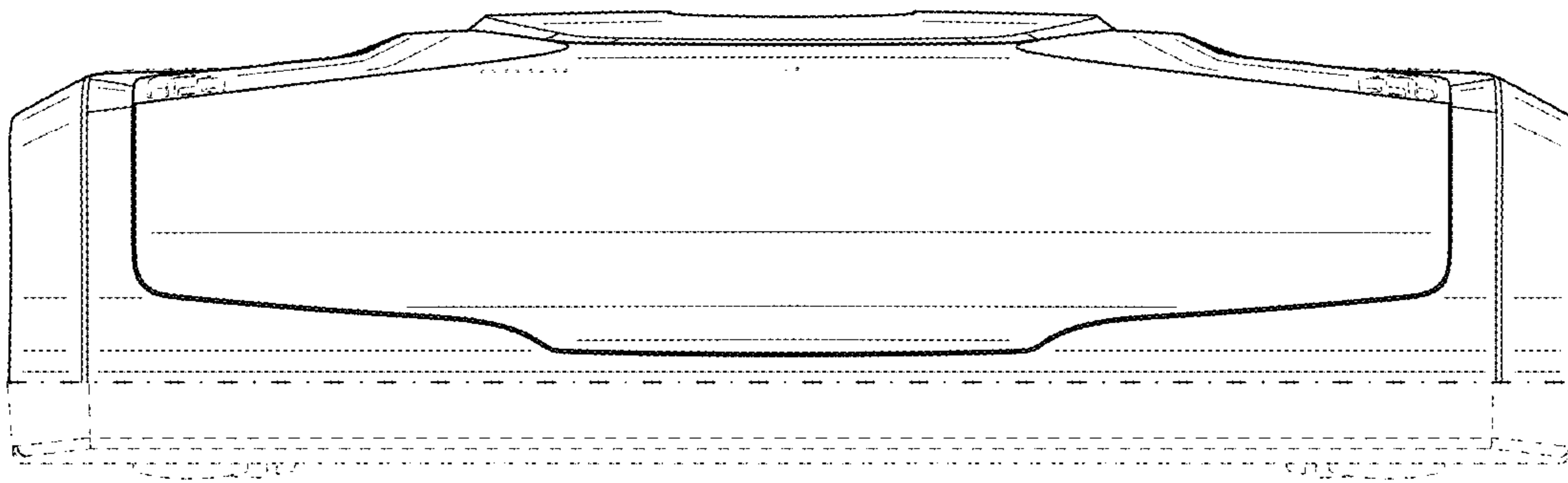


FIG. 7



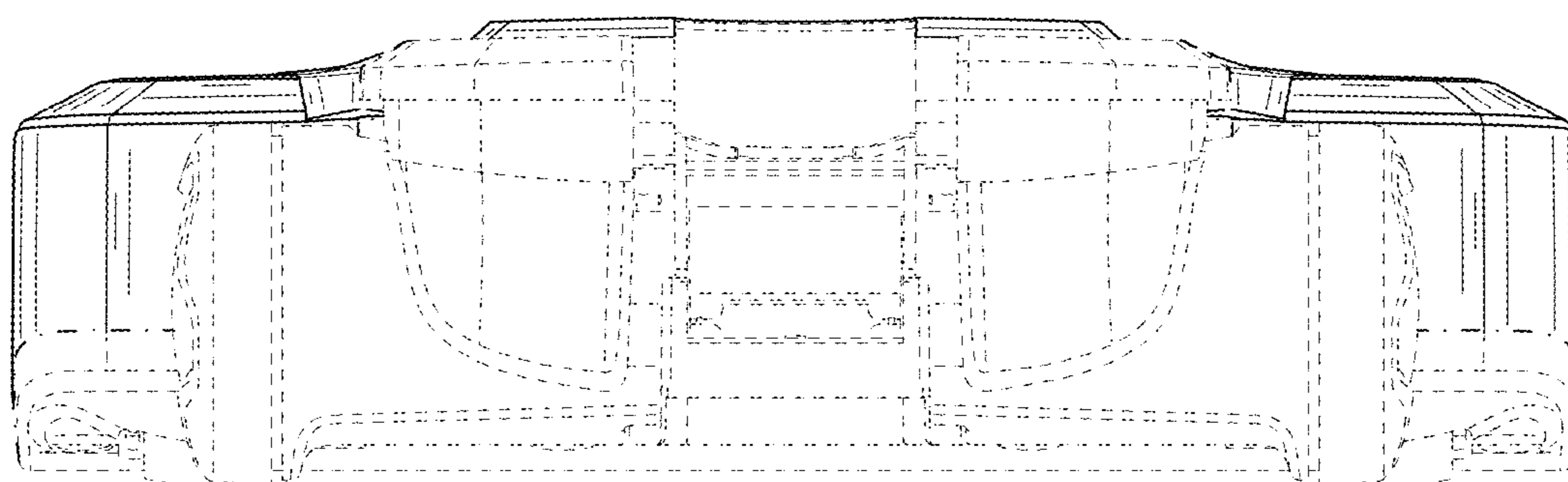


FIG. 8

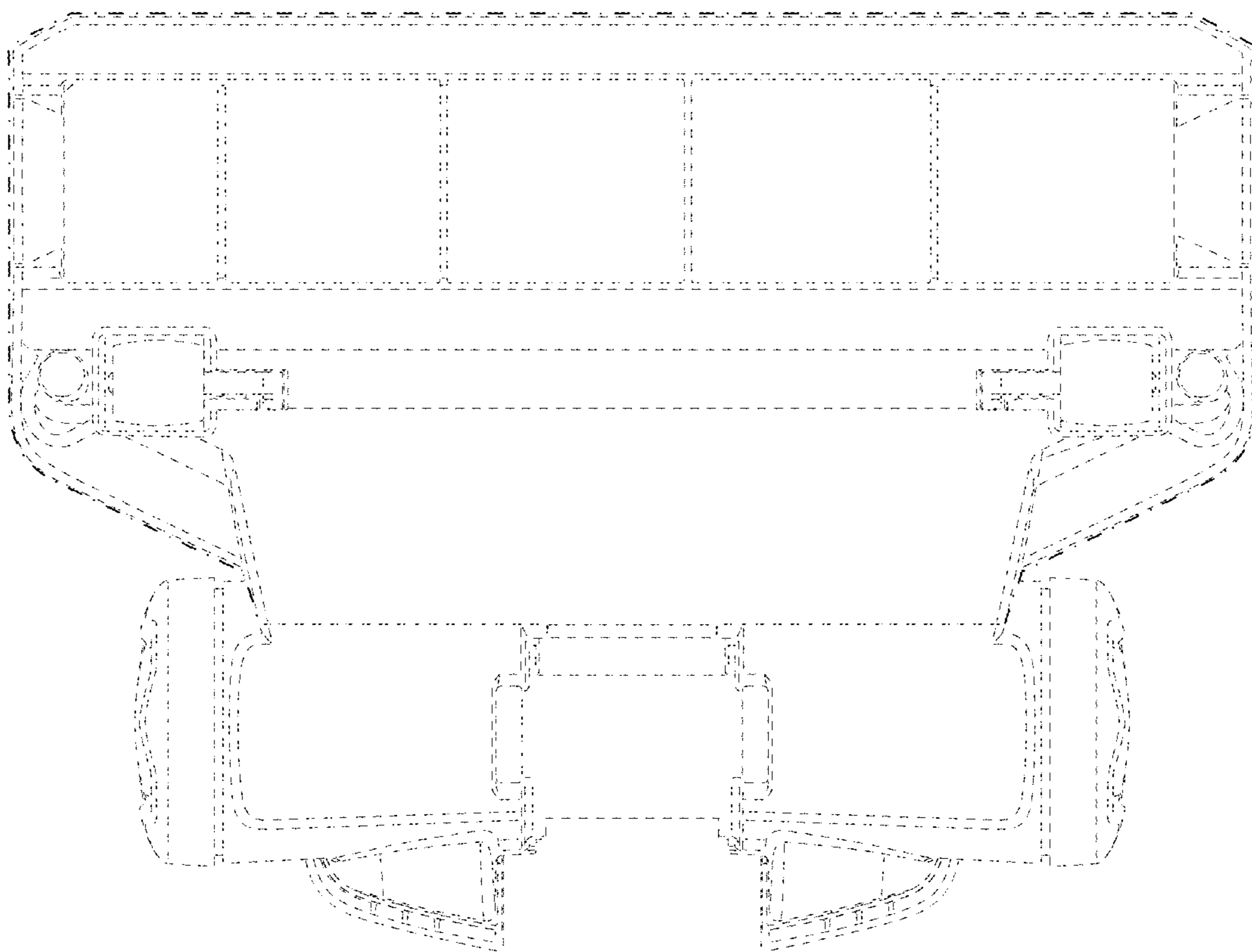


FIG. 9