



US00D778514S

(12) **United States Design Patent**  
**Park et al.**

(10) **Patent No.:** **US D778,514 S**

(45) **Date of Patent:** **\*\* Feb. 7, 2017**

(54) **ROBOT CLEANER**

(71) Applicant: **Samsung Electronics Co., Ltd.**,  
Suwon-si, Gyeonggi-do (KR)

(72) Inventors: **Yuna Park**, Seoul (KR); **Dong-Won Chun**, Seoul (KR); **Yeon-Young Nam**, Goyang-si (KR)

(73) Assignee: **SAMSUNG ELECTRONICS CO., LTD**, Gyeonggi-Do (KR)

(\*\*) Term: **14 Years**

(21) Appl. No.: **29/514,820**

(22) Filed: **Jan. 16, 2015**

(30) **Foreign Application Priority Data**

Jul. 17, 2014 (KR) ..... 30-2014-0035129

(51) **LOC (10) Cl.** ..... **15-05**

(52) **U.S. Cl.**  
USPC ..... **D32/21**

(58) **Field of Classification Search**

USPC ..... D32/18, 21-24, 31  
CPC ..... A47L 9/16; A47L 9/20; A47L 9/1683;  
A47L 9/1666; A47L 9/1608; A47L  
9/2857; A47L 9/2842; A47L  
9/2836; A47L 9/2847; A47L  
9/2852; A47L 5/28; A47L 7/0038; G06N  
3/008; E04H 4/1654

See application file for complete search history.

(56) **References Cited**

**U.S. PATENT DOCUMENTS**

D548,411 S \* 8/2007 Schroter ..... D32/21

D551,815 S \* 9/2007 Schroeter ..... D32/21  
D593,265 S \* 5/2009 Carr ..... D32/21  
D720,103 S \* 12/2014 Haug ..... D32/21  
D745,757 S \* 12/2015 Choi ..... D32/21  
D746,005 S \* 12/2015 Cheon ..... D32/21  
D751,777 S \* 3/2016 Cheon ..... D32/21  
2014/0259475 A1\* 9/2014 Doughty ..... A47L 9/0477  
15/52.1  
2016/0058256 A1\* 3/2016 Ju ..... A47L 9/0477  
15/347

\* cited by examiner

*Primary Examiner* — Ruth McInroy

(74) *Attorney, Agent, or Firm* — Cantor Colburn LLP

(57) **CLAIM**

The ornamental design for a robot cleaner, as shown and described.

**DESCRIPTION**

FIG. 1 is a front perspective view of a robot cleaner, showing our new design;  
FIG. 2 is a front view thereof;  
FIG. 3 is a rear view thereof;  
FIG. 4 is a side view thereof;  
FIG. 5 is another side view thereof;  
FIG. 6 is a top view thereof;  
FIG. 7 is a bottom view thereof; and,  
FIG. 8 is a rear perspective view thereof.  
The broken lines are for environmental purpose only and form no part of the claimed design.

**1 Claim, 6 Drawing Sheets**

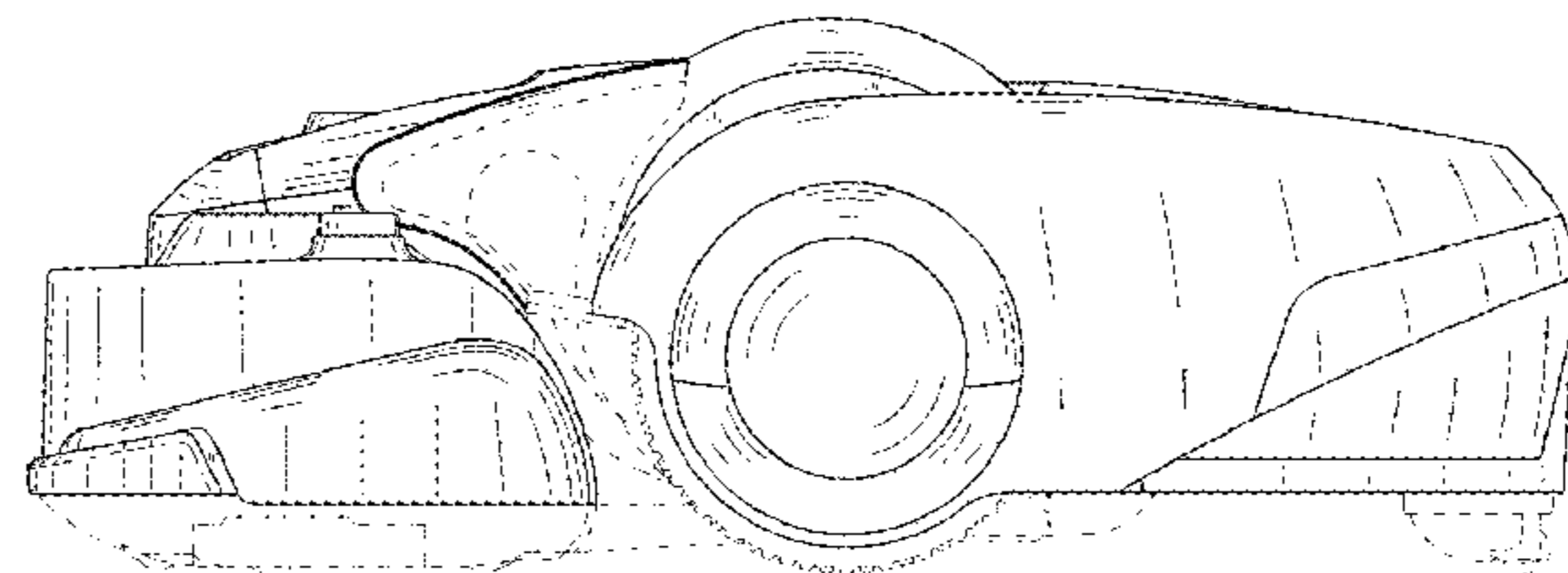
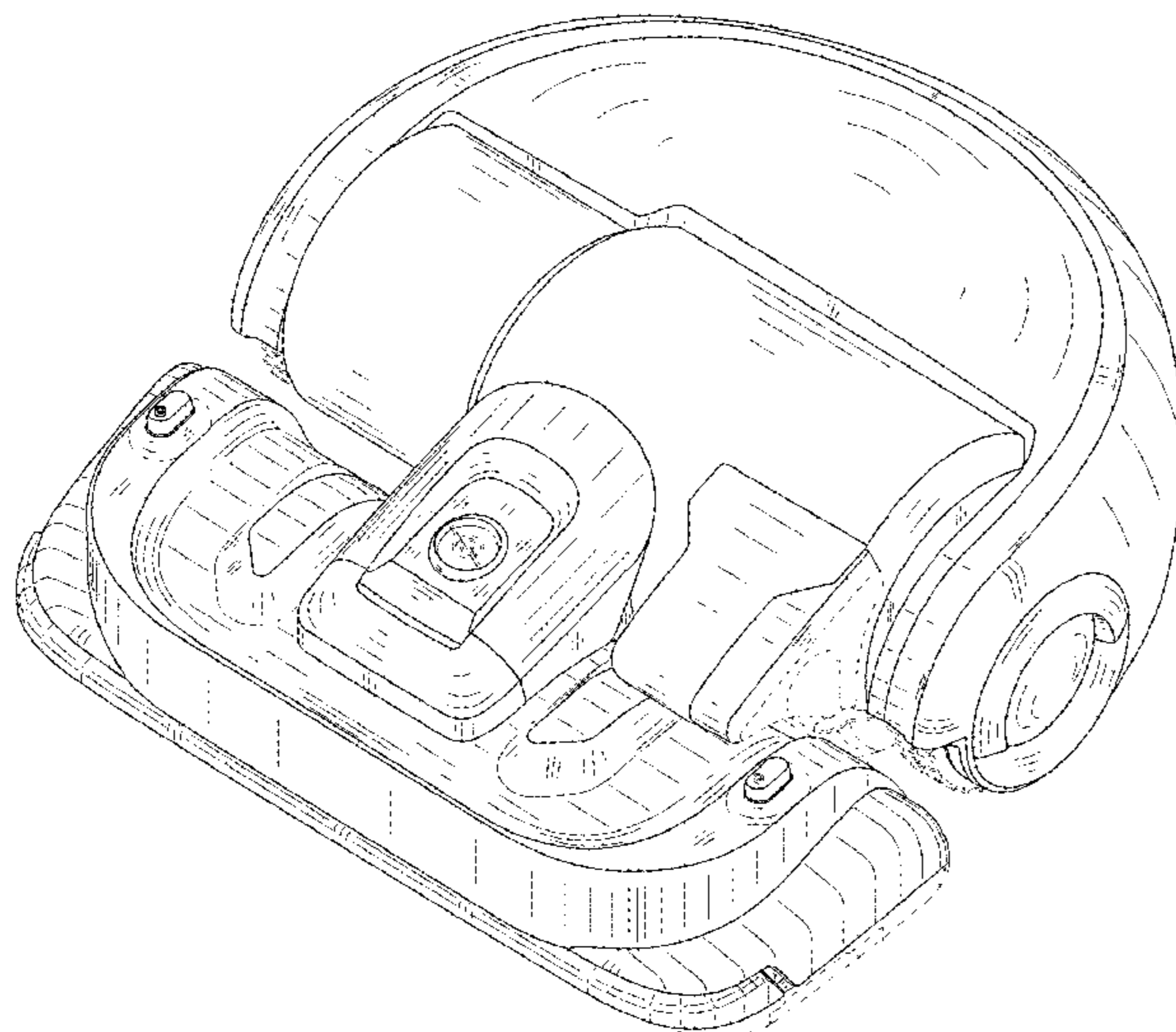


FIG. 1

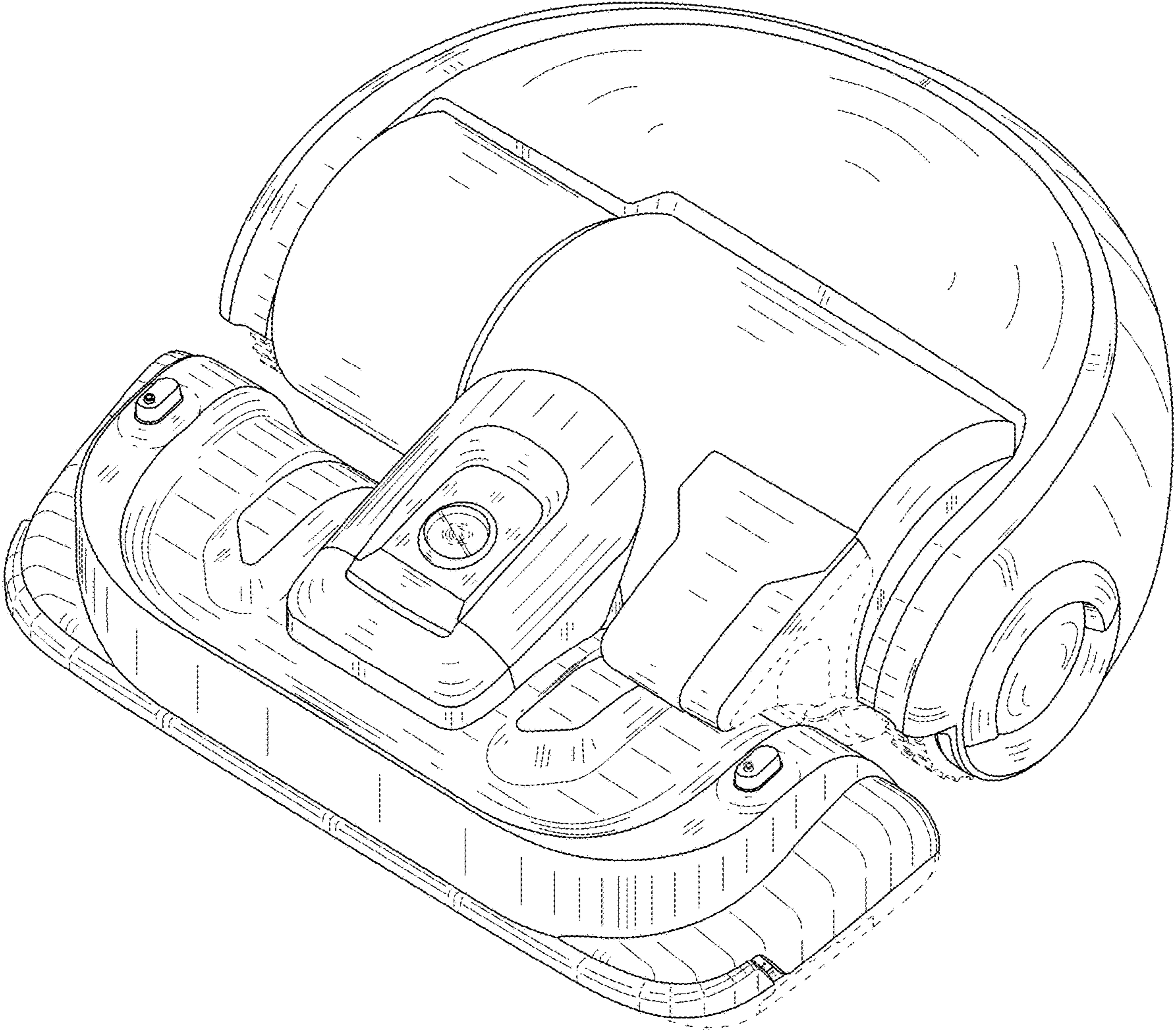


FIG. 2

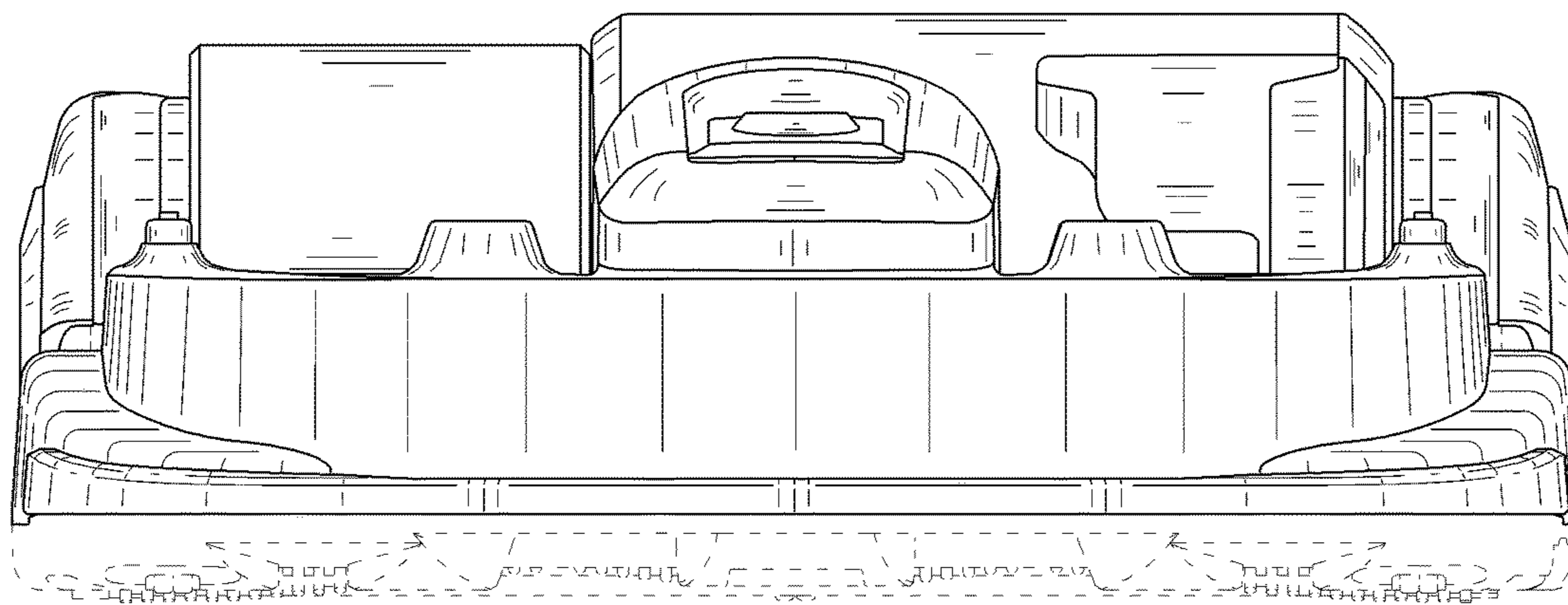


FIG. 3

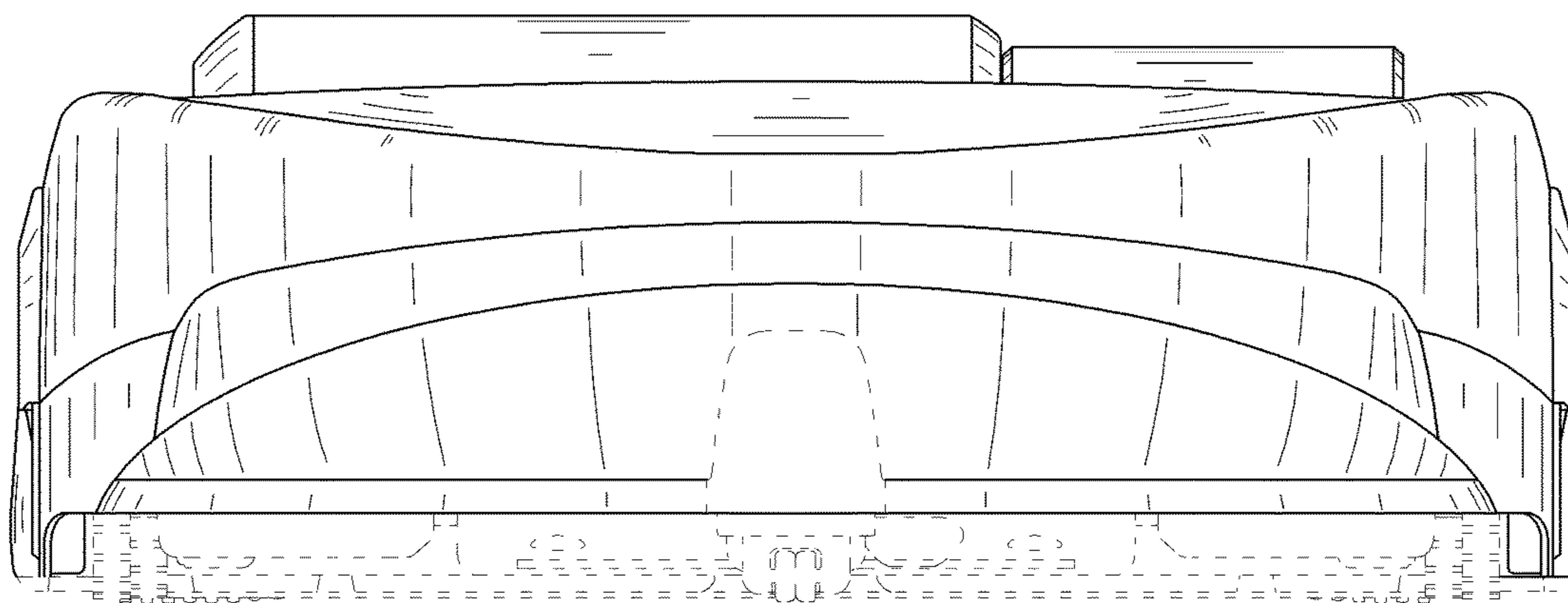


FIG. 4

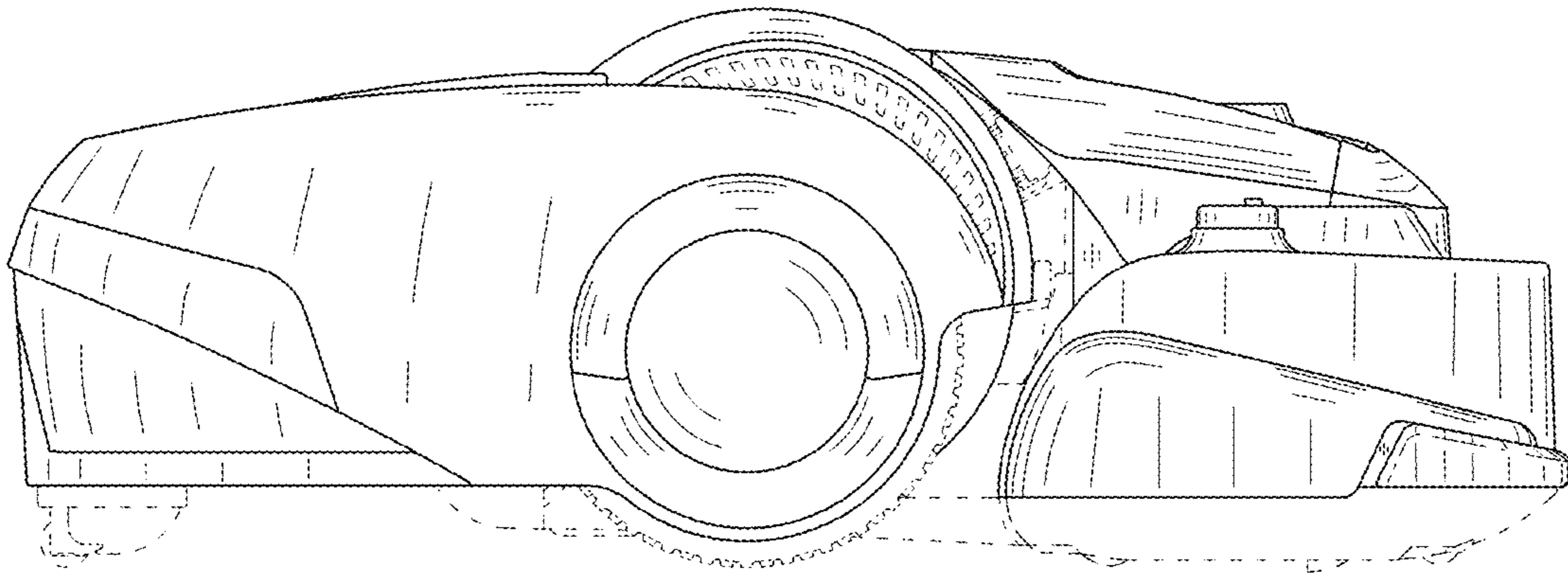


FIG. 5

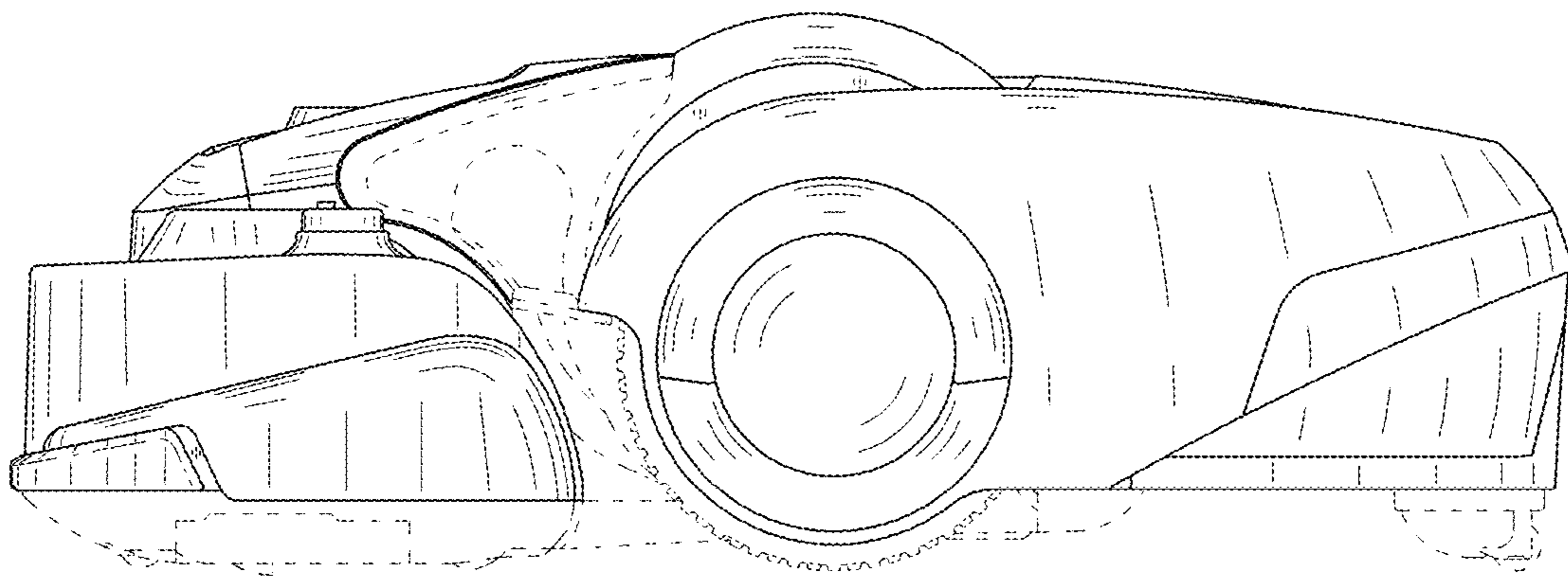


FIG. 6

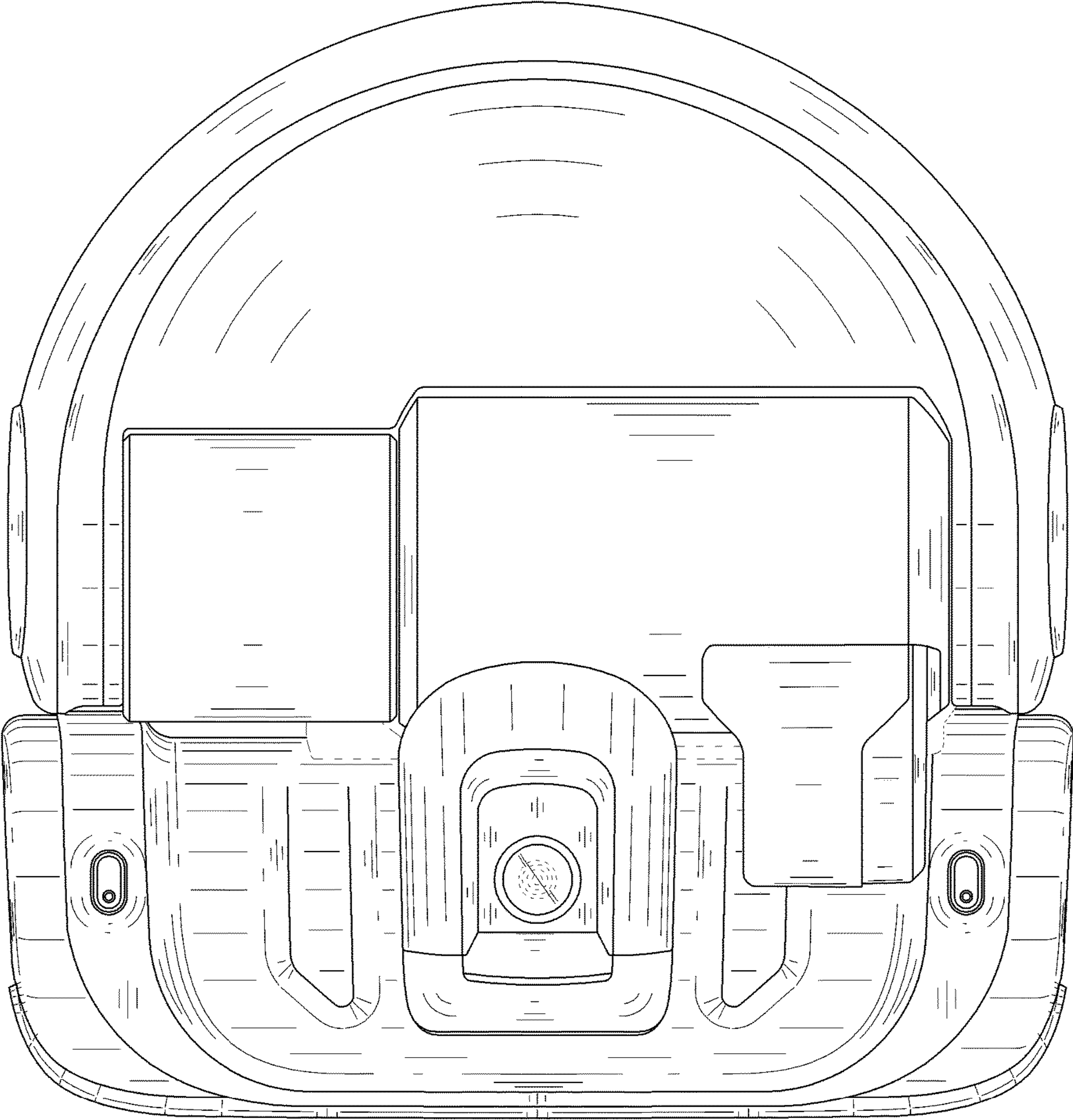


FIG. 7

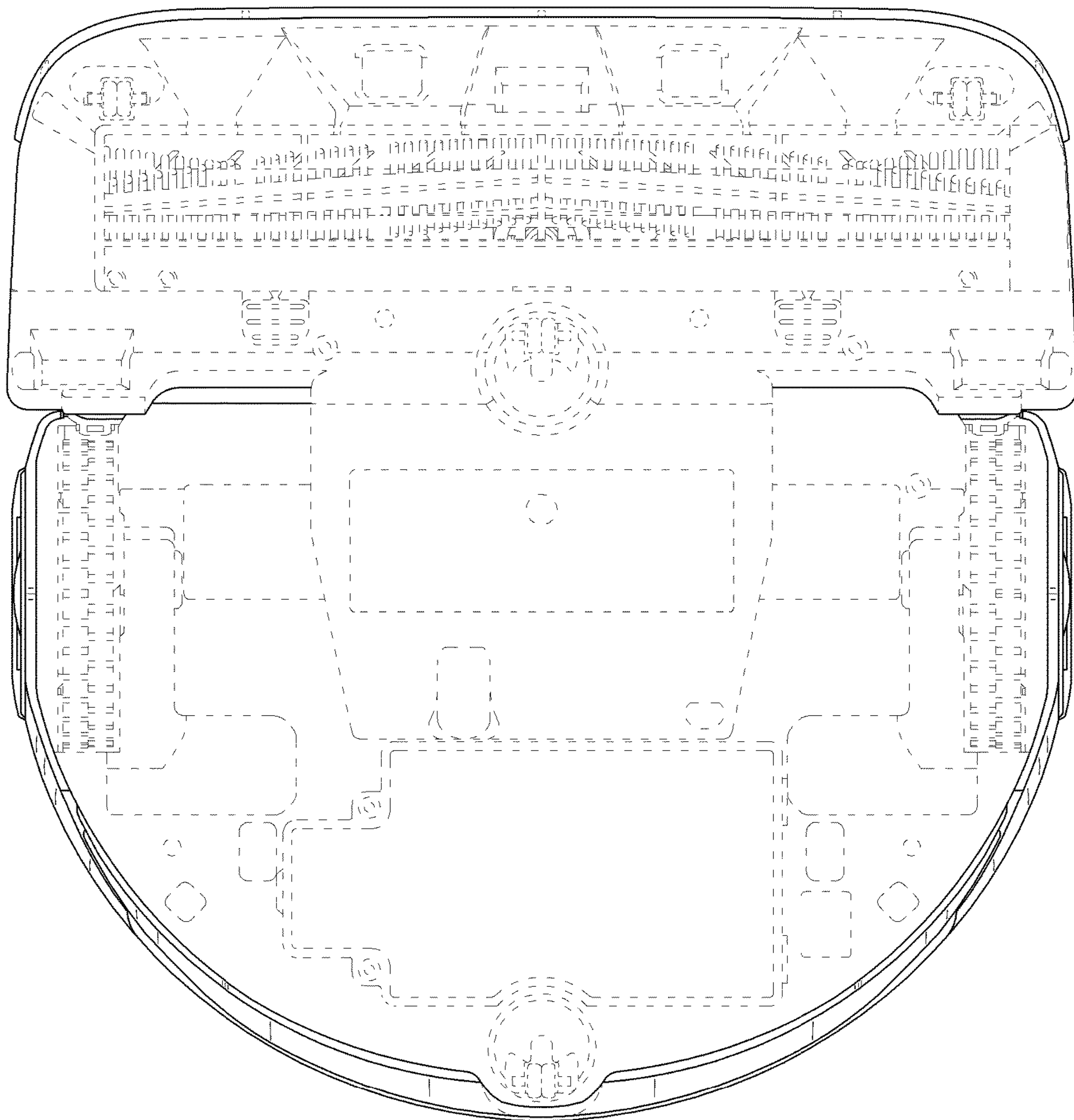


FIG. 8

