



US00D778512S

(12) **United States Design Patent** (10) **Patent No.:** **US D778,512 S**
Roberson et al. (45) **Date of Patent:** **** Feb. 7, 2017**

- (54) **DISHWASHER AND/OR COMPONENT(S) THEREOF**
- (71) Applicant: **BSH Home Appliances Corporation**, Irvine, CA (US)
- (72) Inventors: **Lindsay Roberson**, Durham, NC (US); **Thomas Ott**, Neubiberg (DE)
- (73) Assignee: **BSH Home Appliances Corporation**, Irvine, CA (US)
- (**) Term: **15 Years**
- (21) Appl. No.: **29/569,580**
- (22) Filed: **Jun. 29, 2016**

Related U.S. Application Data

- (62) Division of application No. 29/558,808, filed on Mar. 22, 2016, now Pat. No. Des. 767,832, which is a division of application No. 29/518,541, filed on Feb. 25, 2015, now Pat. No. Des. 760,453, which is a division of application No. 29/476,193, filed on Dec. 12, 2013, now Pat. No. Des. 730,591, which is a division of application No. 29/437,652, filed on Nov. 20, 2012, now Pat. No. Des. 702,896, which is a division of application No. 29/403,660, filed on Oct. 10, 2011, now Pat. No. Des. 677,843.
- (51) **LOC (10) Cl.** **15-05**
- (52) **U.S. Cl.**
USPC **D32/3**
- (58) **Field of Classification Search**
USPC D32/1-3; 312/109, 257.1, 204, 228; 134/56 R, 57 R, 57 D, 57 DL, 56 D, 58 R, 134/58 D, 58 DL, 25.2, 184; 126/194
CPC A47L 15/0021; A47L 15/4265; A47L 15/4293; E06B 5/006
See application file for complete search history.

- (56) **References Cited**
U.S. PATENT DOCUMENTS
5,365,959 A * 11/1994 Favaro A47L 15/4293
134/113
D385,070 S * 10/1997 Hughes D32/3
7,014,281 B2 * 3/2006 Wuestefeld A47L 15/4265
126/194
D538,983 S * 3/2007 Green D32/3
D580,603 S * 11/2008 Busalt D32/3
D665,956 S * 8/2012 Eng D32/2

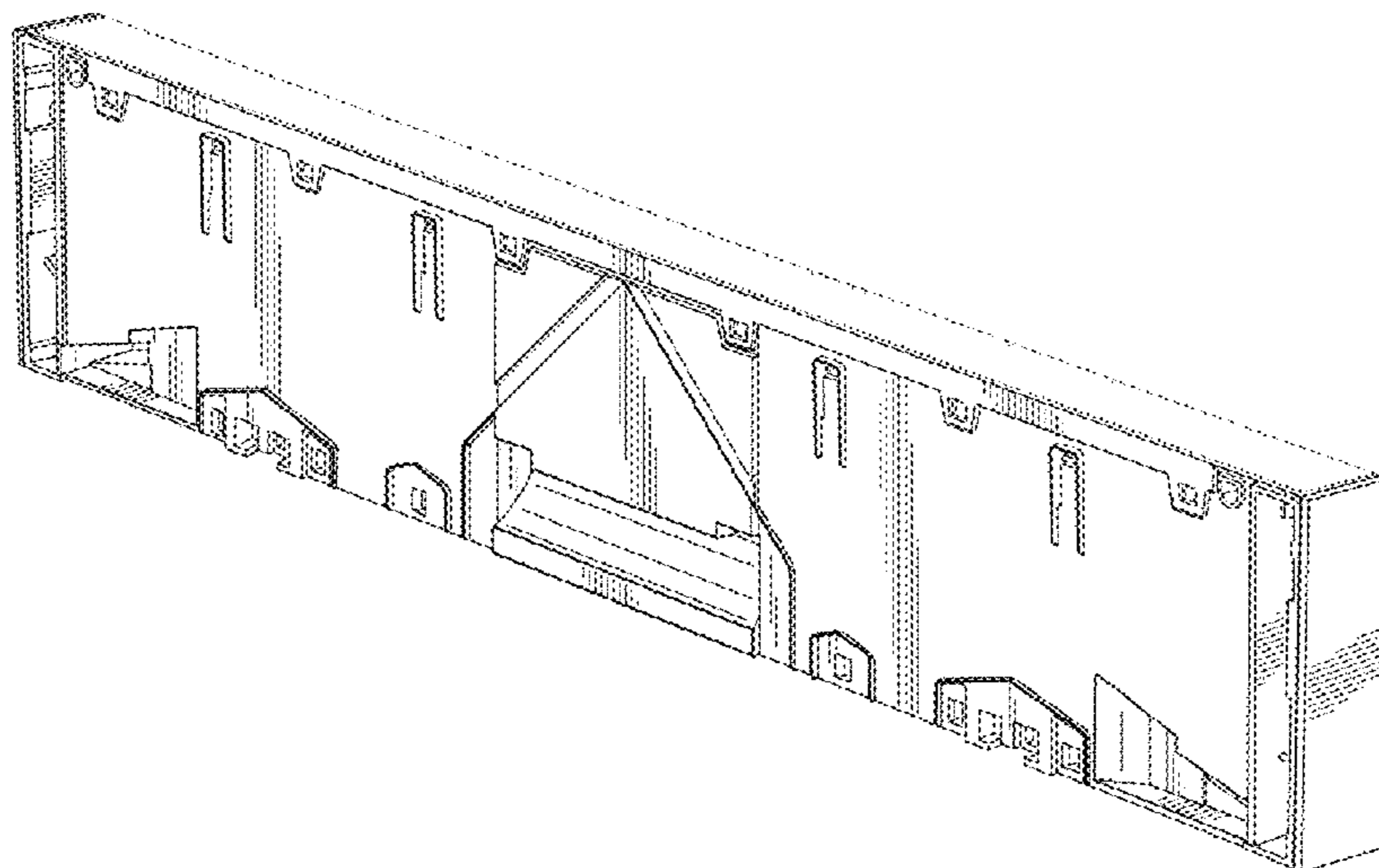
* cited by examiner
Primary Examiner — Catheri Oliver-Garcia
(74) *Attorney, Agent, or Firm* — Michael E. Tschupp; Andre Pallapies

- (57) **CLAIM**
The ornamental design for a dishwasher and/or component (s) thereof, as shown and described.

DESCRIPTION

FIG. 1 is a front perspective view of an upper portion of a dishwasher door according to our new ornamental design; FIG. 2 is a front view thereof; FIG. 3 is a left side view thereof, with the right side view thereof being a mirror image thereof; and, FIG. 4 is a bottom perspective view thereof. The broken lines of the dishwasher, dishwasher compartment and/or components thereof show surrounding structure or environment and do not form part of the claimed design. The dotted lines represent the border between claimed and unclaimed subject matter and do not form a part of the claimed design. The bottom and rear parts of the dishwasher door, and the bottom, rear and top of the dishwasher compartment are unornamented or simply not claimed and form no part of the claimed design.

1 Claim, 3 Drawing Sheets



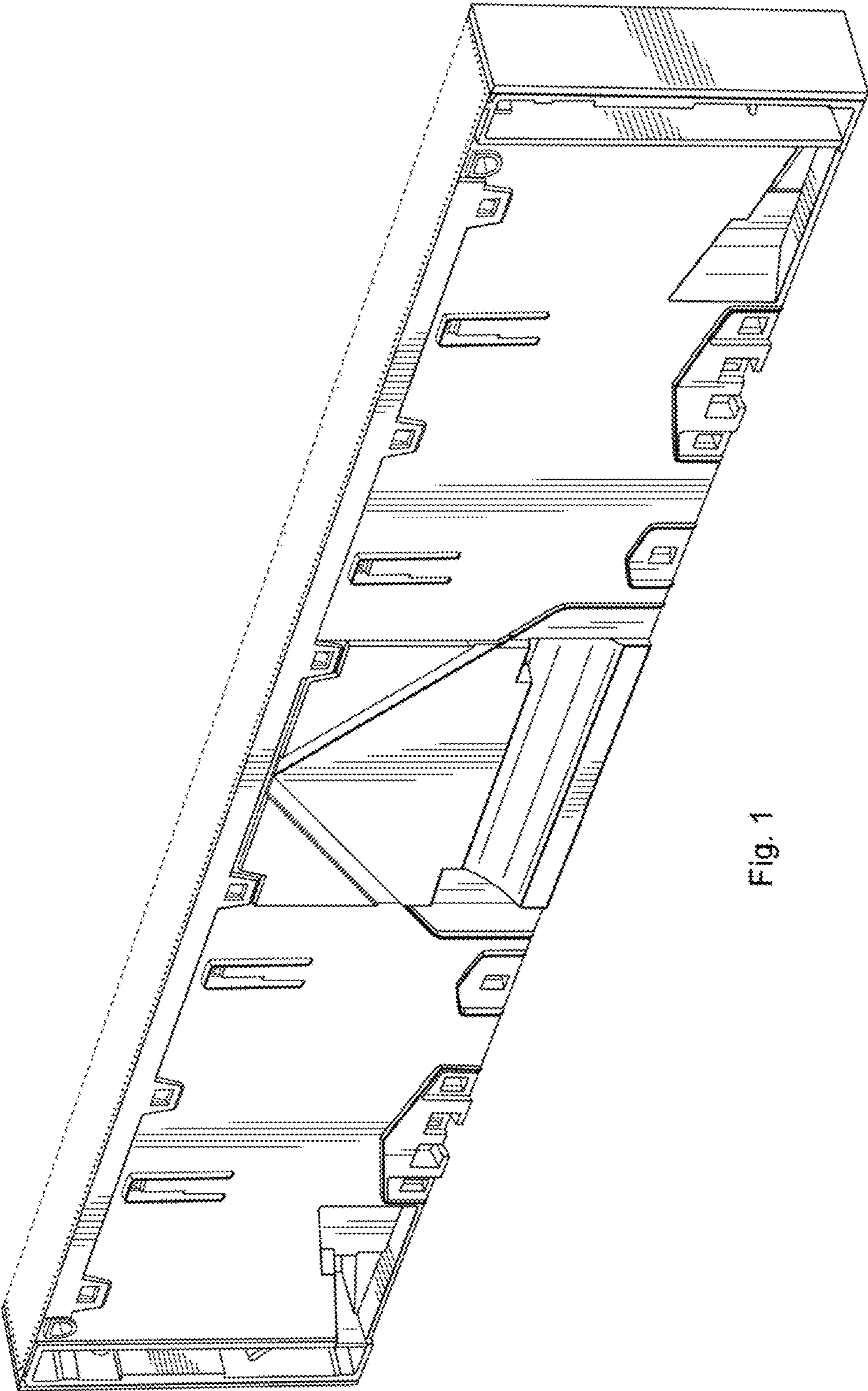


Fig. 1

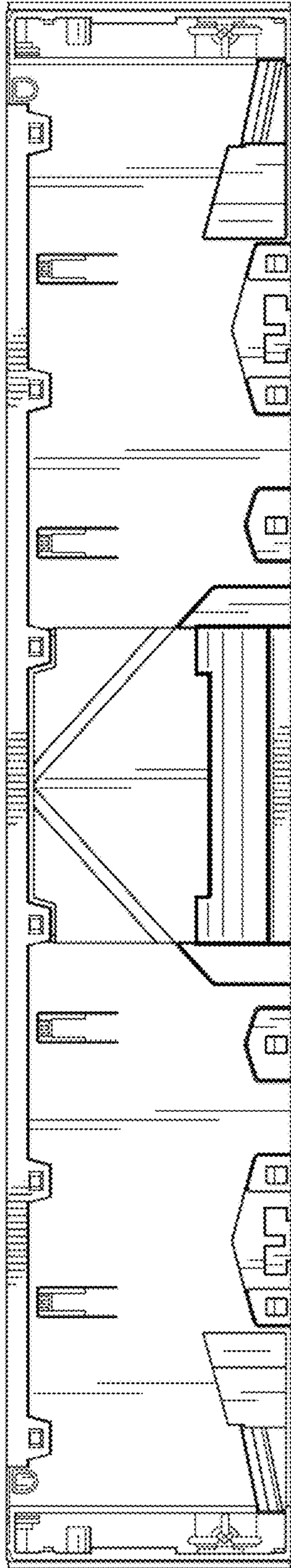


Fig. 2

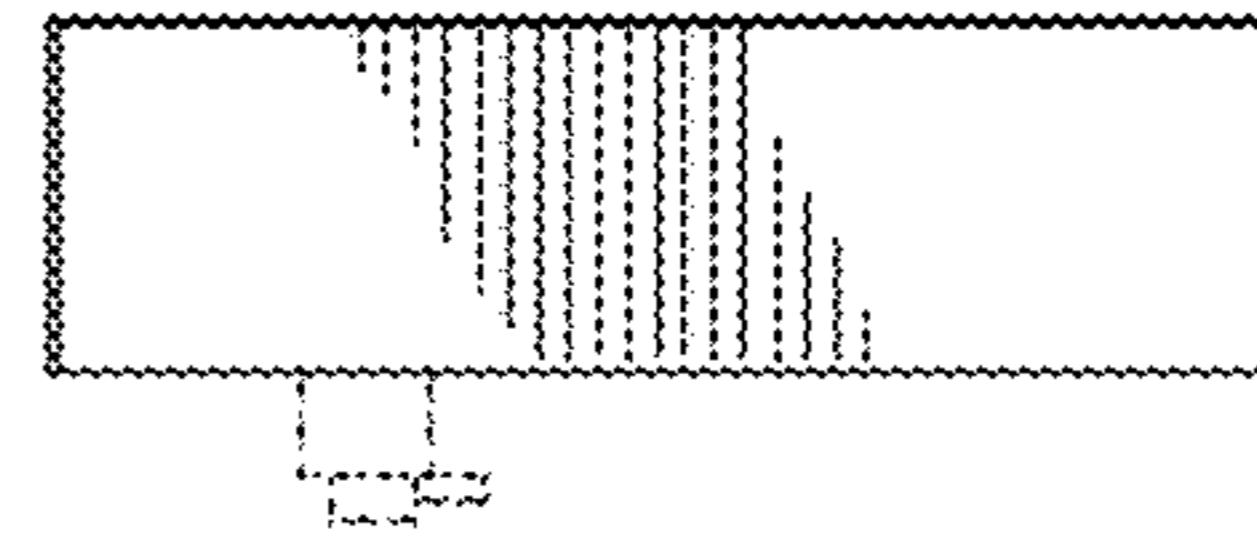


Fig. 3

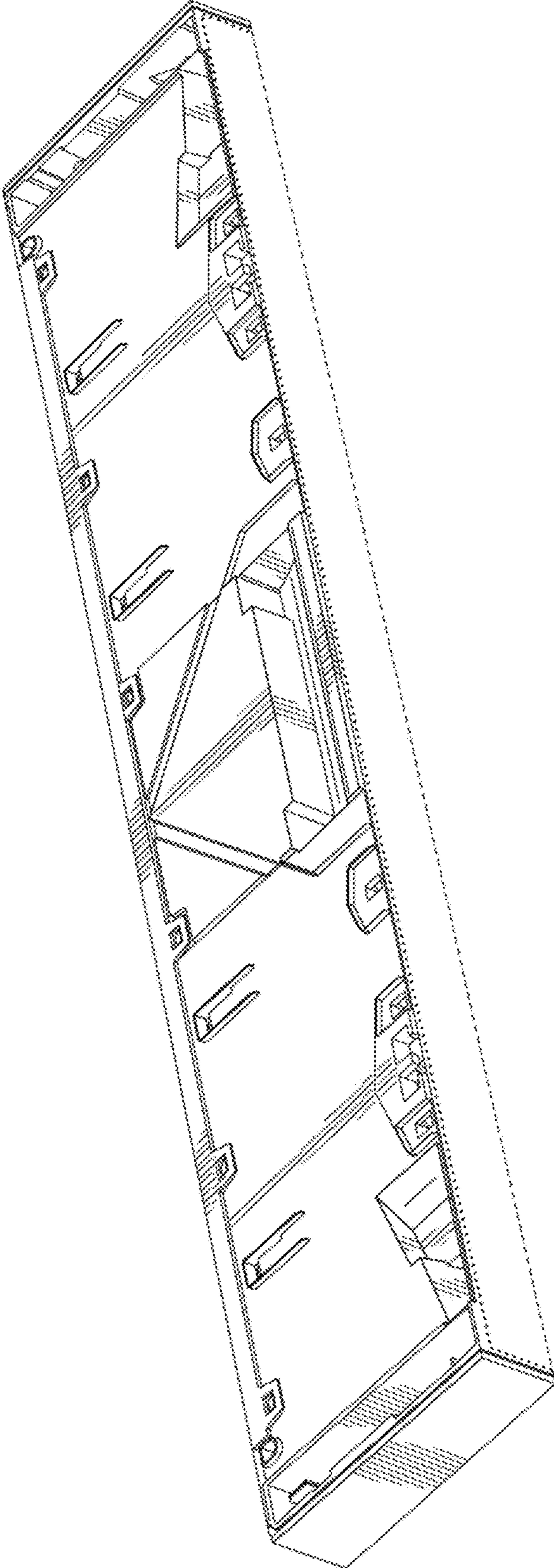


Fig. 4