



US00D778508S

(12) **United States Design Patent**
Moreau et al.

(10) **Patent No.:** **US D778,508 S**

(45) **Date of Patent:** **** *Feb. 7, 2017**

(54) **CLIP FOR A UNIVERSAL ACCESSORY SLOT OF A HARD HAT**

(71) Applicant: **Ty-Flot, Inc.**, Manchester, NH (US)

(72) Inventors: **Darrell A. Moreau**, Manchester, NH (US); **Andre W. Moreau**, Spring Hill, FL (US)

(73) Assignee: **TY-FLOT, INC.**, Manchester, NH (US)

(*) Notice: This patent is subject to a terminal disclaimer.

(**) Term: **14 Years**

(21) Appl. No.: **29/510,137**

(22) Filed: **Nov. 25, 2014**

(51) **LOC (10) Cl.** **29-02**

(52) **U.S. Cl.**
USPC **D29/122**

(58) **Field of Classification Search**
USPC D29/122; D8/395; D24/110.2; D2/891
CPC A42B 3/04; A42B 3/22; A42B 1/24;
A42B 3/08
See application file for complete search history.

(56) **References Cited**

U.S. PATENT DOCUMENTS

5,066,154	A *	11/1991	Renaud	A42B 3/04 24/10 R
5,640,743	A *	6/1997	Greene	B42F 1/10 24/10 R
5,966,738	A *	10/1999	Wang Lee	A42B 3/225 2/10
6,105,172	A *	8/2000	Shida	A42B 3/24 2/171.3

6,290,112	B1 *	9/2001	Iver	A44B 11/266 224/197
7,004,439	B1 *	2/2006	Taylor	A42B 3/04 248/548
7,963,426	B2 *	6/2011	Gruebel	H01R 13/73 2/422
8,245,320	B2 *	8/2012	Provost	A42B 3/185 2/12
D719,217	S *	12/2014	Costas	D19/86
8,908,389	B2 *	12/2014	Teetzel	F41H 1/04 2/205
9,131,740	B2 *	9/2015	Renaud	A42B 3/04
D741,554	S *	10/2015	Moreau	D29/122
D752,342	S *	3/2016	Woods	D3/219
D761,001	S *	7/2016	Kouns	D2/895
2011/0113529	A1 *	5/2011	Milioto	A42B 1/24 2/209.13
2012/0272483	A1 *	11/2012	Moore	A42B 1/247 24/3.3
2015/0040297	A1 *	2/2015	Vermillion	A42B 3/04 2/422

(Continued)

Primary Examiner — Vy Koenig

Assistant Examiner — Omeed Agilee

(74) *Attorney, Agent, or Firm* — Mesmer & Deleault PLLC

(57) **CLAIM**

The ornamental design for a clip for a universal accessory slot of a hard hat, as shown and described.

DESCRIPTION

FIG. 1 is a right-side, front, and top perspective view of a clip for a universal accessory slot of a hard hat showing our new design;

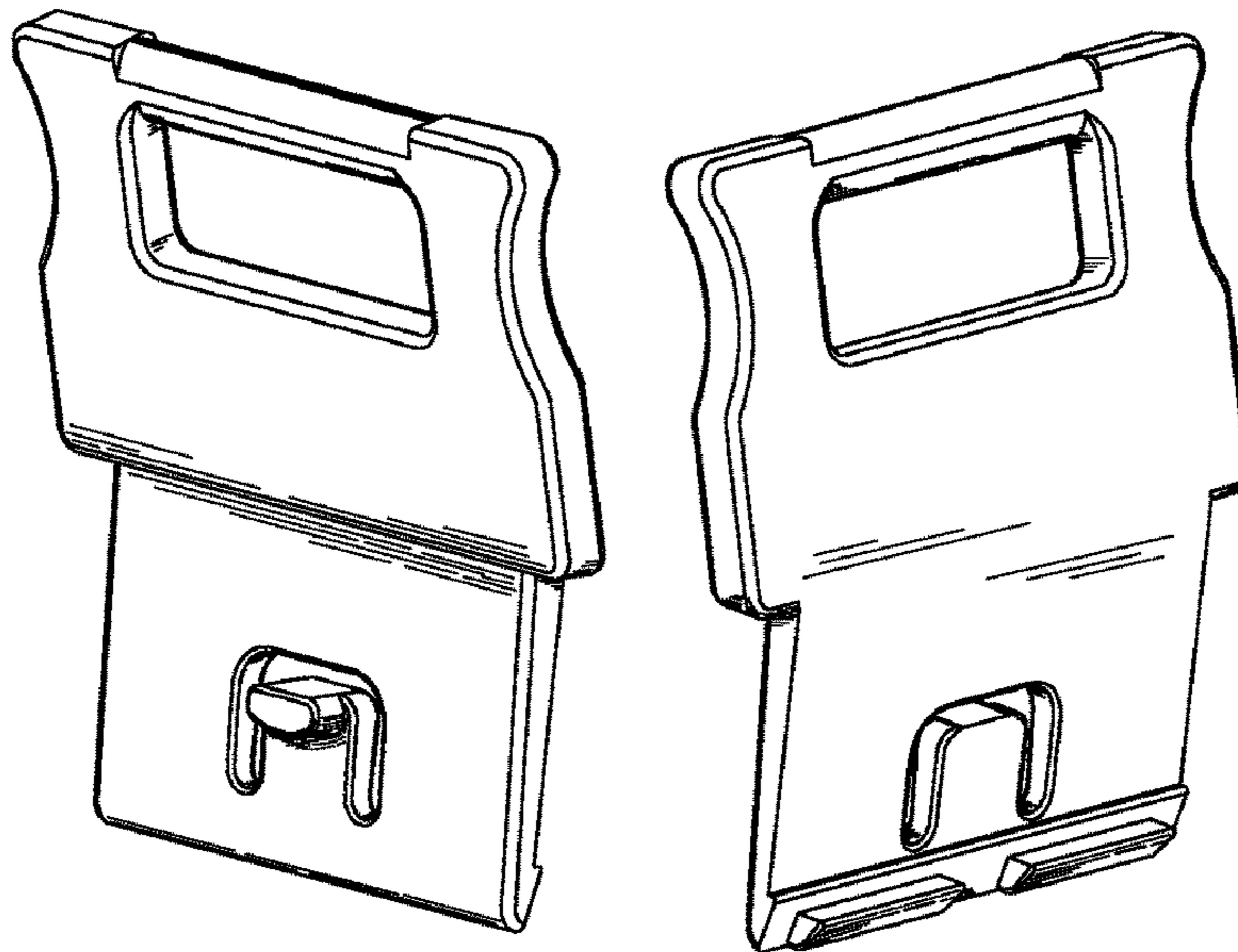
FIG. 2 is a right-side, rear, and top perspective view thereof;

FIG. 3 is a front elevational view thereof;

FIG. 4 is a left side elevational view thereof; and,

FIG. 5 is a rear elevational view thereof.

1 Claim, 1 Drawing Sheet



(56)

References Cited

U.S. PATENT DOCUMENTS

2016/0143384 A1* 5/2016 Moreau A42B 3/08
2/410
2016/0183620 A1* 6/2016 Moreau A42B 3/04
2/421

* cited by examiner

FIG. 1

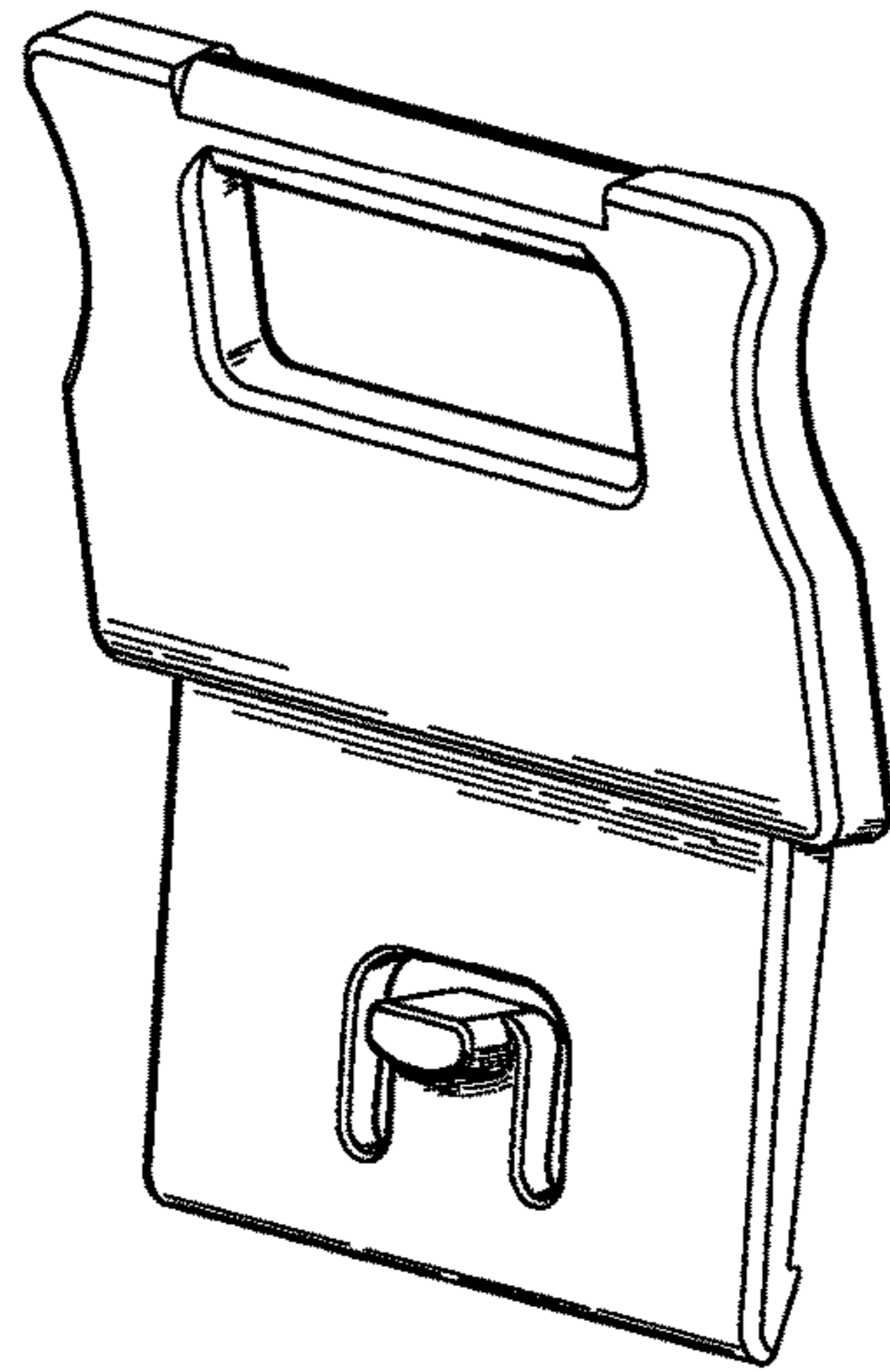


FIG. 2

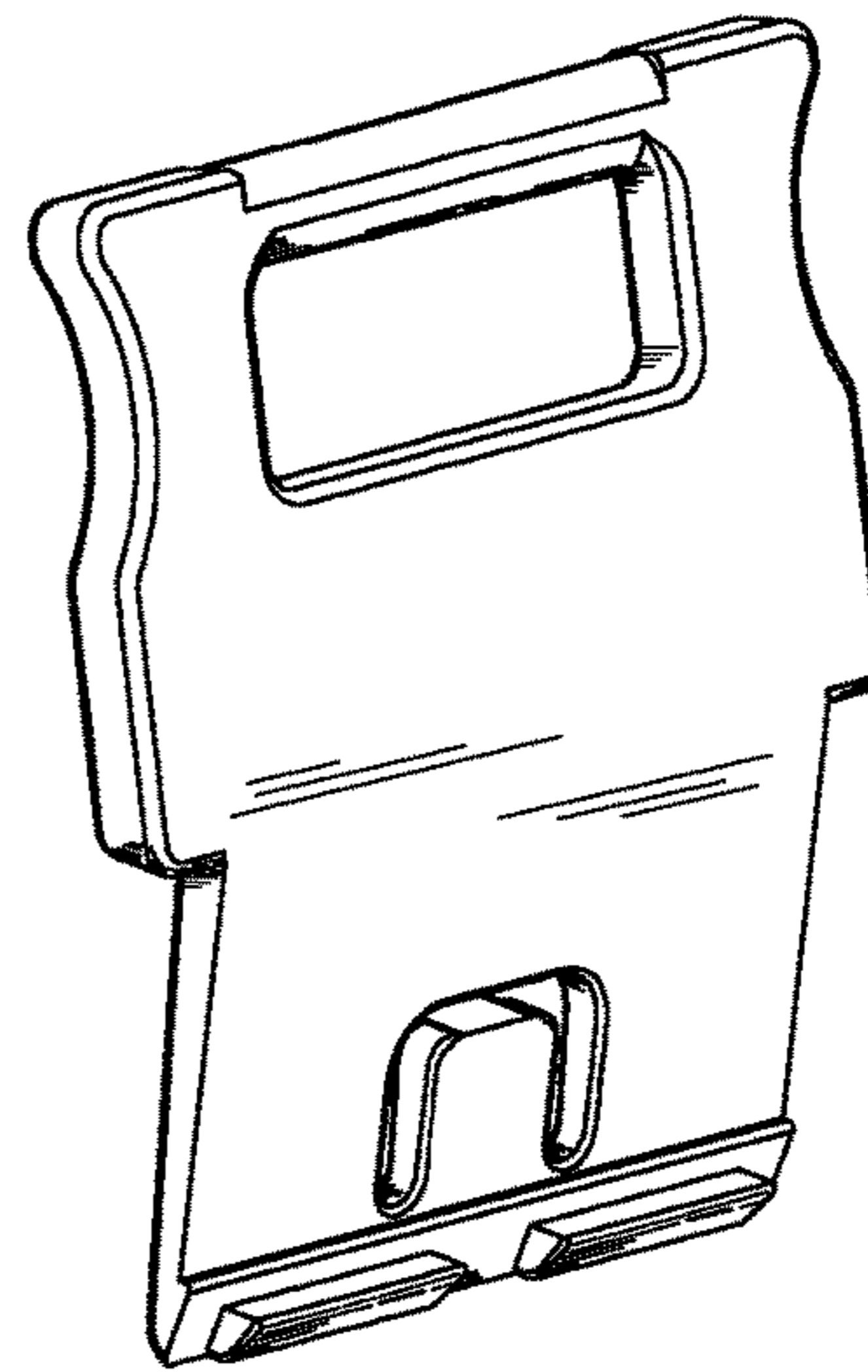


FIG. 3

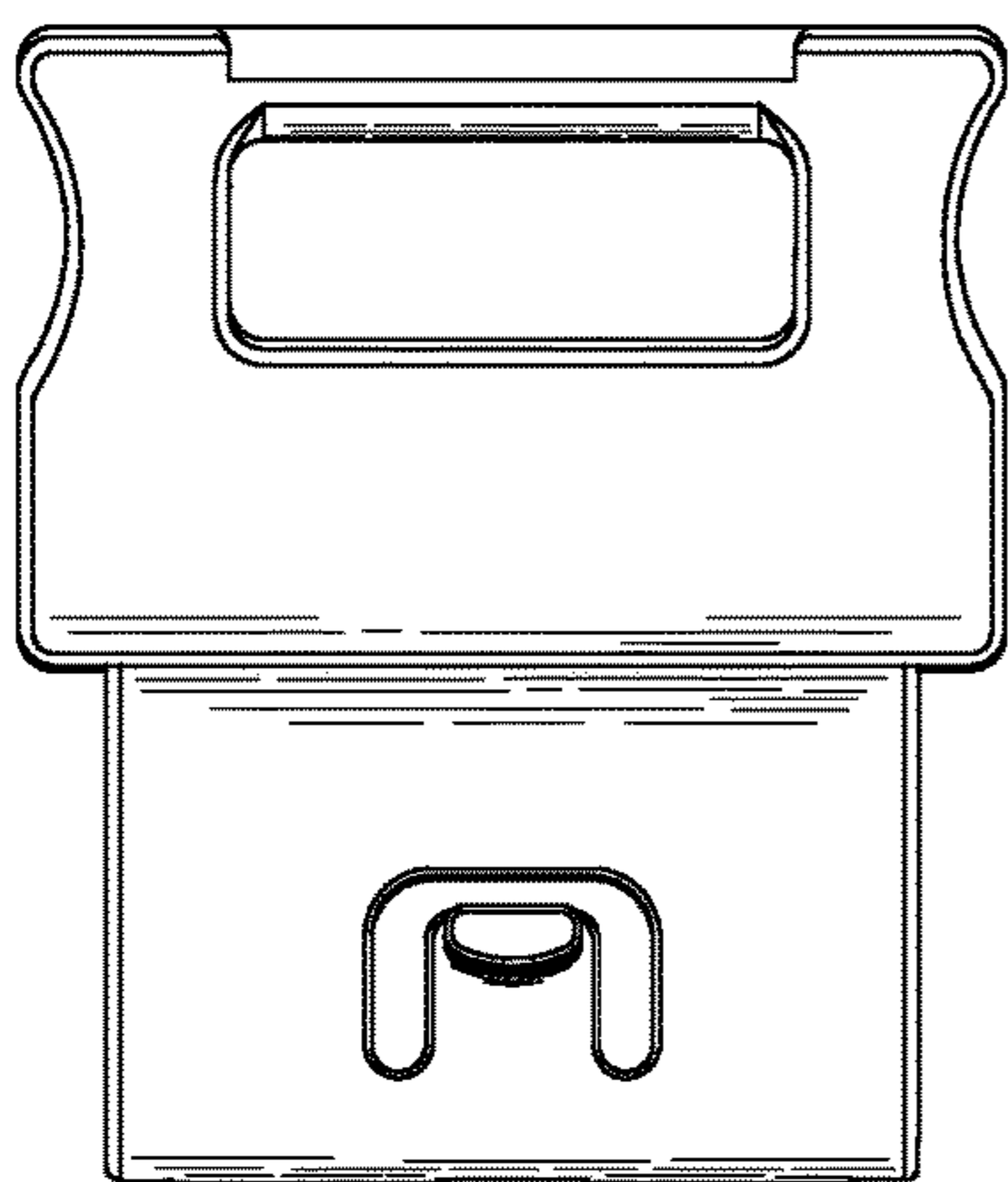


FIG. 4

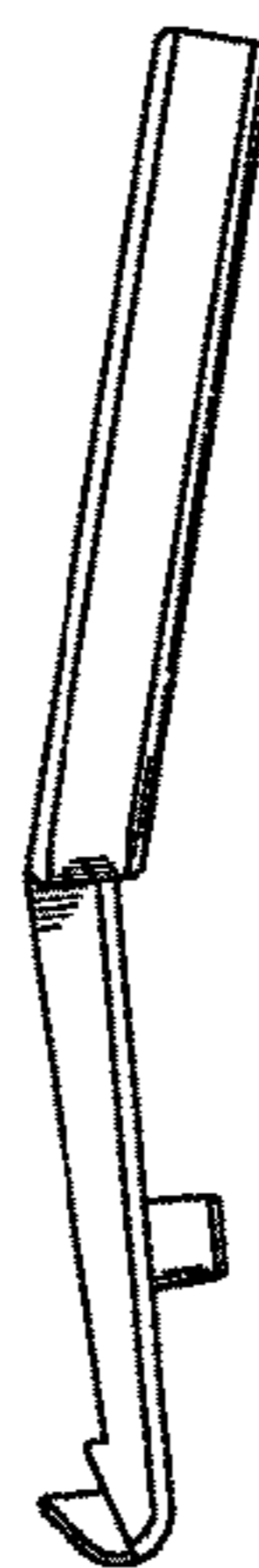


FIG. 5

