



US00D778506S

(12) **United States Design Patent**
Matfus et al.

(10) **Patent No.:** **US D778,506 S**

(45) **Date of Patent:** **** Feb. 7, 2017**

- (54) **ELBOW SLEEVE**
- (71) Applicants: **Nicholas Matfus**, New York, NY (US);
Jane Gilmartin, Manhasset, NY (US)
- (72) Inventors: **Nicholas Matfus**, New York, NY (US);
Jane Gilmartin, Manhasset, NY (US)

7,636,950 B2 * 12/2009 Melhart A41D 13/0015
2/115
D623,757 S * 9/2010 Chiang D24/190
D623,759 S * 9/2010 Chiang D24/190
D623,763 S * 9/2010 Chiang D24/192
D634,900 S * 3/2011 Eff D29/120.1
7,975,634 B1 * 7/2011 Dugan A41D 13/065
112/475.06

(73) Assignee: **IdeaVillage Products Corporation**,
Wayne, NJ (US)

* cited by examiner

(**) Term: **15 Years**

Primary Examiner — Randall Gholson

(74) *Attorney, Agent, or Firm* — Dan DeLaRosa

(21) Appl. No.: **29/505,440**

(57) **CLAIM**

The ornamental design for an elbow sleeve, as shown and described.

(22) Filed: **Nov. 2, 2015**

(51) **LOC (10) Cl.** **29-02**

DESCRIPTION

(52) **U.S. Cl.**

USPC **D29/121.1**

(58) **Field of Classification Search**

USPC D29/10, 11, 100, 101.5, 122; D2/711,
D2/713; 128/95.1, 96.1, 98.1, 846, 891;
602/67, 72, 73, 96, 108, 114; 2/2, 455;
450/38, 228, 267, 403, 405; 623/7;
604/352, 353, 395

CPC A41D 13/05; A41D 13/0525; A63B 71/08
See application file for complete search history.

FIG. 1 is a front perspective view of an elbow sleeve showing our new design;
FIG. 2 is a front side elevation view thereof;
FIG. 3 is a back side elevation view thereof;
FIG. 4 is a right side elevation view thereof;
FIG. 5 is a left side elevation view thereof;
FIG. 6 is a top side plan view thereof;
FIG. 7 is a bottom side plan view thereof; and,
FIG. 8 is a perspective view showing the elbow sleeve in use.

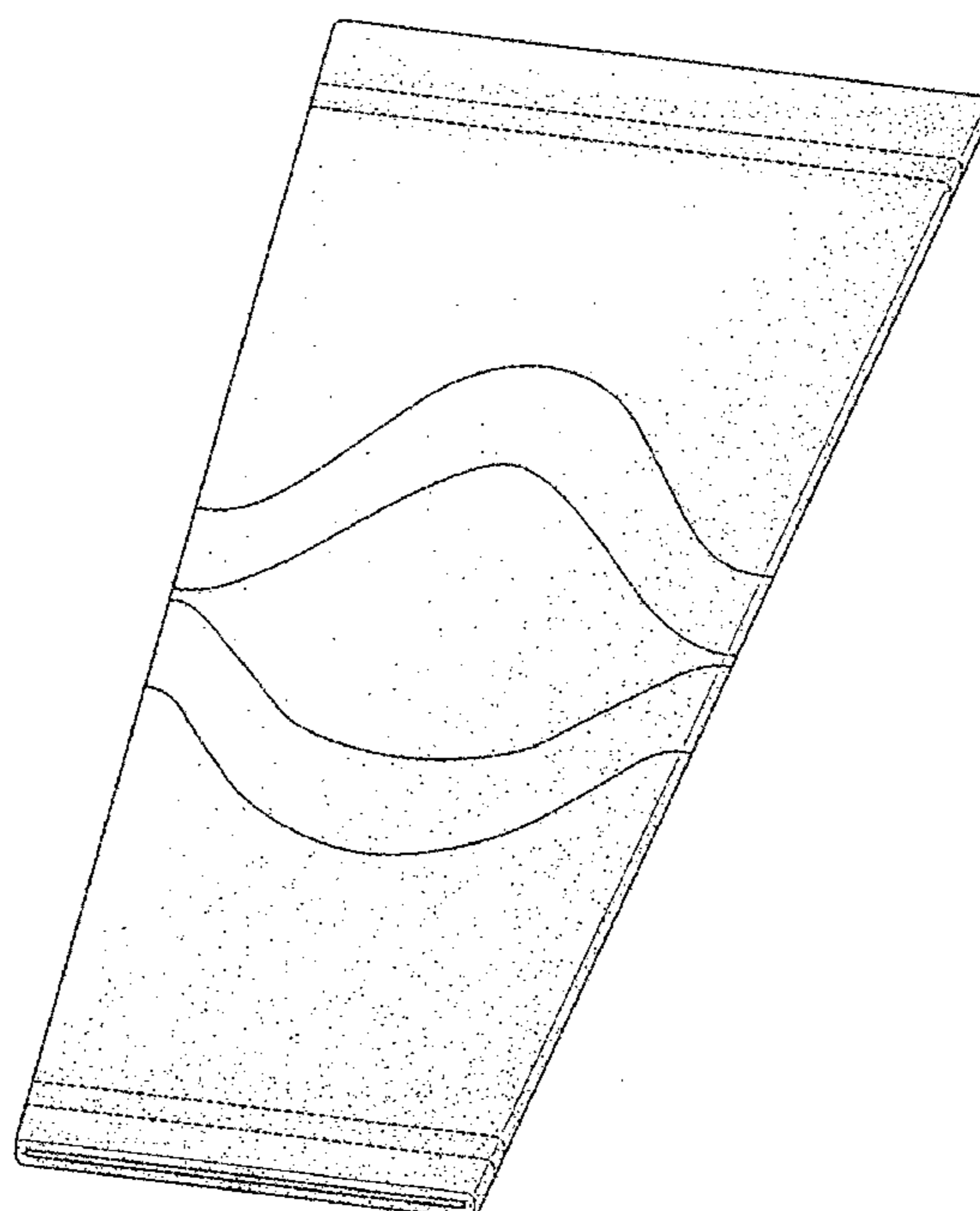
(56) **References Cited**

U.S. PATENT DOCUMENTS

D580,063 S * 11/2008 Lin D24/190
D596,746 S * 7/2009 Reinhardt D24/190
D598,115 S * 8/2009 Reinhardt D24/190

The broken lines depict portions of the elbow sleeve that form no part of the claimed design. The broken lines showing an arm in FIG. 8 show unclaimed environment and form no part of the claimed design.

1 Claim, 6 Drawing Sheets



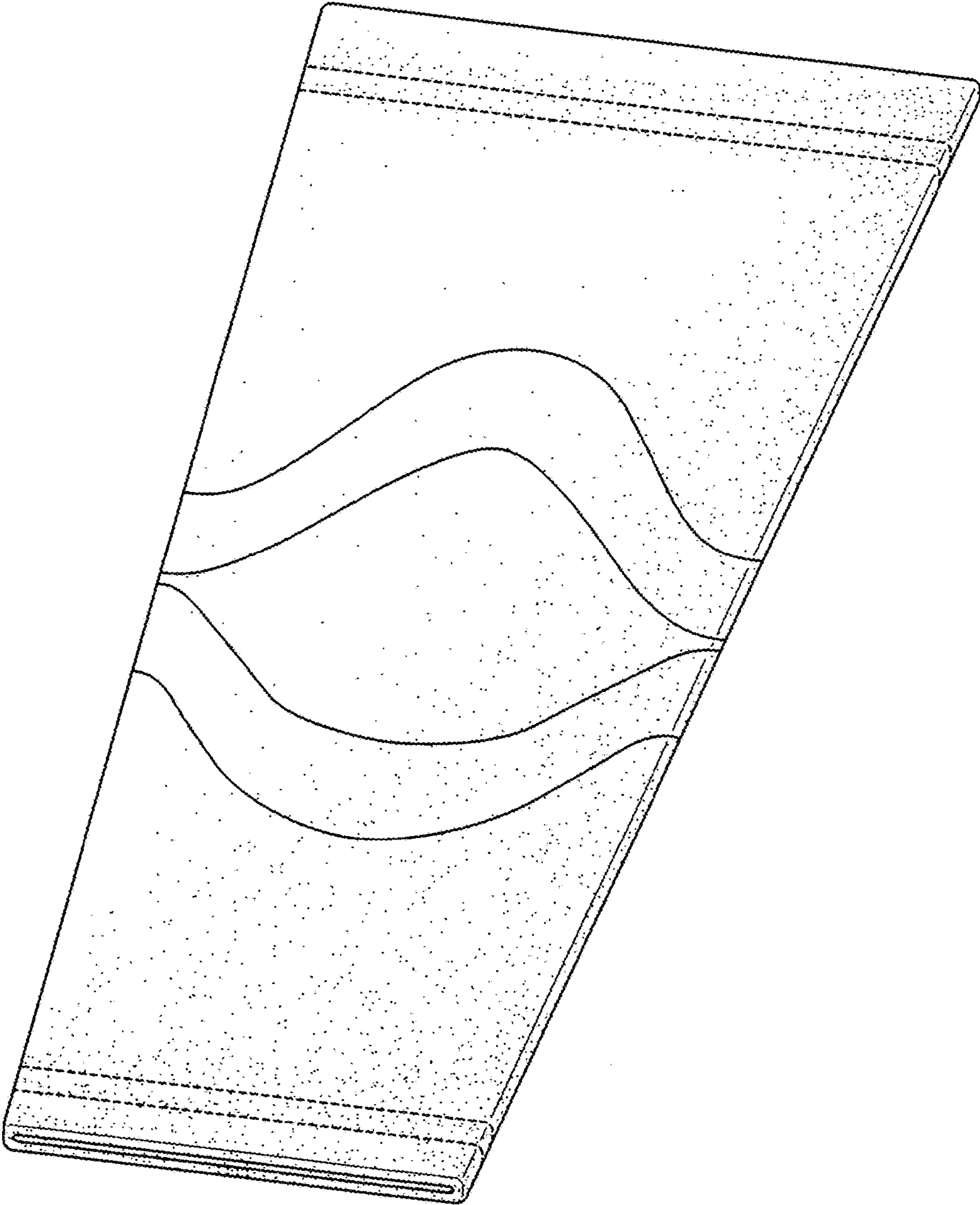


FIG. 1

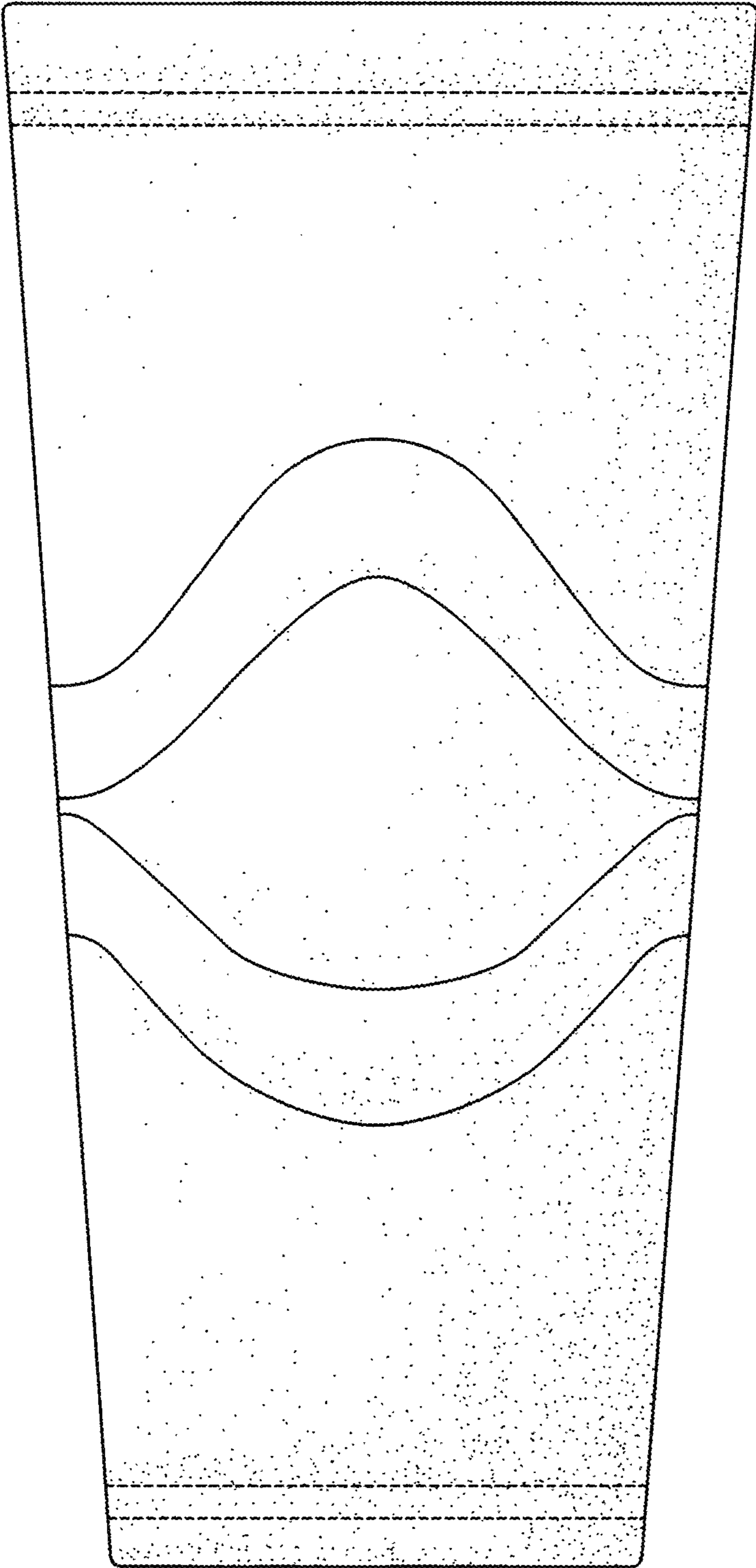


FIG. 2

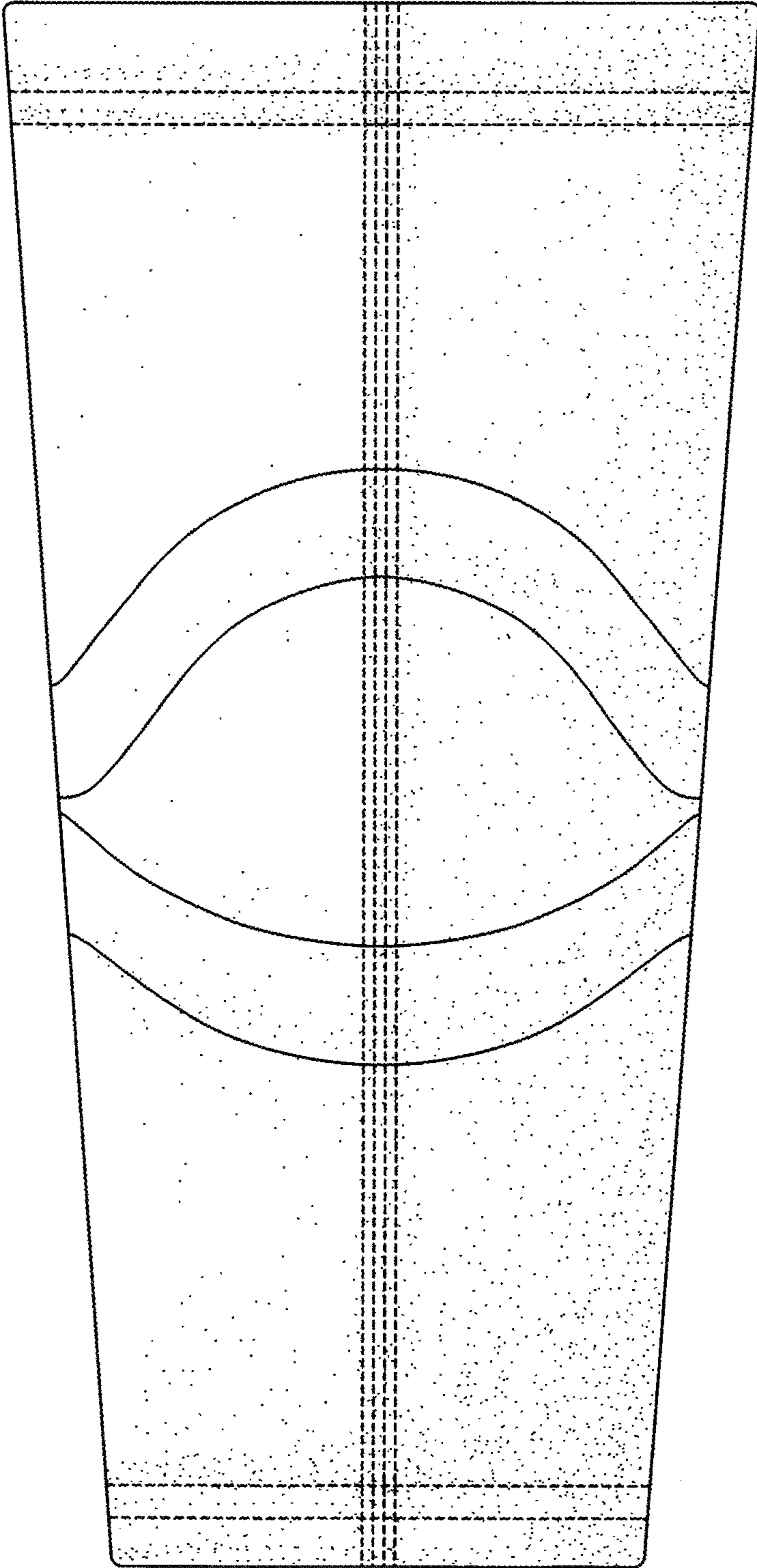


FIG. 3



FIG. 4



FIG. 5

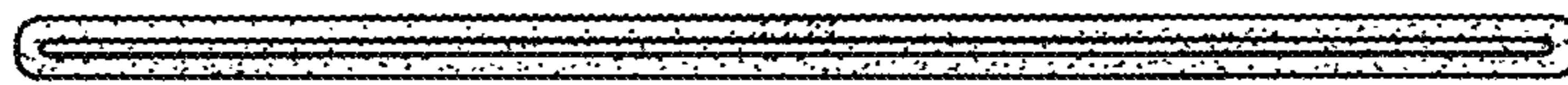


FIG. 6

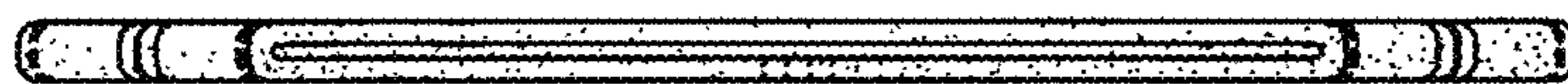


FIG. 7

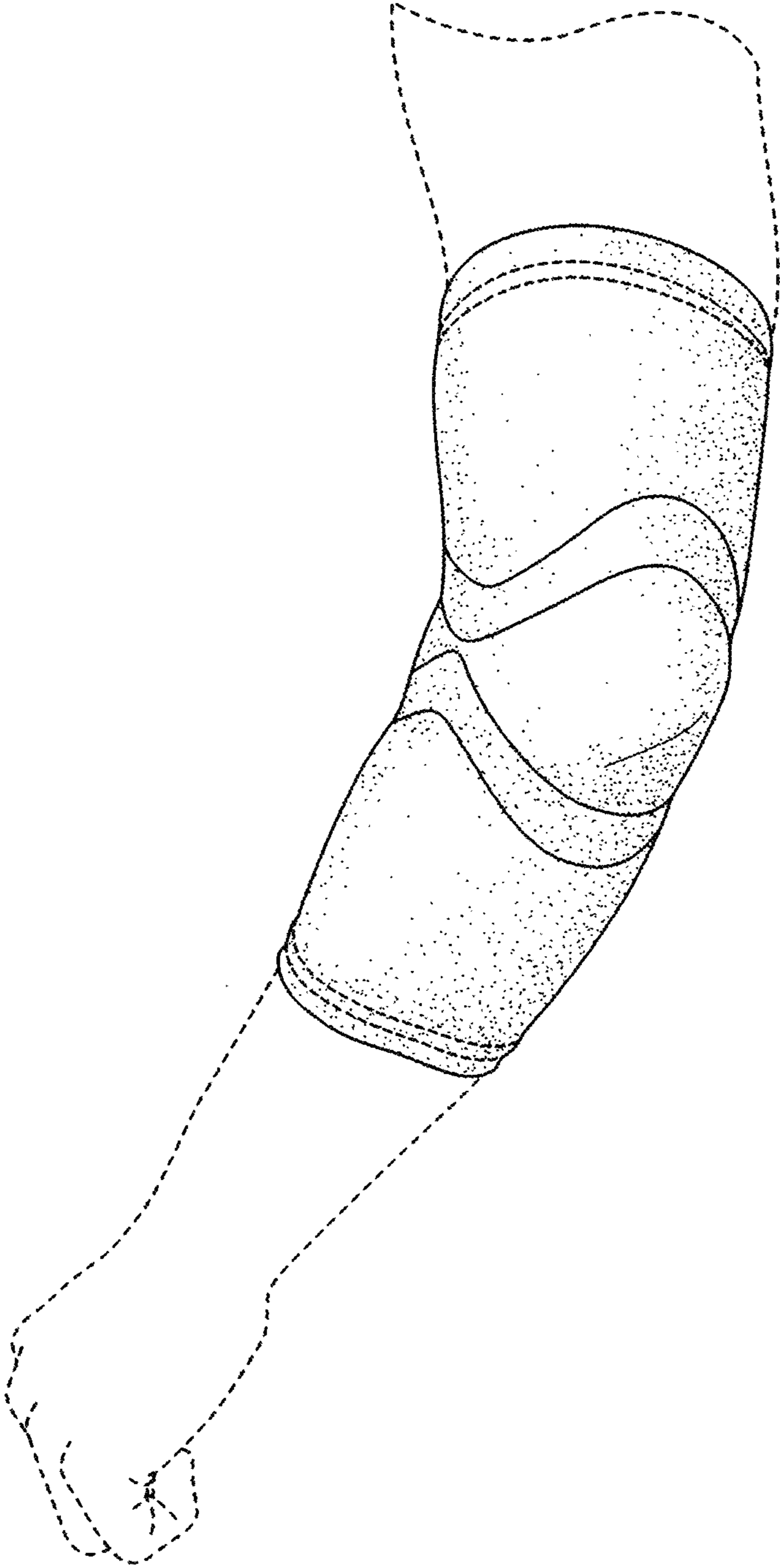


FIG. 8