



US00D778503S

(12) **United States Design Patent** (10) **Patent No.:** **US D778,503 S**  
**Teller** (45) **Date of Patent:** **\*\* Feb. 7, 2017**

(54) **CONTAINER FOR LIP BALM**  
(71) Applicant: **EOS PRODUCTS, LLC**, New York, NY (US)  
(72) Inventor: **Jonathan Teller**, New York, NY (US)  
(73) Assignee: **EOS PRODUCTS, LLC**, New York, NY (US)  
(\*\*) Term: **14 Years**

D291,066 S \* 7/1987 Antoine ..... D9/418  
D306,694 S \* 3/1990 Beier-Rosetti ..... D9/529  
D320,933 S \* 10/1991 Courtiere ..... D9/529  
D365,516 S \* 12/1995 Williamson ..... D9/651  
D368,430 S \* 4/1996 Herzog ..... D9/651  
D374,640 S \* 10/1996 Shryock ..... D11/143  
D477,227 S \* 7/2003 Goswell ..... D9/529  
D505,517 S \* 5/2005 Baresi ..... D28/76  
D573,026 S \* 7/2008 Tsai ..... D9/435  
D583,249 S \* 12/2008 Kracke ..... D9/420  
D584,950 S \* 1/2009 Courtaigne Delalande ... D9/529

(Continued)

(21) Appl. No.: **29/519,617**  
(22) Filed: **Mar. 6, 2015**

**OTHER PUBLICATIONS**

amazon.com, "Package of 12 Clear Acrylic Diamond Shaped Favor Boxes", Accessed Feb. 18, 2016, Reviewed as early as Dec. 27, 2013. (<http://www.amazon.com/Package-Clear-Acrylic-Diamond-Shaped/dp/B004RPX5HO>).\*

(Continued)

*Primary Examiner* — Jennifer Rivard  
*Assistant Examiner* — April Rivas  
(74) *Attorney, Agent, or Firm* — Martin & Ferraro, LLP

**Related U.S. Application Data**

(63) Continuation of application No. 29/485,897, filed on Mar. 24, 2014, which is a continuation of application No. 29/437,671, filed on Nov. 20, 2012, now Pat. No. Des. 709,652.

(51) **LOC (10) Cl.** ..... **28-03**  
(52) **U.S. Cl.**  
USPC ..... **D28/85**; D9/516; D9/529; D9/559;  
D9/574

(57) **CLAIM**

The ornamental design for a container for lip balm, substantially as shown and described.

(58) **Field of Classification Search**  
USPC ... D28/4, 76, 77, 85, 86, 87, 88, 89, 90, 83;  
D9/657, 737, 738, 516, 522, 529, 549,  
D9/551, 546, 553, 555, 560, 559, 564,  
D9/566, 504, 432, 726, 430, 519, 414,  
D9/423, 435, 418, 424, 420; D3/208, 903,  
D3/302, 275, 274; D27/152, 302  
CPC ..... A45D 33/00; A45D 33/14; A45D 34/06;  
A45D 40/00; A45D 40/0068; A45D  
40/02; A45D 40/20; A45D 40/06; A45D  
40/24

**DESCRIPTION**

FIG. 1 is a front, top isometric view of a container for lip balm comprising a new, original and ornamental design; FIG. 2 is a front view thereof; FIG. 3 is a right-hand side view thereof; FIG. 4 is a left-hand side view thereof; FIG. 5 is a rear view thereof; FIG. 6 is a top view thereof; and, FIG. 7 is a bottom view thereof.

The dash-dot broken lines illustrate the bounds of the claimed design. The broken lines illustrate portions of the container for lip balm. None of the broken lines form part of the claimed design.

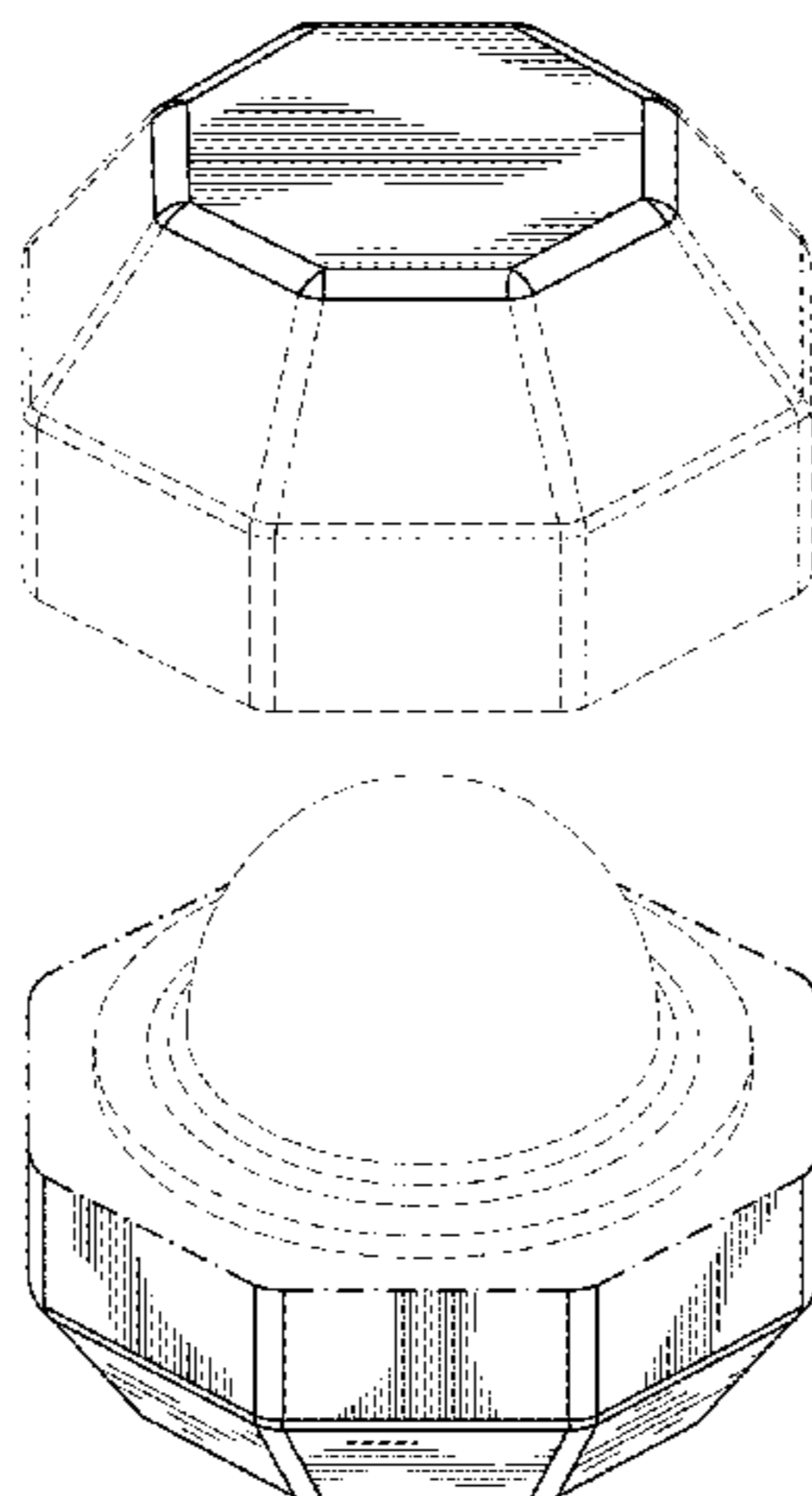
See application file for complete search history.

(56) **References Cited**

**U.S. PATENT DOCUMENTS**

D76,405 S \* 9/1928 Levault ..... D9/546  
D142,315 S \* 8/1945 Beveridge ..... D28/78

**1 Claim, 6 Drawing Sheets**



(56)

**References Cited**

## U.S. PATENT DOCUMENTS

D613,476 S \* 4/2010 Lee ..... D1/127  
D626,422 S \* 11/2010 Lloyd ..... D9/435  
D649,738 S \* 12/2011 Hollmann ..... D1/106  
D708,790 S \* 7/2014 Schlatter ..... D28/89  
D709,652 S \* 7/2014 Teller ..... D28/83  
D711,236 S \* 8/2014 Friesen ..... D9/519  
D726,967 S \* 4/2015 Komai ..... D28/87  
D734,894 S \* 7/2015 Schlatter ..... D28/76  
D735,415 S \* 7/2015 Thompson ..... D28/83  
D737,689 S \* 9/2015 Monteparo ..... D9/435  
D742,593 S \* 11/2015 Corey ..... D28/83

## OTHER PUBLICATIONS

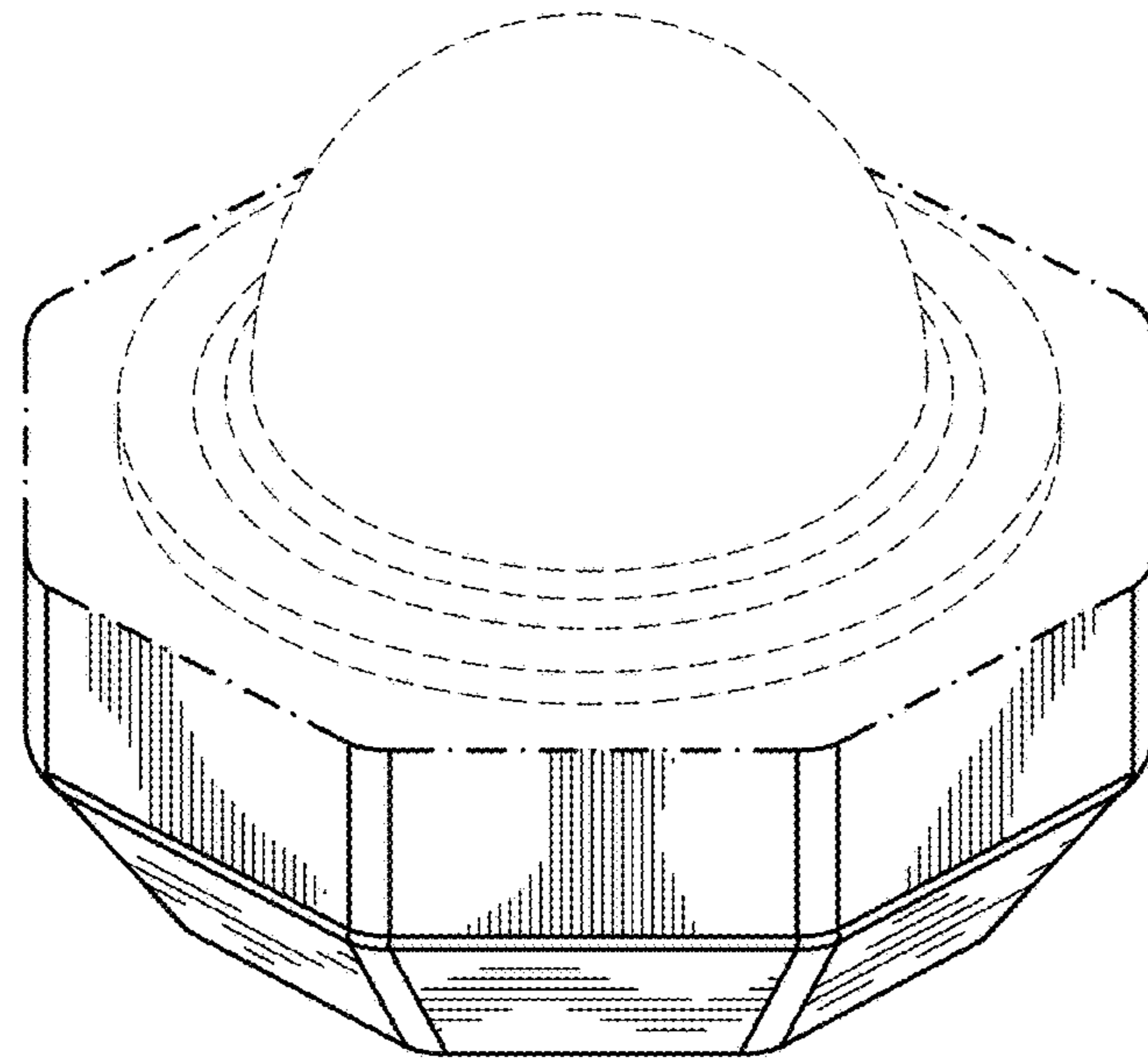
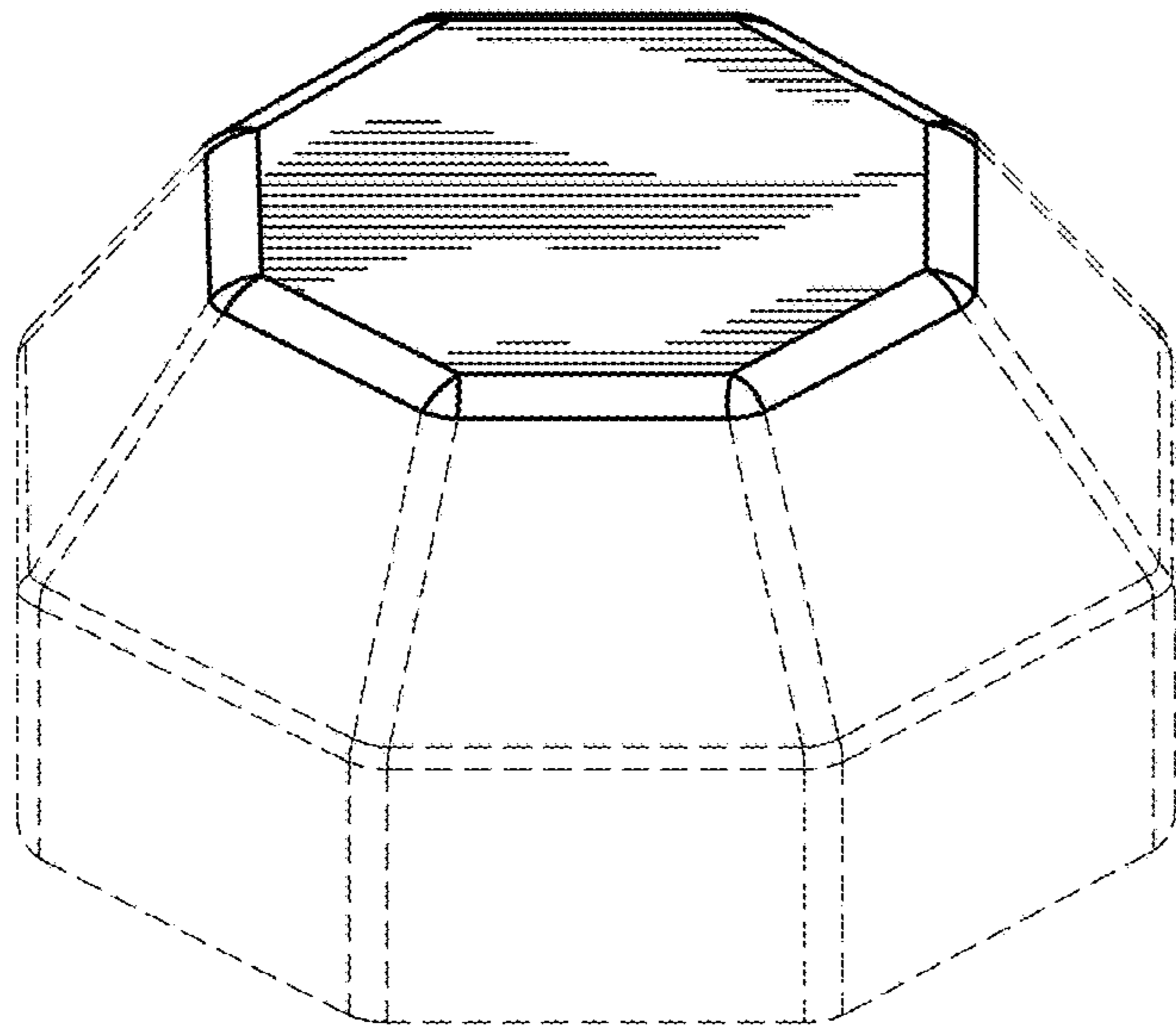
lalangbeads.com, "5 pc packet Clear Faceted Plastic Wedding Rings Display Packaging Storage Case", Accessed Feb. 18, 2016. No Review Date. (<http://www.lalangbeads.com/...lear-faceted-plastic-wedding-rings-display-packaging-storage-case-boxes-red-120521-p-18977.html?zenid=7c4c9d30613d88cff104bfca5246a081>).\*

alibaba.com, "Best Selling!! Diamond shape empty compact container . . ." Accessed Feb. 18, 2016. No Review date. ([http://www.alibaba.com/product-detail/Best-Selling-Diamond-Shape-Empty-Compact\\_60149795940/showimage.html](http://www.alibaba.com/product-detail/Best-Selling-Diamond-Shape-Empty-Compact_60149795940/showimage.html)).\*

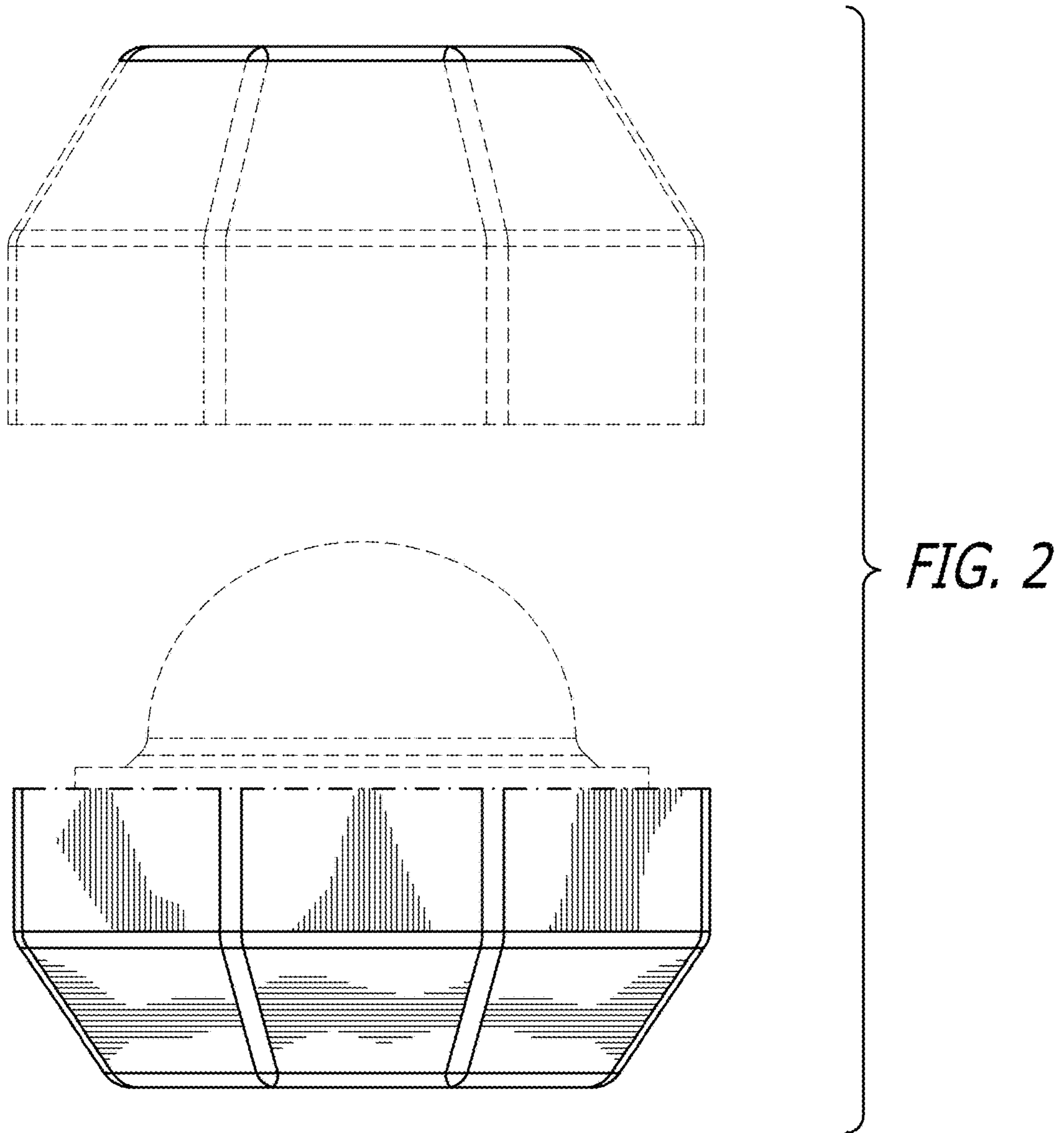
everbluec blog, "Lady Million—A woman's fragrance by Paco Rabanne", Posted Aug. 13, 2012, Accessed May 31, 2016 ([http://www.everbluec.com/2012/08/lady-million-womens-fragrance-by-paco\\_13.html](http://www.everbluec.com/2012/08/lady-million-womens-fragrance-by-paco_13.html)).\*

Adrian Sassoon, "Square faceted box, 2011", Created by Andrea Walsh in 2011, Accessed Jun. 7, 2016. (<http://www.adriansassoon.com/contemporary/glass.html?view=artwork&id=2891>).\*

\* cited by examiner



*FIG. 1*



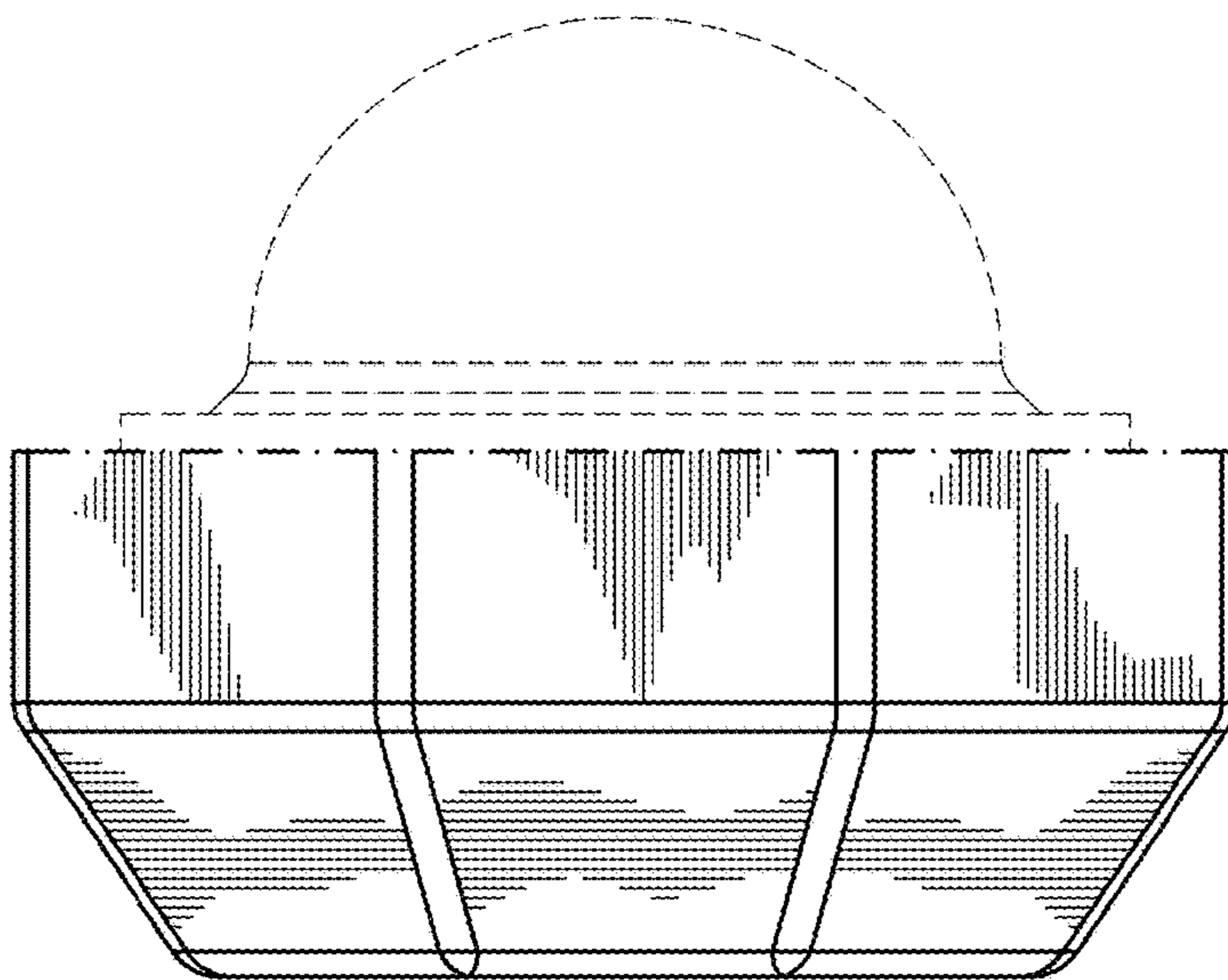
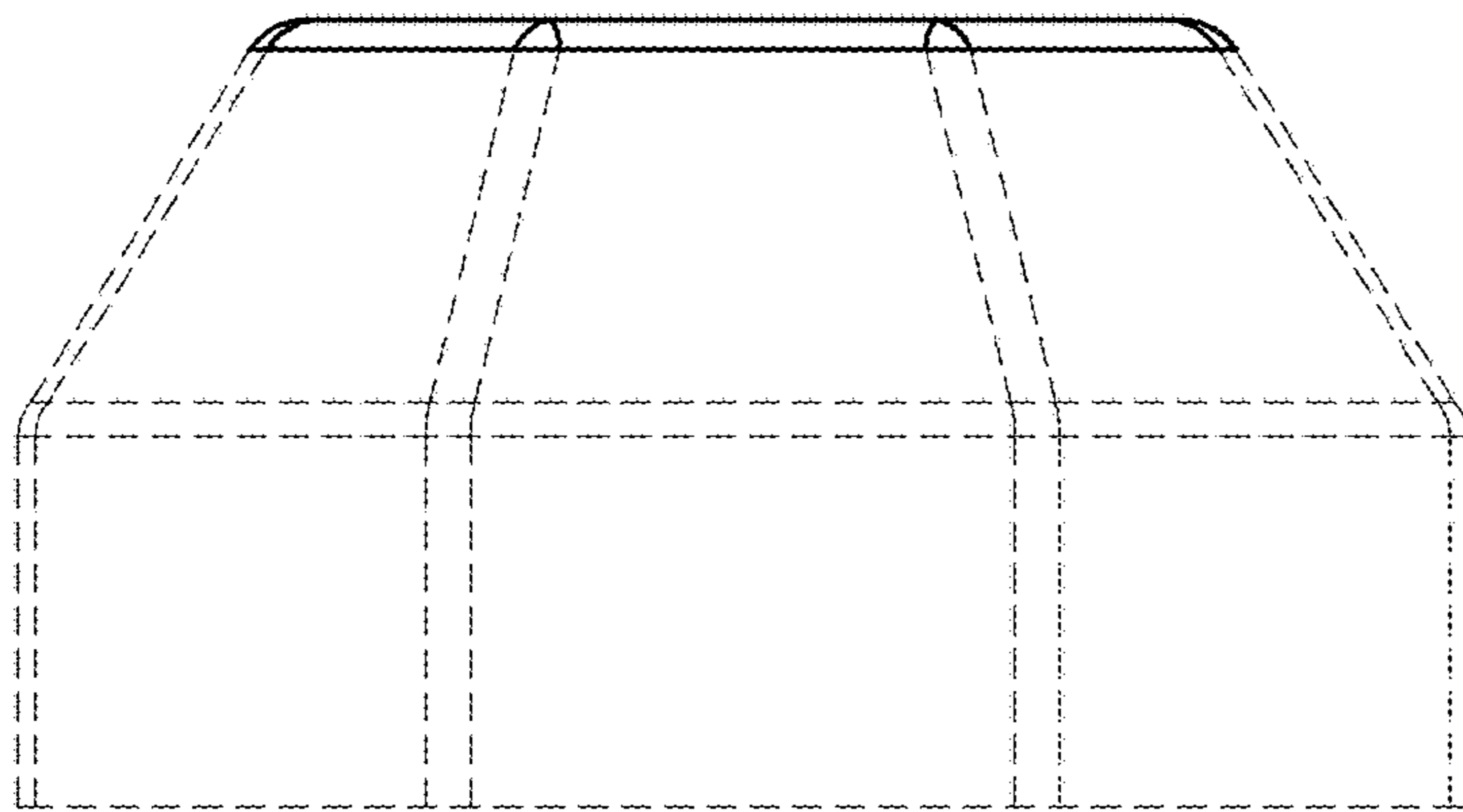
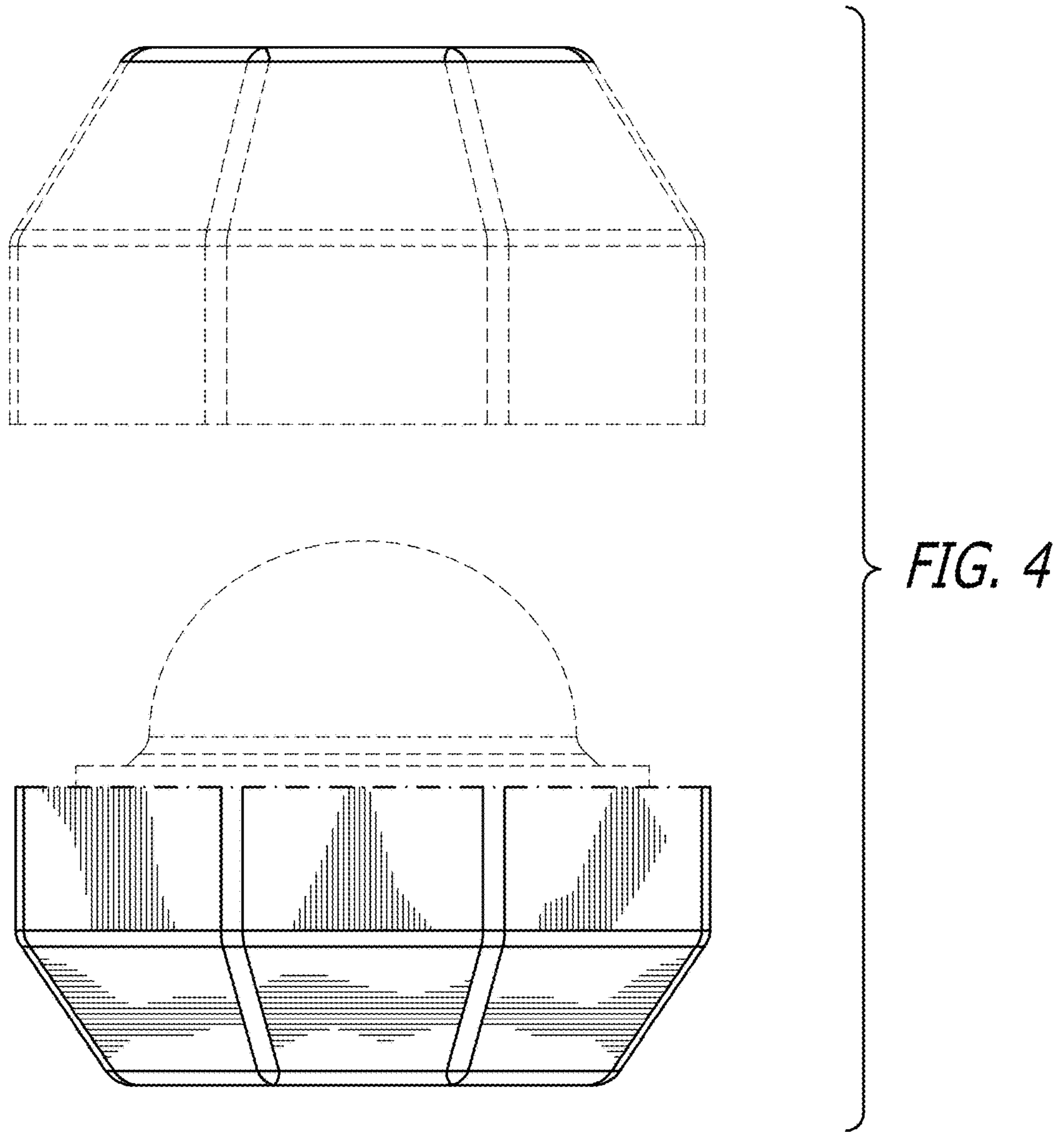


FIG. 3



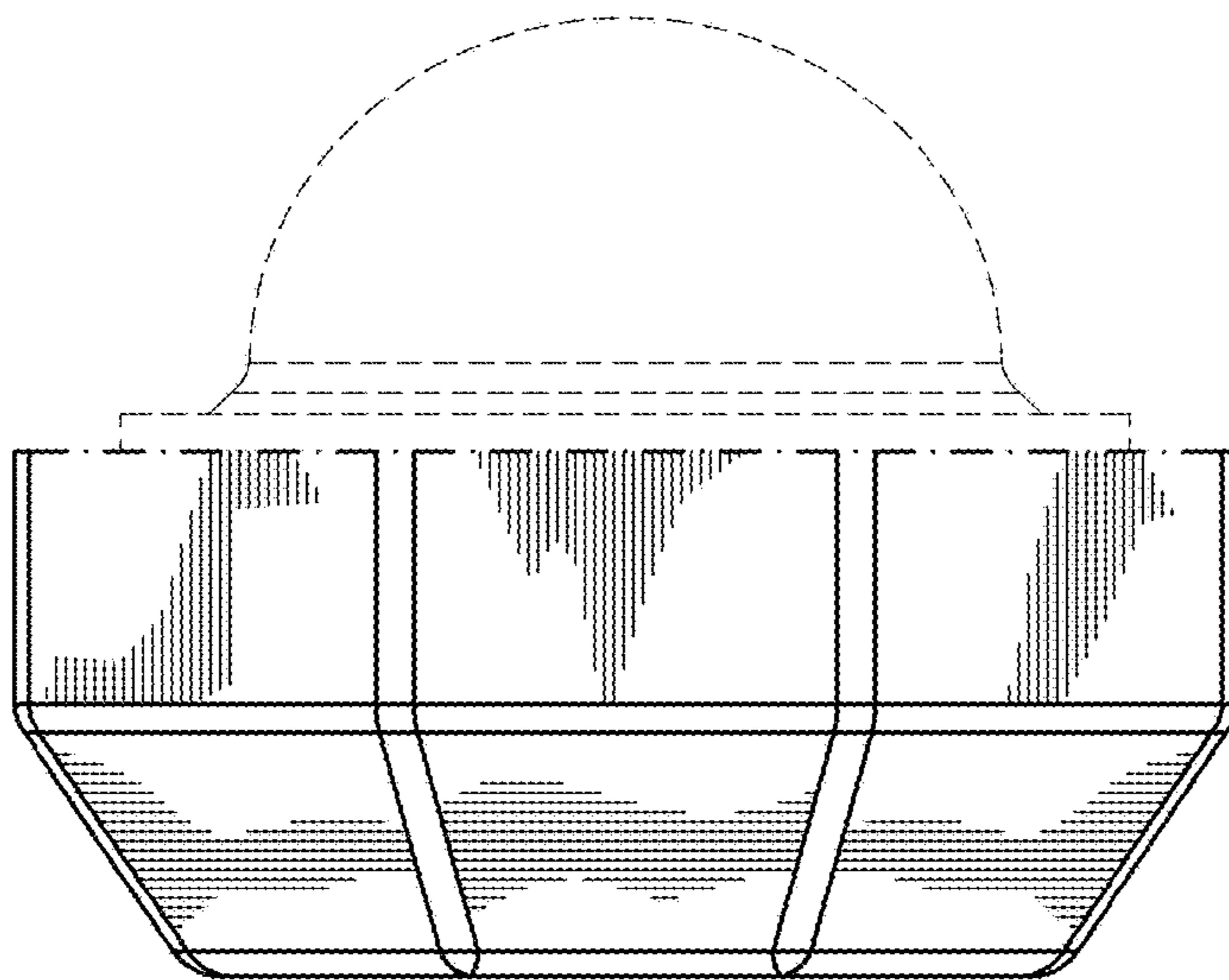
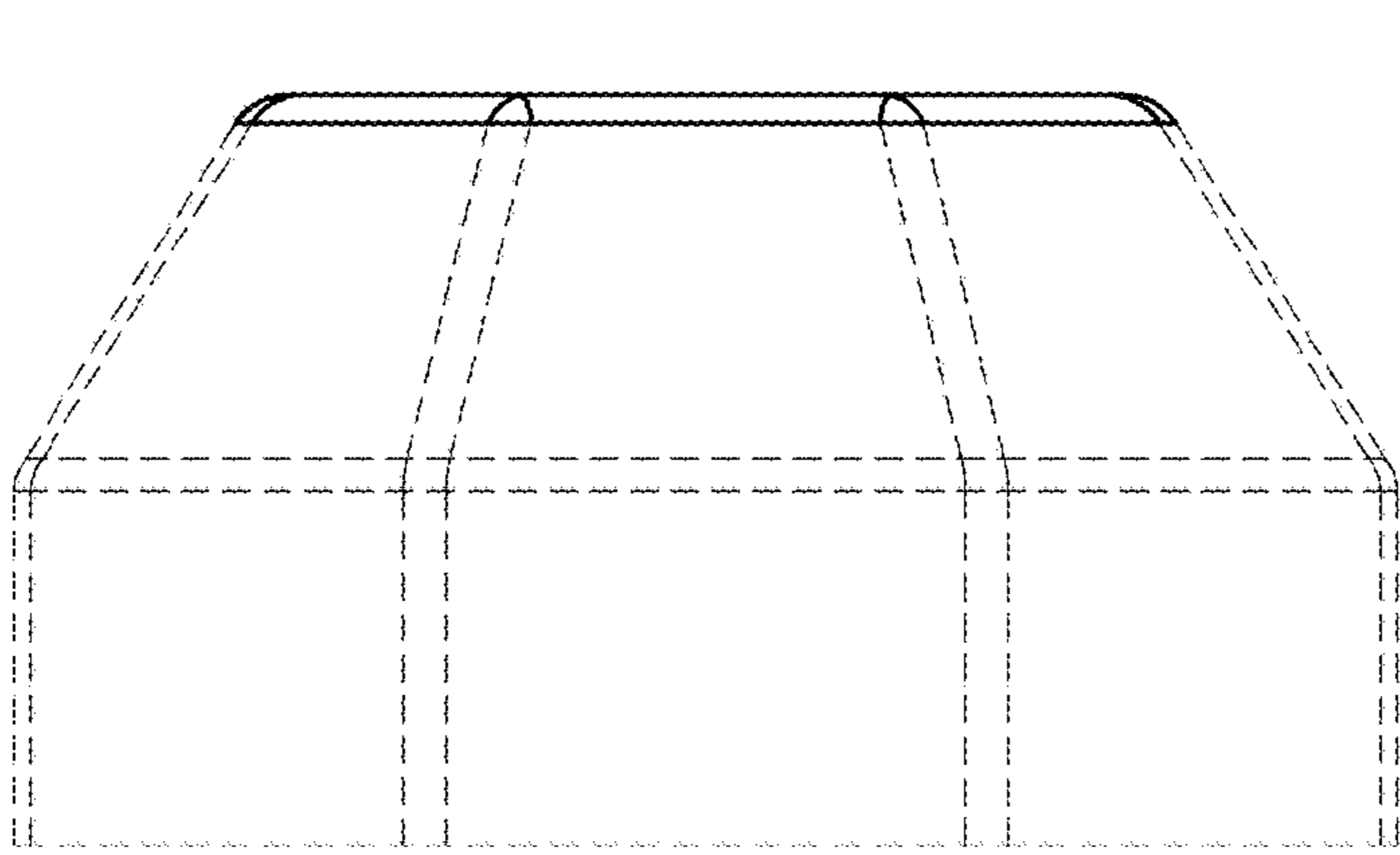
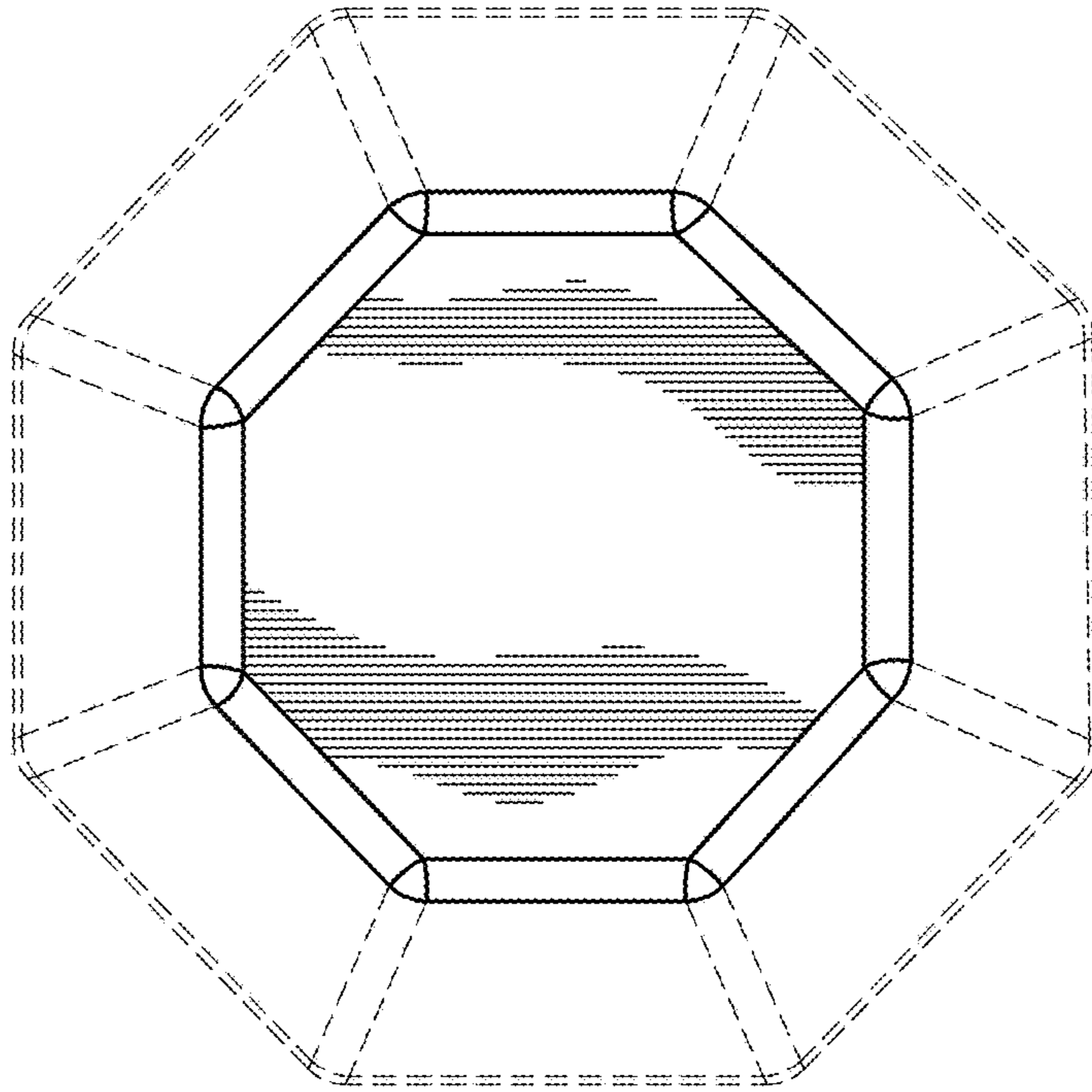


FIG. 5

*FIG. 6*



*FIG. 7*

