



US00D778501S

(12) **United States Design Patent** (10) **Patent No.:** **US D778,501 S**
Tokko (45) **Date of Patent:** **** Feb. 7, 2017**

(54) **HAIR RACK**
(71) Applicant: **Ryan Tokko**, Hollywood, CA (US)
(72) Inventor: **Ryan Tokko**, Hollywood, CA (US)
(73) Assignee: **The Hair Shop, Inc.**, Hollywood, CA (US)
(**) Term: **15 Years**
(21) Appl. No.: **29/527,614**
(22) Filed: **May 20, 2015**
(51) **LOC (10) Cl.** **28-03**
(52) **U.S. Cl.**
USPC **D28/73; D28/10; D28/93; D6/680.2; D6/682.4**
(58) **Field of Classification Search**
USPC D28/9-10, 73, 93; D6/677, 677.1, 677.5, D6/682.4, 680.2
CPC A45D 44/20; A45D 44/04; A45D 44/14; A45D 44/16; A47F 5/04-5/06; A47F 7/065
See application file for complete search history.

(56) **References Cited**

U.S. PATENT DOCUMENTS

721,424 A * 2/1903 Clark A47F 5/02 211/58
D300,266 S * 3/1989 Lane D11/118
D394,575 S * 5/1998 Mikloczak D6/552
6,938,766 B1 * 9/2005 Lee A47F 5/02 206/388
7,159,728 B2 * 1/2007 Smith A45D 44/14 211/115
7,165,689 B2 * 1/2007 McDaniel A47B 96/061 211/116
7,775,377 B2 * 8/2010 Abney A45D 44/06 211/13.1

8,950,591 B1 * 2/2015 McDowell A45D 44/14 211/13.1
8,998,002 B1 * 4/2015 Milner A47F 7/065 211/13.1
9,332,820 B2 * 5/2016 Bernard A45D 44/02
2001/0019095 A1 * 9/2001 Valiulis A47B 91/00 248/188.7
2005/0194327 A1 * 9/2005 Chen H05B 3/16 211/13.1
2005/0247836 A1 * 11/2005 Park F16B 12/32 248/214
2006/0289368 A1 * 12/2006 Abney A47F 7/065 211/13.1
2009/0008347 A1 * 1/2009 Bell A45D 44/02 211/61

(Continued)

FOREIGN PATENT DOCUMENTS

DE 29501743 U1 * 4/1995 A47F 5/04

Primary Examiner — Jennifer Rivard

(74) *Attorney, Agent, or Firm* — East West Law Group; Heedong Chae

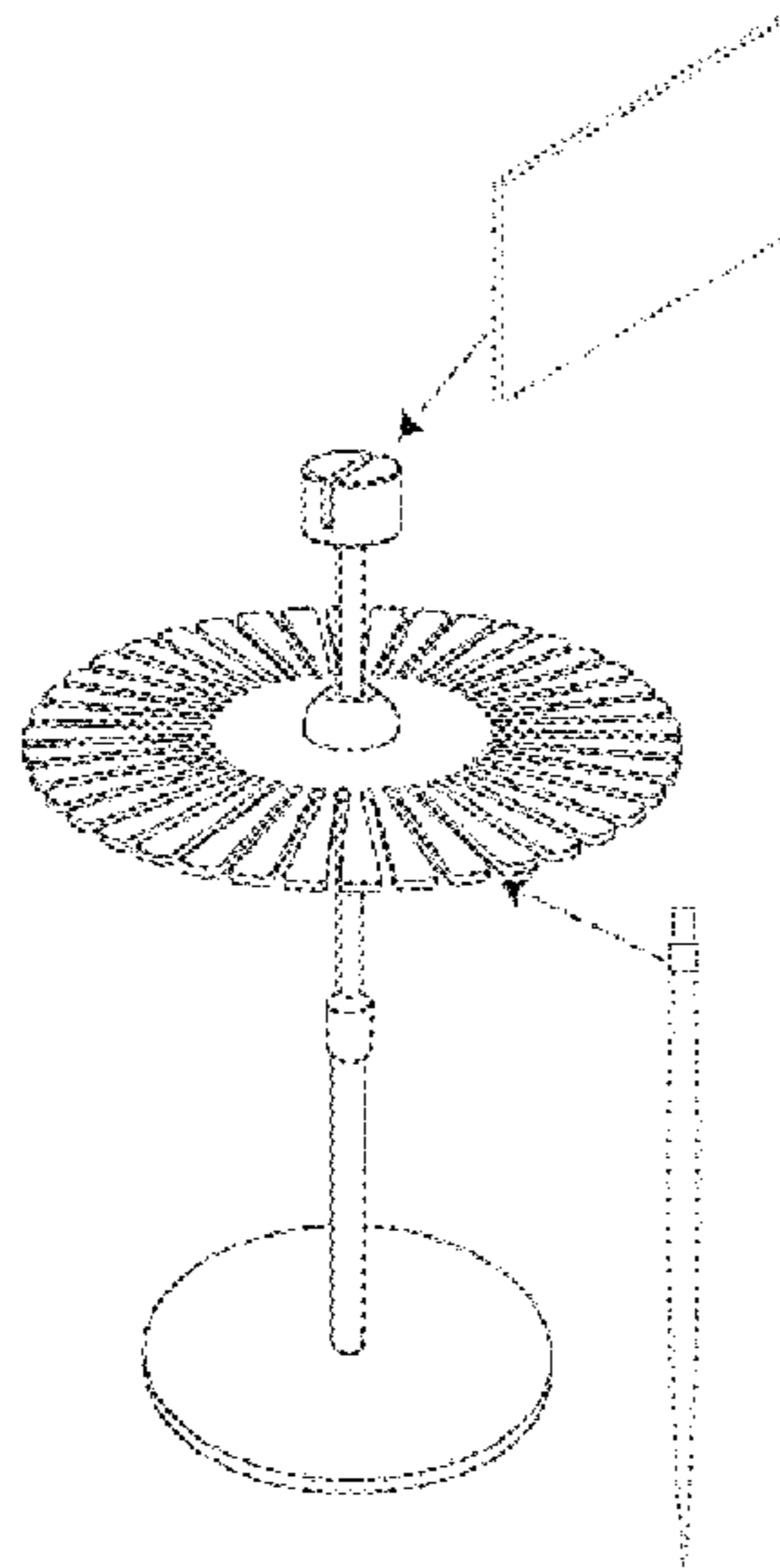
(57) **CLAIM**

The ornamental design for a hair rack, as shown and described.

DESCRIPTION

FIG. 1 is a perspective view of a hair rack showing my new design;
FIG. 2 is a front elevational view thereof;
FIG. 3 is a rear elevational view thereof;
FIG. 3 is a left side elevational view thereof;
FIG. 5 is a right side elevational view thereof;
FIG. 6 is a top plan view thereof; and,
FIG. 7 is a bottom plan view thereof.
The broken line showing of environment is for illustrative purposes only and forms no part of the claimed design.

1 Claim, 7 Drawing Sheets



(56)

References Cited

U.S. PATENT DOCUMENTS

2013/0104922 A1* 5/2013 Hall A45D 44/04
132/200
2014/0084773 A1* 3/2014 Correa A47L 13/51
312/329
2014/0191634 A1* 7/2014 Smiley A47F 7/065
312/209
2015/0196143 A1* 7/2015 Sterling F16M 13/022
29/452

* cited by examiner

FIG. 1

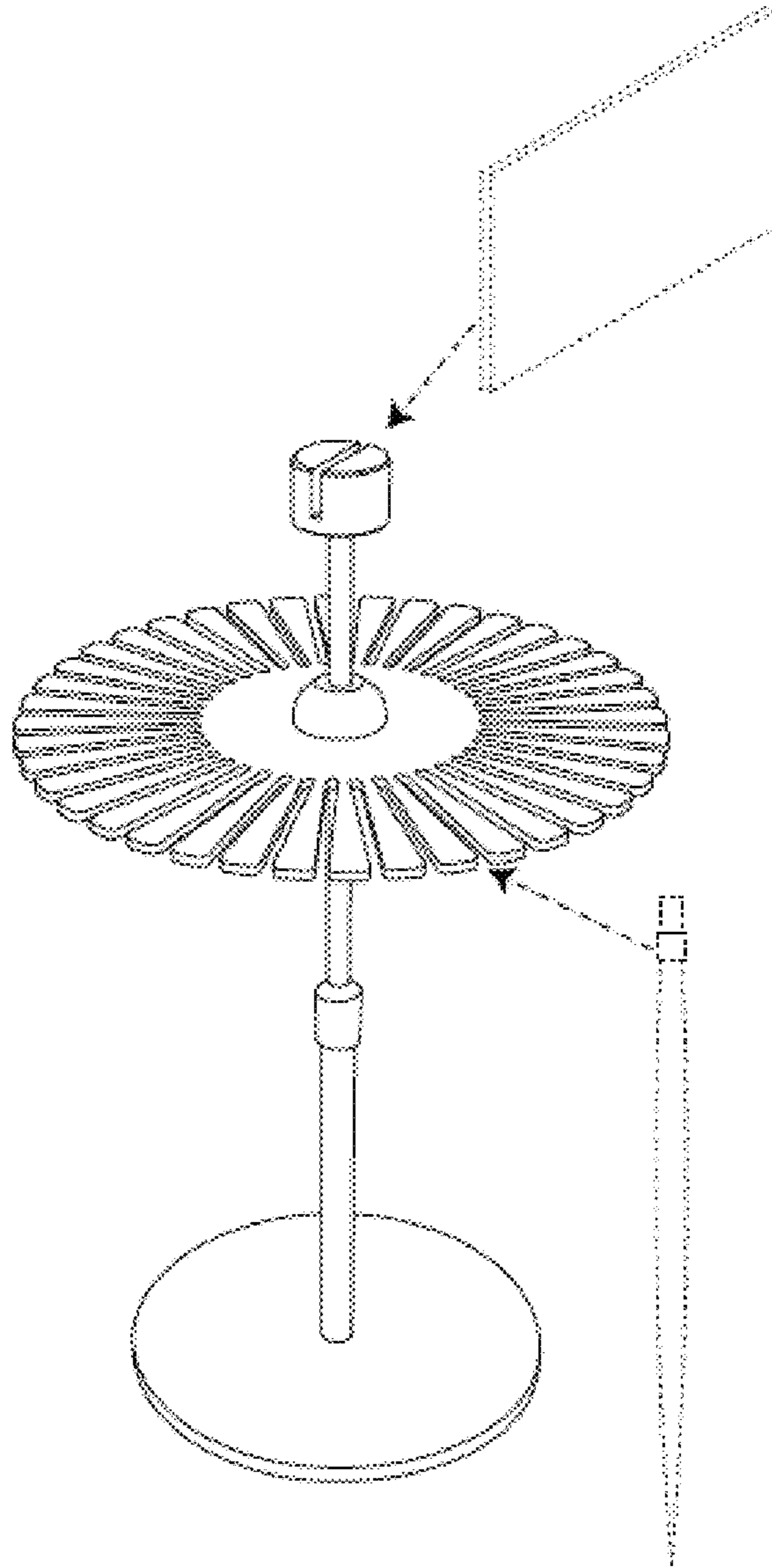


FIG. 2

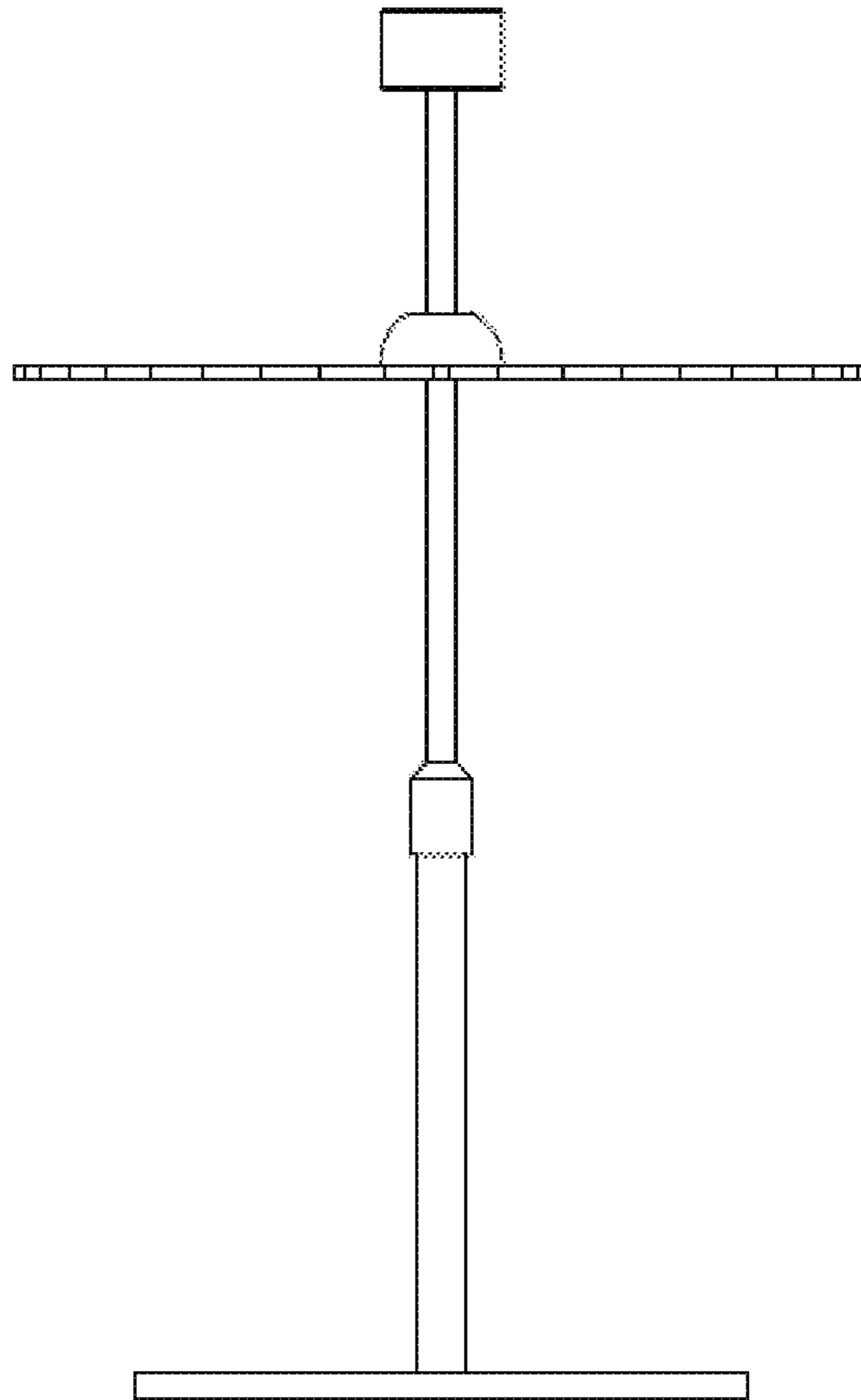


FIG. 3

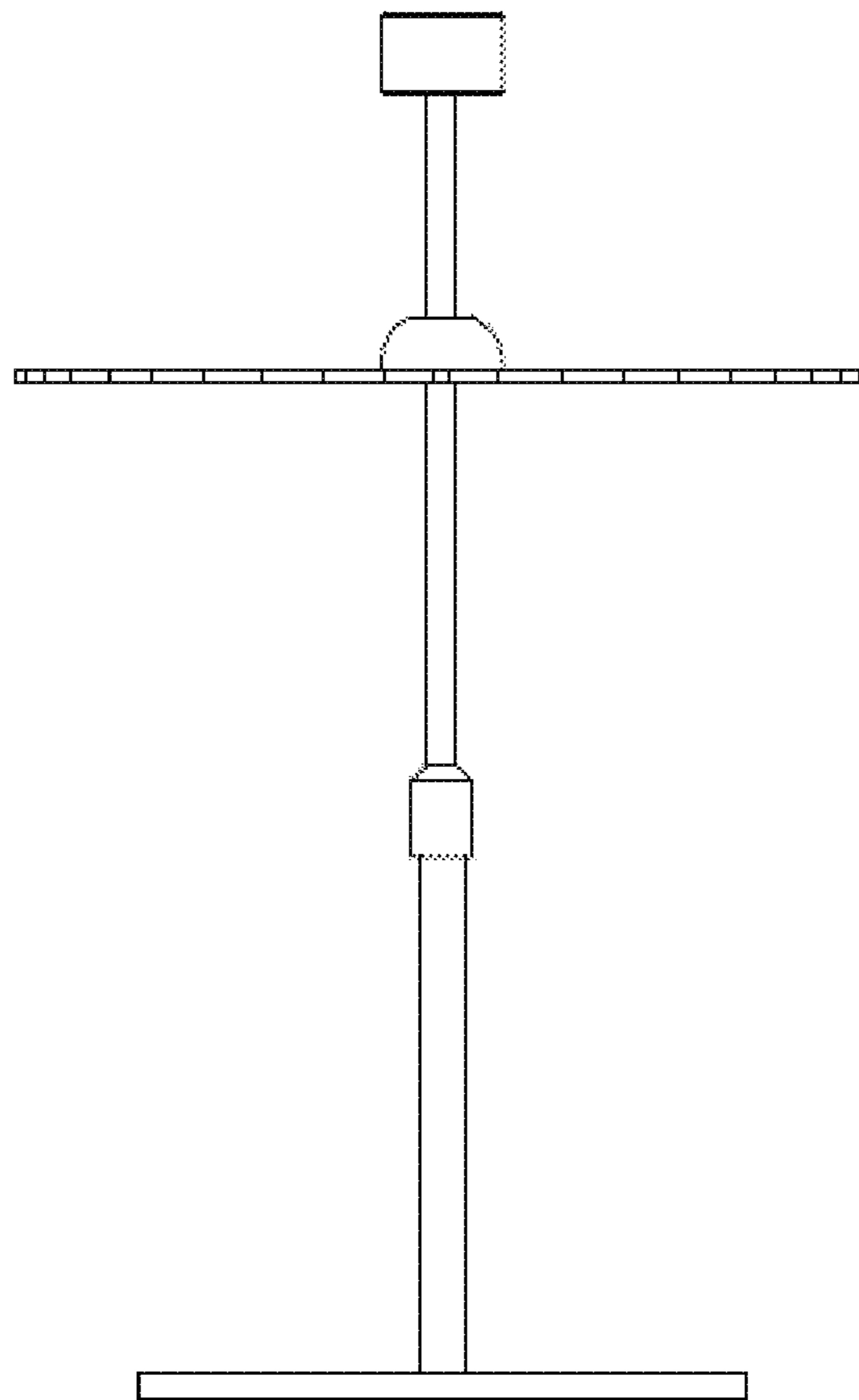


FIG. 4

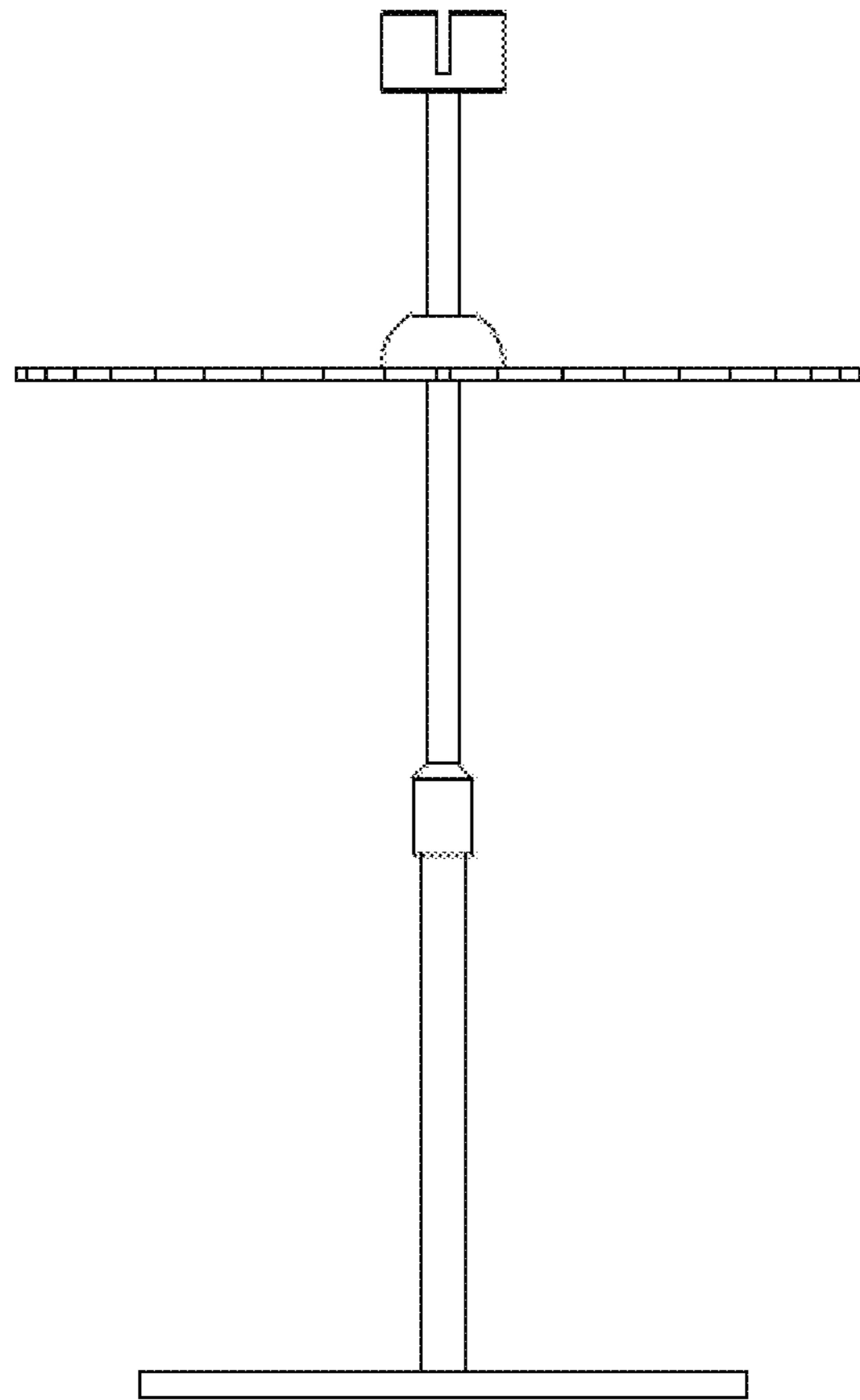


FIG. 5

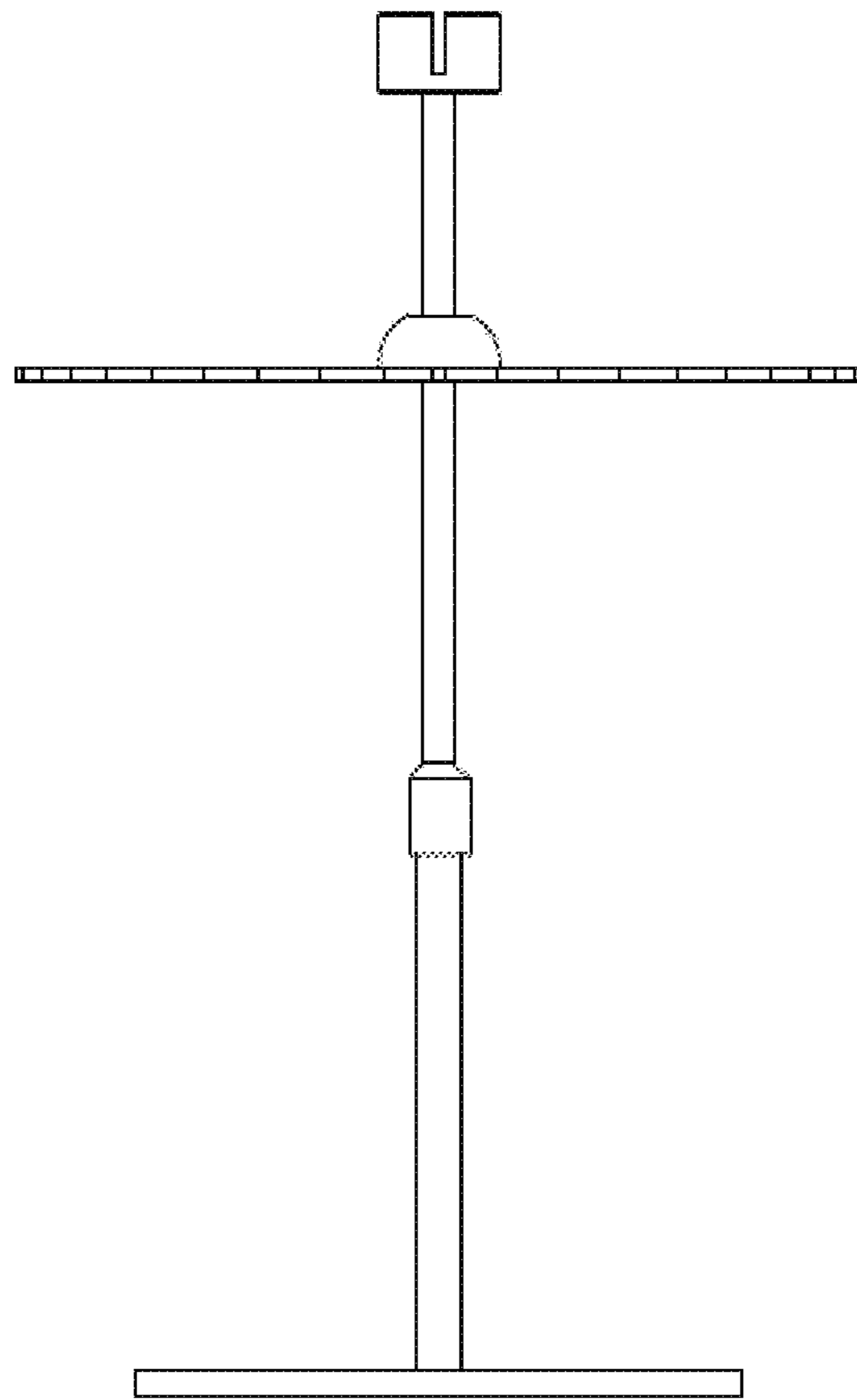


FIG. 6

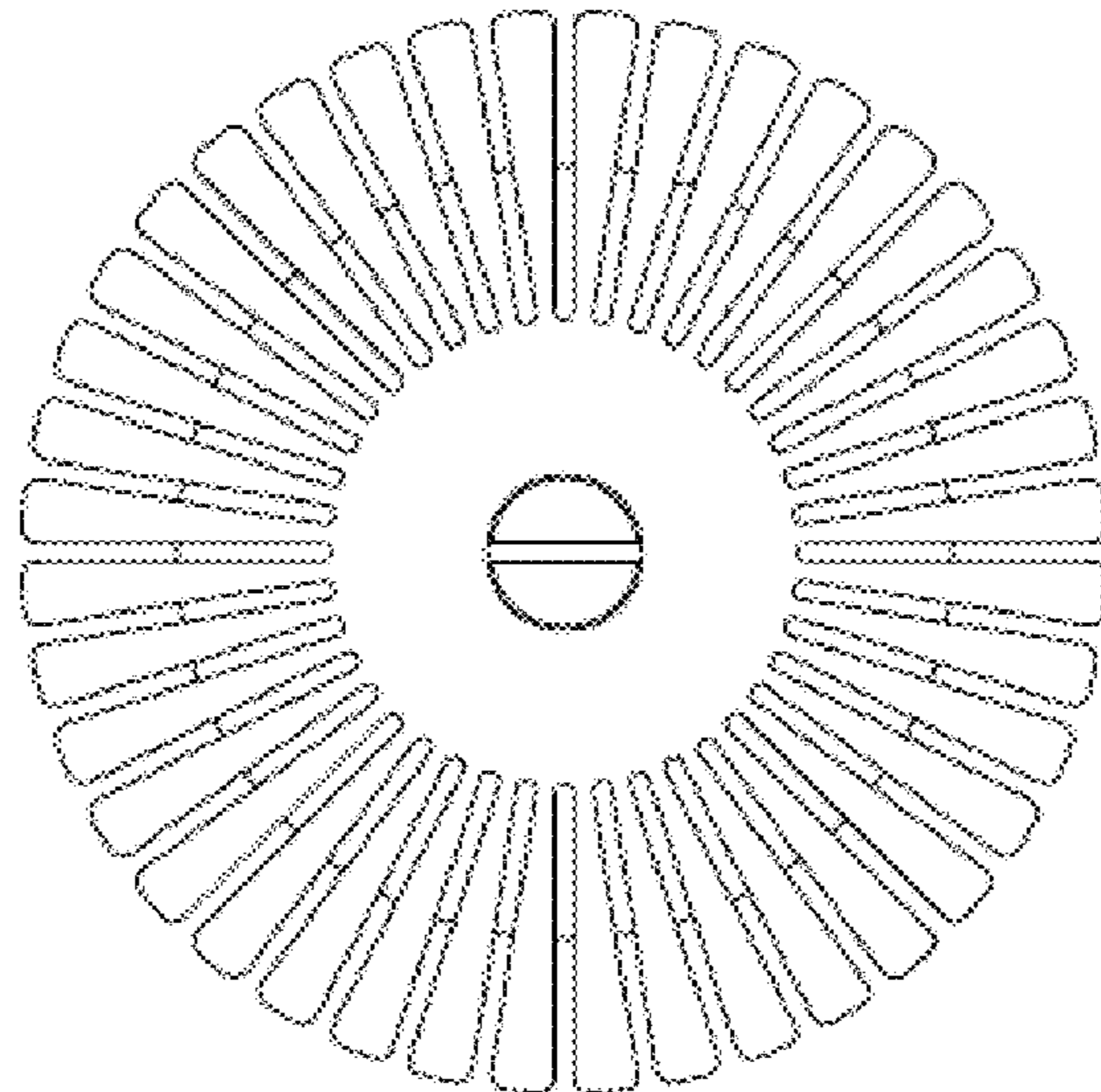


FIG. 7

