



US00D778494S

(12) **United States Design Patent** (10) **Patent No.:** **US D778,494 S**
Scott et al. (45) **Date of Patent:** **** Feb. 7, 2017**

(54) **DISPENSER FOR E-LIQUID**
(71) Applicant: **Nerudia Limited**, Liverpool (GB)
(72) Inventors: **Kenneth Scott**, Manchester (GB); **Tom Sudlow**, Manchester (GB)
(73) Assignee: **Nerudia Limited**, Liverpool (GB)
(**) Term: **15 Years**
(21) Appl. No.: **29/529,661**

D736,458 S * 8/2015 Liu D27/189
D736,459 S * 8/2015 Liu D27/189
D736,460 S * 8/2015 McKeon D27/189
D736,996 S * 8/2015 Liu D27/189
D737,505 S * 8/2015 Liu D27/189
D737,506 S * 8/2015 Liu D27/189
D737,508 S * 8/2015 Liu D27/189
D752,282 S * 3/2016 Doster D27/189
D760,431 S * 6/2016 Liu D27/189
D765,908 S * 9/2016 Zahr D27/187
2005/0224375 A1* 10/2005 Focke B65D 85/1045
206/259
2013/0098786 A1* 4/2013 Collins A23G 3/0231
206/268

(22) Filed: **Jun. 9, 2015**
(51) **LOC (10) Cl.** **27-06**
(52) **U.S. Cl.**
USPC **D27/189**
(58) **Field of Classification Search**
USPC D27/100, 101, 162, 163-167, 169,
170,D27/171, 193, 194, 175, 183, 186,
187, 189; D23/202; D13/103, 118, 119,
184; D19/115-123, 161-169; D3/20
CPC A24F 47/008; A24F 47/002; A24F 15/12;
A24F 47/00; A61M 15/06; B65D 85/1045
See application file for complete search history.

* cited by examiner

Primary Examiner — Robert M Spear
Assistant Examiner — Marissa J Cash
(74) *Attorney, Agent, or Firm* — McDonnell Boehnen
Hulbert & Berghoff LLP

(57) **CLAIM**

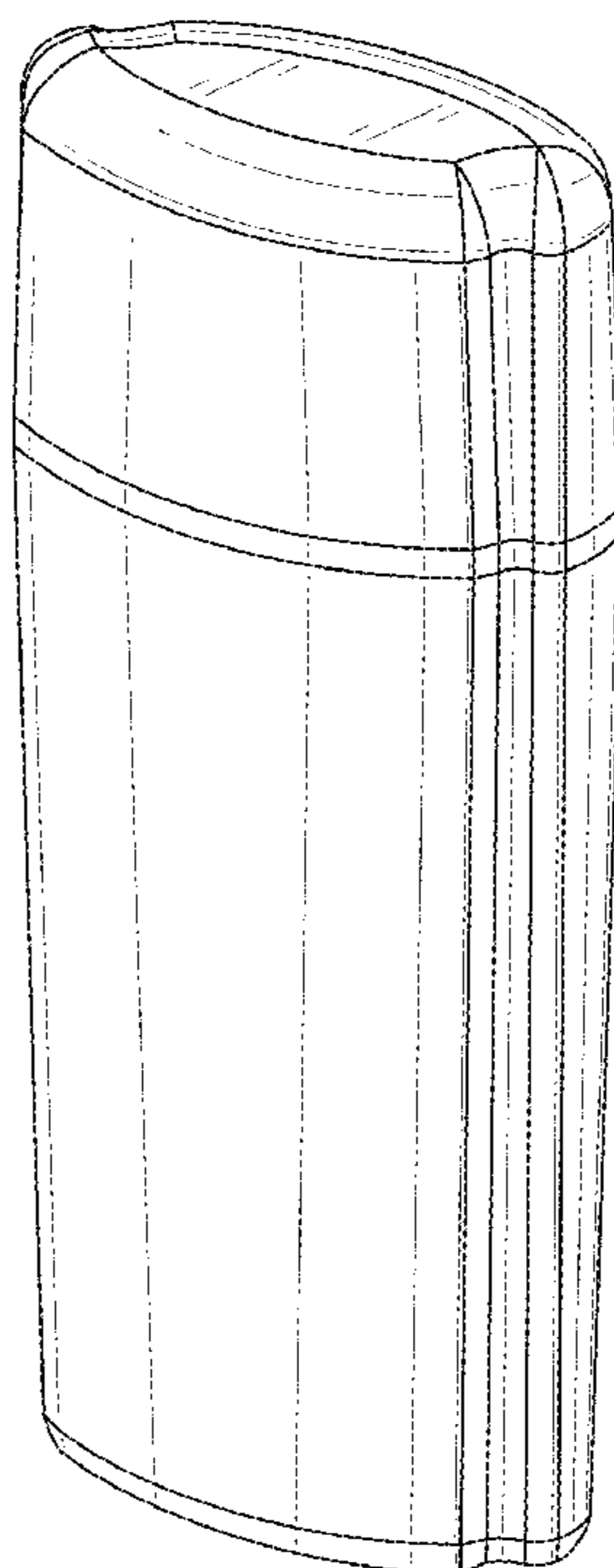
The ornamental design for a dispenser for e-liquid, as shown and described.

DESCRIPTION

FIG. 1 is a perspective view of a dispenser for e-liquid of the present design;
FIG. 2 is a front view thereof;
FIG. 3 is a rear view thereof;
FIG. 4 is a right side view thereof;
FIG. 5 is a left side view thereof;
FIG. 6 is a top side view thereof; and,
FIG. 7 is a bottom side view thereof.

1 Claim, 5 Drawing Sheets

(56) **References Cited**
U.S. PATENT DOCUMENTS
D392,069 S * 3/1998 Rowland D27/183
D596,348 S * 7/2009 Buse D27/189
D602,631 S * 10/2009 Steinkamp D27/189
D693,055 S * 11/2013 Manca D27/189
D700,397 S * 2/2014 Manca D27/189
D736,456 S * 8/2015 Liu D27/189
D736,457 S * 8/2015 Liu D27/189



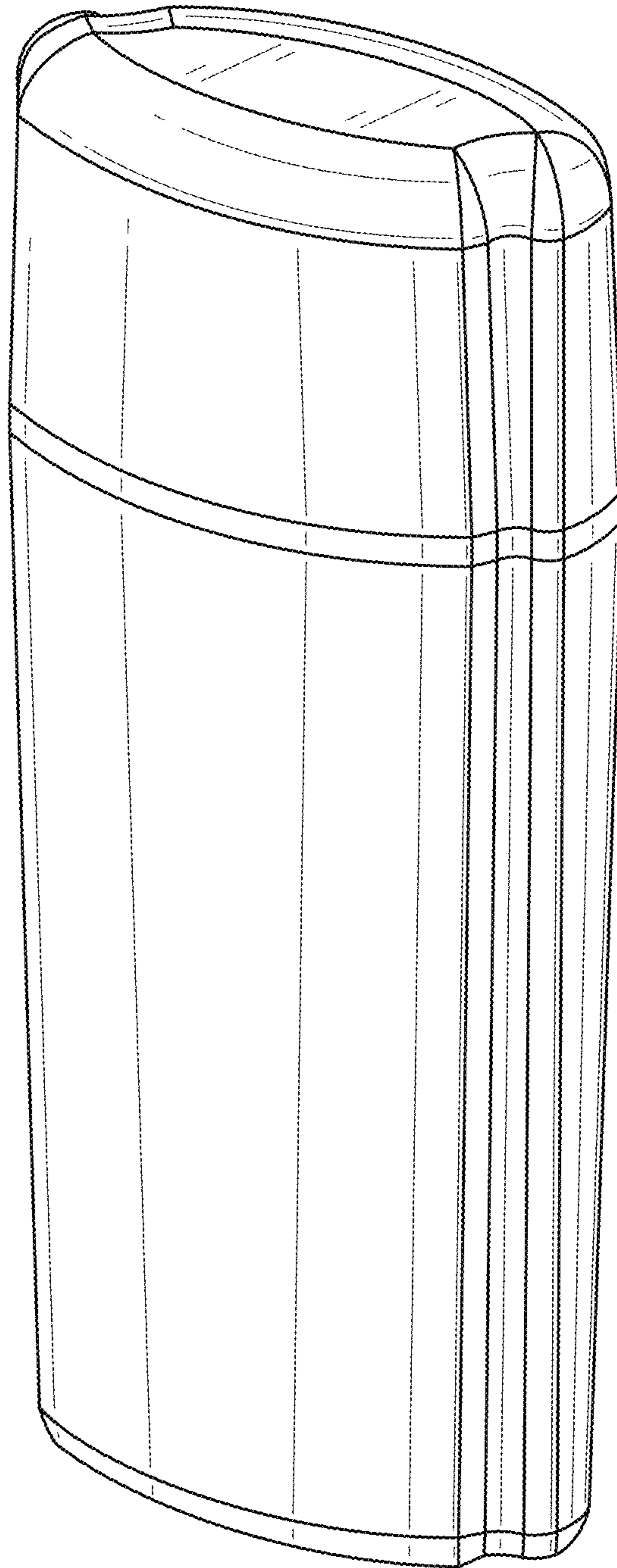


FIG. 1

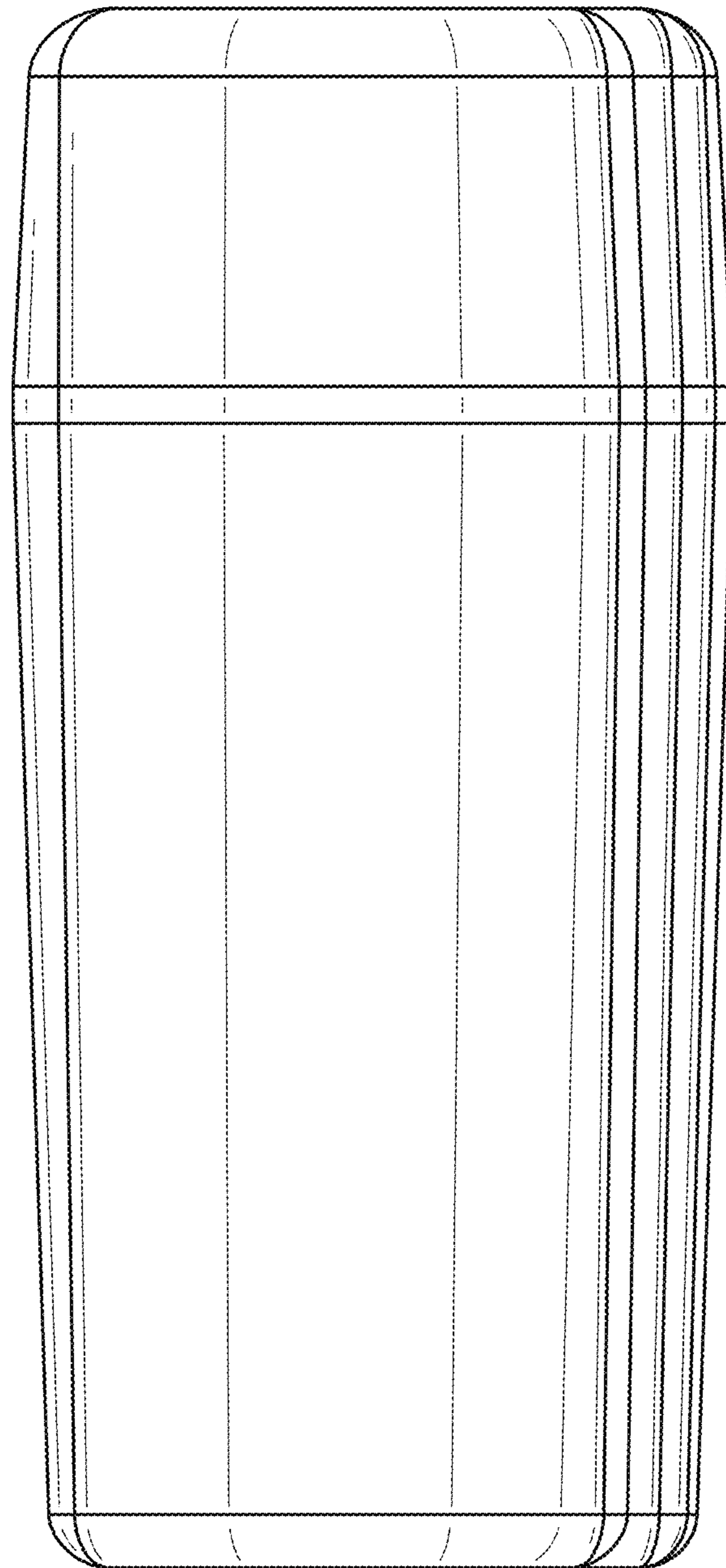


FIG. 2

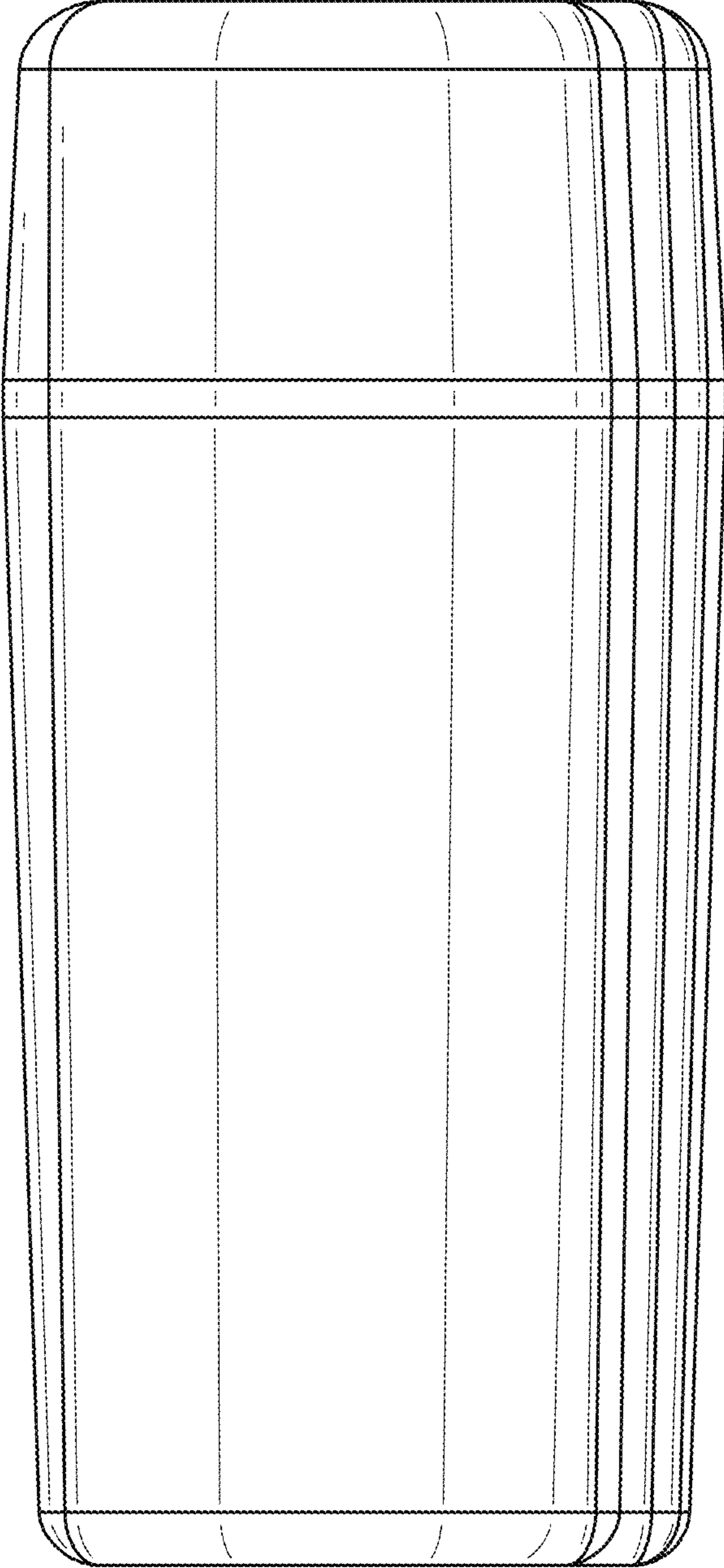


FIG. 3

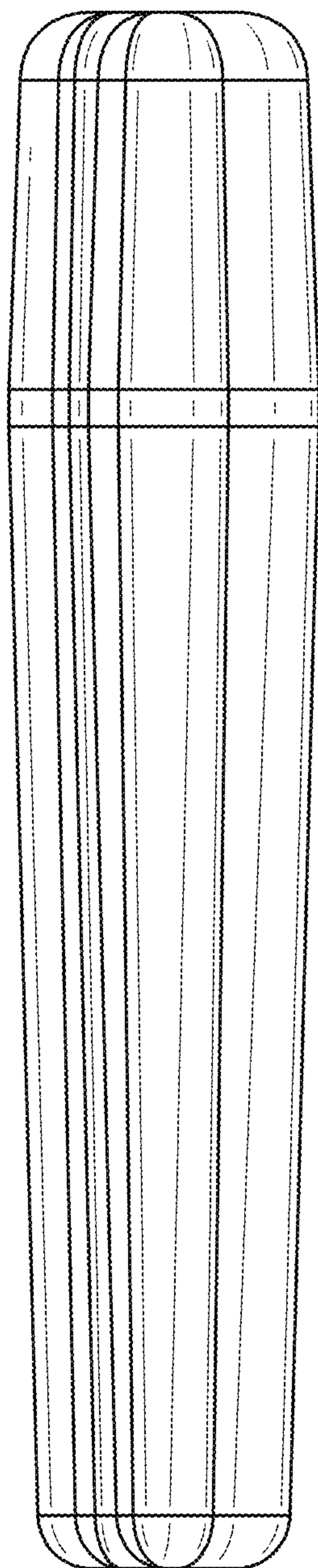


FIG. 4

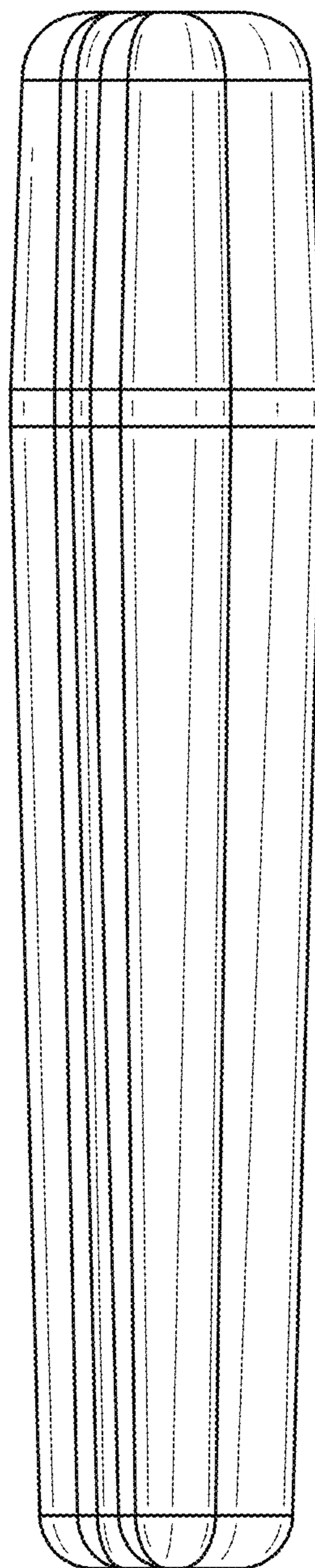


FIG. 5

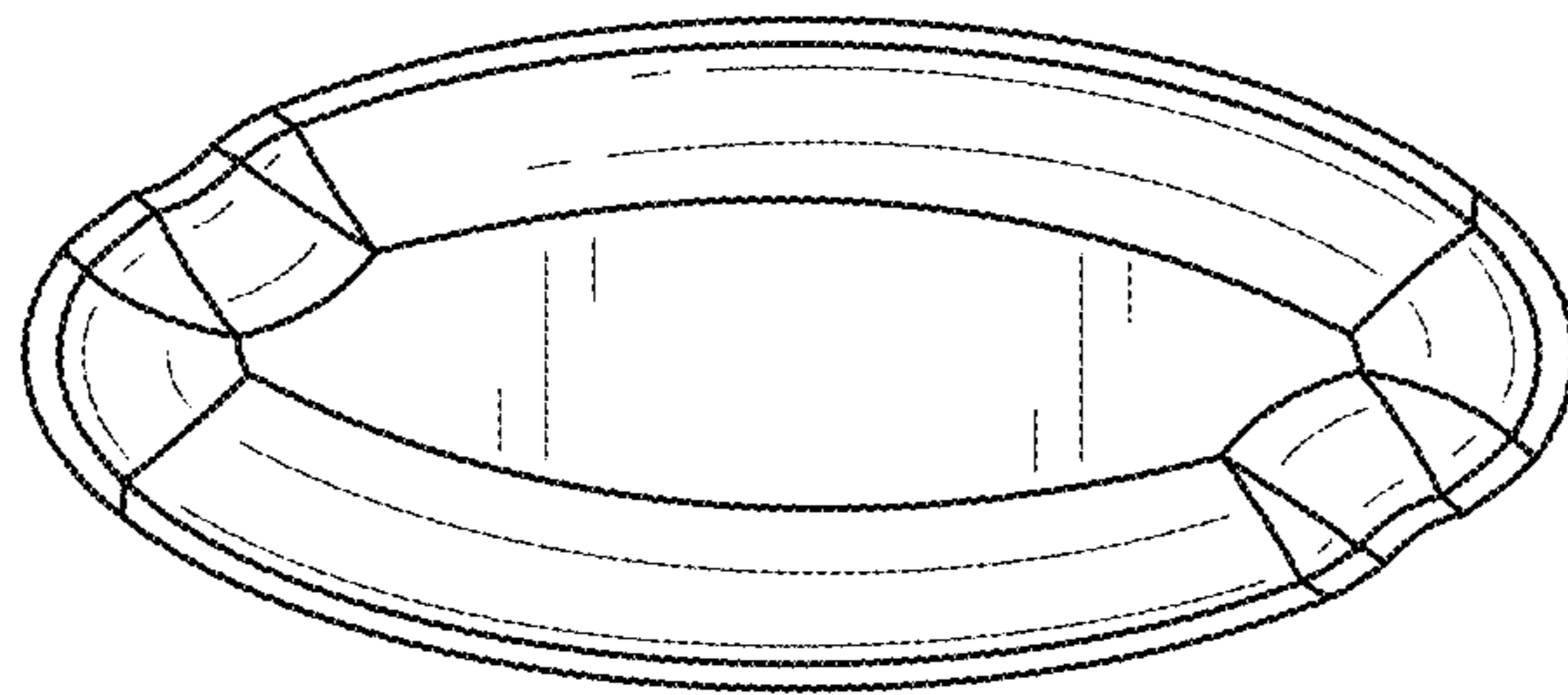


FIG. 6

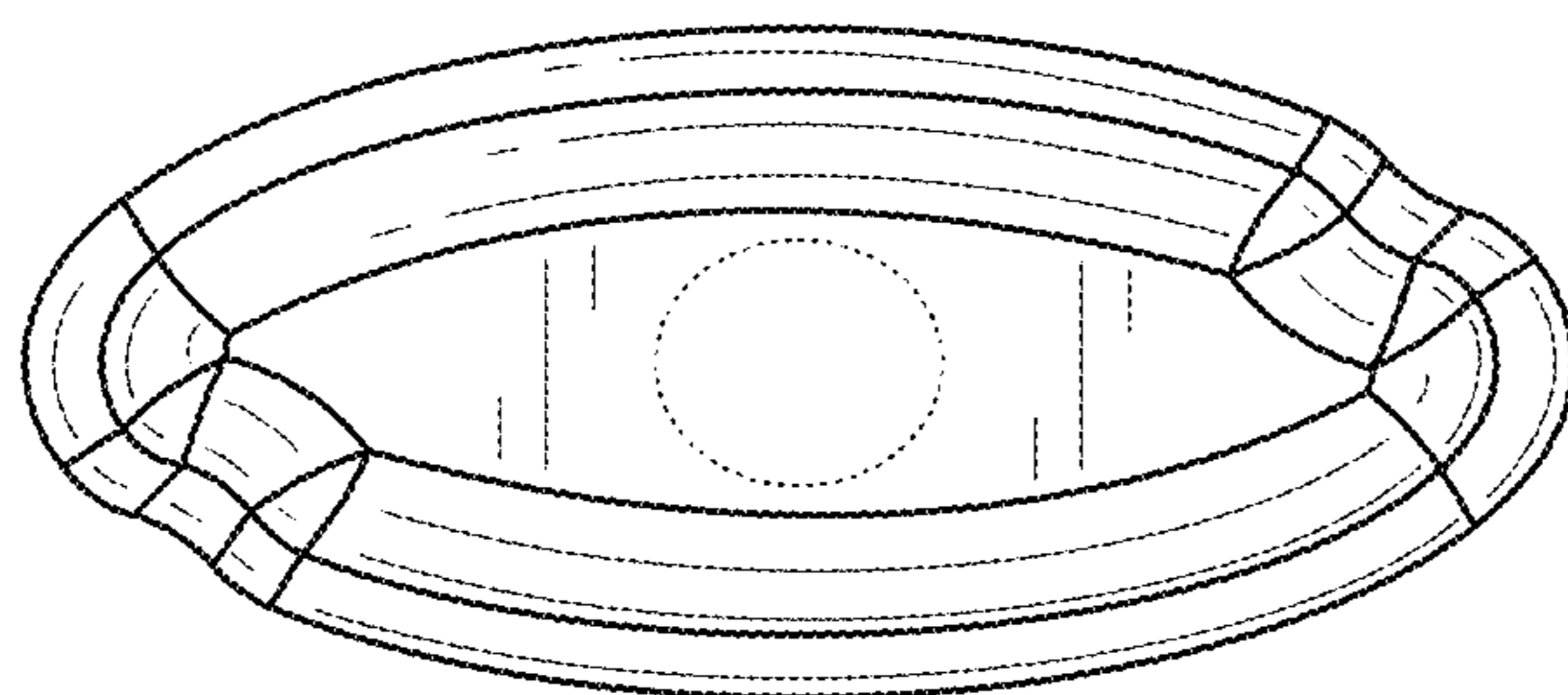


FIG. 7