



US00D778491S

(12) **United States Design Patent** (10) **Patent No.:** **US D778,491 S**
Ito et al. (45) **Date of Patent:** **** Feb. 7, 2017**

(54) **HEADLIGHT BEZEL OF A TRUCK VEHICLE**

(71) Applicant: **International Truck Intellectual Property Company, LLC**, Lisle, IL (US)

(72) Inventors: **Chris Ito**, Suger Grove, IL (US); **Glen Joel Durmisevich**, Rochester Hills, MI (US); **David James Olsen**, Aurora, IL (US)

(73) Assignee: **International Truck Intellectual Property Company, LLC**, Lisle, IL (US)

(**) Term: **15 Years**

(21) Appl. No.: **29/544,061**

(22) Filed: **Oct. 30, 2015**

(51) **LOC (10) Cl.** **26-99**

(52) **U.S. Cl.**
USPC **D26/139**

(58) **Field of Classification Search**
USPC D26/28-36, 139; 362/80-83, 267-269, 362/459-468, 475-478, 485-487
CPC F21S 48/00; B62J 6/00; B62J 17/202; B60Q 1/26
See application file for complete search history.

(56) **References Cited**

U.S. PATENT DOCUMENTS

D421,817 S *	3/2000	Tucker	D26/139
D527,123 S	8/2006	Beigel et al.		
D527,138 S *	8/2006	Golden	D26/139

D539,947 S	4/2007	Lee et al.		
D592,324 S	5/2009	Beigel et al.		
D604,893 S *	11/2009	Woolley	D26/139
D640,826 S *	6/2011	Beigel	D26/139
D660,507 S *	5/2012	Davidson	D26/139
D683,895 S *	6/2013	Platto	D26/139
D696,443 S	12/2013	Ito et al.		

* cited by examiner

Primary Examiner — Marcus Jackson

(74) *Attorney, Agent, or Firm* — Jeffrey P. Calfa; Mark C. Bach

(57) **CLAIM**

The ornamental design for a headlight bezel of a truck vehicle, as shown and described.

DESCRIPTION

FIG. 1 is an isometric view of the headlight bezel of a truck vehicle showing my/our new design;
FIG. 2 is a top plan view thereof
FIG. 3 is a left side view thereof;
FIG. 4 is a right side view thereof;
FIG. 5 is a front view thereof; and,
FIG. 6 is a back view thereof.

1 Claim, 3 Drawing Sheets

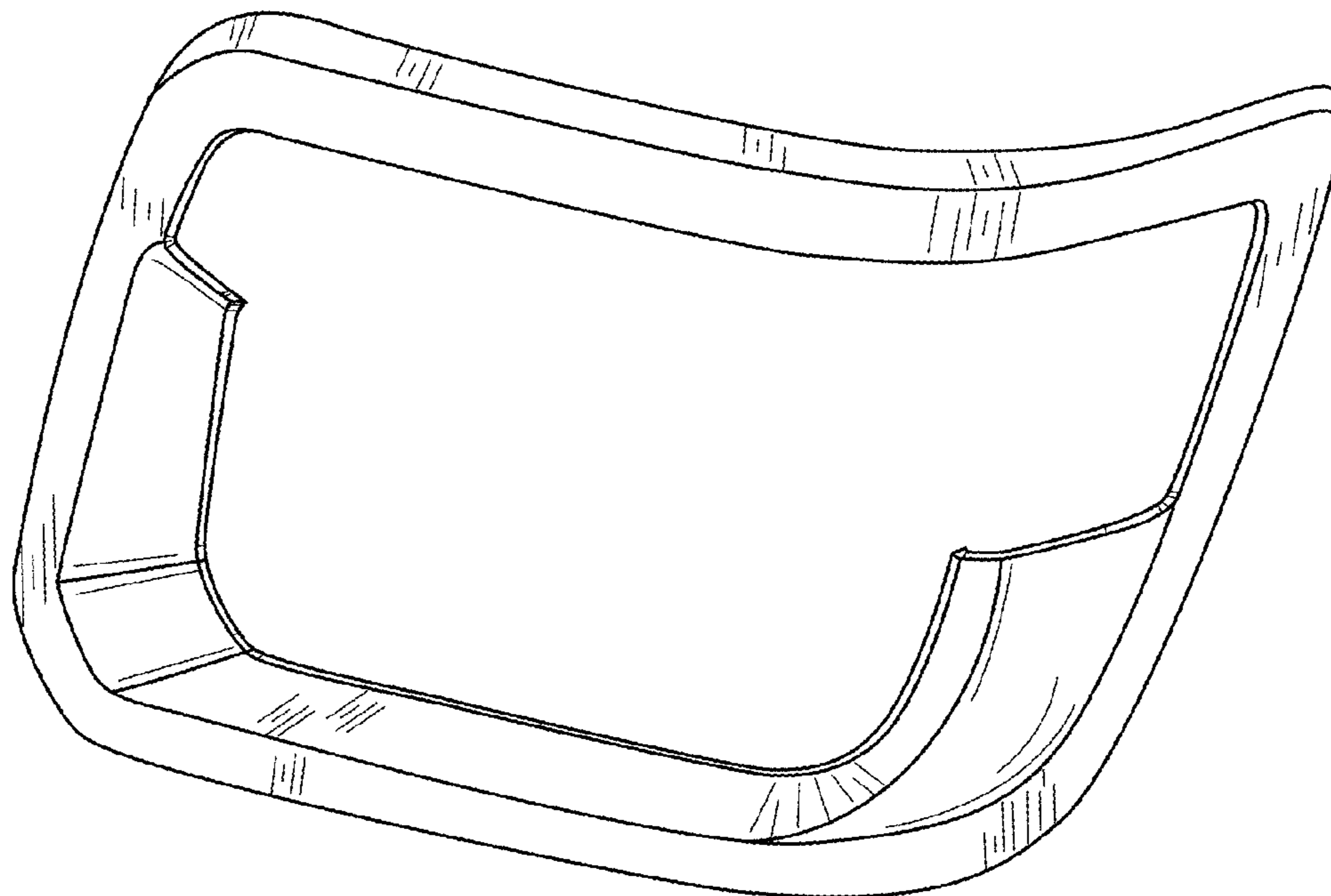


FIG. 1

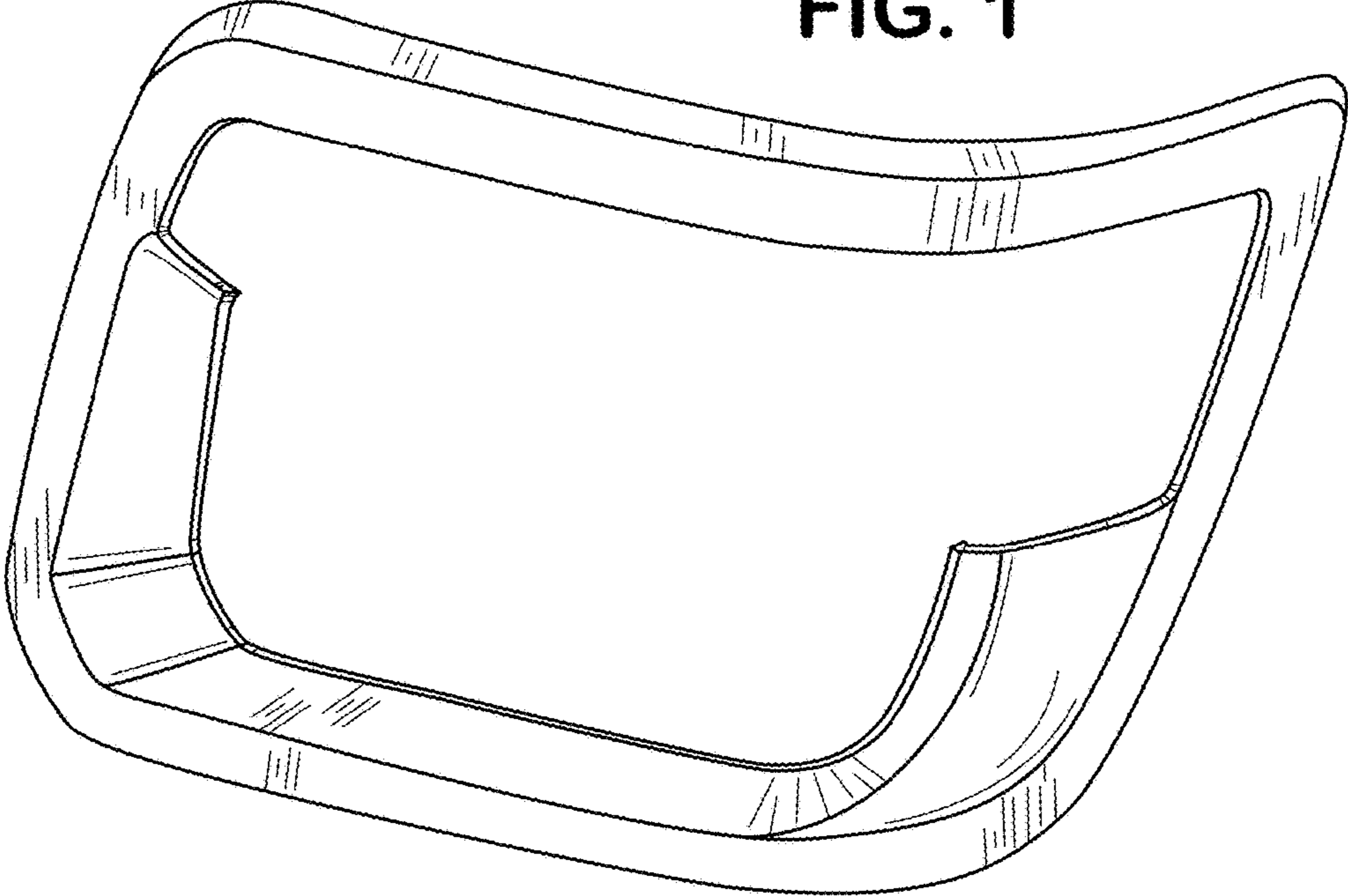


FIG. 2

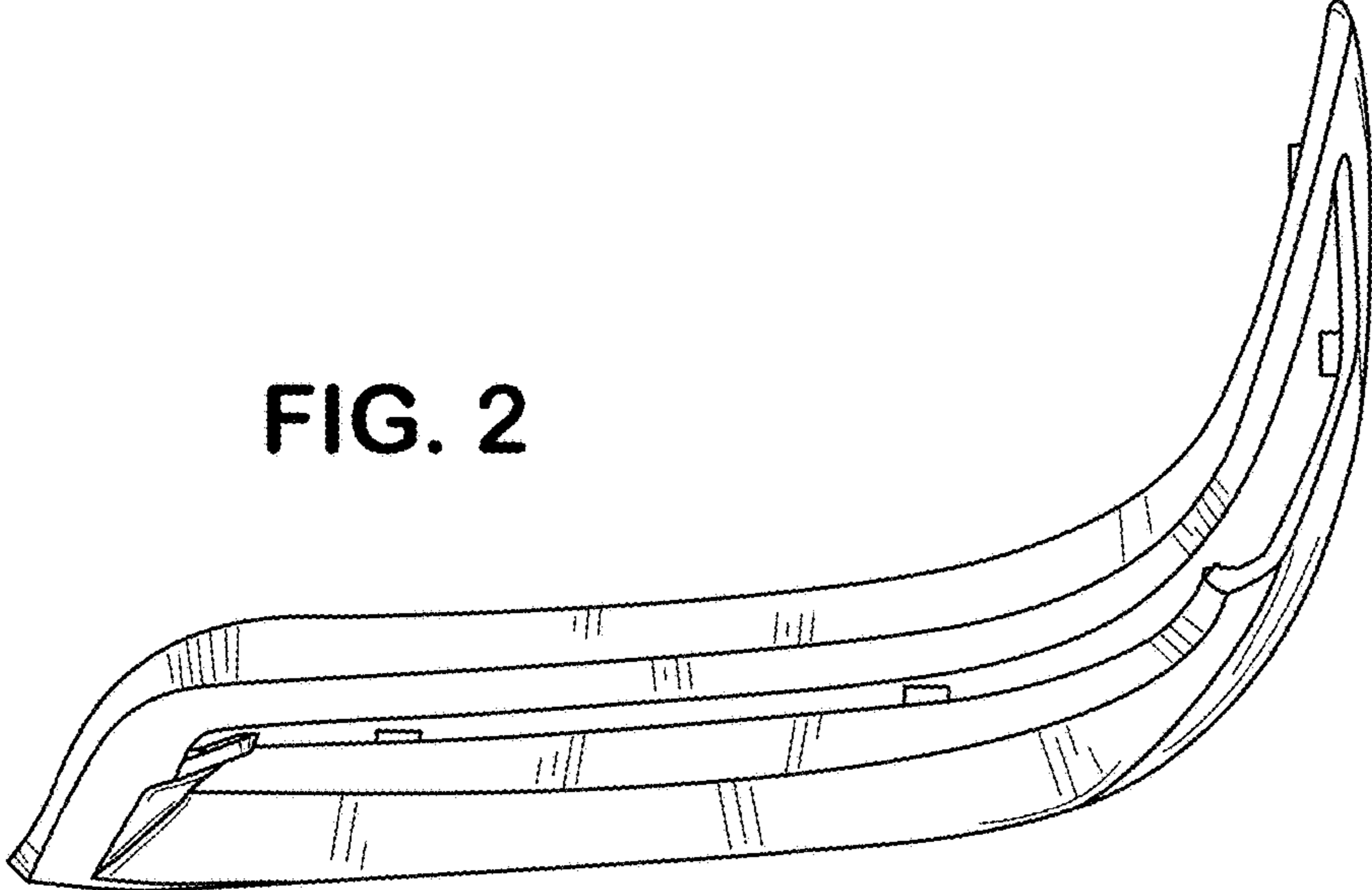


FIG. 3

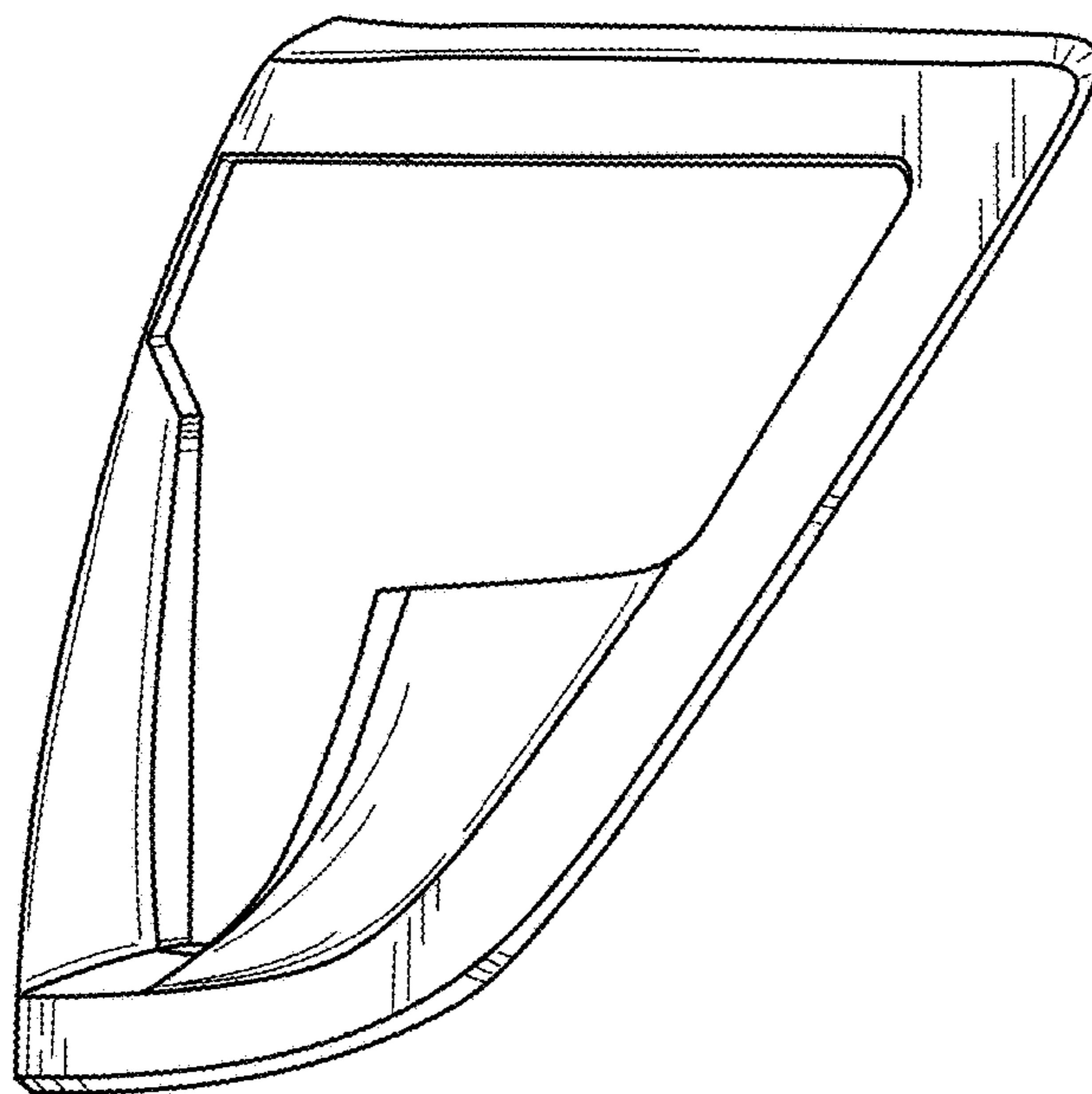


FIG. 4

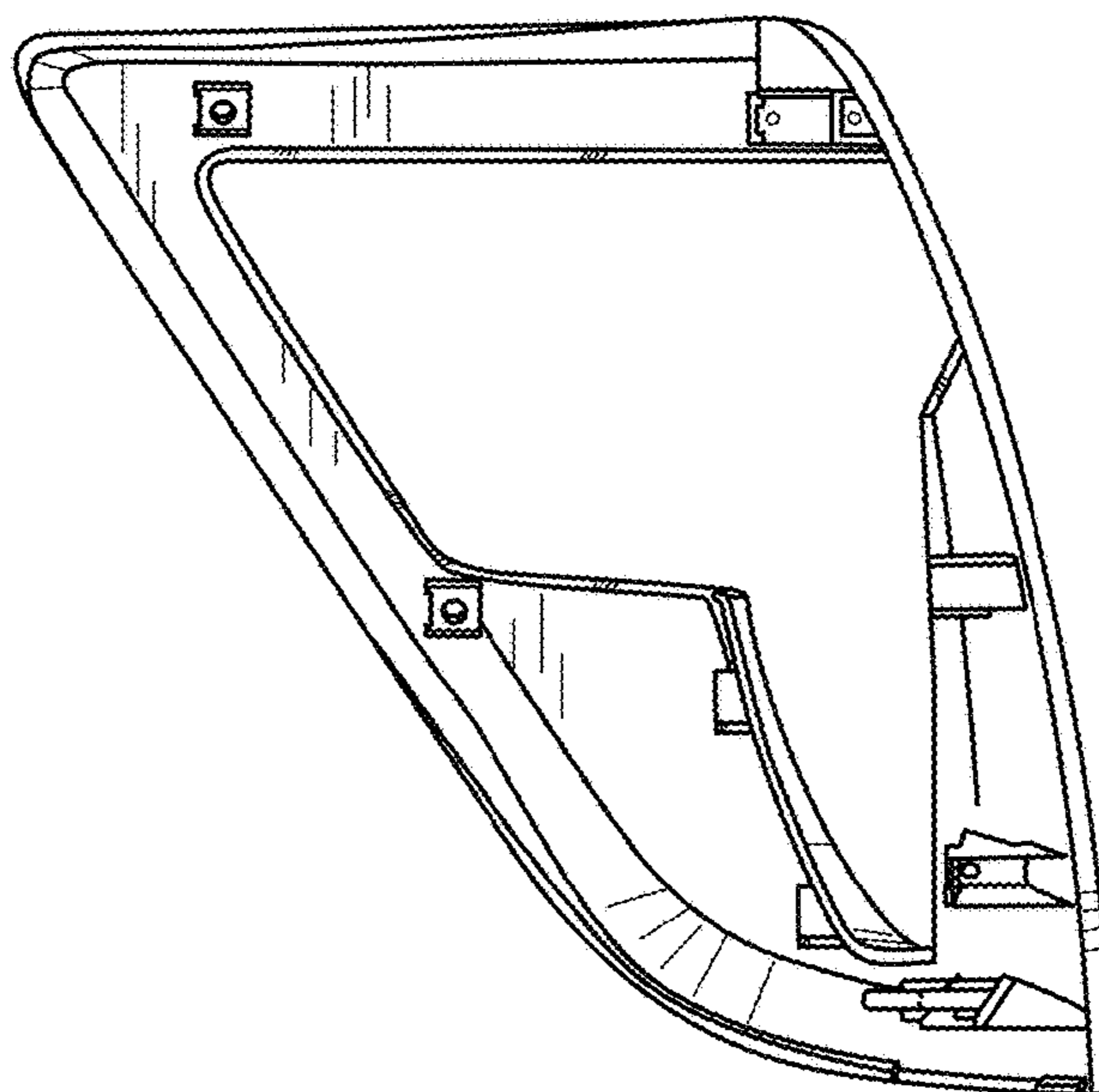


FIG. 5

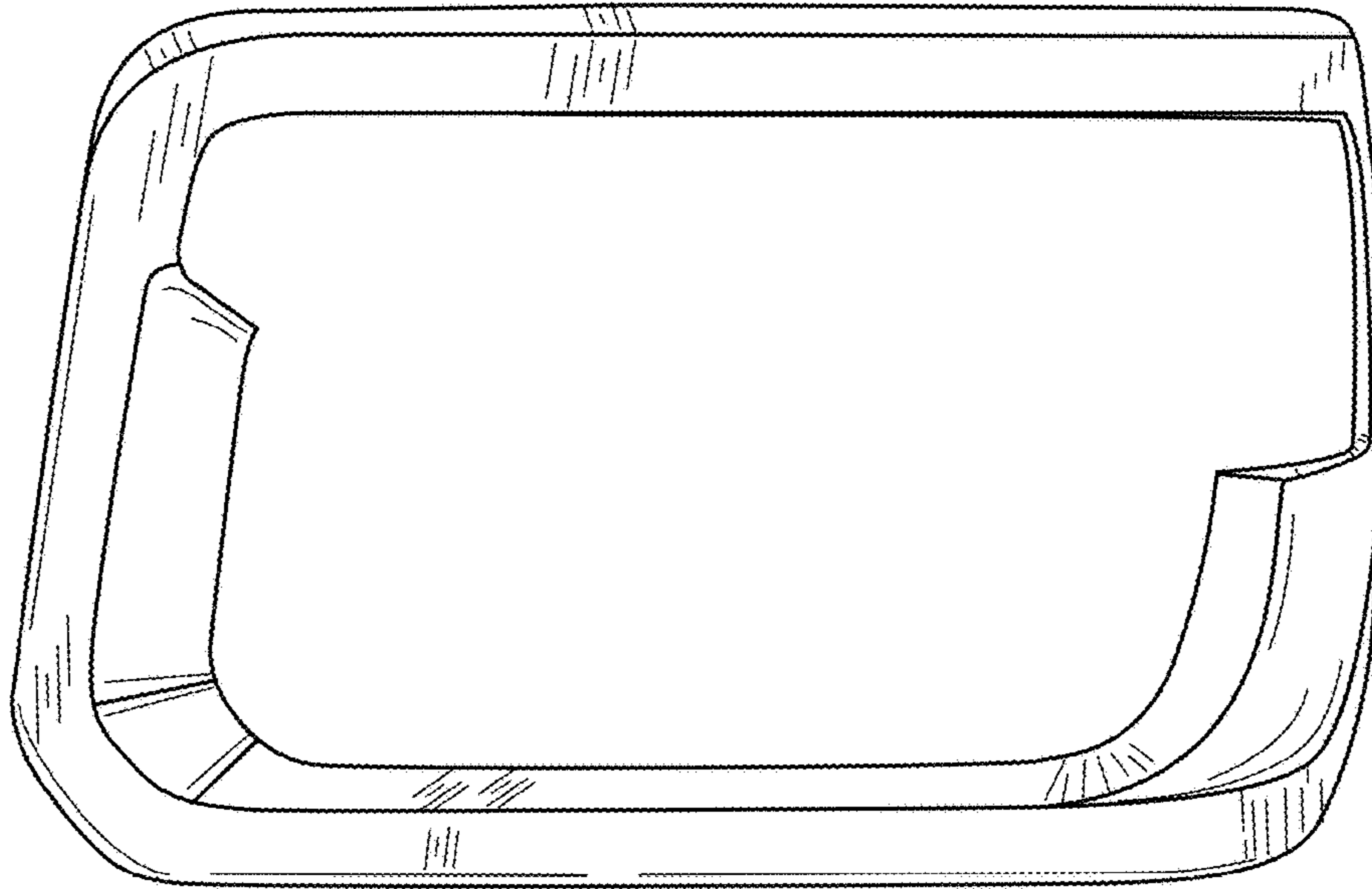


FIG. 6

