



US00D778490S

(12) **United States Design Patent**  
**Ito et al.**

(10) **Patent No.:** **US D778,490 S**

(45) **Date of Patent:** **\*\* Feb. 7, 2017**

(54) **HEADLIGHT BEZEL OF A TRUCK VEHICLE**

(71) Applicant: **International Truck Intellectual Property Company, LLC**, Lisle, IL (US)

(72) Inventors: **Chris Ito**, Suger Grove, IL (US); **Glen Joel Durmisevich**, Rochester Hills, MI (US); **David James Olsen**, Aurora, IL (US)

(73) Assignee: **International Truck Intellectual Property Company, LLC**, Lisle, IL (US)

(\*\*) Term: **15 Years**

(21) Appl. No.: **29/544,057**

(22) Filed: **Oct. 30, 2015**

(51) **LOC (10) Cl.** ..... **26-99**

(52) **U.S. Cl.**  
USPC ..... **D26/139**

(58) **Field of Classification Search**  
USPC ..... D26/28-36, 139; 362/80-83, 267-269, 362/459-468, 475-478  
CPC ..... F21S 48/00; B62J 6/00; B62J 17/202; B60Q 1/26  
See application file for complete search history.

(56) **References Cited**

**U.S. PATENT DOCUMENTS**

D421,817 S \* 3/2000 Tucker ..... D26/139  
D527,123 S 8/2006 Beigel et al.  
D527,138 S \* 8/2006 Golden ..... D26/139

D539,947 S 4/2007 Lee et al.  
D592,324 S 5/2009 Beigel et al.  
D604,893 S \* 11/2009 Woolley ..... D26/139  
D640,826 S \* 6/2011 Beigel ..... D26/139  
D660,507 S \* 5/2012 Davidson ..... D26/139  
D683,895 S \* 6/2013 Platto ..... D26/139  
D696,443 S 12/2013 Ito et al.

\* cited by examiner

*Primary Examiner* — Marcus Jackson

(74) *Attorney, Agent, or Firm* — Jeffrey P. Calfa; Mark C. Bach

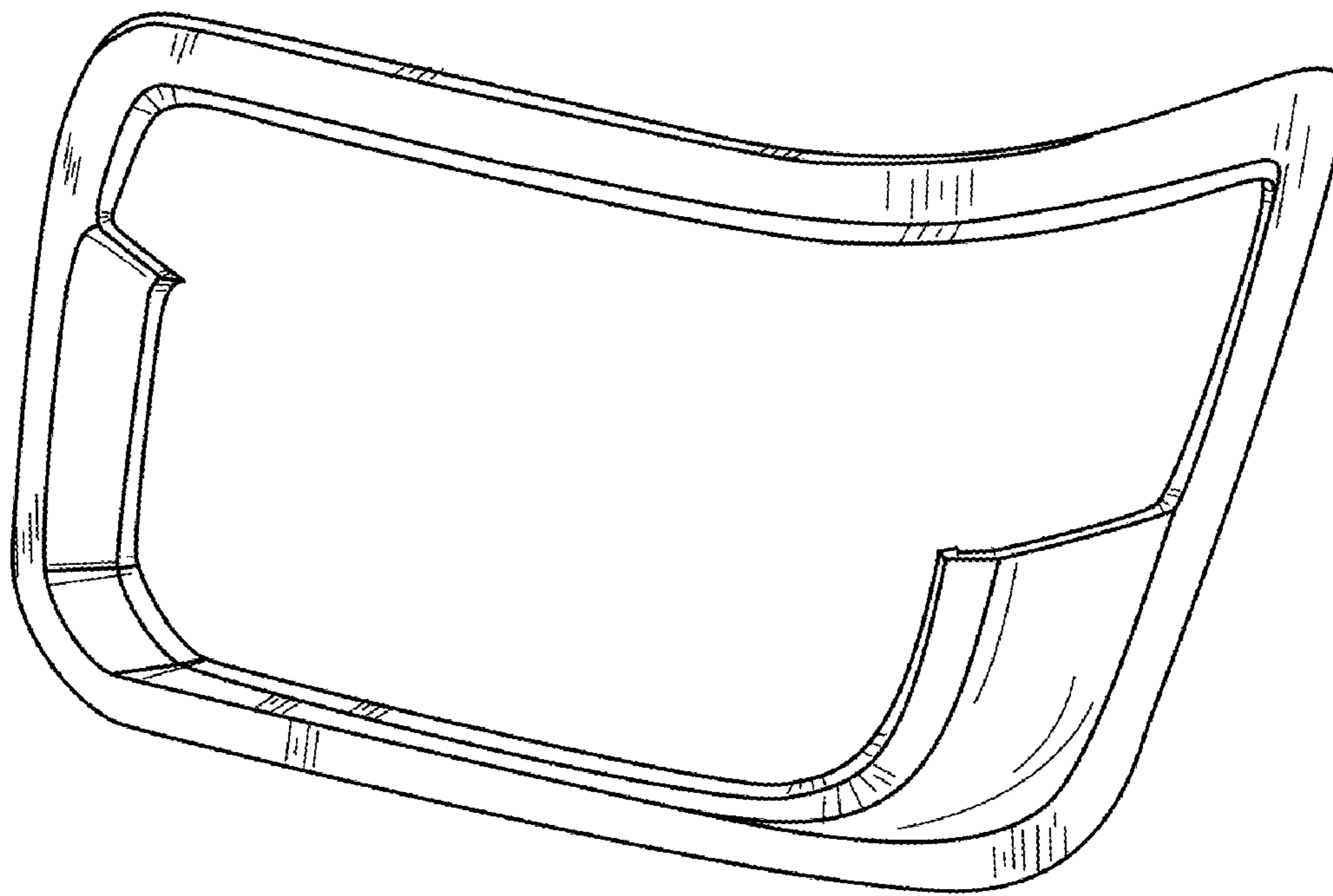
(57) **CLAIM**

The ornamental design for a headlight bezel of a truck vehicle, as shown and described.

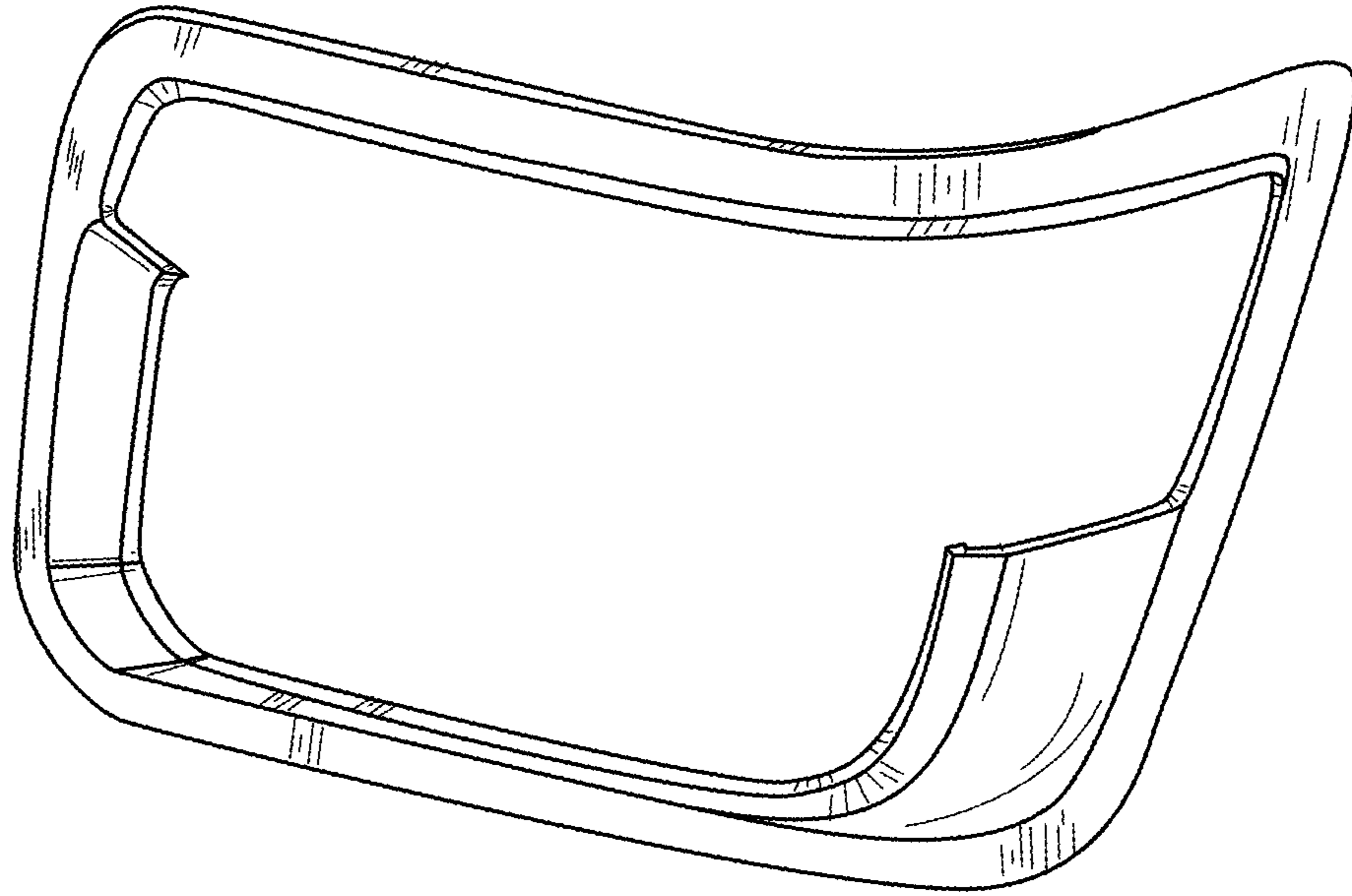
**DESCRIPTION**

FIG. 1 is an isometric view of the headlight bezel of a truck vehicle showing my/our new design;  
FIG. 2 is a top plan view thereof;  
FIG. 3 is a left side view thereof;  
FIG. 4 is a right side view thereof;  
FIG. 5 is a front view thereof; and,  
FIG. 6 is a back view thereof.

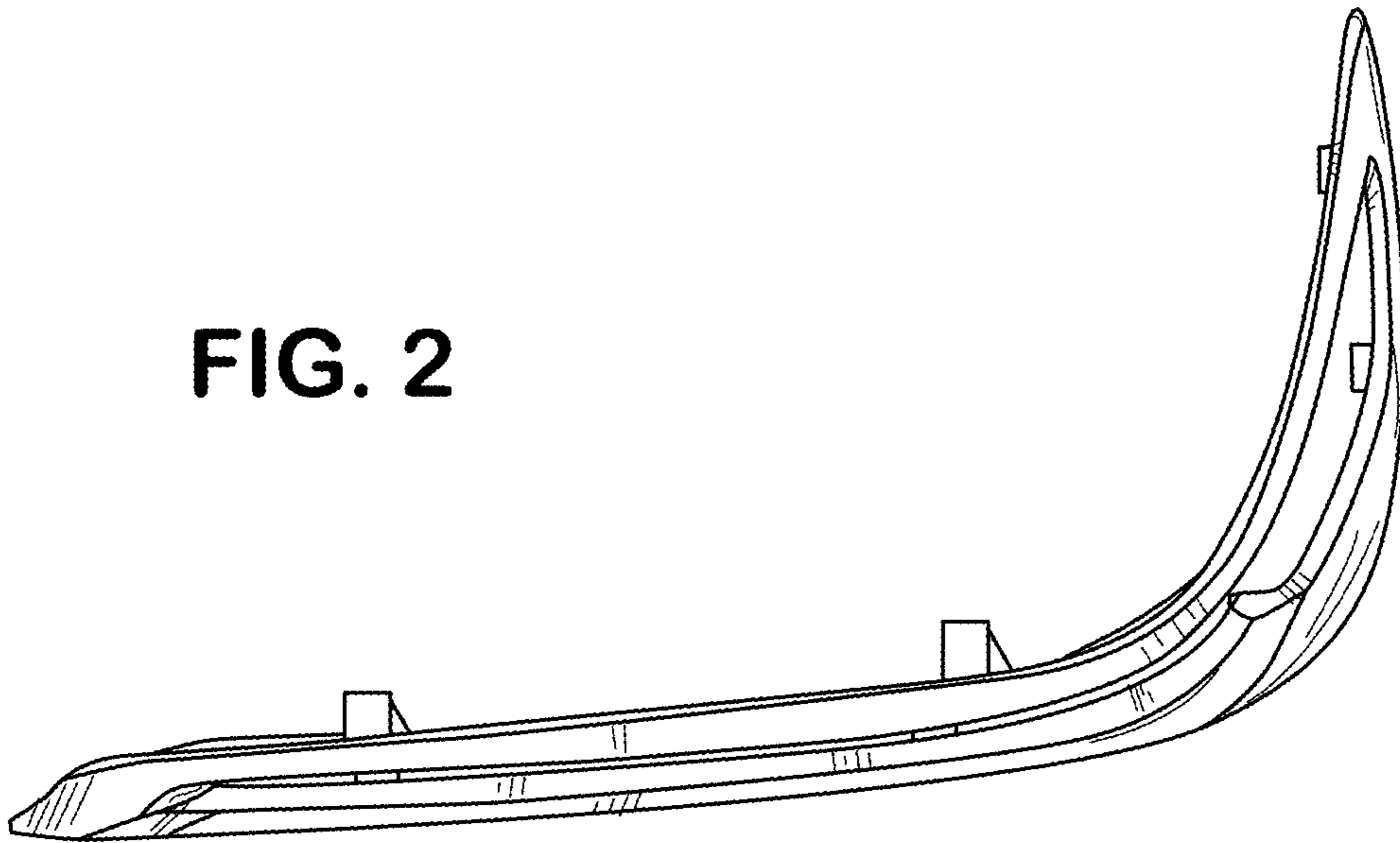
**1 Claim, 3 Drawing Sheets**

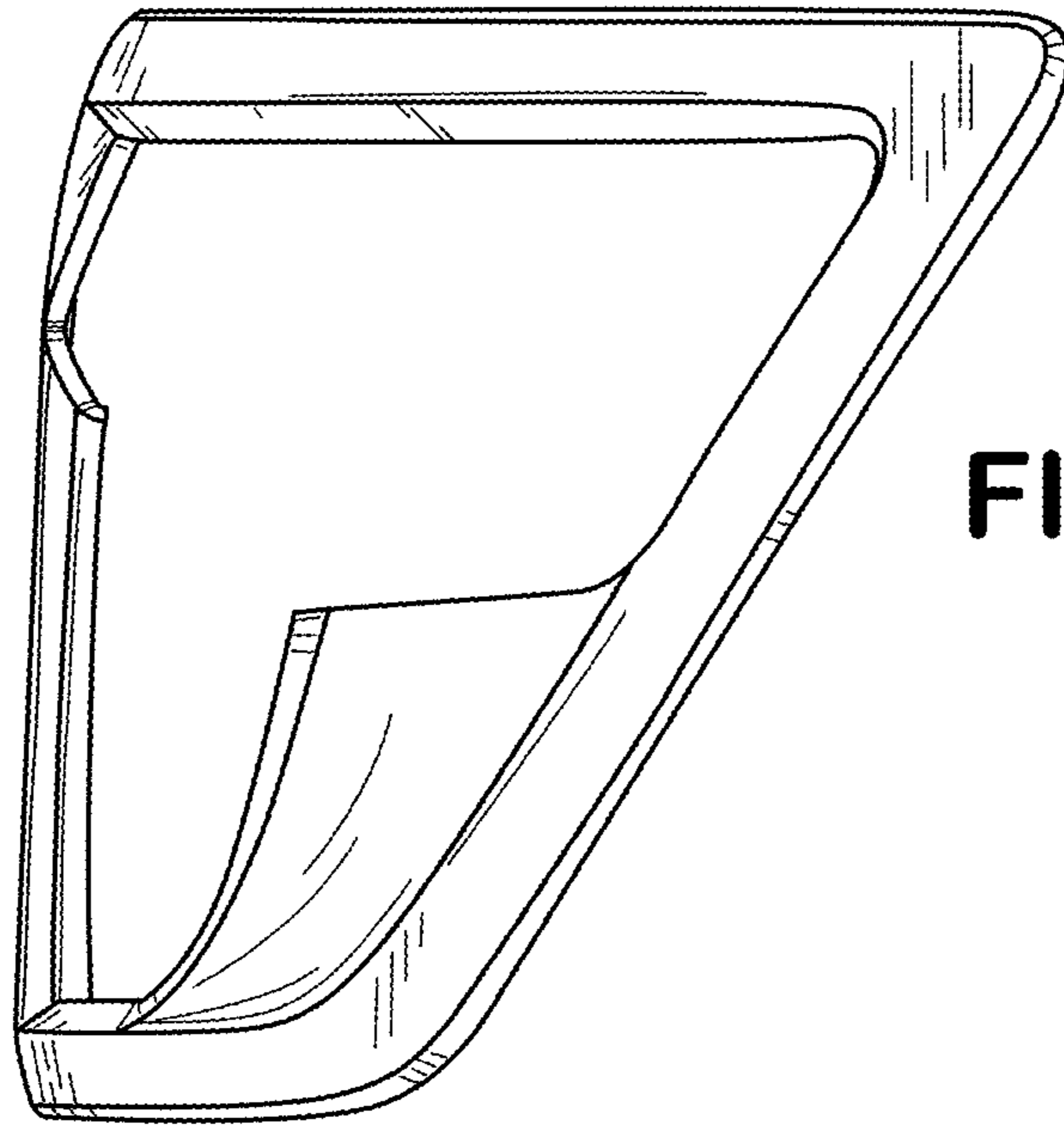


**FIG. 1**

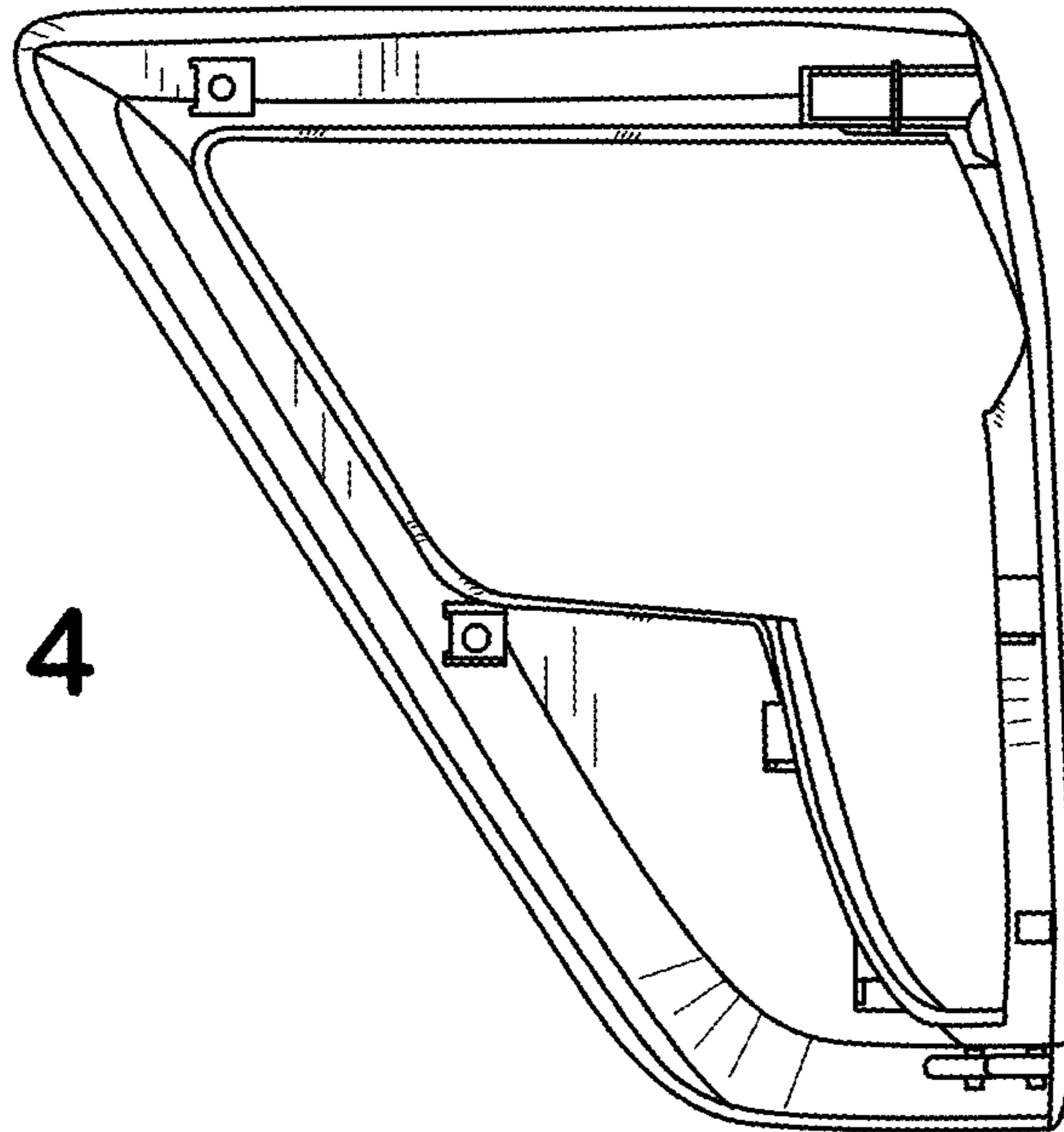


**FIG. 2**



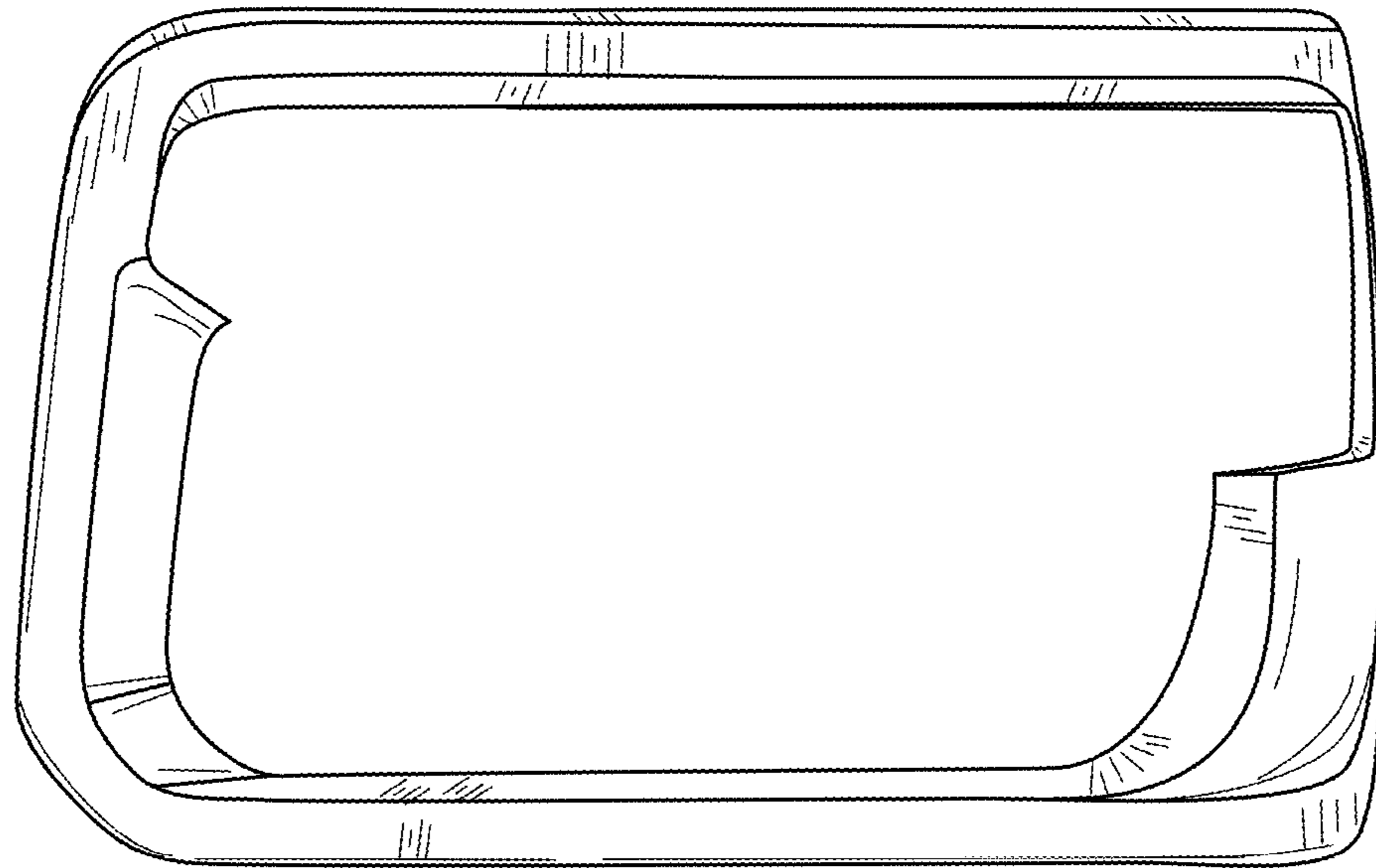


**FIG. 3**



**FIG. 4**

**FIG. 5**



**FIG. 6**

