



US00D778489S

(12) **United States Design Patent** (10) **Patent No.:** **US D778,489 S**
Wheel (45) **Date of Patent:** **** Feb. 7, 2017**

(54) **VEHICLE COMPONENT**

(71) Applicant: **Jaguar Land Rover Limited**, Coventry (GB)

(72) Inventor: **Andrew Wheel**, Coventry (GB)

(73) Assignee: **Jaguar Land Rover Limited** (GB)

(**) Term: **14 Years**

(21) Appl. No.: **29/515,387**

(22) Filed: **Jan. 22, 2015**

(30) **Foreign Application Priority Data**

Jul. 22, 2014 (EM) 002507228

Jul. 22, 2014 (EM) 002507293

Jul. 22, 2014 (EM) 002508853

(51) **LOC (10) Cl.** **26-99**

(52) **U.S. Cl.**
USPC **D26/139**

(58) **Field of Classification Search**
USPC D26/28-36, 139; 362/61, 80-83,
362/459-468, 475-478, 485-487
CPC F21S 48/00; F21S 48/10; F21S 48/115;
F21S 48/225; F21S 48/1233; F21S
48/1266; F21S 48/1388; F21S 48/2268;
F21V 21/04

See application file for complete search history.

(56) **References Cited**

U.S. PATENT DOCUMENTS

D329,097 S * 9/1992 Sacco D26/120

D426,905 S * 6/2000 Cook D26/28

D440,331 S * 4/2001 Nakazawa D26/28

* cited by examiner

Primary Examiner — Marcus Jackson

(74) *Attorney, Agent, or Firm* — Fishman Stewart PLLC

(57) **CLAIM**

The ornamental design for a vehicle component, as shown and described.

DESCRIPTION

FIG. 1 is a rear perspective view of a bodyside and a tailgate vehicle component;

FIG. 2 is a top perspective view of a bodyside and tailgate vehicle component;

FIG. 3 is a rear view of a bodyside and tailgate vehicle component;

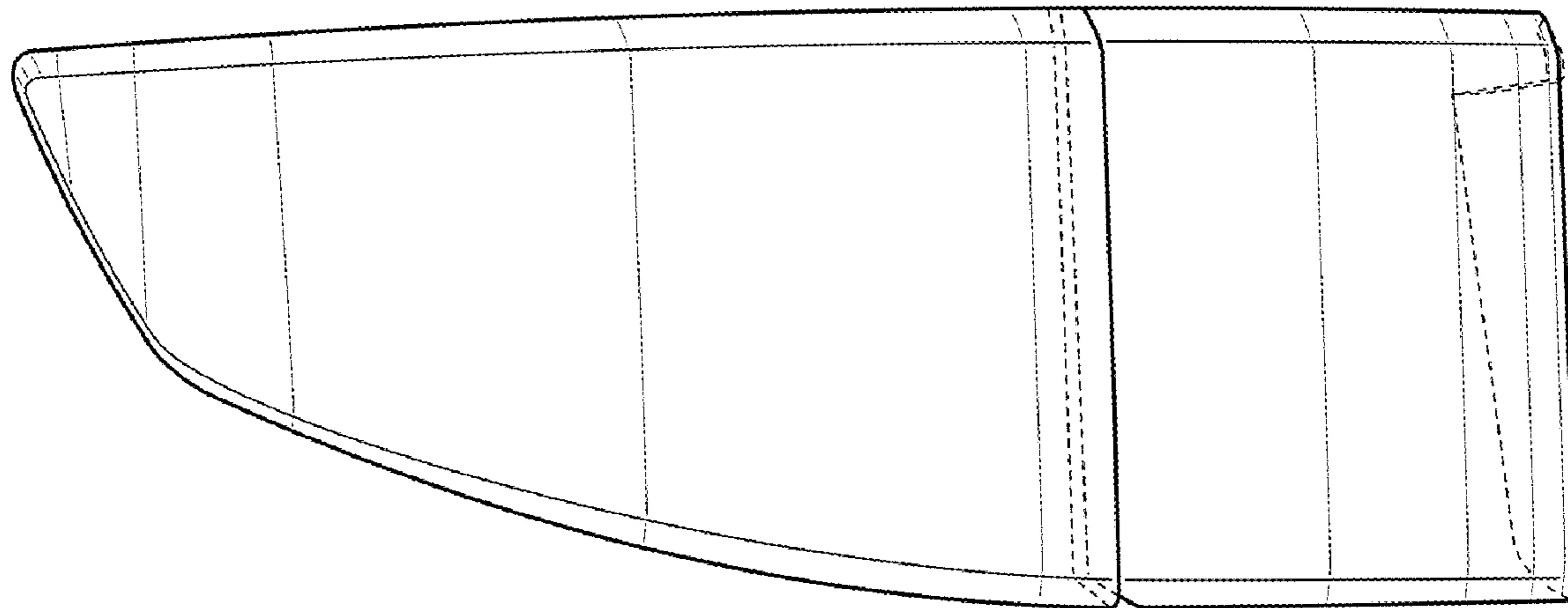
FIG. 4 is an outboard left side view of a bodyside and tailgate vehicle component;

FIG. 5 is a top view of a bodyside vehicle component; and,

FIG. 6 is a supplemental rear perspective view of a bodyside and tailgate vehicle component in the installed position on a vehicle.

Portions of the Figures shown in broken lines are for illustrative purposes only and form no part of the claimed design.

1 Claim, 4 Drawing Sheets



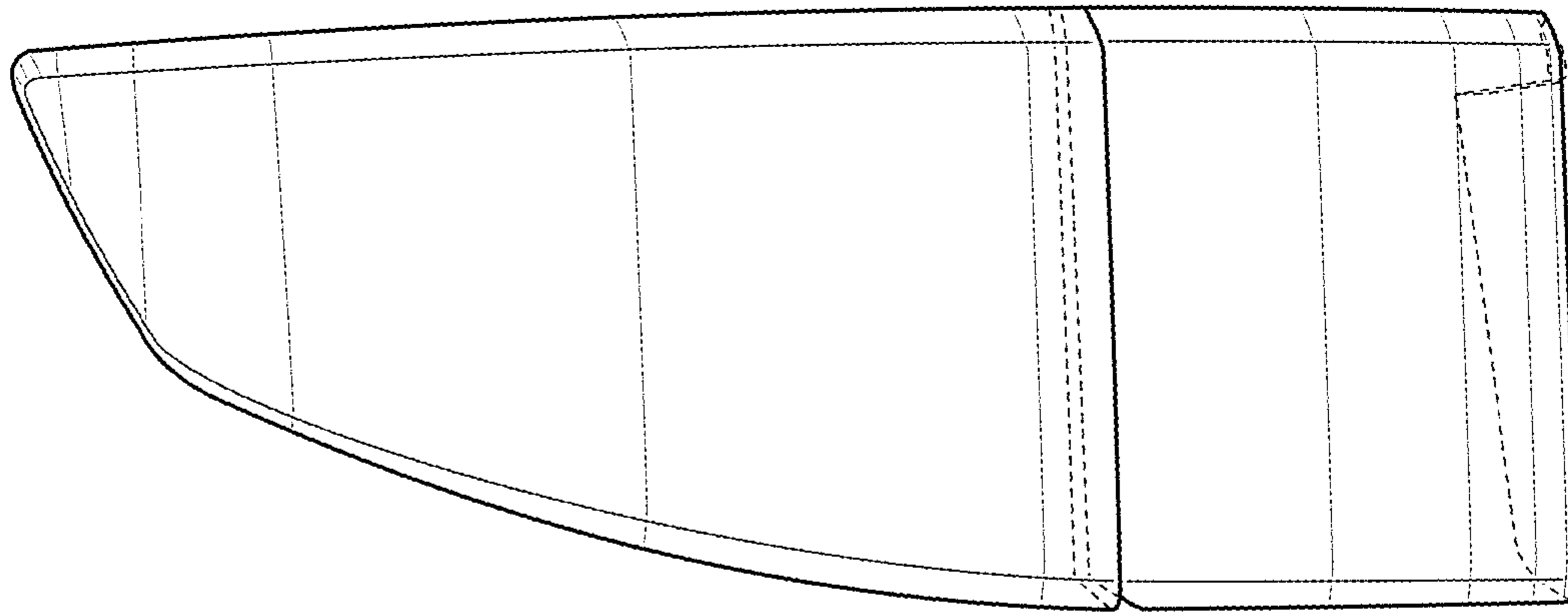


FIG. 1

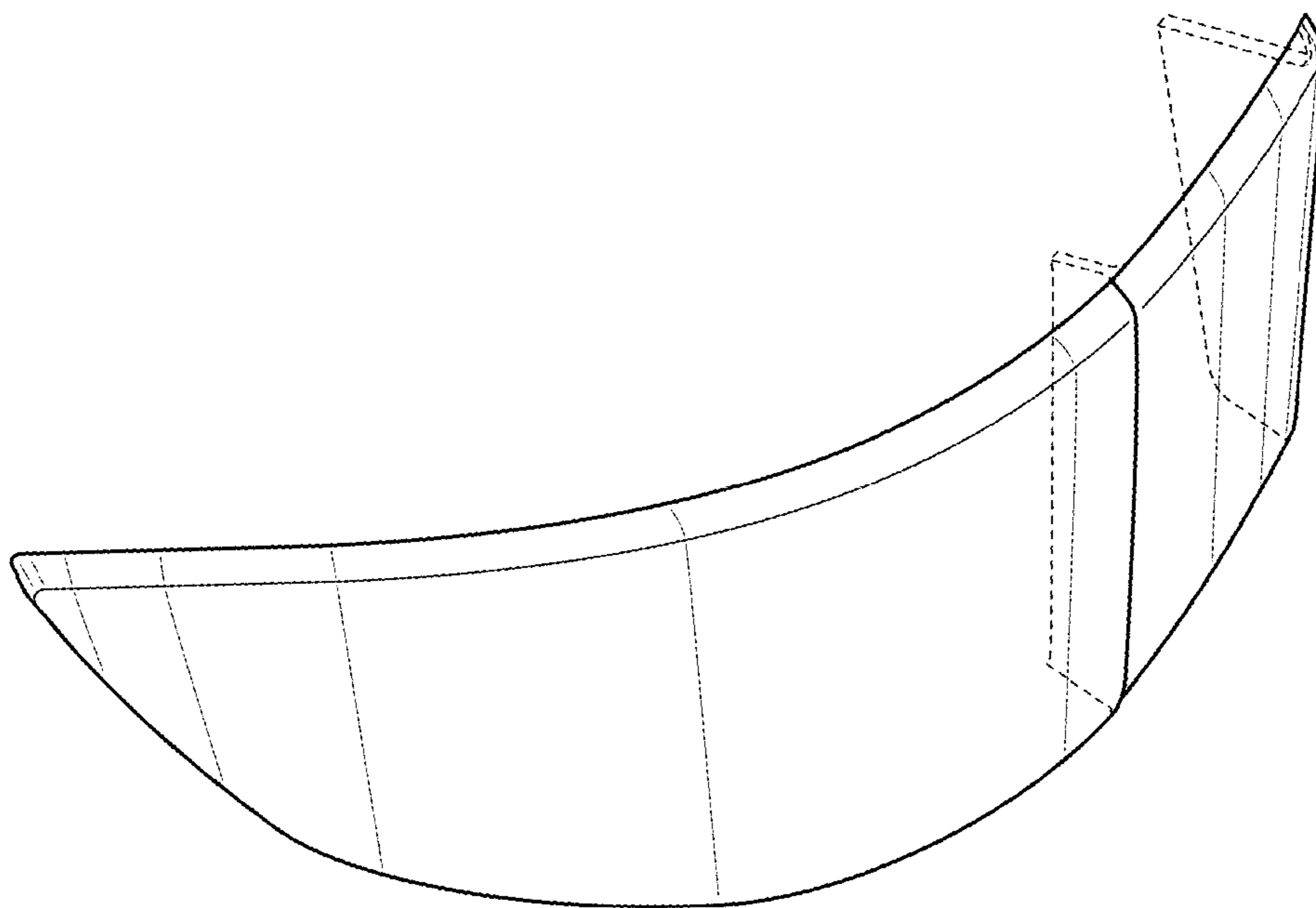


FIG. 2

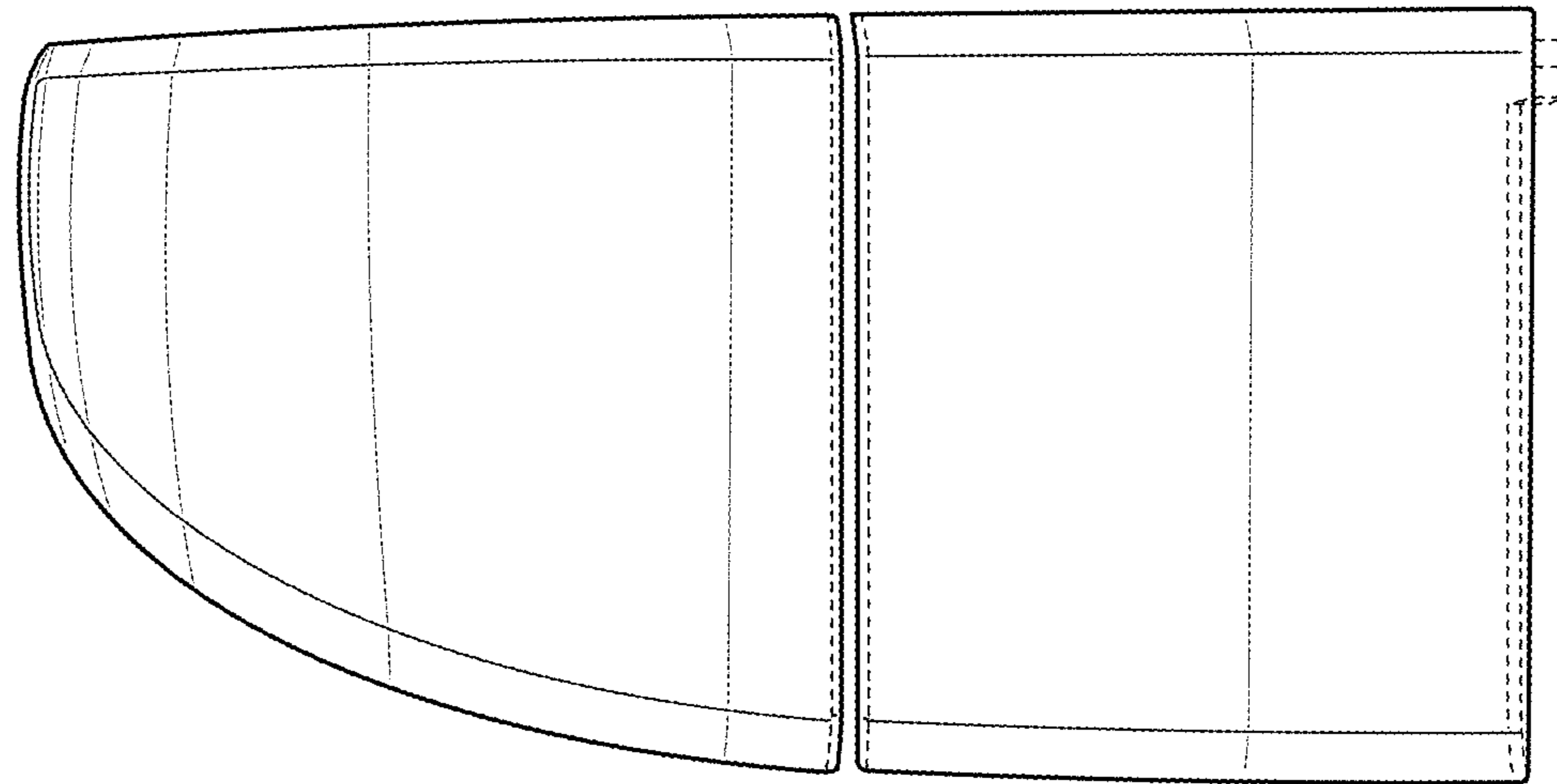


FIG. 3

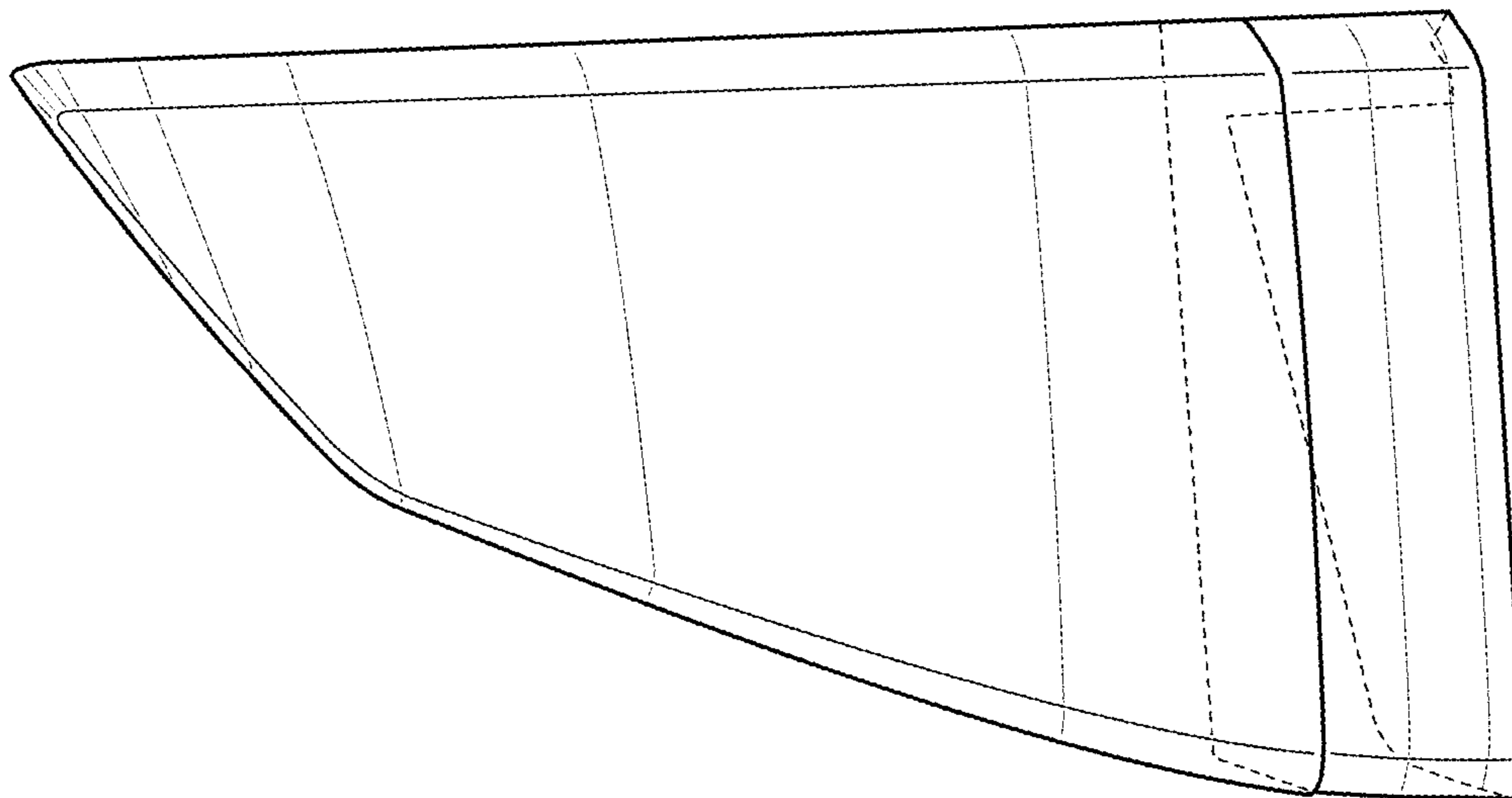


FIG. 4

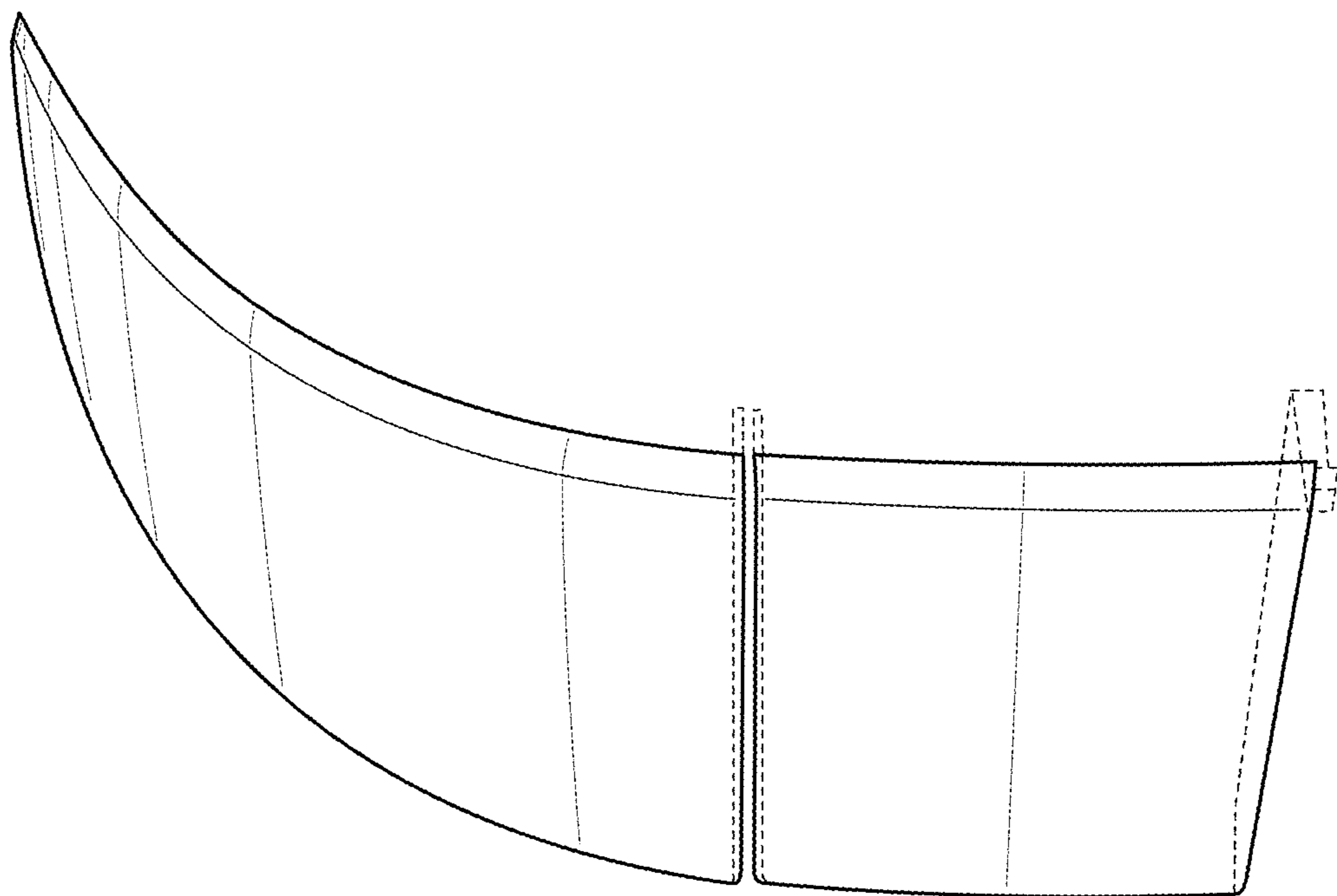


FIG. 5

