



US00D778488S

(12) **United States Design Patent**
Sutherland

(10) **Patent No.:** **US D778,488 S**

(45) **Date of Patent:** **** Feb. 7, 2017**

- (54) **LED HOUSING**
- (71) Applicant: **NINGBO HAIDER IMPORT AND EXPORT CO., LIMITED**, Zhejiang (CN)
- (72) Inventor: **Mark Sutherland**, Calgary (CA)
- (73) Assignee: **NINGBO HAIDER IMPORT AND EXPORT CO., LIMITED**, Zhejiang (CN)
- (**) Term: **15 Years**
- (21) Appl. No.: **29/539,069**
- (22) Filed: **Sep. 10, 2015**
- (51) **LOC (10) Cl.** **26-99**
- (52) **U.S. Cl.**
USPC **D26/138**
- (58) **Field of Classification Search**
USPC D13/110, 107, 108, 123, 133, 135, D13/137, 138, 199; D26/60-66, 138-139, D26/26-28, 72, 74, 75, 76, 81, 82, 106, D26/109, 113, 118; 174/53, 54; 362/269, 174/274; D8/377; D25/119-122
CPC H01R 25/14; H01R 25/142; H01R 25/00; F16J 1/16; H01L 27/14618; H01L 27/14601; H01L 27/14634; G06F 1/1637; E04C 2003/0408; E04C 2003/0421; E04C 2003/043; E04C 2003/0434; E04C 2003/0465
See application file for complete search history.

3,729,241	A *	4/1973	Schippers	A47B 47/0041	312/107
4,004,373	A *	1/1977	Eschbach	E04B 2/7863	49/413
D300,367	S *	3/1989	Reisinger	D25/122	
D311,586	S *	10/1990	Westphal	D25/122	
D312,134	S *	11/1990	Westphal	D25/122	
D598,574	S *	8/2009	Bergmann	D25/122	
D623,342	S *	9/2010	Klu	D26/138	
D623,343	S *	9/2010	Kluš	D26/138	
D662,255	S *	6/2012	Klu	D26/138	
D662,256	S *	6/2012	Klu	D26/138	
D752,422	S *	3/2016	Veilleux	D8/377	
D757,349	S *	5/2016	Wilcox	D26/120	
2005/0152132	A1 *	7/2005	Bernhart	F21S 8/06	362/147
2011/0181200	A1 *	7/2011	Luk	H05B 37/0254	315/294
2015/0316238	A1 *	11/2015	Guilmette	H01R 25/14	362/218

* cited by examiner

Primary Examiner — Eric Goodman
Assistant Examiner — Christopher J Matthews

(57) **CLAIM**

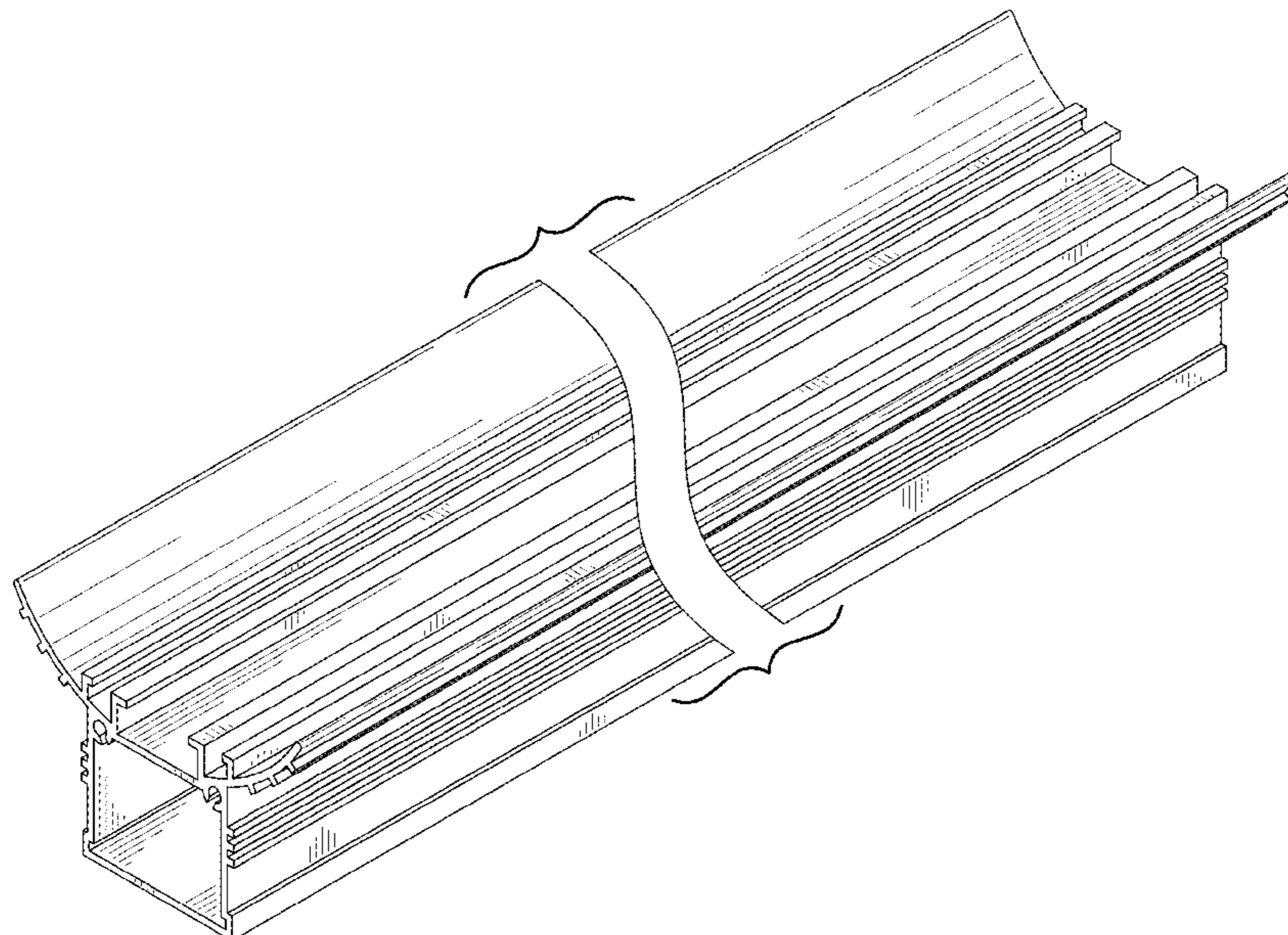
The ornamental design for a LED housing, as shown.

DESCRIPTION

FIG. 1 illustrates a perspective view of a LED housing of indeterminate length comprising a new design; and, FIG. 2 is a detailed end elevational view thereof at a larger scale.

The symbolic breaks and accompanying bracket in FIG. 1 indicate that the appearance of any portion of the article between the break lines forms no part of the claimed design.

1 Claim, 1 Drawing Sheet



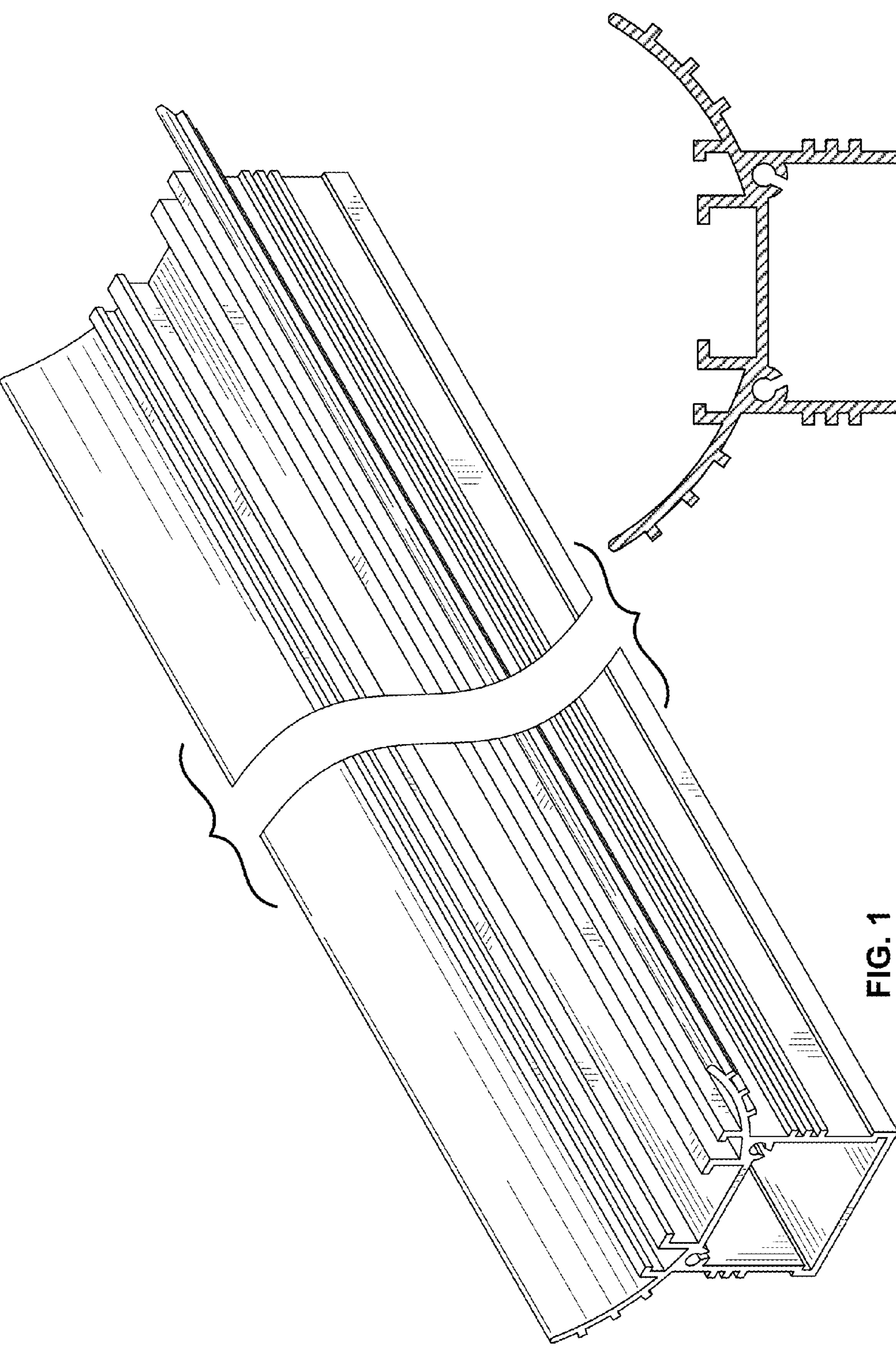


FIG. 1

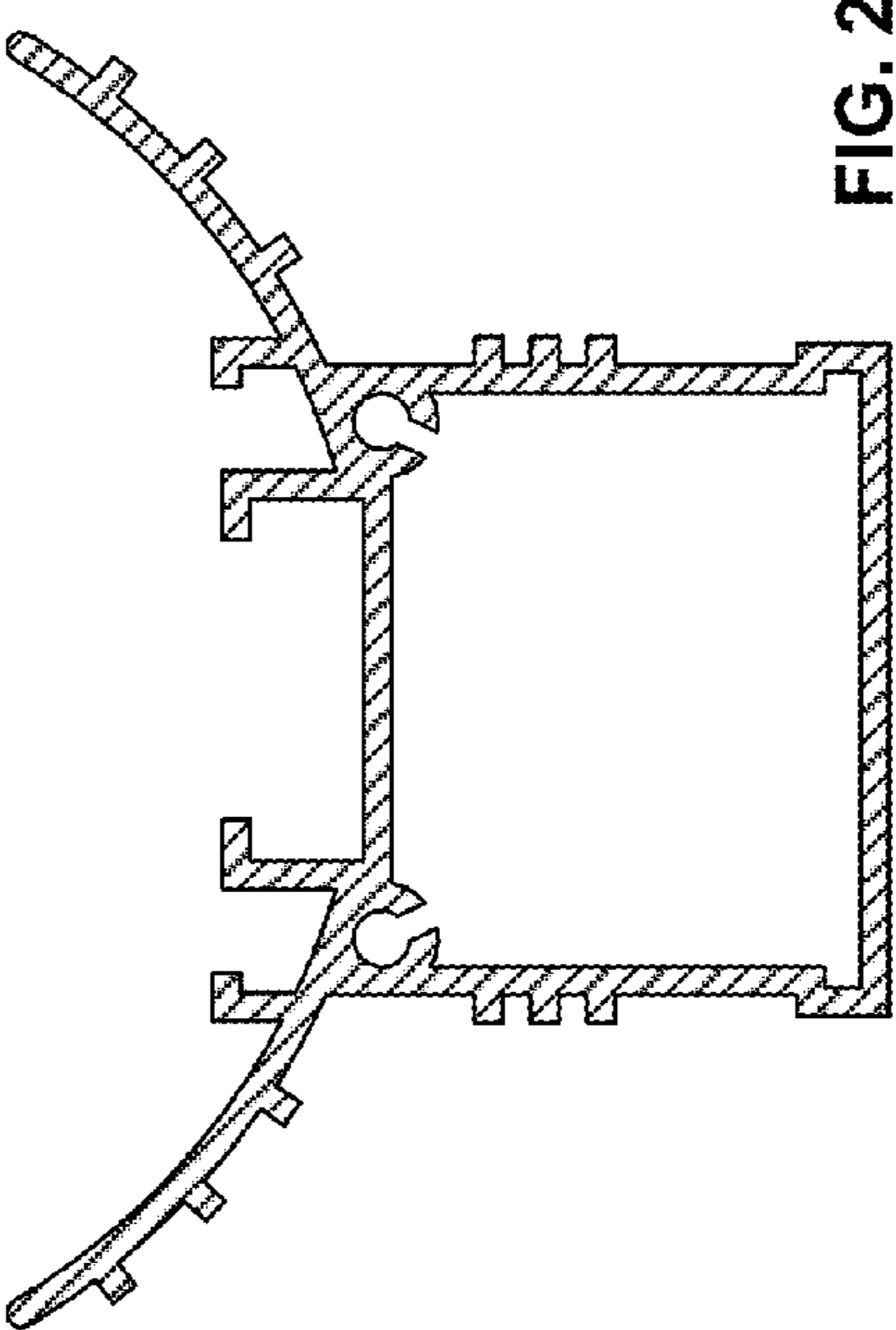


FIG. 2