



US00D778487S

(12) **United States Design Patent** (10) **Patent No.:** **US D778,487 S**
Salomon (45) **Date of Patent:** **** *Feb. 7, 2017**

(54) **LIGHTING FIXTURE TRIM**
(71) Applicant: **SPECIALITY LIGHTING INDUSTRIES, INC.**, Ocean, NJ (US)
(72) Inventor: **Benjamin Salomon**, Elberon, NJ (US)
(73) Assignee: **Specialty Lighting Industries, Inc.**, Ocean, NJ (US)

D592,348 S *	5/2009	Trott	D26/118
D601,741 S *	10/2009	Trott	D26/118
D628,335 S *	11/2010	Hyland	D26/74
D664,699 S *	7/2012	Nakahira	D26/74
D677,817 S *	3/2013	Mayfield, III	D26/74
D679,437 S *	4/2013	Watt	D26/74
D695,442 S *	12/2013	Speier	D26/74
D702,868 S *	4/2014	Patel	D26/74
D711,036 S *	8/2014	Salomon	D26/74
D731,111 S *	6/2015	Chen	D26/128

* cited by examiner

(*) Notice: This patent is subject to a terminal disclaimer.
(**) Term: **14 Years**

Primary Examiner — George D Kirschbaum
Assistant Examiner — Natasha Vujcic
(74) *Attorney, Agent, or Firm* — Jeffery J Brosemer

(21) Appl. No.: **29/497,041**
(22) Filed: **Jul. 21, 2014**
(51) **LOC (10) Cl.** **26-99**
(52) **U.S. Cl.**
USPC **D26/138**
(58) **Field of Classification Search**
USPC D26/24, 39, 59, 67, 68, 69, 70, 71, 72,
D26/74, 77, 80, 88, 89, 138, 139, 140,
D26/141, 142, 151, 152
CPC F24S 4/001; F24S 4/005; F24S 8/00;
F24S 8/04; F24S 8/043; F24S
8/046; F24S 8/06-8/065; F24S
13/02; F24S 13/04; F24S 13/06
See application file for complete search history.

(57) **CLAIM**

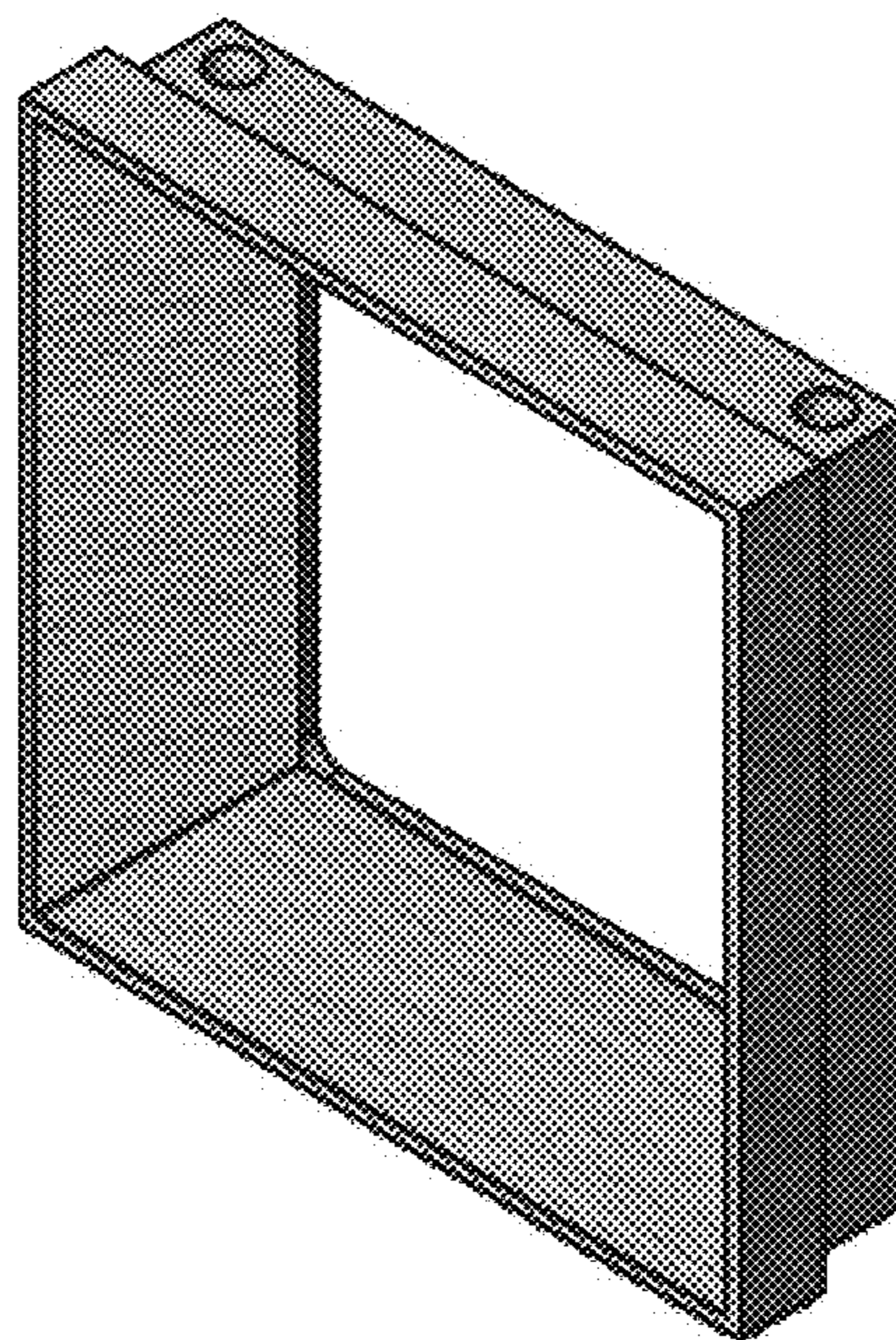
The ornamental design for a lighting fixture trim, as shown and described.

DESCRIPTION

The patent or application file contains at least one drawing executed in color. Copies of this patent or patent application publication with color drawing(s) will be provided by the Office upon request and payment of the necessary fee.
FIG. 1 is a perspective view of a lighting fixture trim showing my new design;
FIG. 2 is a front view thereof;
FIG. 3 is a right side view thereof;
FIG. 4 is a left side view thereof;
FIG. 5 is a top view thereof; and,
FIG. 6 is a bottom view thereof.
The broken lines in the drawings illustrate portions of the lighting fixture trim which form no part of the claimed design.

(56) **References Cited**
U.S. PATENT DOCUMENTS
D266,890 S * 11/1982 Pfanstiehl D6/300
6,179,451 B1 * 1/2001 Bodine E04B 9/001
362/147
D451,555 S * 12/2001 Smith D20/42

1 Claim, 6 Drawing Sheets
(6 of 6 Drawing Sheet(s) Filed in Color)



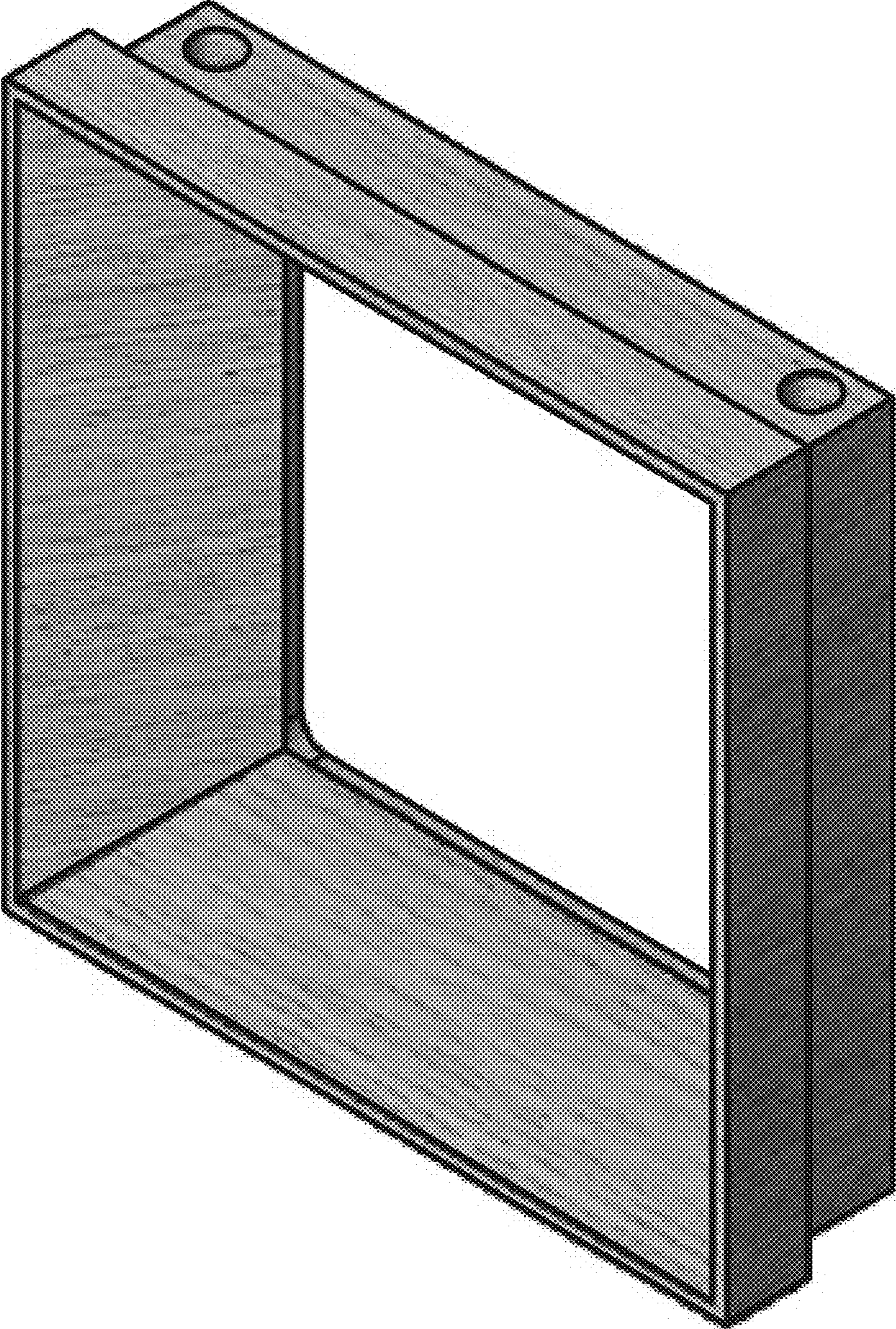


FIGURE 1

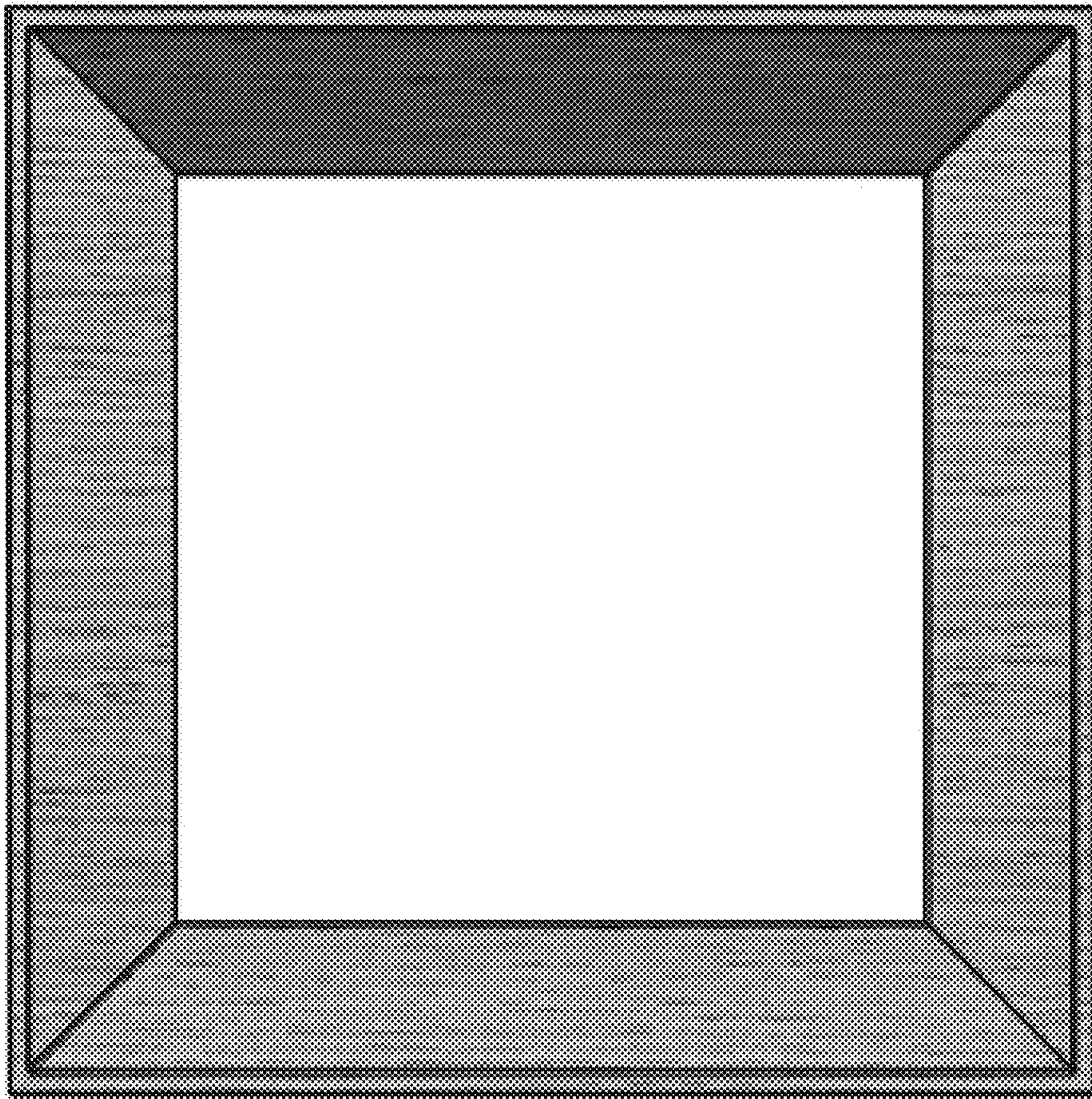


FIGURE 2

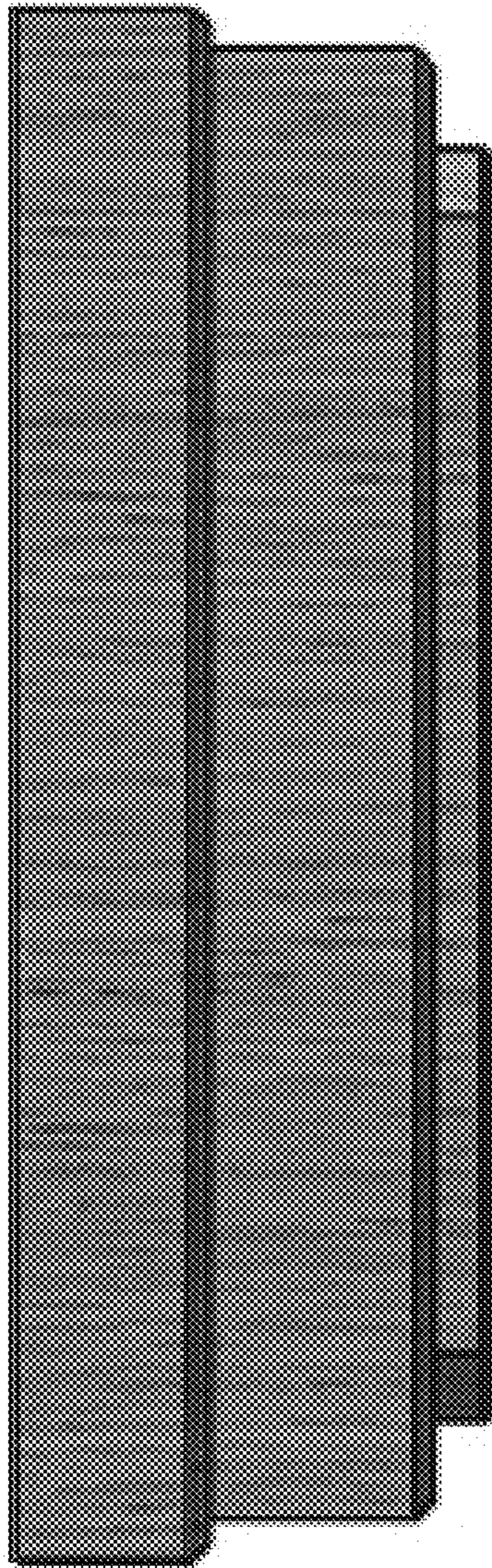


FIGURE 3

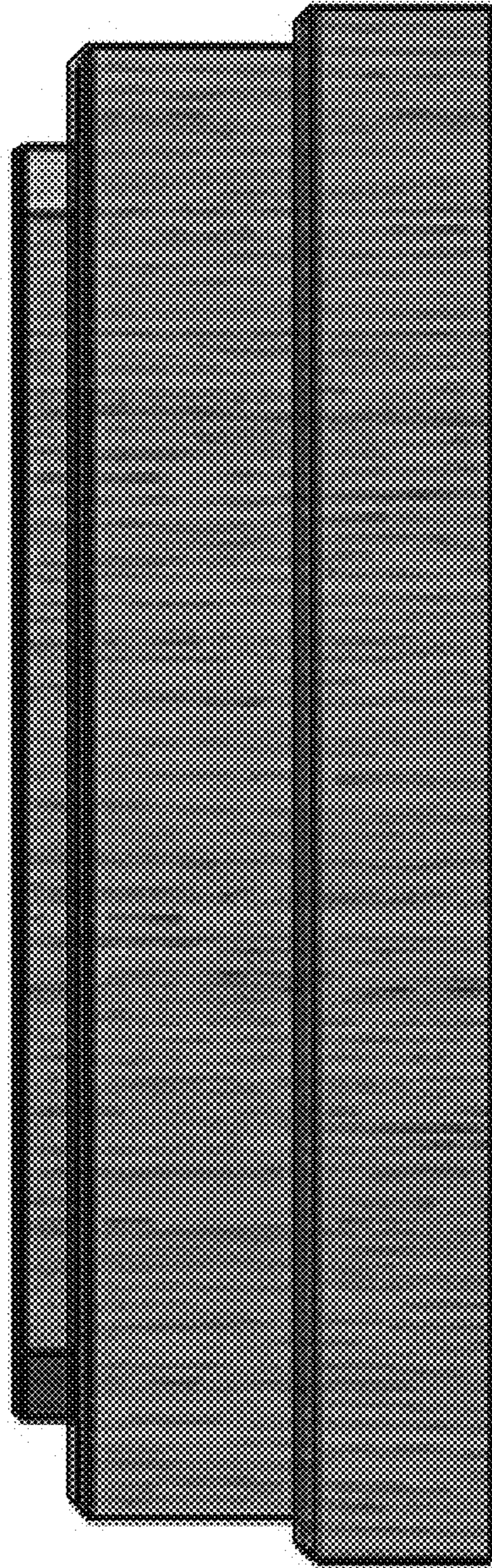


FIGURE 4

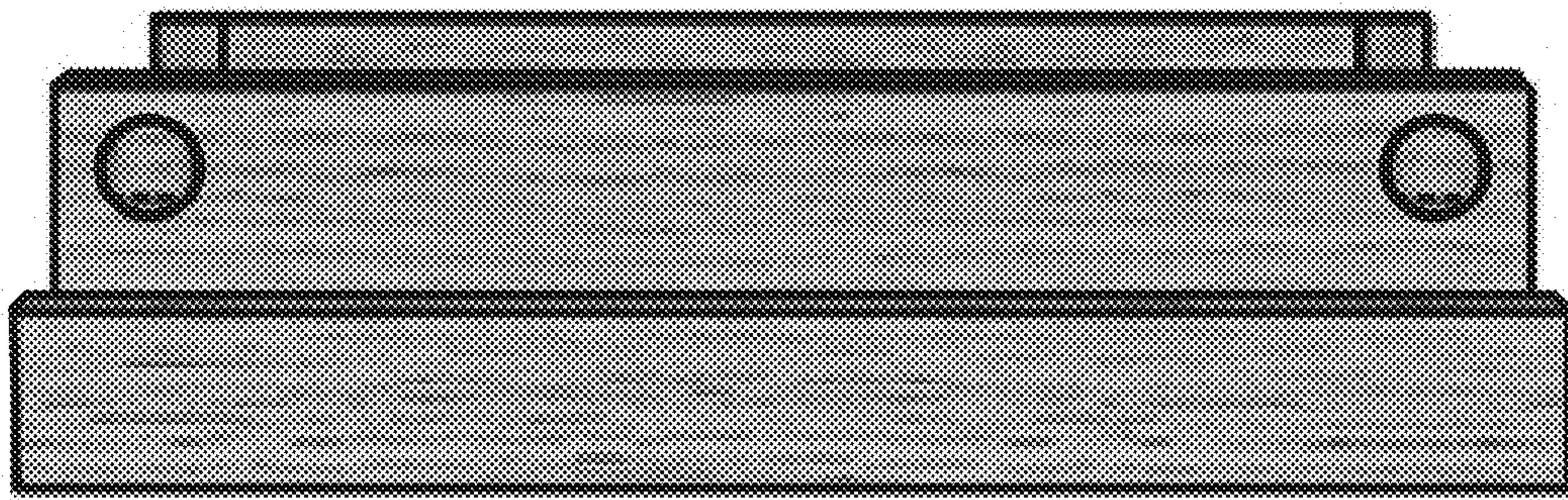


FIGURE 5

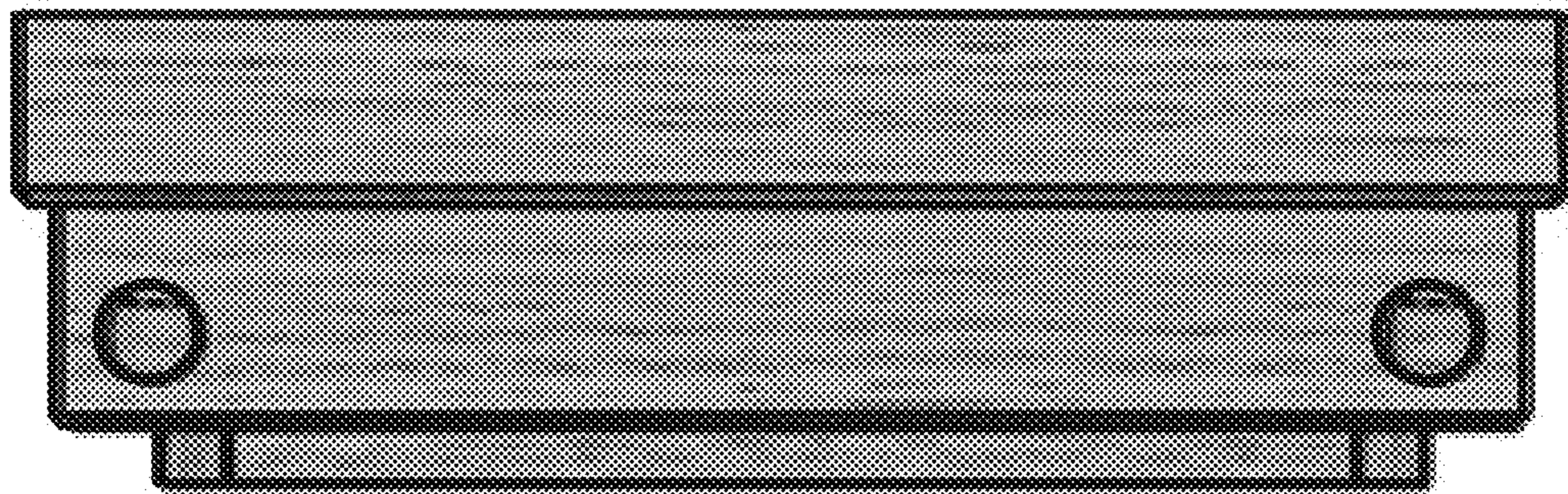


FIGURE 6