

US00D778486S

(12) **United States Design Patent** (10) **Patent No.:** **US D778,486 S**
Castelli (45) **Date of Patent:** **** Feb. 7, 2017**

(54) **LAMP**

(71) Applicant: **PAOLO CASTELLI S.p.A.**, Ozzano
Dell'Emilia (IT)

(72) Inventor: **Paolo Castelli**, Bologna (IT)

(73) Assignee: **PAOLO CASTELLI S.P.A.**, Ozzano,
Dell'Emila (IT)

(**) Term: **15 Years**

(21) Appl. No.: **29/542,715**

(22) Filed: **Oct. 16, 2015**

(51) **LOC (10) Cl.** **26-03**

(52) **U.S. Cl.**
USPC **D26/102**

(58) **Field of Classification Search**
USPC D26/24, 61, 63, 65, 93, 102, 107
CPC F21S 6/00; F21S 6/002; F21S 6/004;
F21S 6/005; F21S 6/008; F21S
8/08; F21V 21/02; F21V 21/14; F21W
2131/30

See application file for complete search history.

(56) **References Cited**

U.S. PATENT DOCUMENTS

D210,796 S *	4/1968	Jones	D26/102
D227,848 S *	7/1973	Schneider	D26/102
D342,339 S *	12/1993	Lin	D26/102
D465,057 S *	10/2002	Giudicelli	D26/102
D574,991 S *	8/2008	Citterio	D26/102
D595,009 S *	6/2009	Osgerby	D26/107
D674,951 S *	1/2013	Sonneman	D26/102

* cited by examiner

Primary Examiner — Brian N Vinson

(74) *Attorney, Agent, or Firm* — R. Neil Sudol; Henry D. Coleman

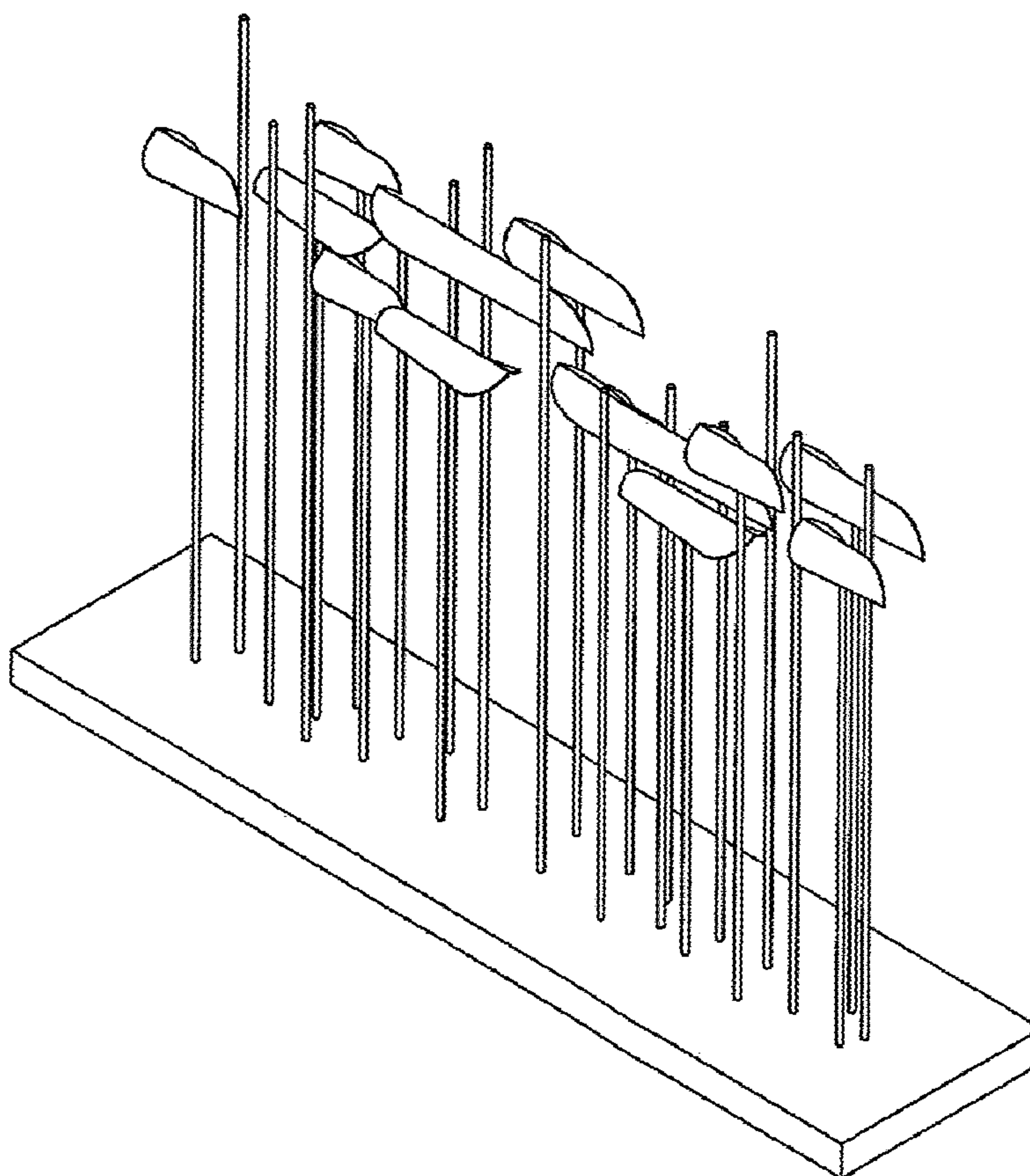
(57) **CLAIM**

The ornamental design for a lamp, as shown and described.

DESCRIPTION

FIG. 1 is a front elevational view of lamp, showing a new design in accordance with the present invention; FIG. 2 is top, front and left side perspective view thereof; FIG. 3 is a top plan view thereof; and, FIG. 4 is a left side elevational view thereof.

1 Claim, 4 Drawing Sheets



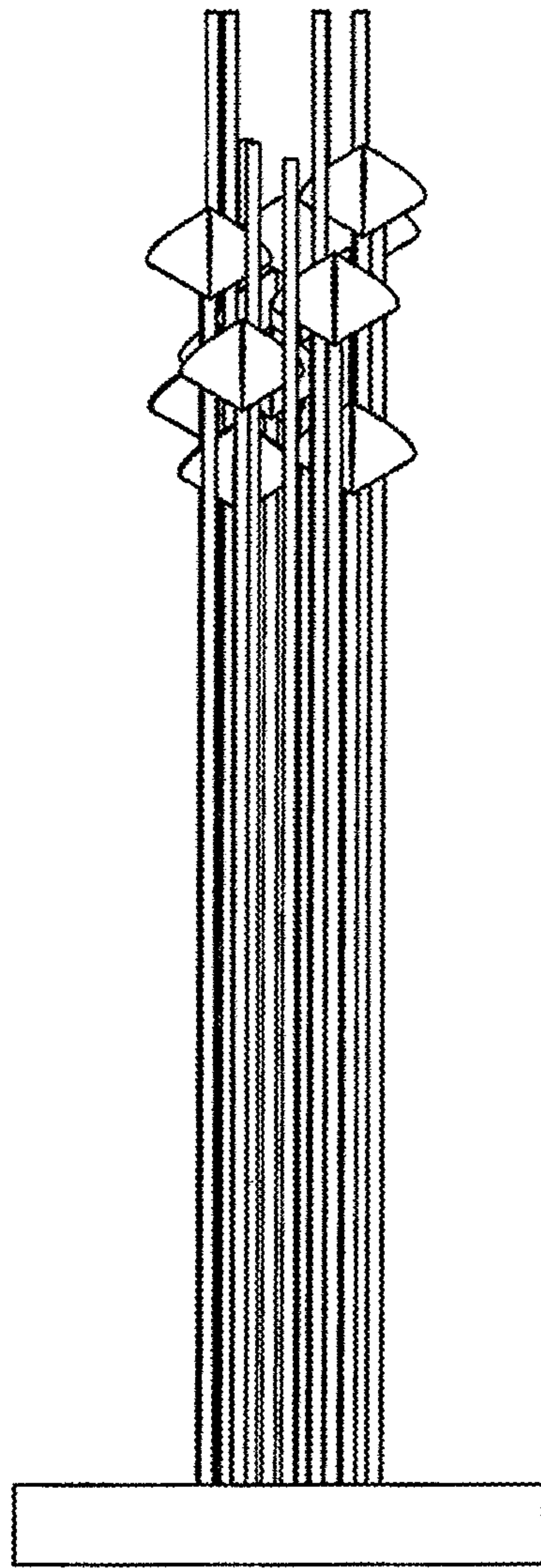


FIG. 1

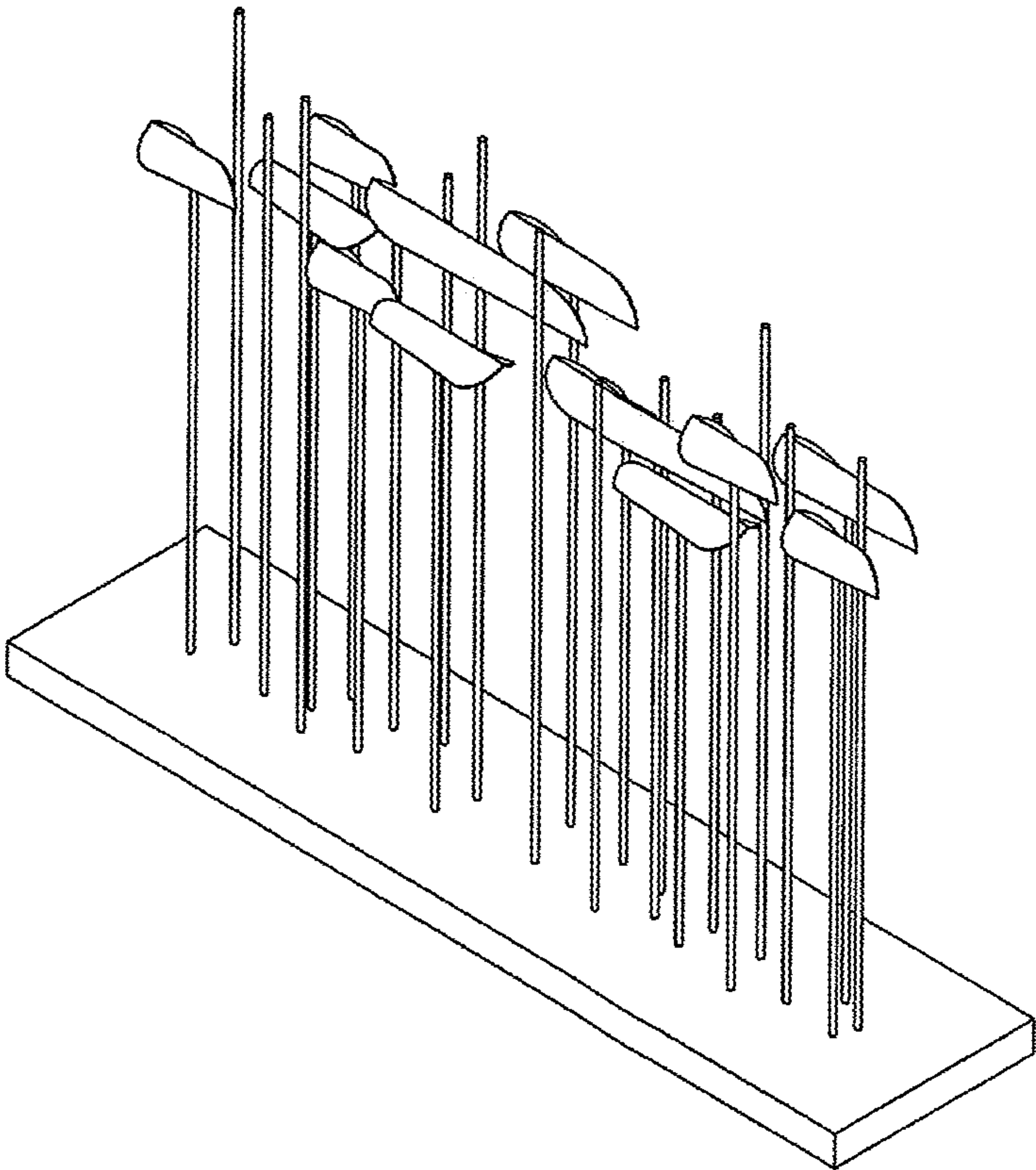


FIG. 2

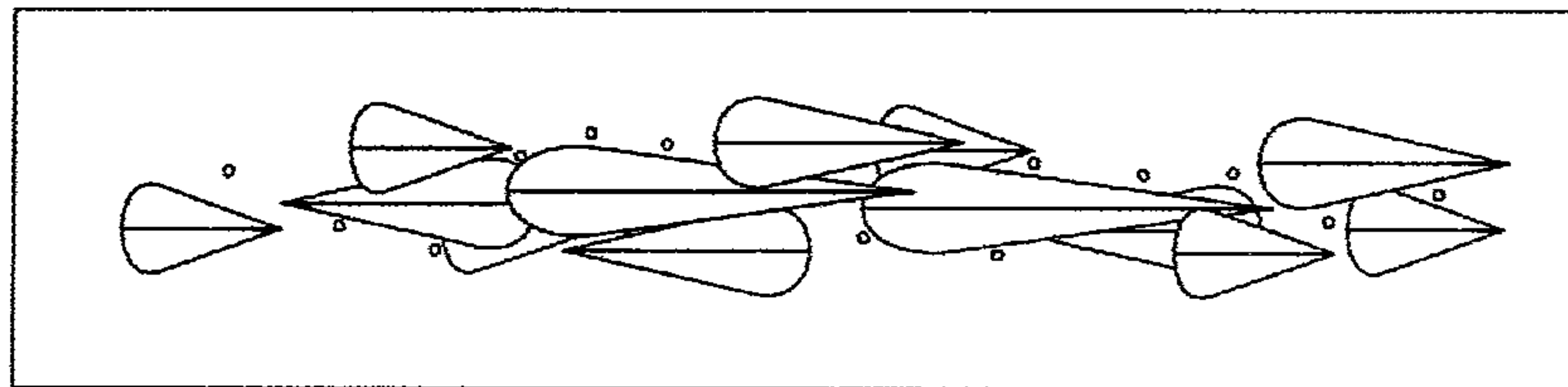


FIG. 3

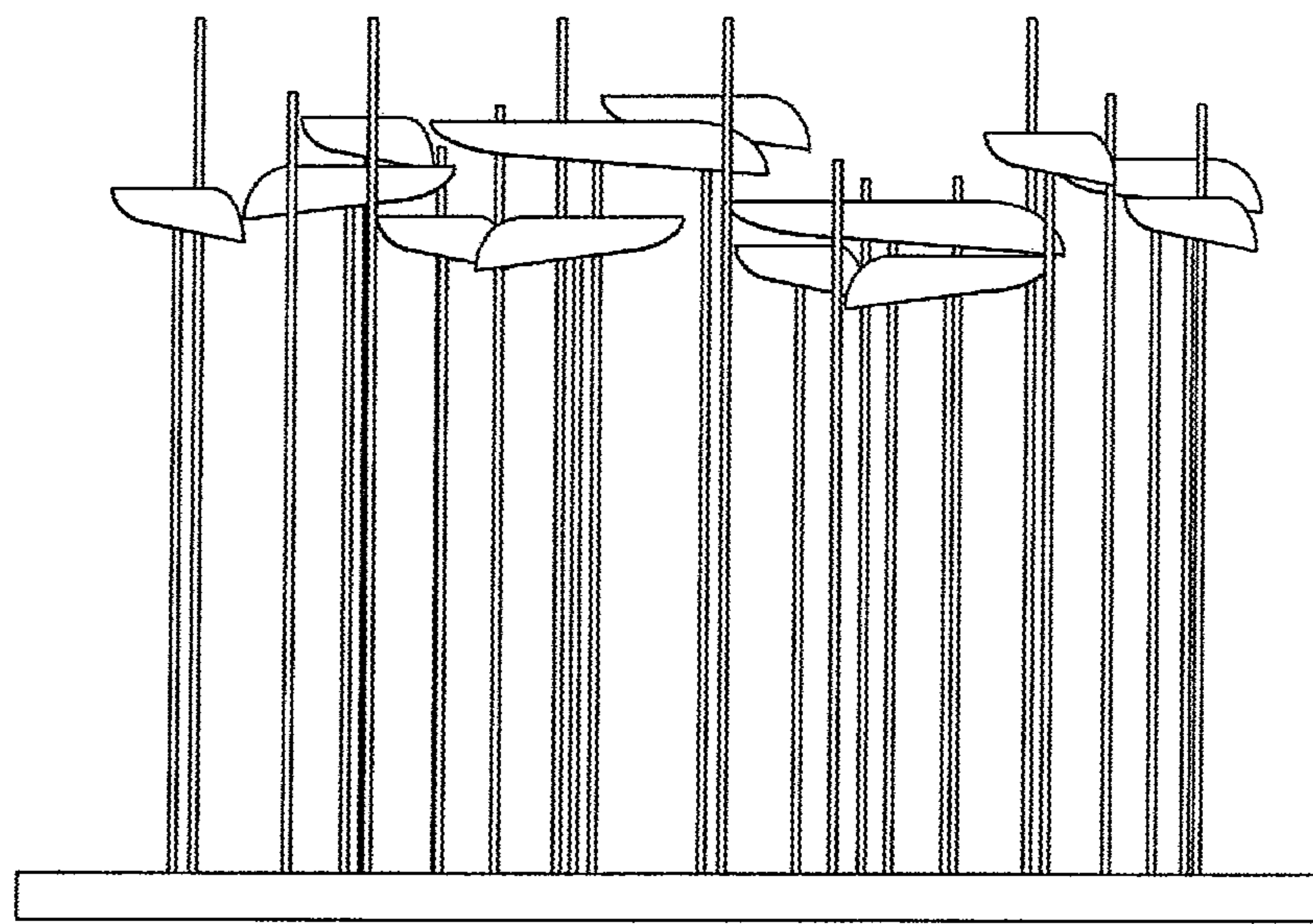


FIG. 4