



US00D778485S

(12) **United States Design Patent** (10) **Patent No.:** **US D778,485 S**
Jasper (45) **Date of Patent:** **** Feb. 7, 2017**

(54) **FLOOR LAMP**

(71) Applicant: **FLOS S.P.A.**, Bovezzo (IT)
 (72) Inventor: **Morrison Jasper**, Brescia (IT)
 (73) Assignee: **FLOS S.p.A.**, Bovezzo (Brescia) (IT)
 (**) Term: **15 Years**

(21) Appl. No.: **35/500,375**

(22) Filed: **Sep. 28, 2015**

(80) **Hague Agreement Data**

Int. Filing Date: **Sep. 28, 2015**
 Int. Reg. No.: **DM/088516**
 Int. Reg. Date: **Sep. 28, 2015**
 Int. Reg. Pub. Date: **Dec. 18, 2015**

(30) **Foreign Application Priority Data**

Apr. 7, 2015 (IT) BS2015O000014

(51) **LOC (10) Cl.** **26-03**

(52) **U.S. Cl.**
USPC **D26/93**

(58) **Field of Classification Search**

USPC D26/24, 63, 65, 69, 88, 93, 102, 104,
 D26/107, 108, 110; 362/257, 310, 311.13,
 362/351, 362, 363, 410, 414
 CPC F21S 6/00; F21S 6/002; F21V 21/00;
 F21V 21/02; F21V 23/04
 See application file for complete search history.

(56) **References Cited**

U.S. PATENT DOCUMENTS

D160,084 S *	9/1950	Grossman	D26/107
D412,593 S *	8/1999	Lin	D26/106
D428,032 S *	7/2000	Lee	D16/135
D429,762 S *	8/2000	Mershon	D16/135
D635,170 S *	3/2011	van der Lande	D16/135
D721,453 S *	1/2015	Anastassiades	D26/88

* cited by examiner

Primary Examiner — Zenia Bennett

(74) *Attorney, Agent, or Firm* — Thomas | Horstemeyer, LLP

(57) **CLAIM**

The ornamental design for a floor lamp, as shown and described.

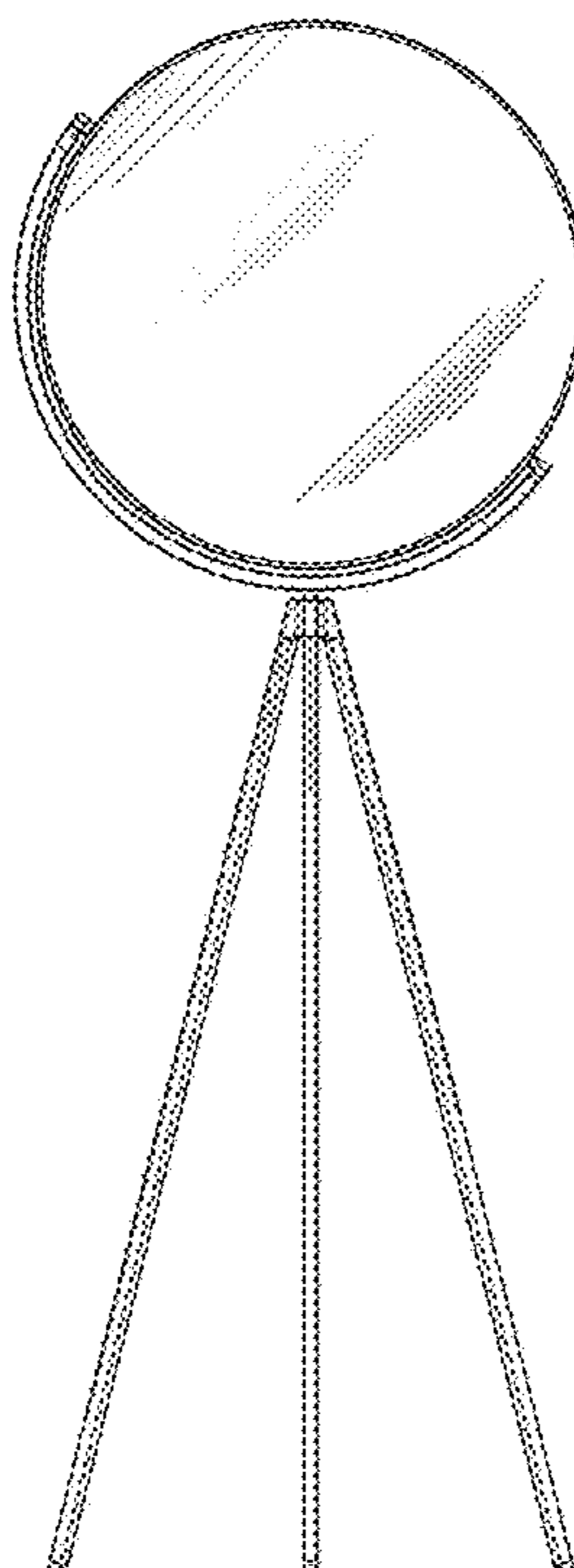
DESCRIPTION

1. Floor lamp

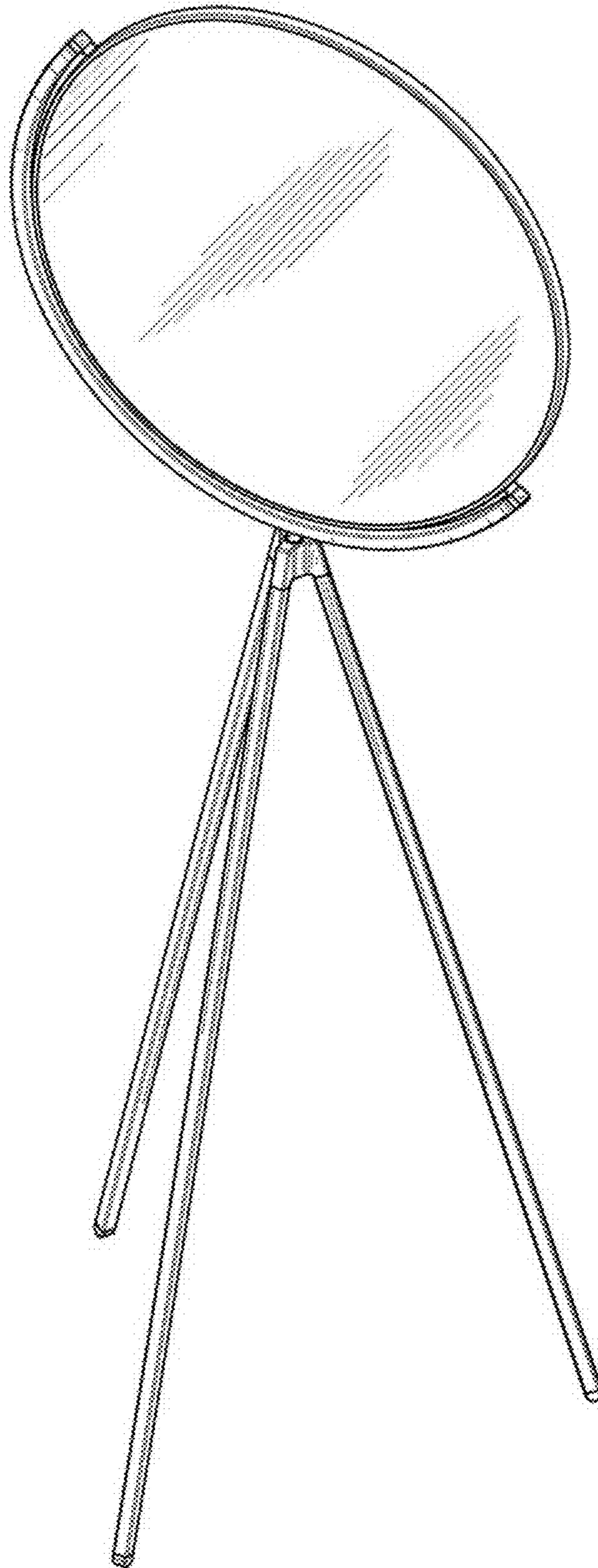
- FIG. 1.1 is a perspective view.
- FIG. 1.2 is another perspective view.
- FIG. 1.3 is a left side view.
- FIG. 1.4 is a right side view.
- FIG. 1.5 is a front view.
- FIG. 1.6 is a rear view.
- FIG. 1.7 is a top view.
- FIG. 1.8 is a bottom view.

The model regards a floor lamp; the lamp is characterized by a support structure having three legs and semi-circular beam; the support structure supports a plate diffuser.

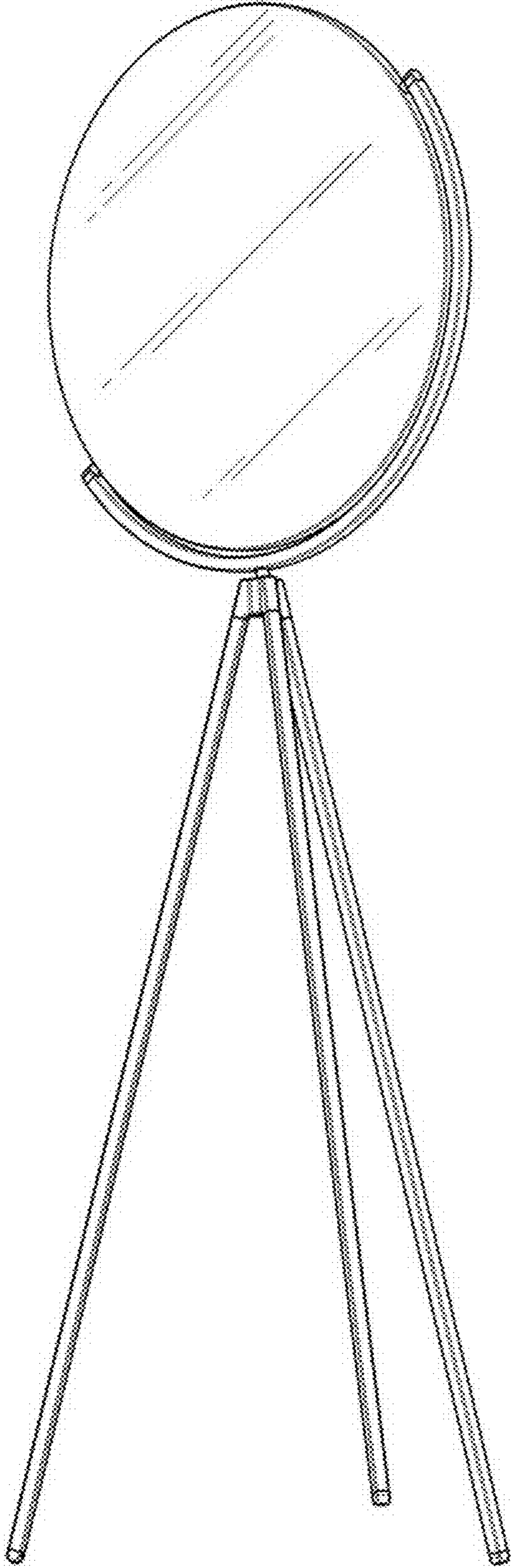
1 Claim, 8 Drawing Sheets



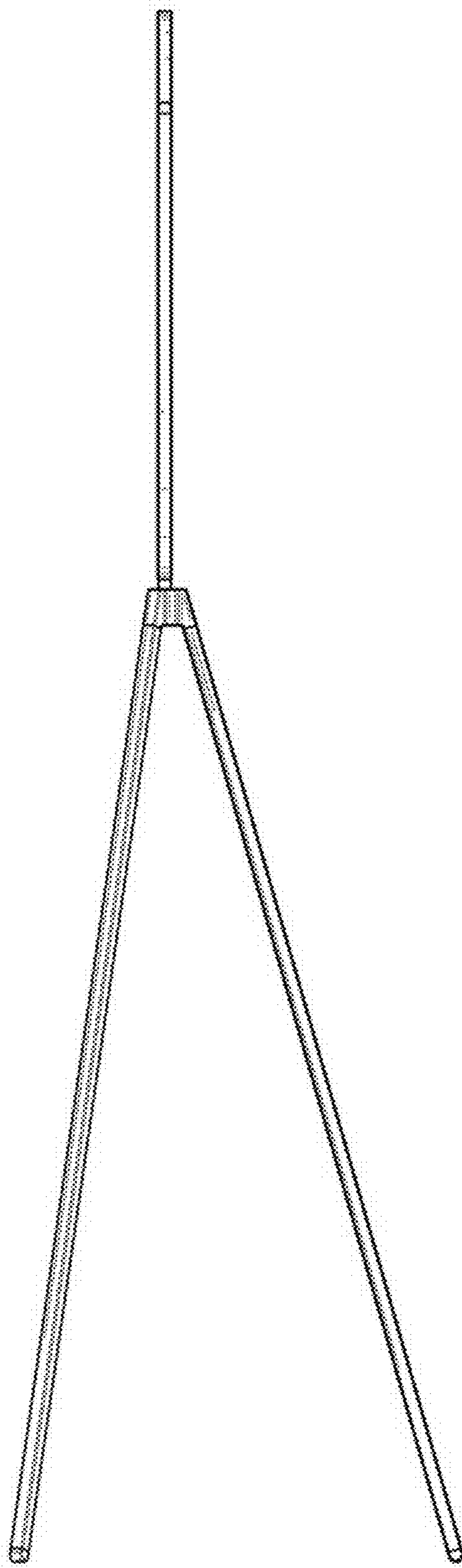
1.1



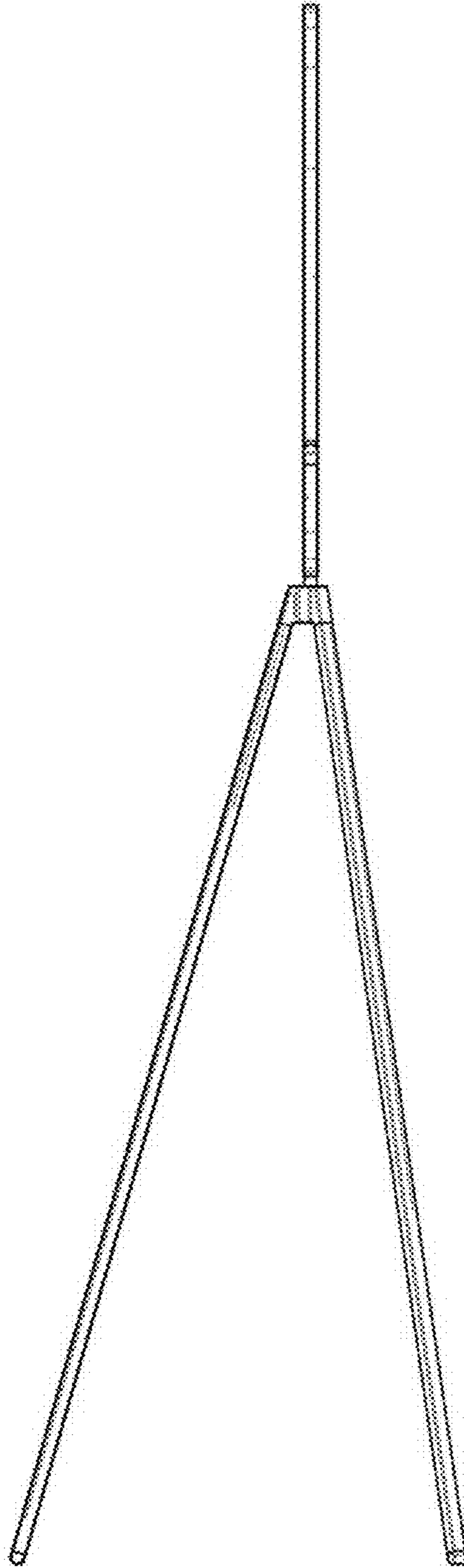
1.2



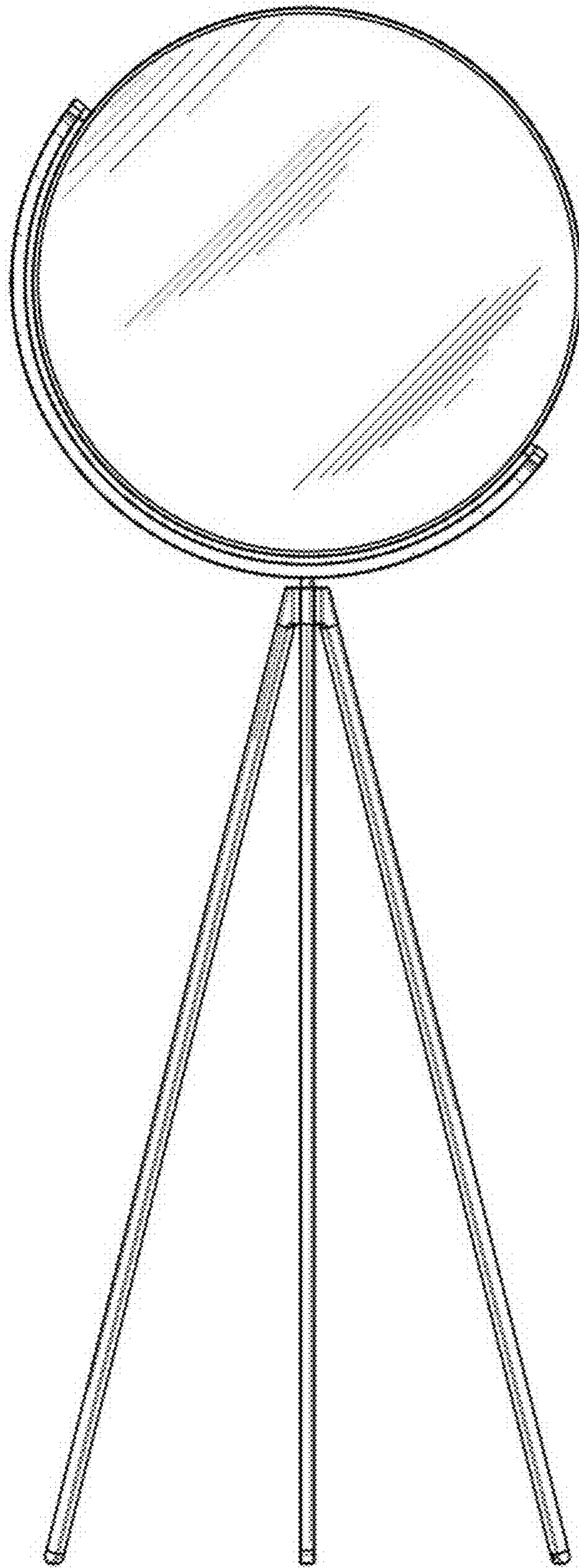
1.3



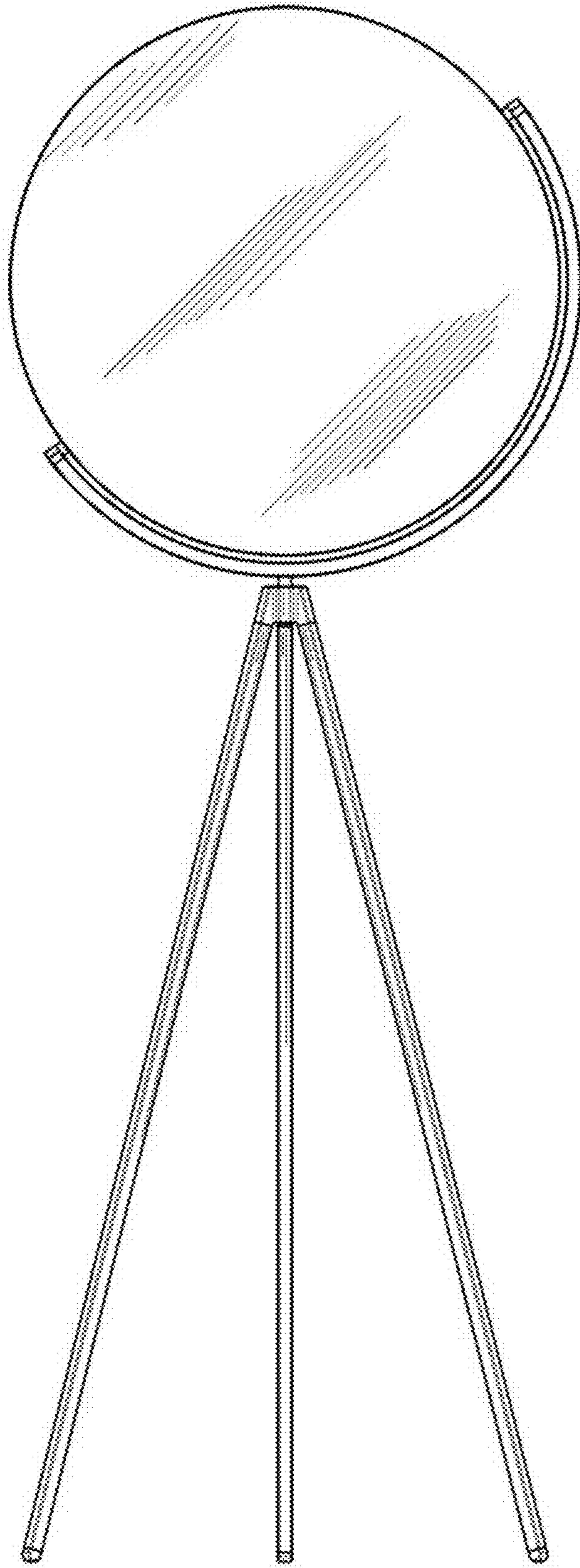
1.4



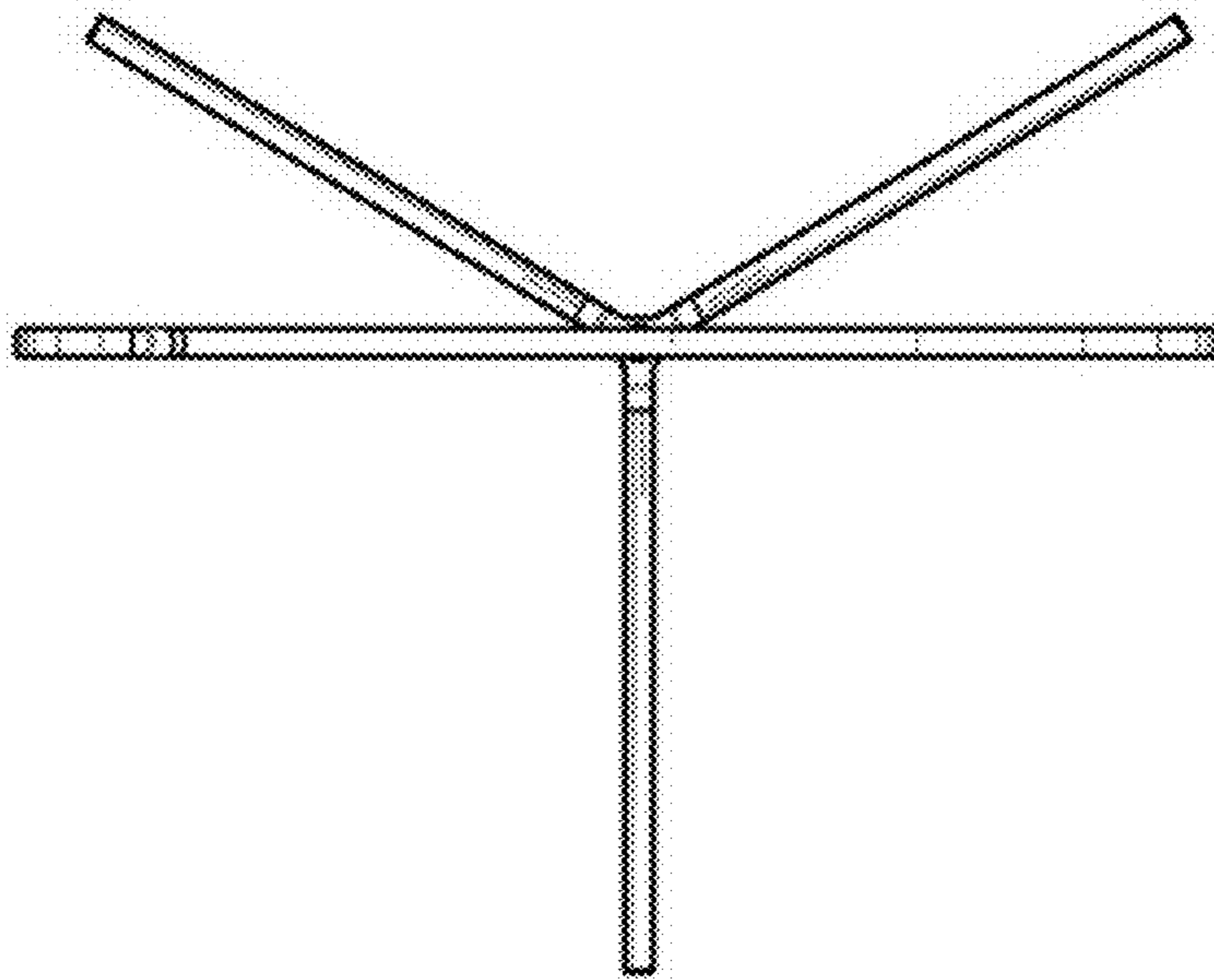
1.5



1.6



1.7



1.8

