



US00D778481S

(12) **United States Design Patent** (10) **Patent No.:** **US D778,481 S**
Galloppa (45) **Date of Patent:** **** Feb. 7, 2017**

(54) **OUTDOOR LIGHTING FIXTURE**
(71) Applicant: **Schreder, S.A.**, Brussels (BE)
(72) Inventor: **Sandro Galloppa**, Seraing (BE)
(73) Assignee: **Schreder, S.A.**, Brussels (BE)
(**) Term: **15 Years**

(21) Appl. No.: **29/540,863**
(22) Filed: **Sep. 29, 2015**

(30) **Foreign Application Priority Data**

Apr. 2, 2015 (EM) 002674861-0001

(51) **LOC (10) Cl.** **26-05**
(52) **U.S. Cl.**
USPC **D26/68**

(58) **Field of Classification Search**
USPC D26/63, 67-70; D10/113.2
CPC F21S 8/08; F21S 8/081; F21S 8/083;
F21S 8/088; F21S 9/03; F21S
9/032; F21S 9/035; F21S 9/037; F21W
2131/109; F21W 2111/023; F21V 21/0824
See application file for complete search history.

(56) **References Cited**

U.S. PATENT DOCUMENTS

D316,459 S * 4/1991 Kira D26/104
5,126,923 A * 6/1992 Hall, II F21S 8/083
362/282
D333,278 S * 2/1993 Bezas D10/113.2
D377,229 S * 1/1997 Shalvi D26/104
D598,152 S * 8/2009 Tortel D26/68

D638,974 S * 5/2011 Fuksas D26/68
D657,087 S * 4/2012 Krogman D26/68
D660,492 S * 5/2012 Williams D26/68
D696,805 S * 12/2013 Duquette D26/68
D697,246 S * 1/2014 Martzall D26/67
D745,204 S * 12/2015 Skira D26/68
2012/0287610 A1 * 11/2012 Krogman F21S 8/083
362/152
2013/0063947 A1 * 3/2013 Knappschneider F21S 8/083
362/277

* cited by examiner

Primary Examiner — Clare E Heflin
(74) *Attorney, Agent, or Firm* — Kirschstein, Israel,
Schiffmiller & Pieroni, P.C.

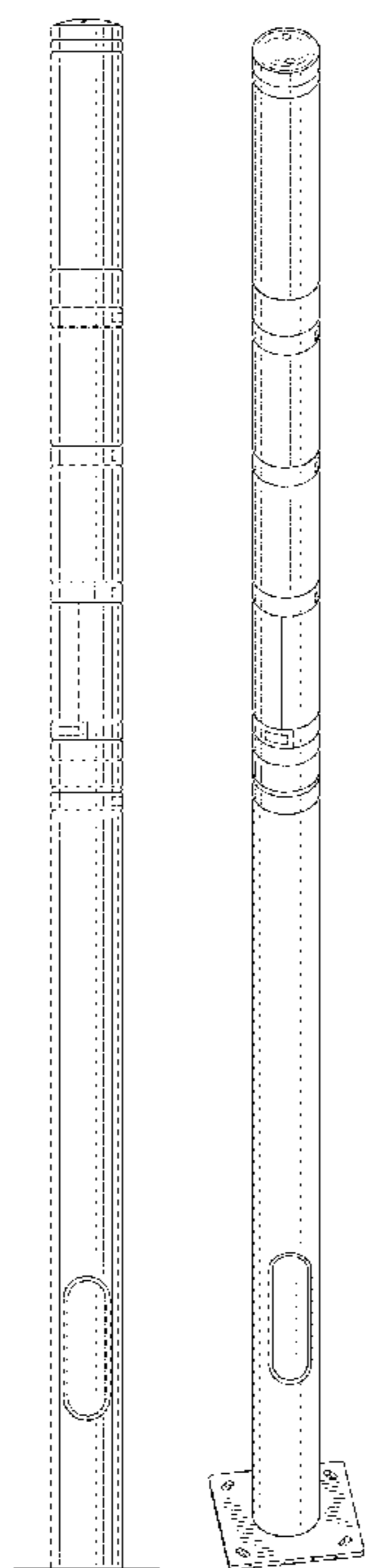
(57) **CLAIM**

The ornamental design for an outdoor lighting fixture, as shown and described.

DESCRIPTION

FIG. 1 is a front elevational view of an outdoor lighting fixture according to my new design.
FIG. 2 is a top plan view thereof.
FIG. 3 is a right side elevational view thereof.
FIG. 4 is a left side elevational view thereof.
FIG. 5 is a rear elevational view thereof.
FIG. 6 is a bottom plan view thereof.
FIG. 7 is a perspective view thereof as seen from above; and,
FIG. 8 is a perspective view thereof as seen from below.
The broken lines shown on the drawings depict portions of the outdoor lighting fixture that form no part of the claimed design.

1 Claim, 5 Drawing Sheets



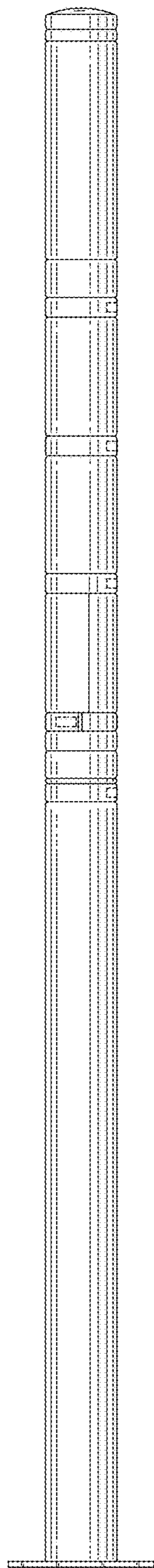


FIG. 1

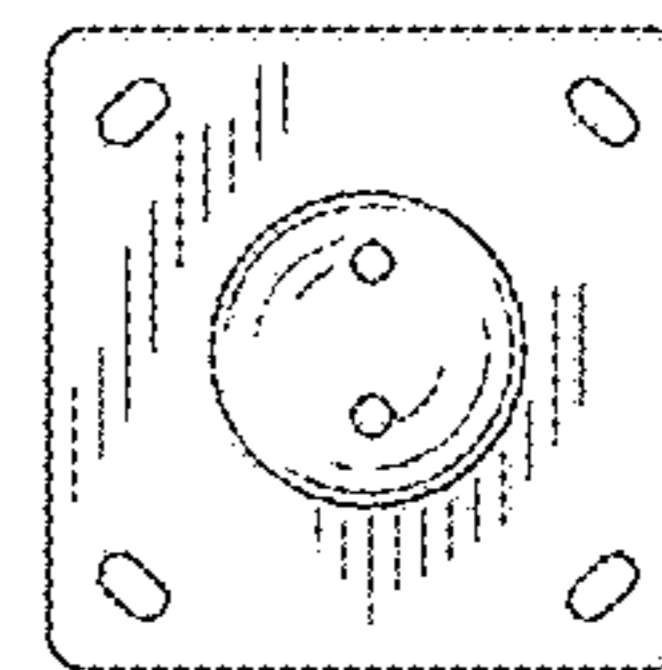


FIG. 2

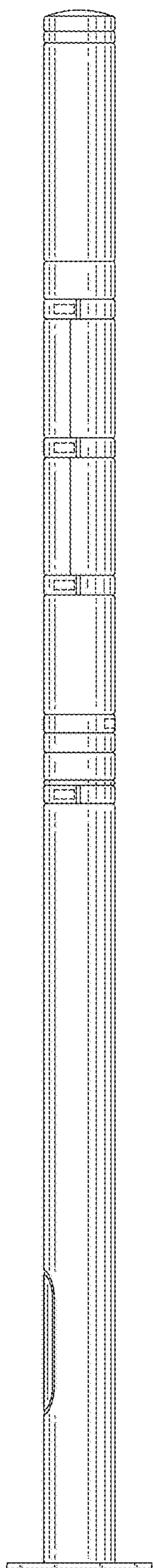


FIG. 3

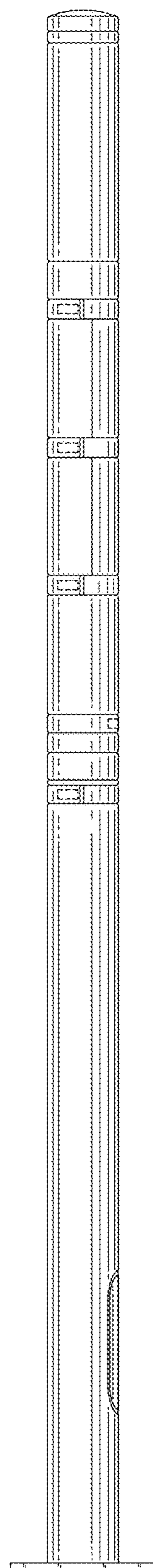


FIG. 4

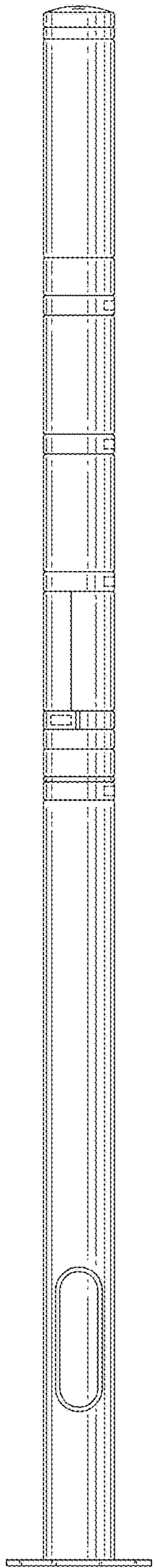


FIG. 5

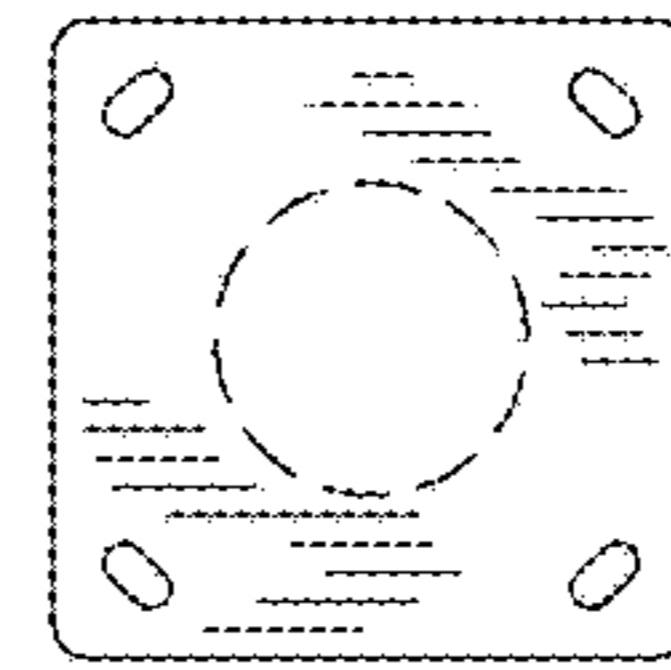


FIG. 6

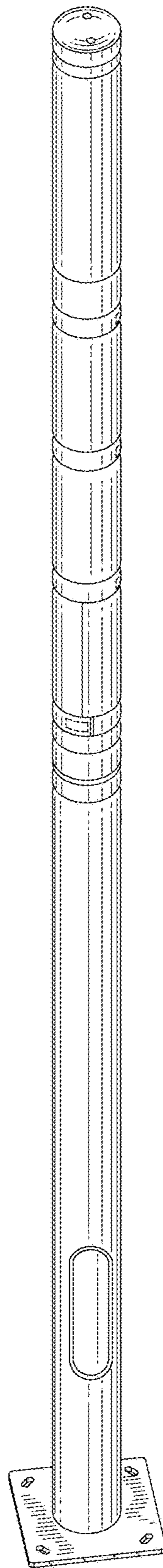


FIG. 7

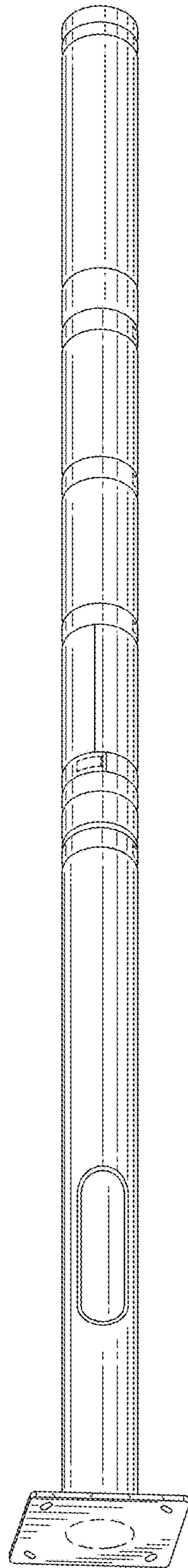


FIG. 8