



US00D778479S

(12) **United States Design Patent**  
**Recker et al.**

(10) **Patent No.:** **US D778,479 S**

(45) **Date of Patent:** **\*\* Feb. 7, 2017**

(54) **COMPACT PATH LIGHT**

(71) Applicants: **Michael V Recker**, Gaithersburg, MD  
(US); **David B Levine**, Pepper Pike,  
OH (US)

(72) Inventors: **Michael V Recker**, Gaithersburg, MD  
(US); **David B Levine**, Pepper Pike,  
OH (US)

(73) Assignee: **WIRELESS ENVIRONMENT, LLC**,  
Solon, OH (US)

(\*\*) Term: **15 Years**

(21) Appl. No.: **29/532,244**

(22) Filed: **Jul. 2, 2015**

(51) **LOC (10) Cl.** ..... **26-05**

(52) **U.S. Cl.**

USPC ..... **D26/68**

(58) **Field of Classification Search**

USPC ..... D26/63, 67-70; D10/113.2

CPC ..... F21S 8/08; F21S 8/081; F21S 8/083;

F21S 8/088; F21S 9/03; F21S

9/032; F21S 9/035; F21S 9/037; F21W

2131/109; F21W 2111/023; F21V 21/0824

See application file for complete search history.

(56) **References Cited**

**U.S. PATENT DOCUMENTS**

D316,452 S *	4/1991	Kira	.....	D26/104
D571,495 S *	6/2008	Berns	.....	D26/68
D597,698 S *	8/2009	Lee	.....	D26/68
D598,155 S *	8/2009	Lee	.....	D26/68
D601,290 S *	9/2009	Saint-Aubin	.....	D26/67
D653,371 S *	1/2012	Compton	.....	D26/68
D663,878 S *	7/2012	Ho	.....	D26/67

D673,317 S *	12/2012	Yang	.....	D26/68
D695,937 S *	12/2013	Duquette	.....	D26/68
8,770,801 B1 *	7/2014	Berns	.....	F21S 8/083
				362/296.01
9,004,706 B1 *	4/2015	Banfield	.....	F21V 33/0056
				362/86
D732,222 S *	6/2015	Recker	.....	D26/68
2008/0273333 A1 *	11/2008	Berns	.....	F21S 8/083
				362/294

\* cited by examiner

*Primary Examiner* — Clare E Heflin

(74) *Attorney, Agent, or Firm* — Finnegan, Henderson,  
Farabow, Garrett & Dunner LLP

(57) **CLAIM**

The ornamental design for a compact path light, as shown and described.

**DESCRIPTION**

FIG. 1 is a front left top perspective view of a compact path light showing our new design;

FIG. 2 is a front right perspective view thereof;

FIG. 3 is a rear left perspective view thereof;

FIG. 4 is a front elevation view thereof;

FIG. 5 is a rear elevation view thereof;

FIG. 6 is a left side view thereof;

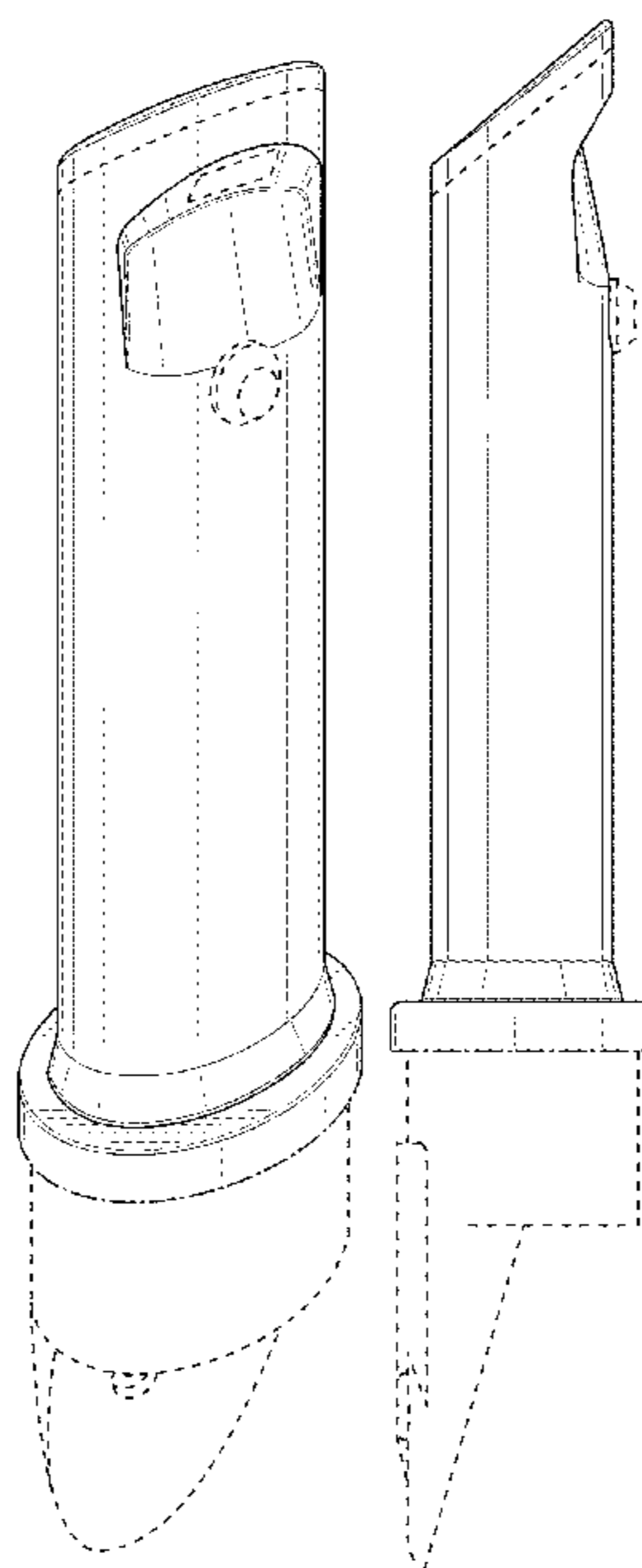
FIG. 7 is a right side view thereof.

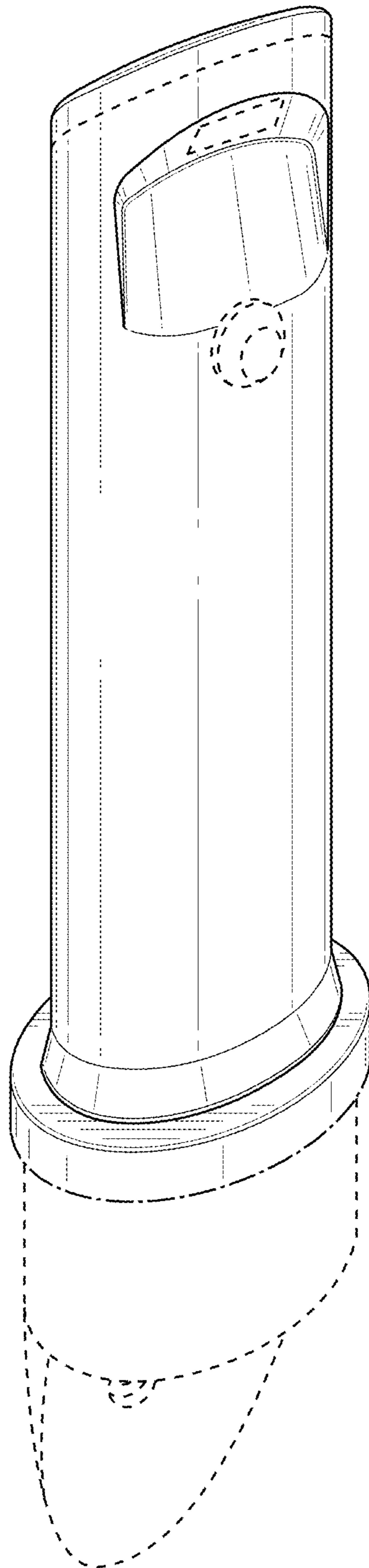
FIG. 8 is a top plan view thereof; and,

FIG. 9 is a bottom view thereof.

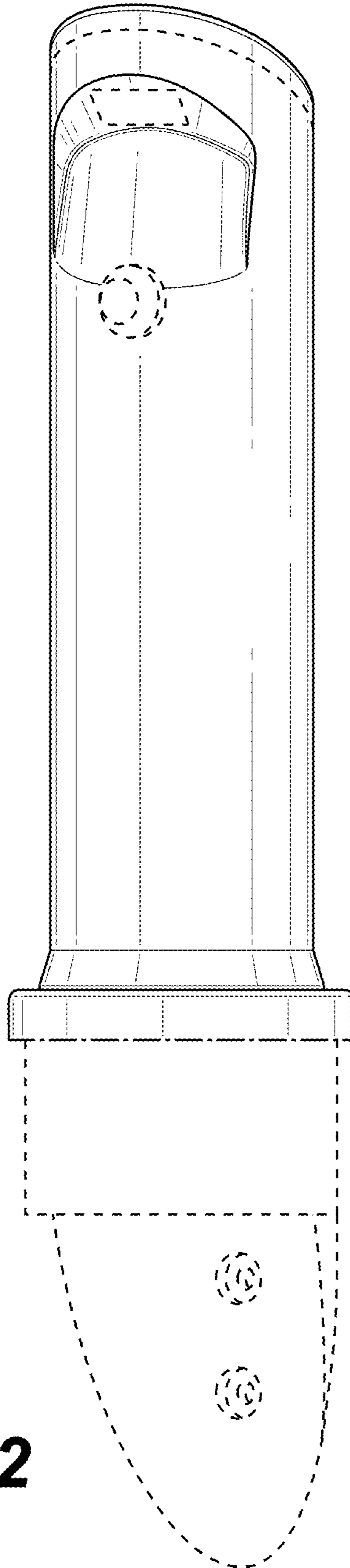
The broken lines of even length shown in the drawings illustrate portions of the compact path light that form no part of the claimed design. The broken lines of uneven length define the boundary of the claimed design.

**1 Claim, 8 Drawing Sheets**

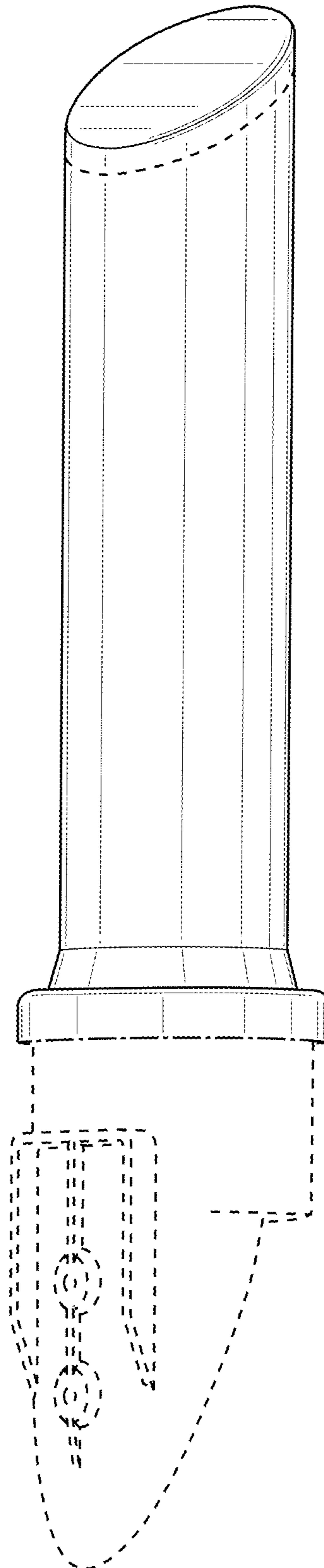




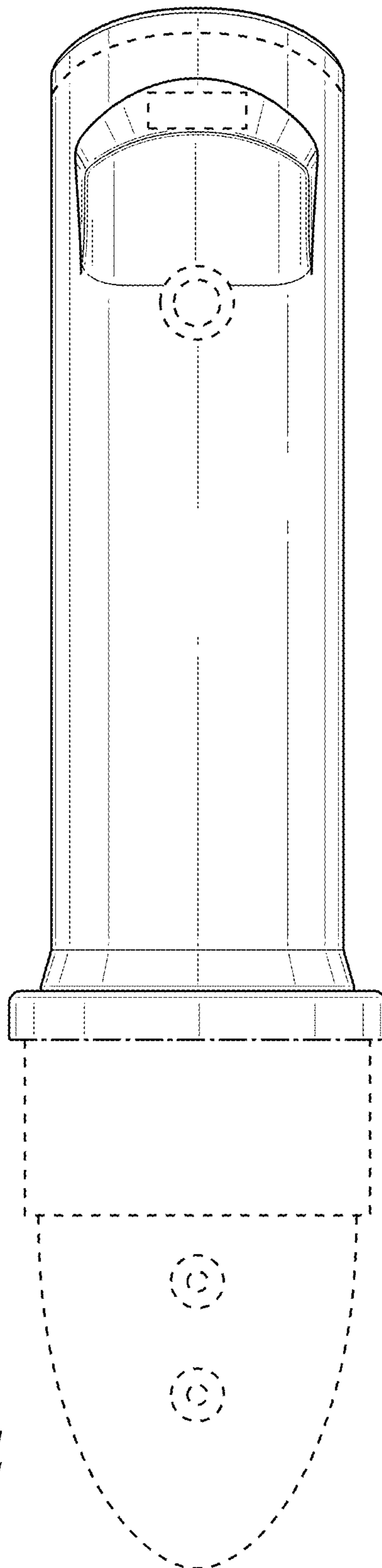
**FIG. 1**



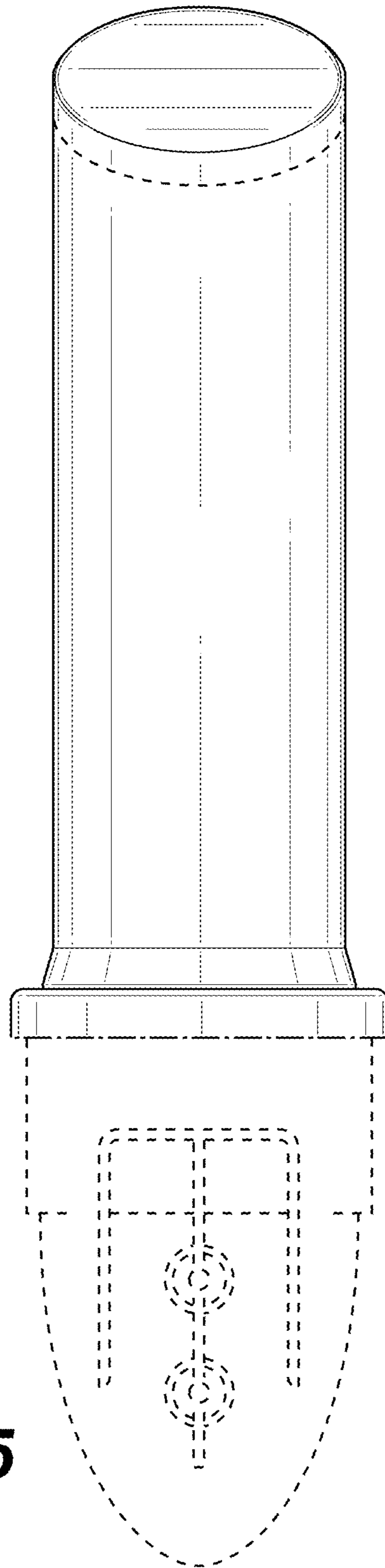
**FIG. 2**



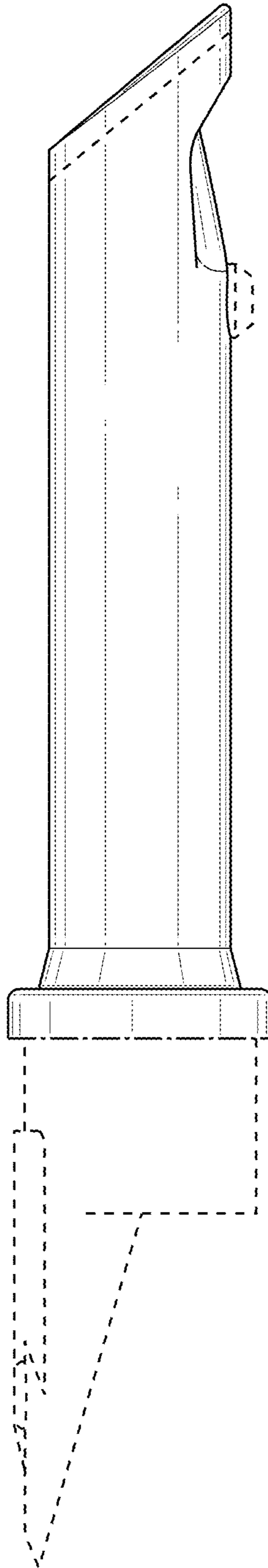
**FIG. 3**



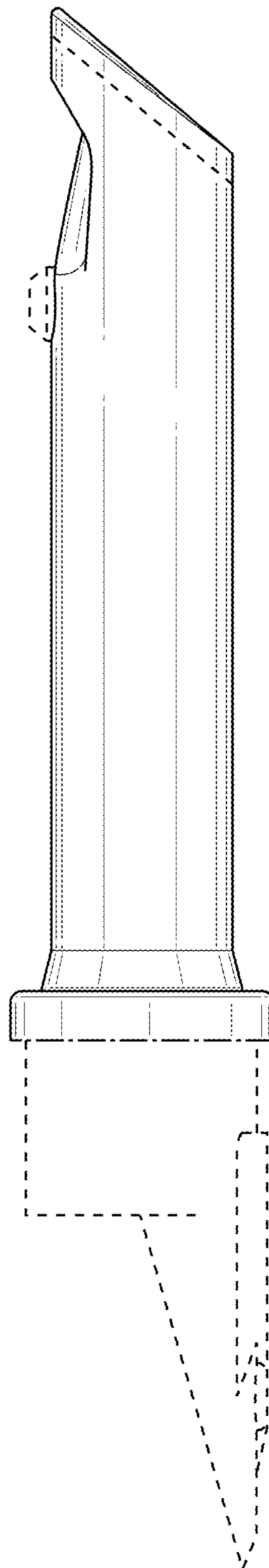
**FIG. 4**



**FIG. 5**

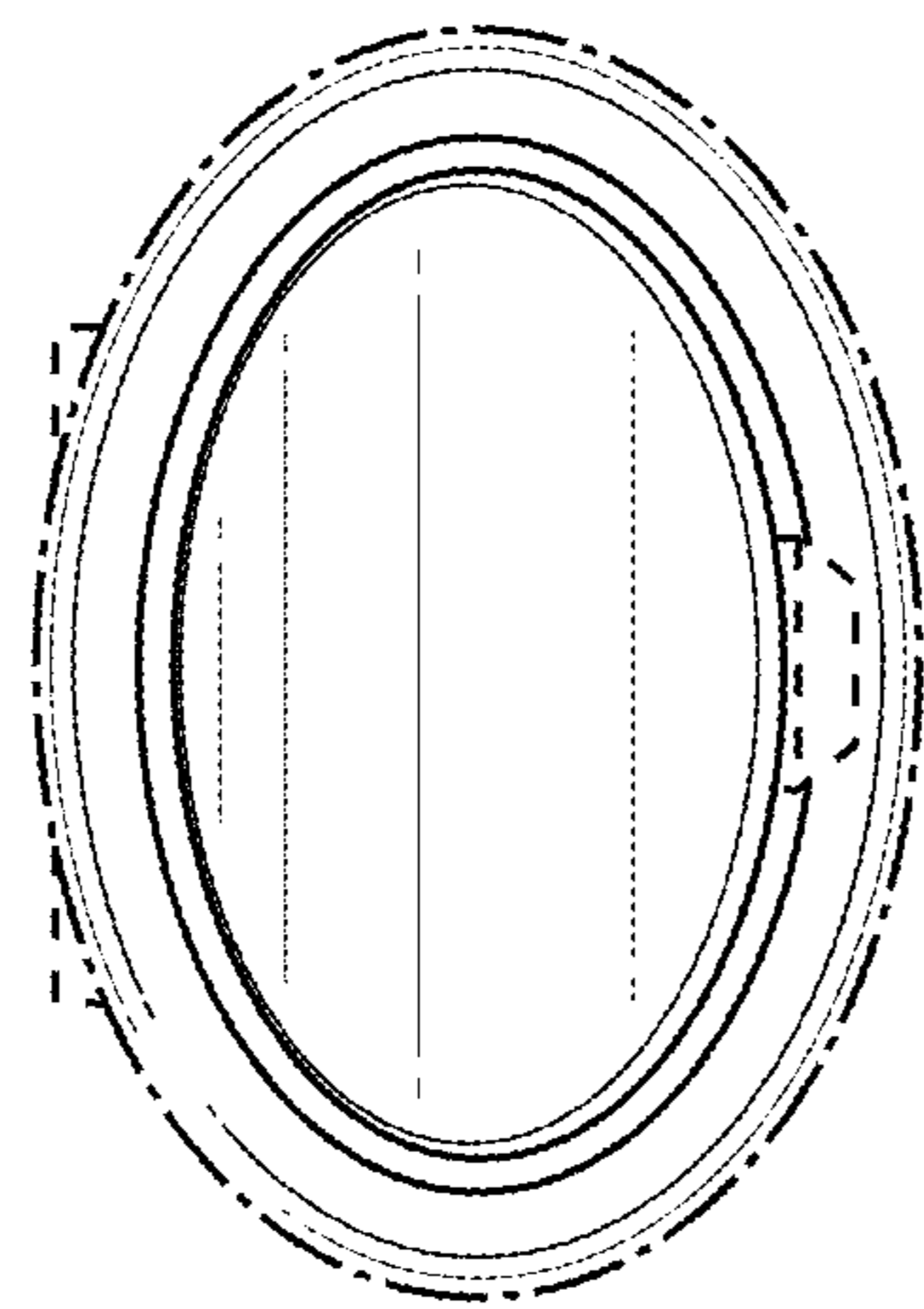


**FIG. 6**

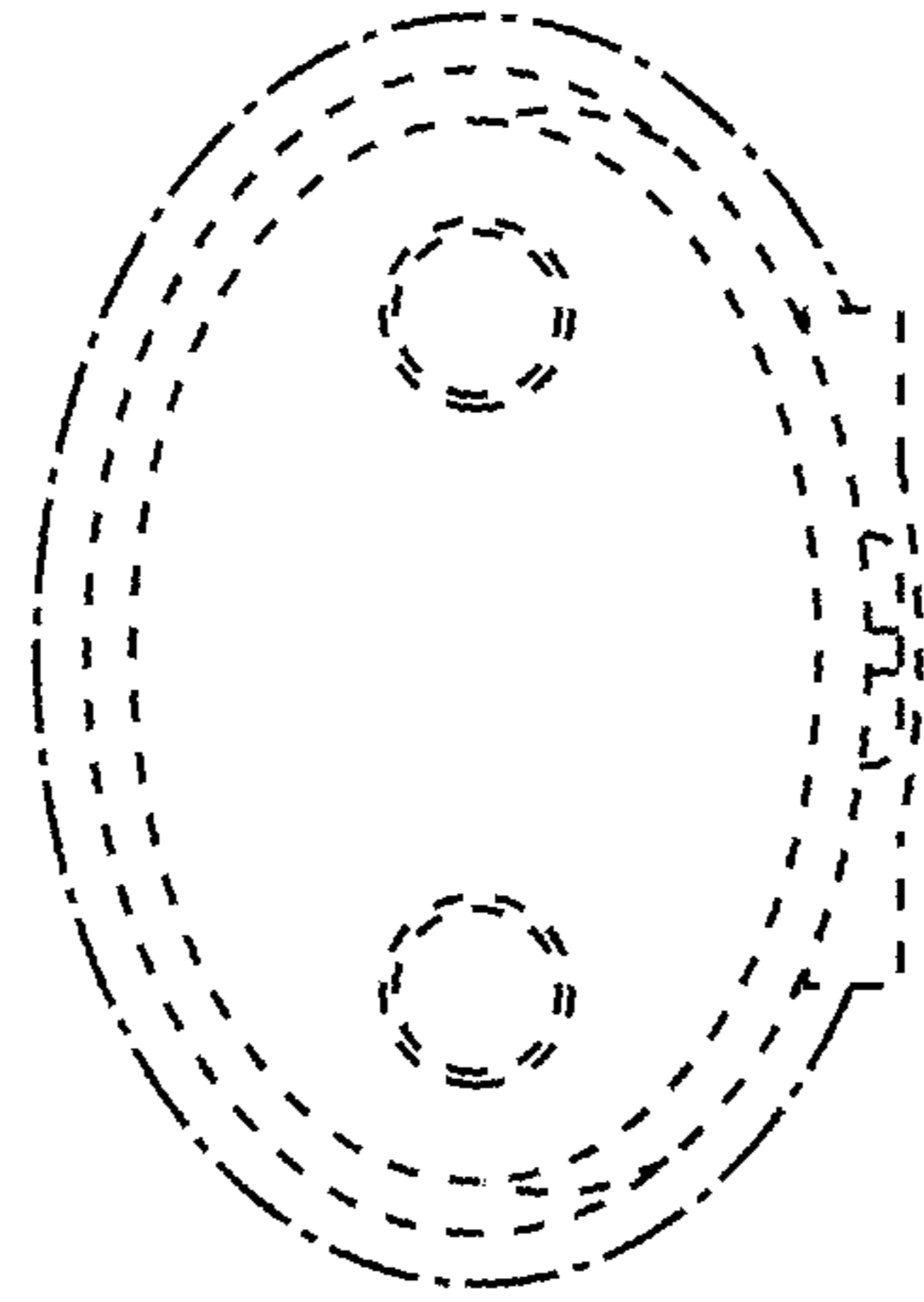


**FIG. 7**





**FIG. 8**



**FIG. 9**