



US00D778478S

(12) **United States Design Patent**
Khubani et al.

(10) **Patent No.:** **US D778,478 S**

(45) **Date of Patent:** **** Feb. 7, 2017**

(54) **LIGHT PROJECTOR**

(71) Applicant: **Telebrands Corp.**, Fairfield, NJ (US)

(72) Inventors: **Ajit Khubani**, Saddle River, NJ (US);
Yun Pan, Shenzhen (CN); **Damian Mucaro**, Hackensack, NJ (US)

(73) Assignee: **Telebrands Corp.**, Fairfield, NJ (US)

(**) Term: **15 Years**

(21) Appl. No.: **29/555,447**

(22) Filed: **Feb. 22, 2016**

Related U.S. Application Data

(63) Continuation-in-part of application No. 29/544,568, filed on Nov. 4, 2015, now Pat. No. Des. 766,484, and a continuation of application No. 29/526,591, filed on May 11, 2015, now Pat. No. Des. 766,483.

(51) **LOC (10) Cl.** **26-05**

(52) **U.S. Cl.**
USPC **D26/67**

(58) **Field of Classification Search**
USPC D26/63, 67-70; D10/113.2
CPC F21S 8/08; F21S 8/081; F21S 8/083;
F21S 8/088; F21S 9/03; F21S 9/032; F21S 9/035; F21S 9/037; F21S 6/003; F21S 6/004; F21S 6/005; F21W 2131/109; F21W 2111/023; F21V 21/0824

See application file for complete search history.

(56) **References Cited**

U.S. PATENT DOCUMENTS

3,104,064 A 9/1963 Bellek
D231,559 S 4/1974 Darling
D233,778 S * 11/1974 Kennedy et al. D26/29
D233,779 S * 11/1974 Kennedy et al. D26/63

D234,710 S 4/1975 Beeren
4,114,112 A 9/1978 Epstein
4,307,528 A 12/1981 Dewees
4,458,124 A 7/1984 Kroth
D278,215 S 4/1985 Patterson
4,557,055 A 12/1985 Arai

(Continued)

FOREIGN PATENT DOCUMENTS

CN 204141534 2/2015
CN 204141534 U 2/2015

(Continued)

OTHER PUBLICATIONS

International Search Report PCT/US2016/021354, published Jun. 30, 2016.

(Continued)

Primary Examiner — Clare E Heflin

(74) *Attorney, Agent, or Firm* — Cooper & Dunham, LLP

(57) **CLAIM**

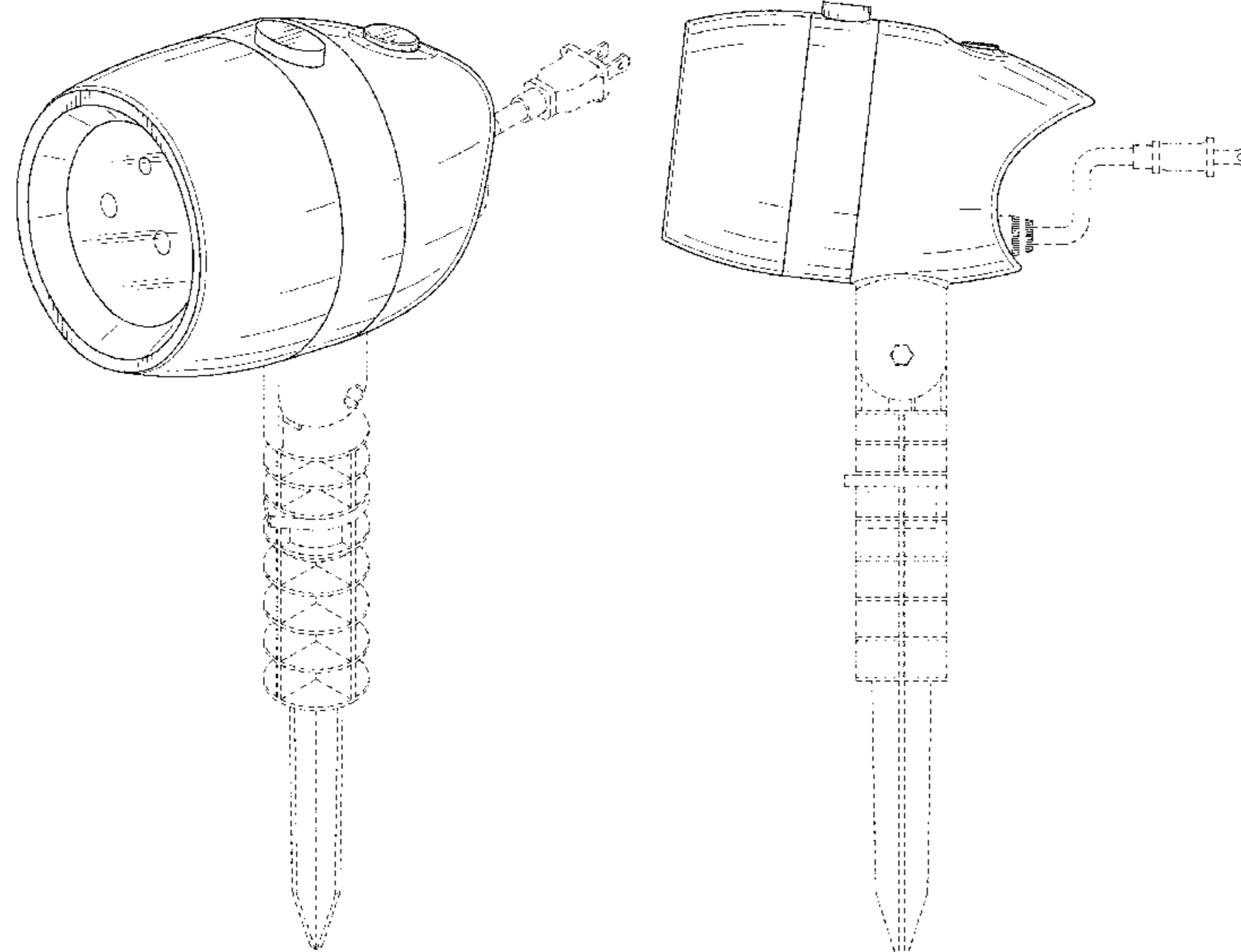
The ornamental design for a light projector, as shown and described.

DESCRIPTION

FIG. 1 is a front perspective view of a light projector in accordance with the present design;
FIG. 2 is a back perspective view thereof;
FIG. 3 is a front view thereof;
FIG. 4 is a back view thereof;
FIG. 5 is a right side view thereof;
FIG. 6 is a left side view thereof;
FIG. 7 is a top view thereof; and,
FIG. 8 is a bottom view thereof.

The broken lines shown on the drawings depict portions of the light projector that form no part of the claimed design.

1 Claim, 8 Drawing Sheets



(56)

References Cited

U.S. PATENT DOCUMENTS

D282,104 S 1/1986 Taylor
 4,779,176 A 10/1988 Bornhorst
 4,814,961 A 3/1989 O'Brien
 5,036,447 A 7/1991 Taylor
 D323,406 S 1/1992 Fisher
 5,086,379 A 2/1992 Denison
 D328,147 S * 7/1992 Gecchelin D26/63
 D333,526 S 2/1993 Taylor
 D333,529 S * 2/1993 Denison D26/63
 5,280,417 A 1/1994 Hall
 5,367,349 A 11/1994 Zeiler
 5,398,180 A 3/1995 Lee
 5,459,539 A 10/1995 Yamamoto
 D365,169 S 12/1995 Fillipp
 D370,070 S 5/1996 Kay
 5,613,799 A 3/1997 Guide
 5,626,418 A 5/1997 Angelis
 D414,579 S 9/1999 Denison
 5,971,545 A 10/1999 Haitz
 6,000,813 A 12/1999 Krietzman
 6,145,228 A 11/2000 LaChance
 D437,071 S * 1/2001 Andrus D26/63
 D438,999 S 3/2001 Bossy
 6,304,237 B1 10/2001 Karakawa
 D482,476 S * 11/2003 Kwong D26/63
 6,722,771 B1 4/2004 Stephens
 6,874,893 B2 4/2005 Park
 D506,282 S * 6/2005 Benghozi D26/128
 D506,283 S * 6/2005 Benghozi D26/128
 D541,966 S * 5/2007 Benghozi D26/128
 D550,877 S 9/2007 Mullen
 D551,789 S 9/2007 Mullen
 7,369,584 B2 5/2008 Goldman
 D574,532 S 8/2008 Lee
 D577,453 S * 9/2008 Metlen D26/63
 D589,191 S 3/2009 Sabernig
 D604,882 S * 11/2009 Mier-Langner D26/63
 RE41,050 E 12/2009 Panasewicz
 D605,325 S 12/2009 Sanoner
 7,641,345 B2 1/2010 Johnson
 D616,586 S 5/2010 Sabernig
 D619,289 S * 7/2010 You D26/63
 D619,290 S * 7/2010 You D26/63
 D625,871 S * 10/2010 Huang D26/63
 7,832,918 B2 11/2010 Chien
 D632,414 S * 2/2011 Croce D26/63
 8,003,886 B1 8/2011 Rintz
 D649,671 S * 11/2011 Ferro D26/63
 8,057,045 B2 11/2011 Johnson
 8,100,537 B2 1/2012 Johnson
 8,100,538 B2 1/2012 Kuroda
 D659,871 S * 5/2012 Lee D26/63
 D667,981 S * 9/2012 Connolly D26/63
 8,297,825 B2 10/2012 Onishi
 8,303,129 B1 11/2012 Thielen
 8,366,292 B2 2/2013 McDermott
 8,376,574 B2 2/2013 Spartano
 8,436,553 B2 5/2013 Zampini
 8,480,233 B2 7/2013 Smith
 8,693,513 B2 4/2014 Achtenhagen
 8,721,160 B2 5/2014 Chien
 D723,726 S 3/2015 Reed
 D738,023 S 9/2015 Rosello Gratacos
 2002/0101571 A1 8/2002 Panasewicz
 2003/0189825 A1 10/2003 Tauch
 2004/0119951 A1 6/2004 Vitantonio
 2005/0024863 A1 2/2005 Phipps
 2006/0158138 A1 7/2006 Walter
 2006/0198153 A1 9/2006 Chien
 2007/0064290 A1 3/2007 Hochenbleicher
 2008/0316732 A1 12/2008 Blake
 2009/0122564 A1 5/2009 Beadle
 2009/0168026 A1 7/2009 Chen
 2010/0053969 A1 3/2010 Weinheimer
 2014/0036487 A1 8/2012 Adams

2013/0088723 A1 4/2013 Feldkhun
 2013/0257297 A1 10/2013 Schmidt
 2015/0035437 A1 2/2015 Panopoulos
 2015/0159842 A1 6/2015 Zhang

FOREIGN PATENT DOCUMENTS

CN 303234579 S 6/2015
 CN 204629169 U 9/2015
 EP 1 024 399 2/2000
 WO WO 2015/094009 6/2015
 WO WO 2015/143450 9/2015
 WO WO 2015/149877 10/2015

OTHER PUBLICATIONS

Written Opinion of International Search Authority PCT/US2016/021354, published Jun. 30, 2016.
 SeresRoad Outdoor Waterproof Star Projector, Landscape Projector, available at www.amazon.com, accessed on Nov. 13, 2015.
 Us-vision AGO-20RG Modern Outdoor/ Indoor 20 Patterns Gobos RG Laser Projector, available at www.amazon.com, accessed Nov. 13, 2015.
 Sminiker Outdoor Laser Light Sparkle Magic Lights Landscape Light Holiday Light, available at www.amazon.com, accessed Nov. 13, 2015.
 Us-vision Outdoor Holiday Waterproof Green Laser Lighting Show, available at www.amazon.com, accessed Nov. 13, 2015.
 Improvements All-metal 4-in-1 Projection Light with Remote, available at www.amazon.com, accessed Nov. 13, 2015.
 KLAREN Color Laser Light Projector—Improvements, available at www.amazon.com, accessed Nov. 13, 2015.
 Light Flurries, available at www.lightflurries.com, accessed Mar. 17, 2016.
 Mr. Christmas Super Green Laser Light Show, available at www.amazon.com, accessed May 2, 2016.
 BlissLights Motion Laser, available at www.amazon.com, accessed May 2, 2016.
 Color Laser Lights Instructions, published 2014.
 BlissLights Spright Smart User Guide, published 2014.
 Blisslights Spright Spring Smart Outdoor Indoor Firefly Light Projector with Timer, available at www.amazon.com, accessed May 2, 2016.
 Outdoor Indoor Spright Smart Firefly Light with Timer Green, available at www.amazon.com, accessed May 2, 2016.
 International Search Report PCT/US2016/021347, published May 17, 2016.
 Written Opinion of International Search Authority PCT/US2016/021347, published May 17, 2016.
 International Search Report PCT/US2016/021338, published May 16, 2016.
 Written Opinion of International Search Authority PCT/US2016/021338, published May 16, 2016.
 Laser Light, available at www.amazon.com, accessed on Nov. 13, 2015.
 Night Stars, available at www.amazon.com, accessed Nov. 13, 2015.
 Poeland Garden Laser Landscape, available at www.amazon.com, accessed Nov. 13, 2015.
 Remote Controllable RGB Laser, available at www.amazon.com, accessed Nov. 13, 2015.
 Newest Garden Tree and Outdoor Wall Decoration Laser, available at www.amazon.com, accessed Nov. 13, 2015.
 Pepnice Red and Green Firefly Laser Light, available at www.amazon.com, accessed Nov. 13, 2015.
 KLAREN Color Laser Light Projector, available at www.amazon.com, accessed Nov. 13, 2015.
 Garden Tree and Outdoor Wall Decoration Laser Lights for Holiday Lighting, available at www.amazon.com, accessed Nov. 13, 2015.
 Green and Red Light Garden Tree and Outdoor Wall Decoration Laser Lights, available at www.amazon.com, accessed Nov. 13, 2015.

(56)

References Cited

OTHER PUBLICATIONS

Moving Red and Green 2 Color Laser Landscape Projector Light w/
Remote, available at www.amazon.com, accessed Nov. 13, 2015.

* cited by examiner

FIG. 1

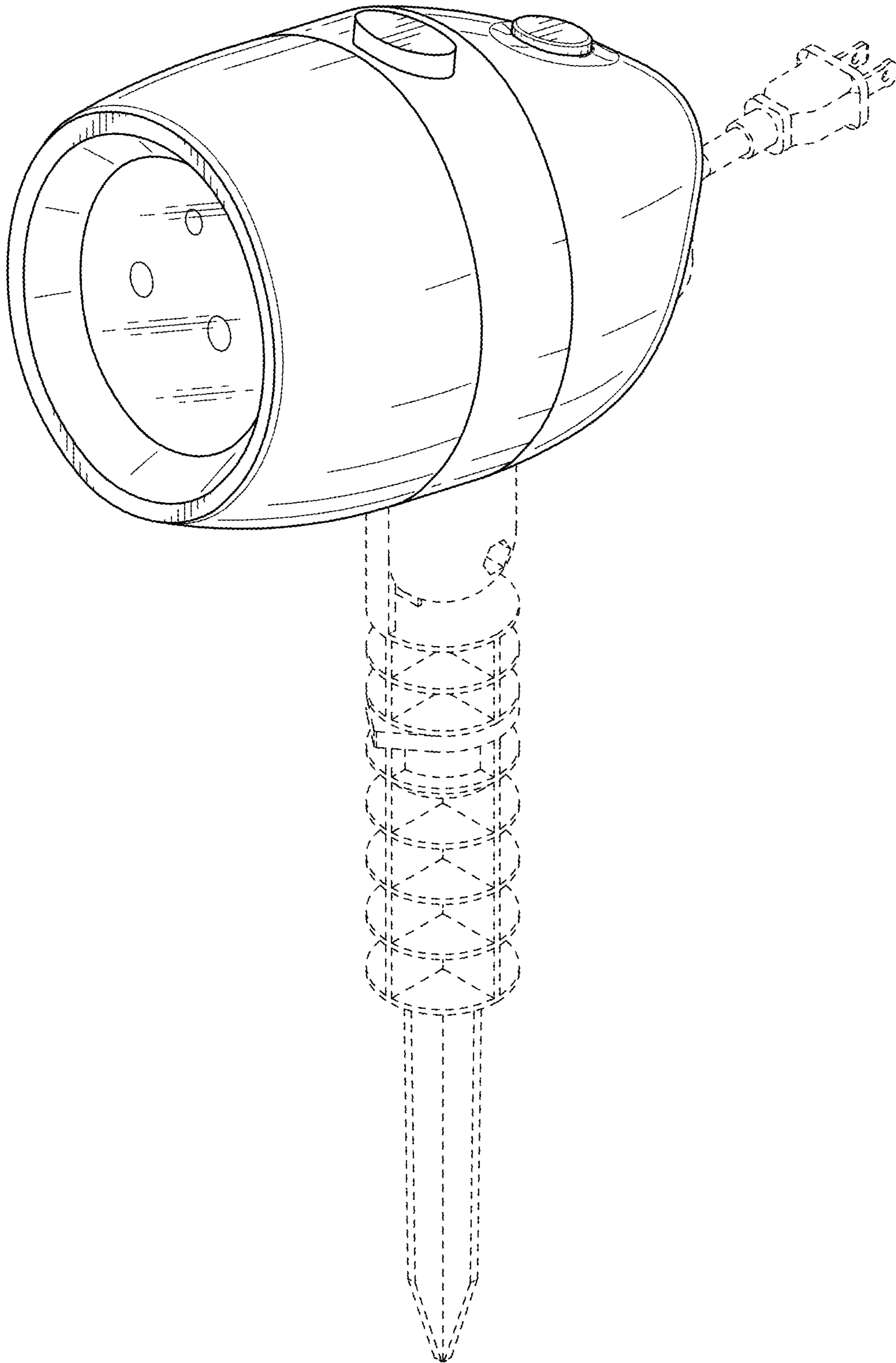


FIG. 2

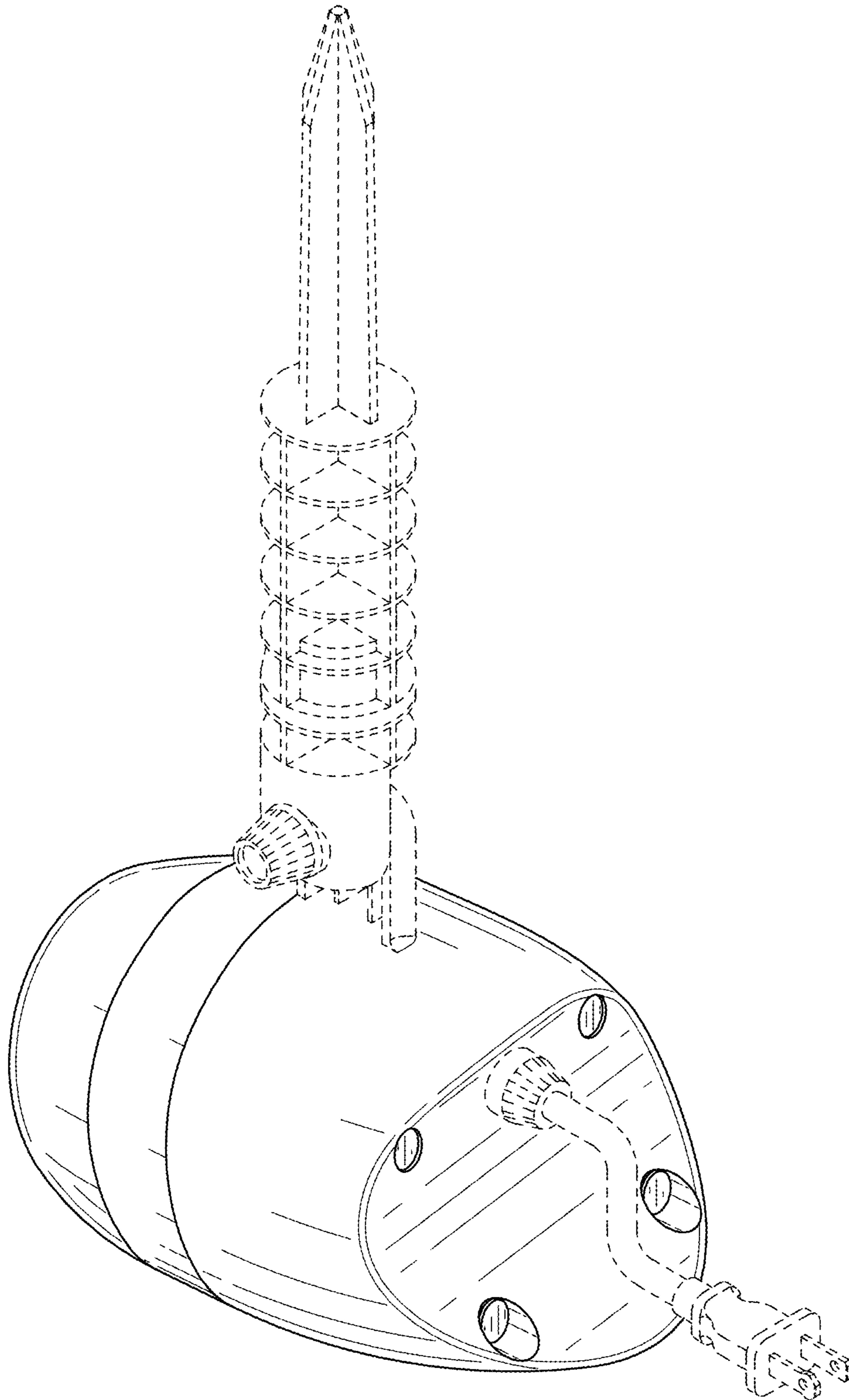


FIG. 3

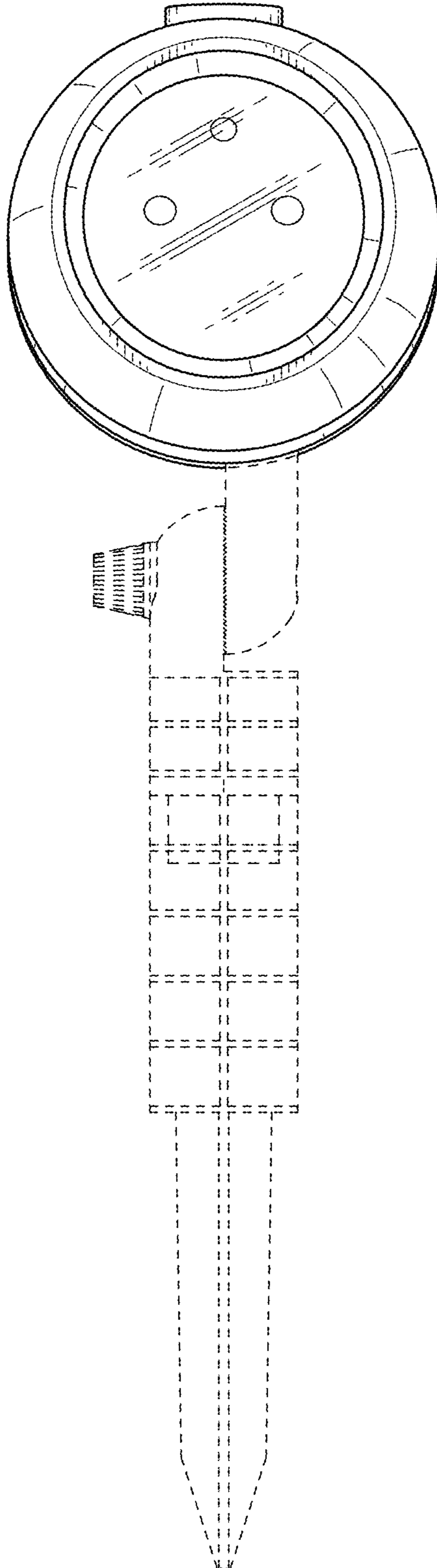


FIG. 4

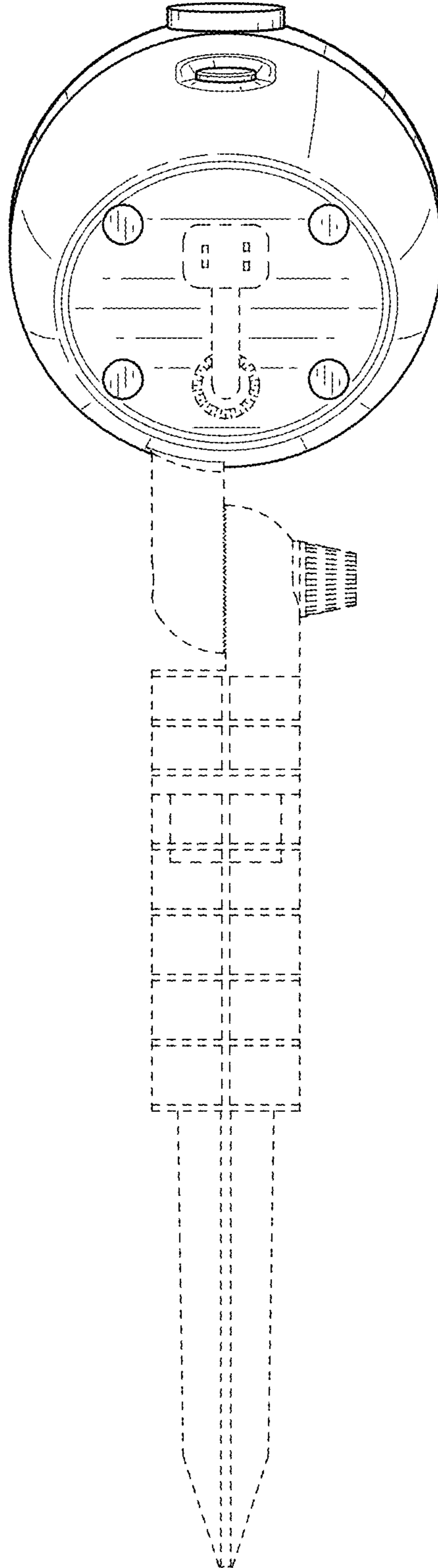


FIG. 5

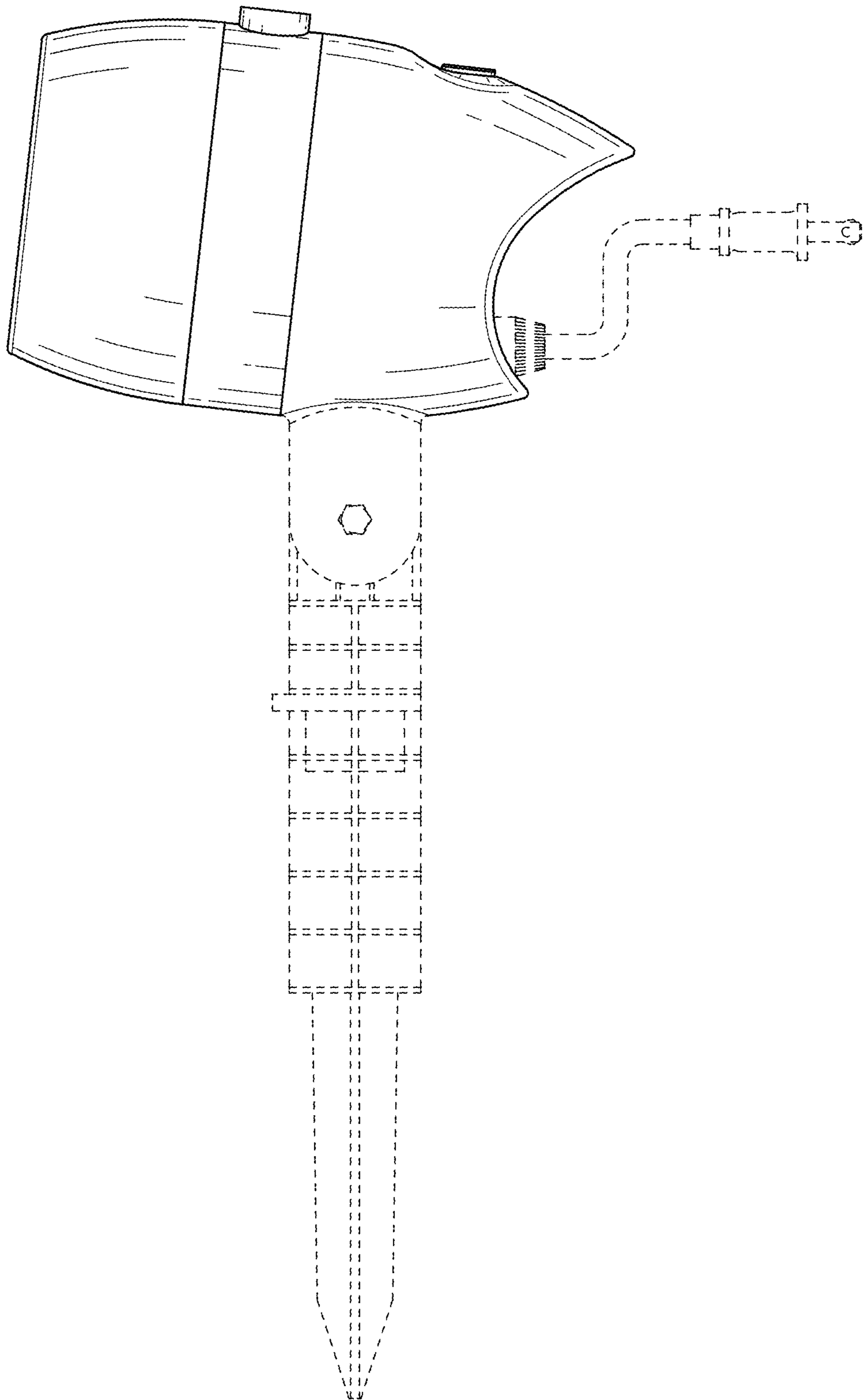


FIG. 6

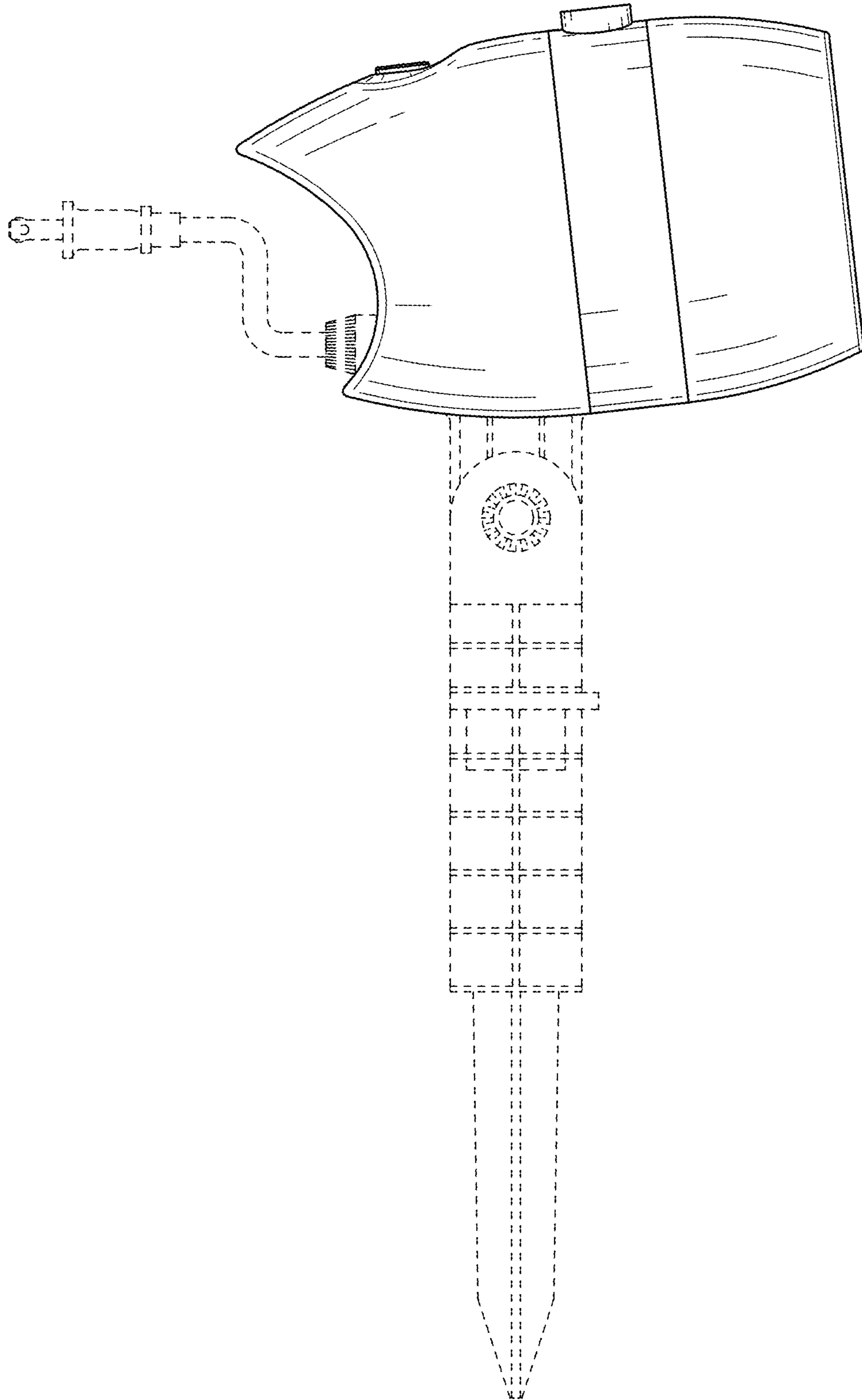


FIG. 7

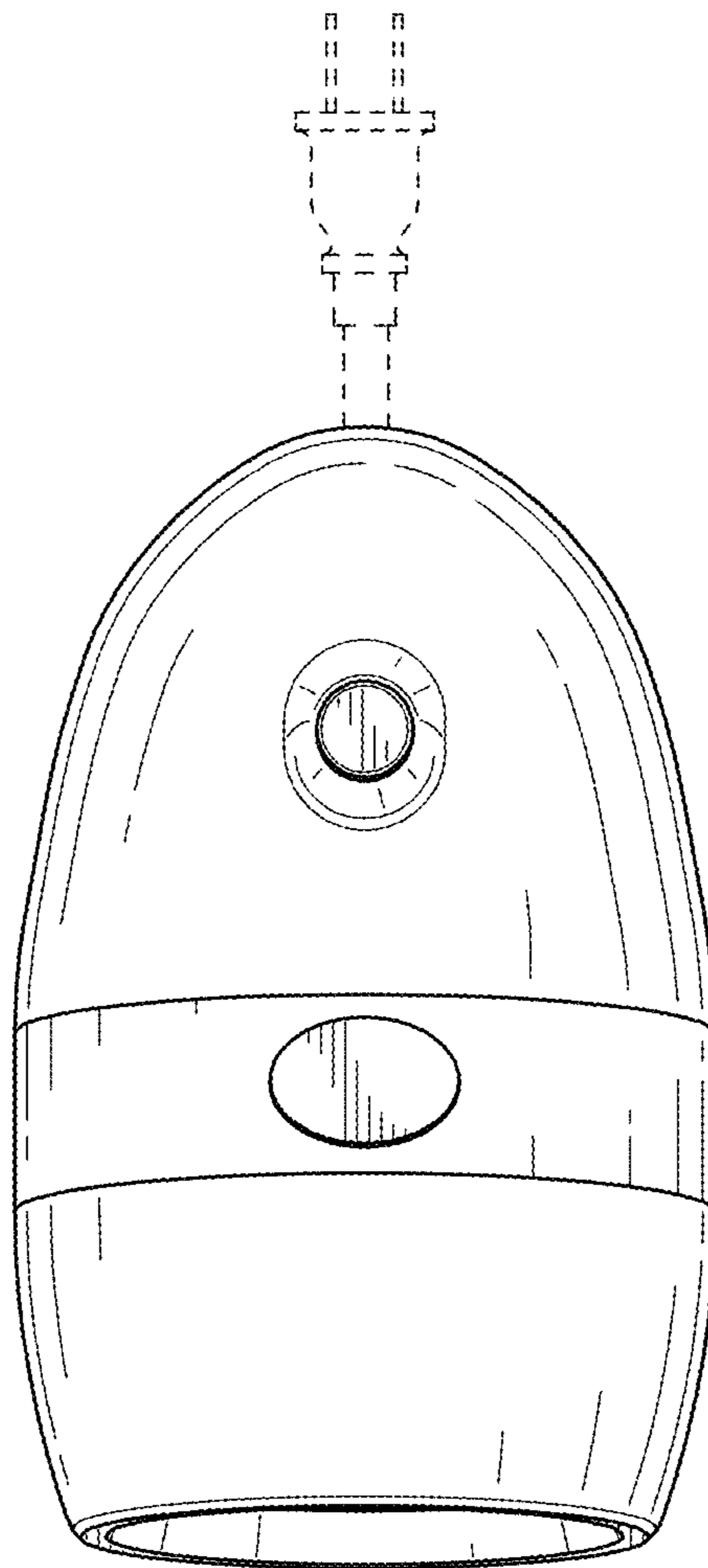


FIG. 8

