



US00D778477S

(12) **United States Design Patent**  
**Hsiao**

(10) **Patent No.:** **US D778,477 S**

(45) **Date of Patent:** **\*\* Feb. 7, 2017**

(54) **SELF-CONTAINED LED MARINE LANTERN**

(71) Applicant: **Yu Hsiang Hsiao**, Keelung (TW)

(72) Inventor: **Yu Hsiang Hsiao**, Keelung (TW)

(\*\*) Term: **15 Years**

(21) Appl. No.: **29/552,327**

(22) Filed: **Jan. 21, 2016**

(51) **LOC (10) Cl.** ..... **26-05**

(52) **U.S. Cl.**  
USPC ..... **D26/67**

(58) **Field of Classification Search**  
USPC ..... D26/40, 63, 67-70; D10/113.2  
CPC ..... F21S 8/08; F21S 8/081; F21S 8/083;  
F21S 8/088; F21S 9/03; F21S  
9/032; F21S 9/035; F21S 9/037; F21W  
2131/109; F21W 2111/023; F21V 21/0824  
See application file for complete search history.

(56) **References Cited**

**U.S. PATENT DOCUMENTS**

D518,211 S *	3/2006	Krieger	.....	D26/40
D520,163 S *	5/2006	Krieger	.....	D26/40
D599,495 S *	9/2009	Xiao	.....	D26/67
2002/0053879 A1 *	5/2002	Thoma	.....	H05B 37/00 315/86
2004/0095777 A1 *	5/2004	Trenchard	.....	B63B 45/04 362/477
2006/0109647 A1 *	5/2006	Liu	.....	F21S 9/037 362/183
2007/0091594 A1 *	4/2007	Soon	.....	F21L 4/00 362/183
2007/0236923 A1 *	10/2007	Fan	.....	F21S 9/037 362/183
2007/0285023 A1 *	12/2007	Cooper	.....	F21L 4/00 315/149

2008/0137350 A1 *	6/2008	Tian	.....	B63B 45/00 362/362
2014/0362564 A1 *	12/2014	Giblett	.....	F21S 9/035 362/183
2016/0040841 A1 *	2/2016	Martzall	.....	F21V 23/04 362/183

**OTHER PUBLICATIONS**

LED Solar Powered Marine Lantern #AH-LS/C-6 from Anhang Technology Co. (HK) ; website visited Sep. 16, 2016. (1 page).\*  
Solar Powered LED Marine Navigation Lantern #SLC-310 found at premiermaterials.com visited Sep. 16, 2016.(2 pages).\*

\* cited by examiner

*Primary Examiner* — Clare E Heflin  
(74) *Attorney, Agent, or Firm* — Chun-Ming Shih

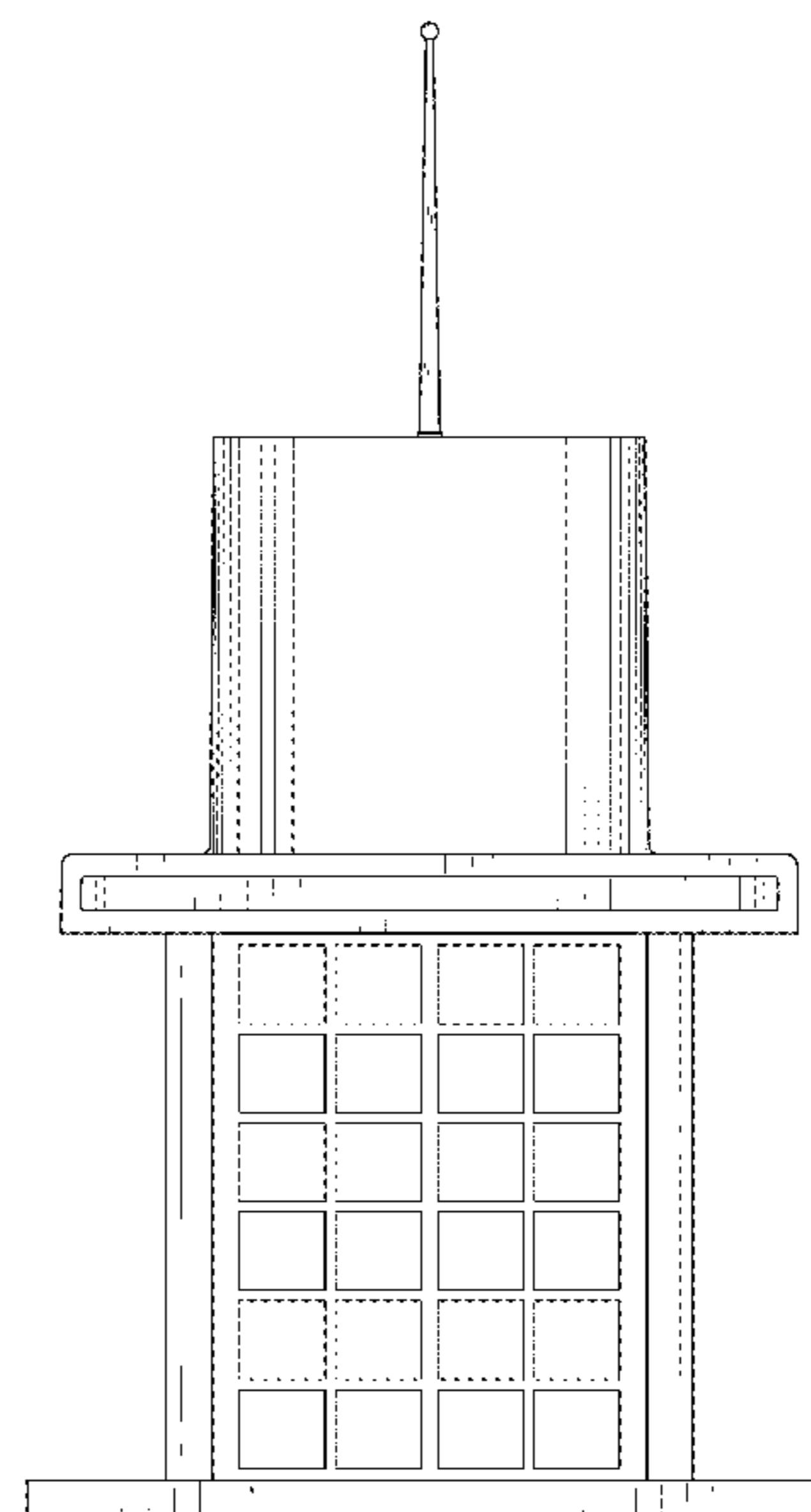
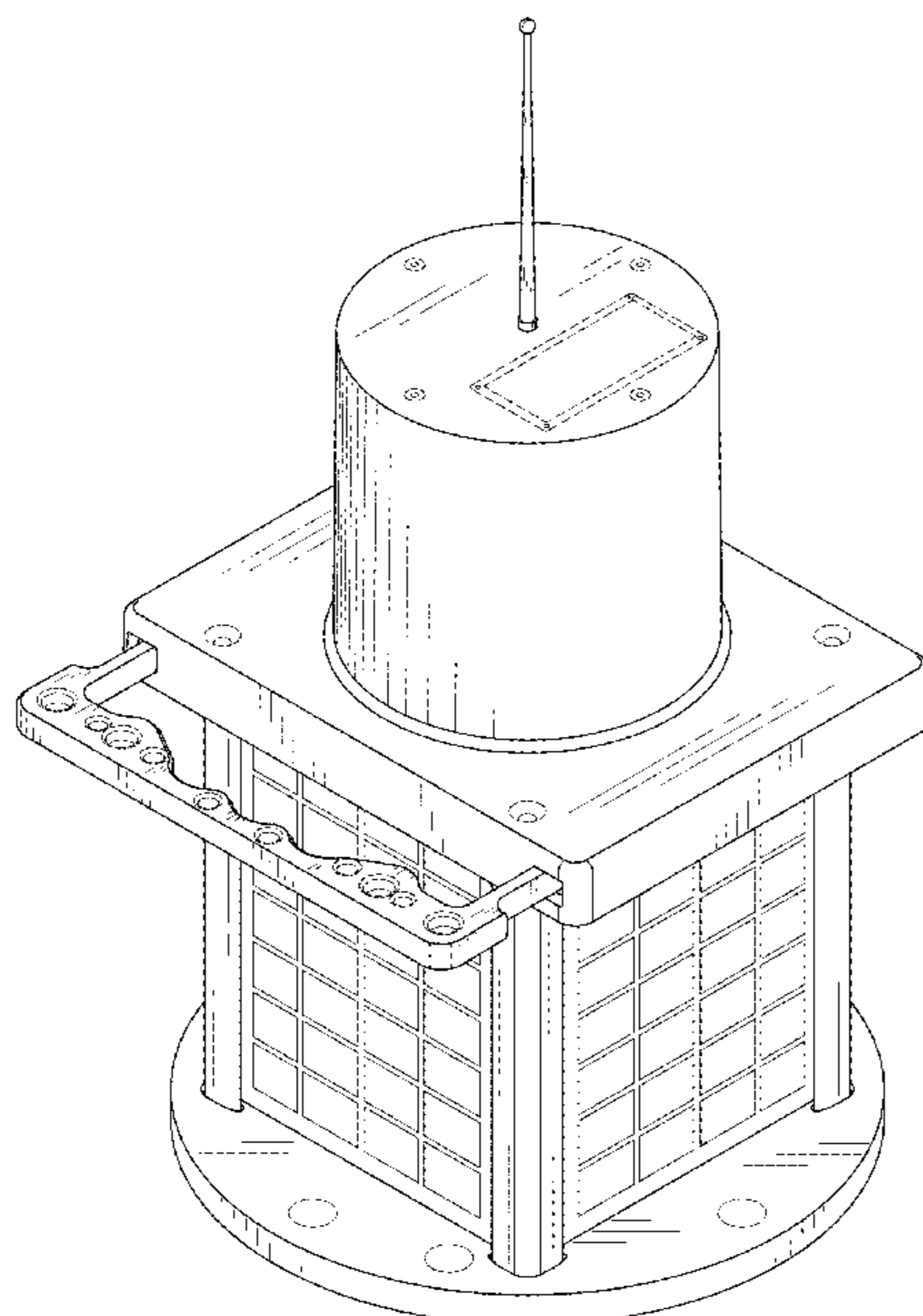
(57) **CLAIM**

The ornamental design for a self-contained LED marine lantern, as shown and described.

**DESCRIPTION**

FIG. 1 is a perspective view of a self-contained LED marine lantern showing my new design;  
FIG. 2 is a front view thereof;  
FIG. 3 is a rear view thereof;  
FIG. 4 is a left side view thereof;  
FIG. 5 is a right side view thereof;  
FIG. 6 is a top view thereof;  
FIG. 7 is a bottom view thereof; and,  
FIG. 8 is a perspective view showing a handle of the self-contained LED marine lantern in FIG. 1 being retracted. The broken lines shown on the drawings depict portions of the lantern that form no part of the claimed design.

**1 Claim, 8 Drawing Sheets**



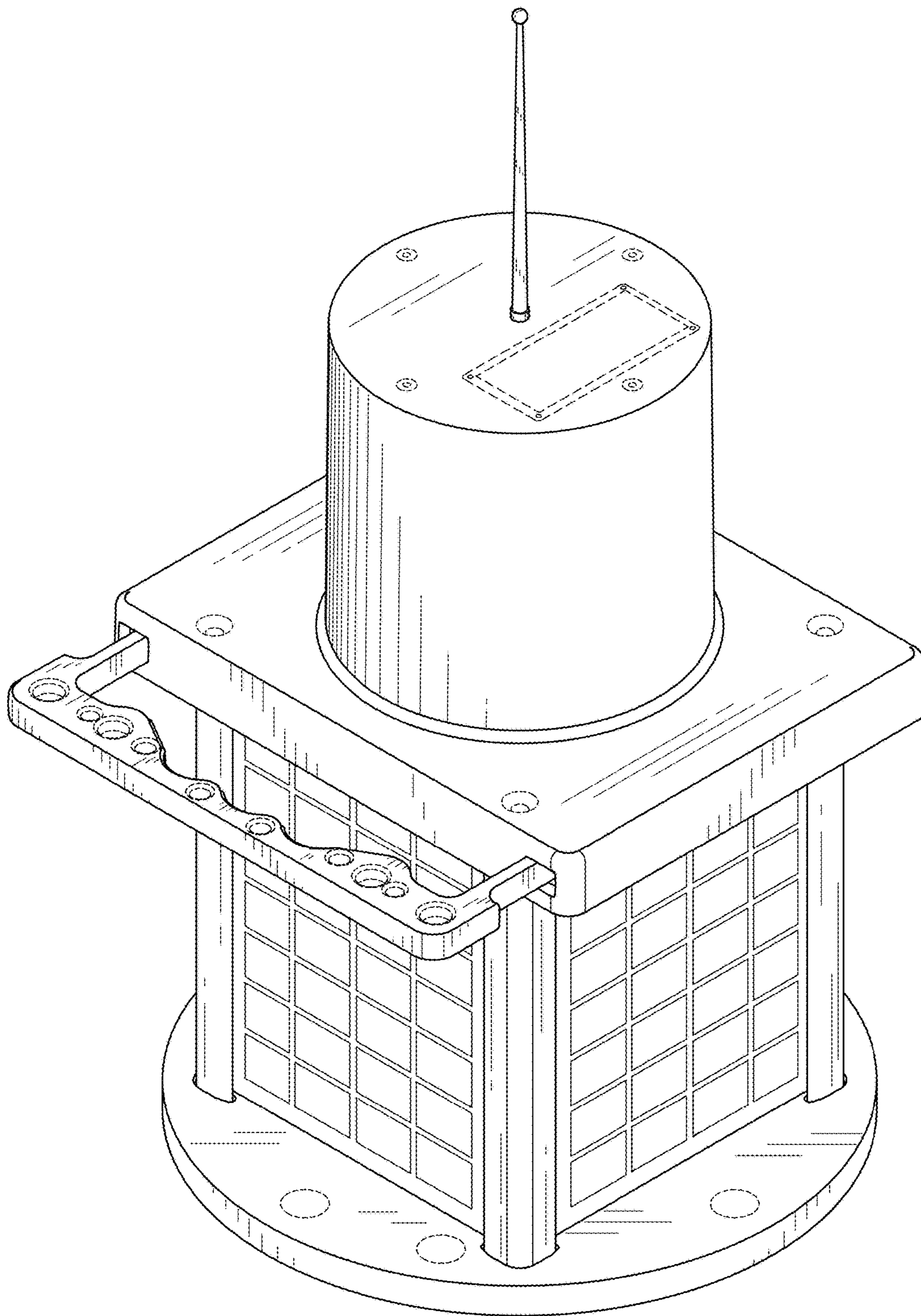


FIG. 1

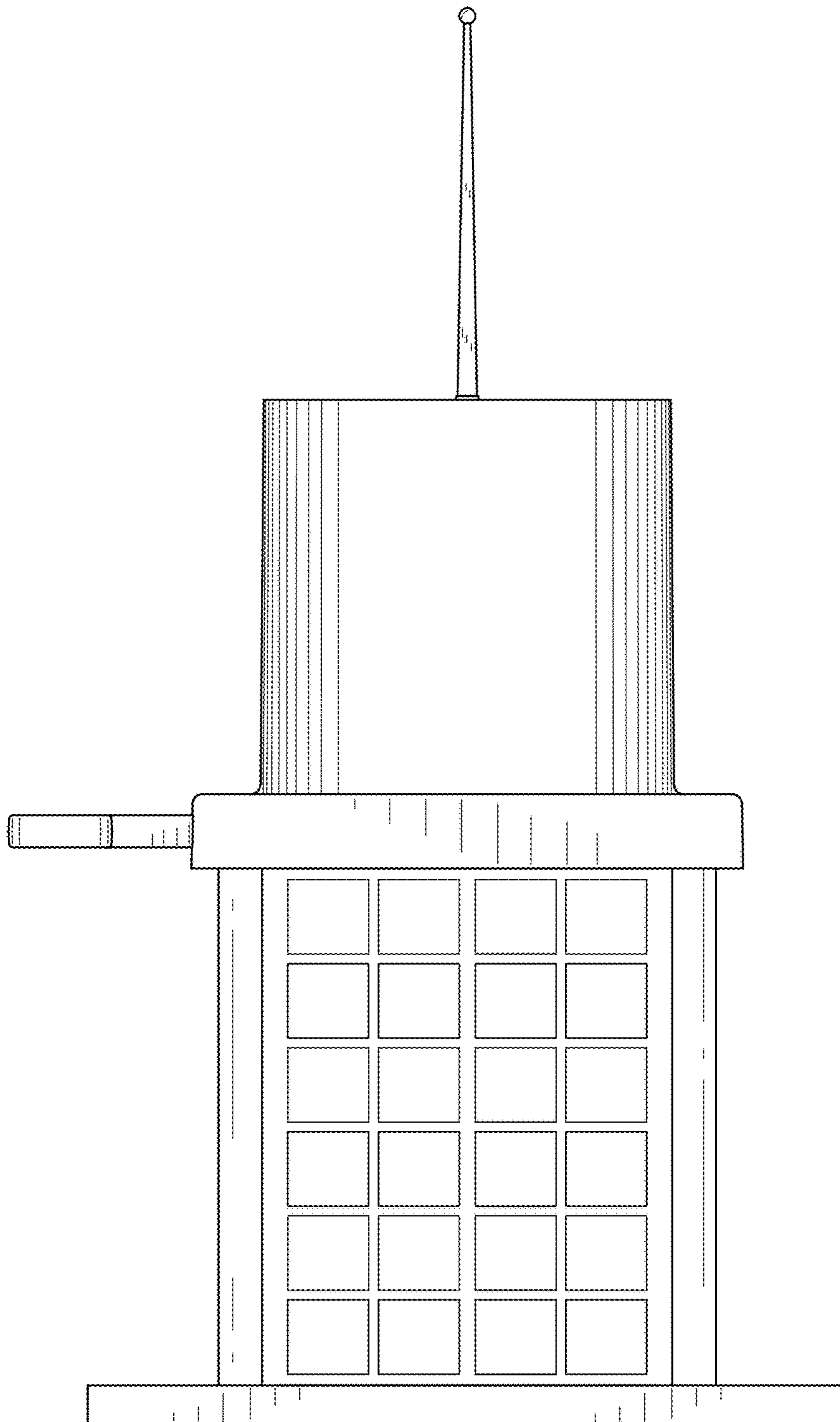


FIG. 2

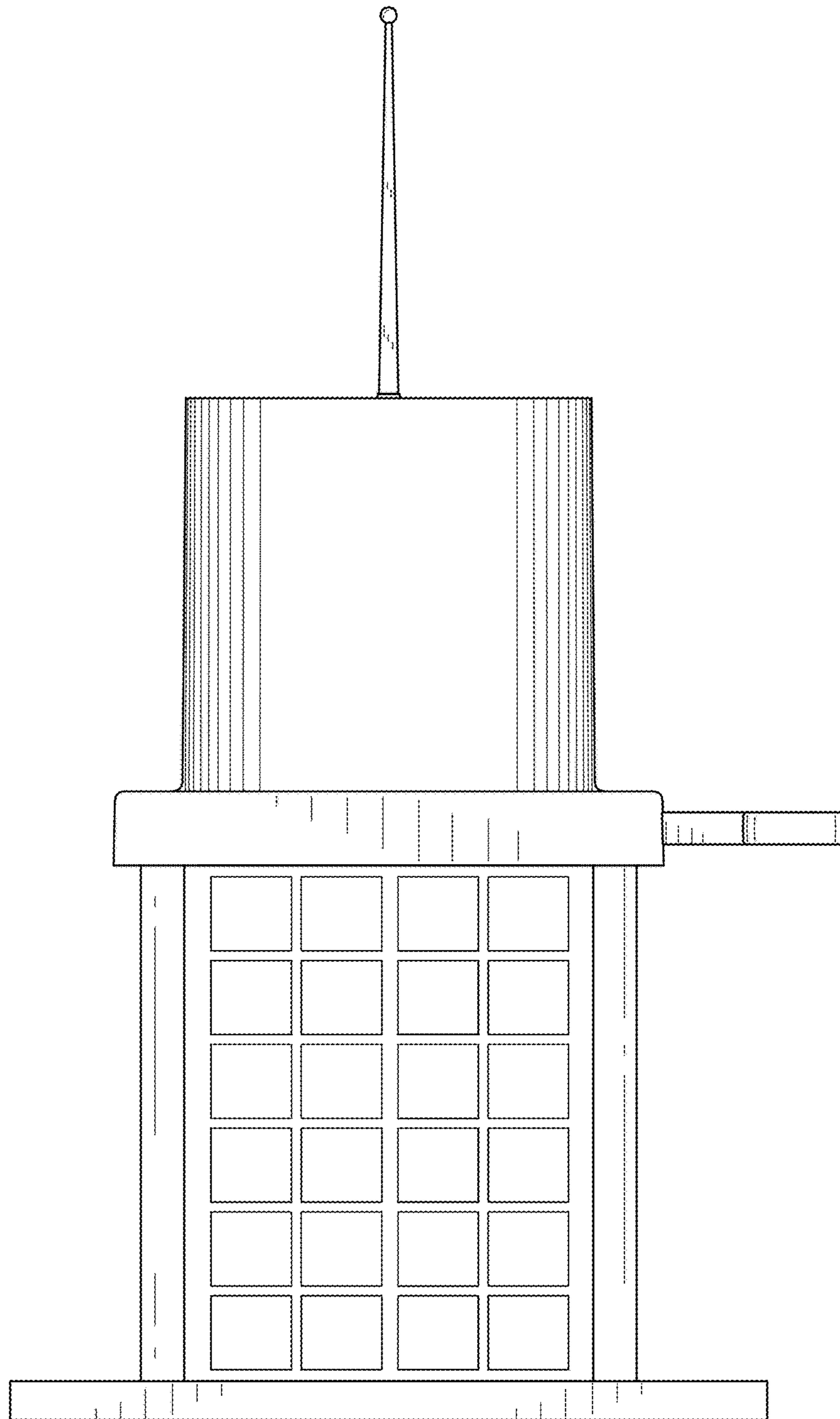


FIG. 3

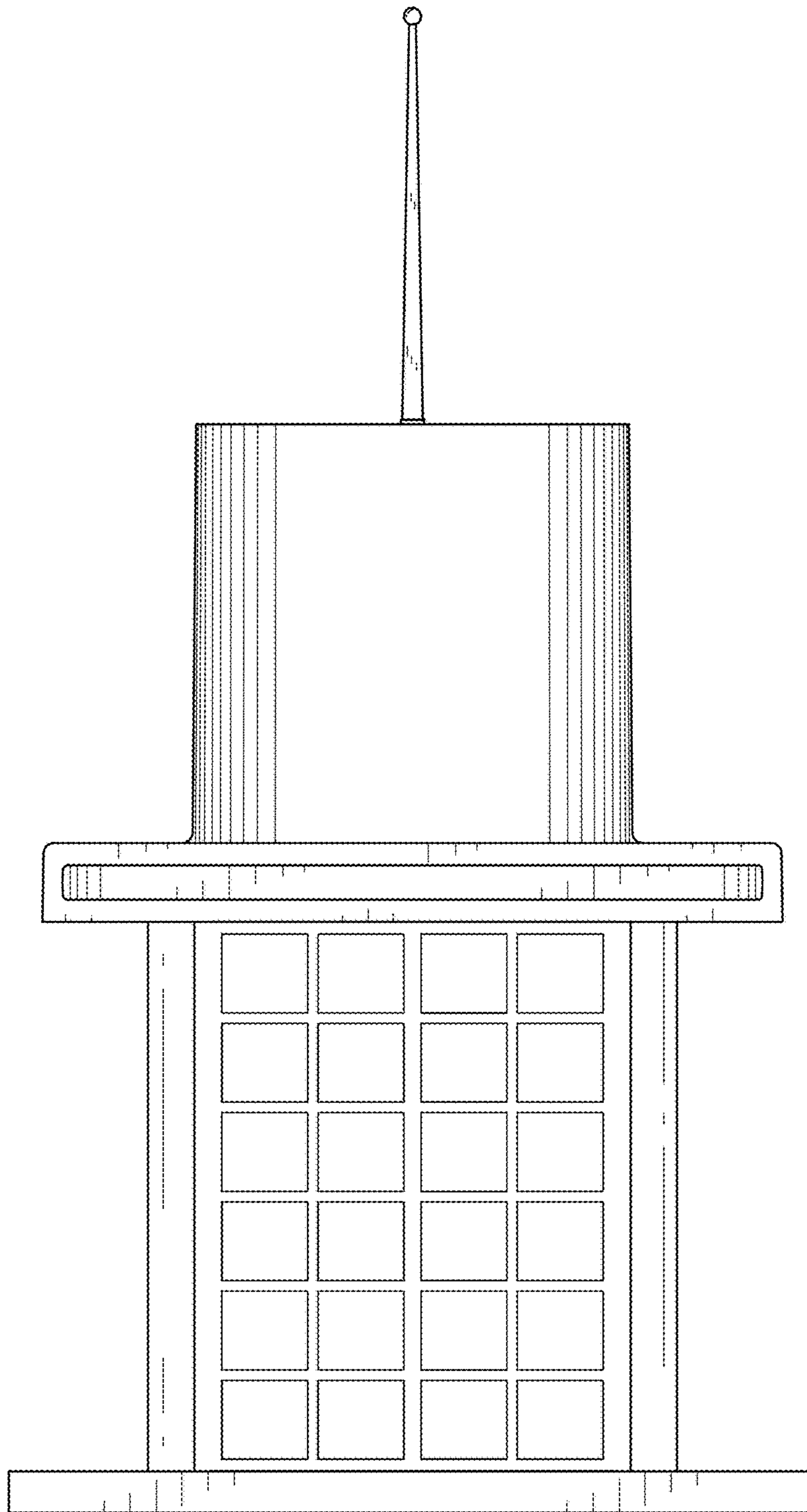


FIG. 4

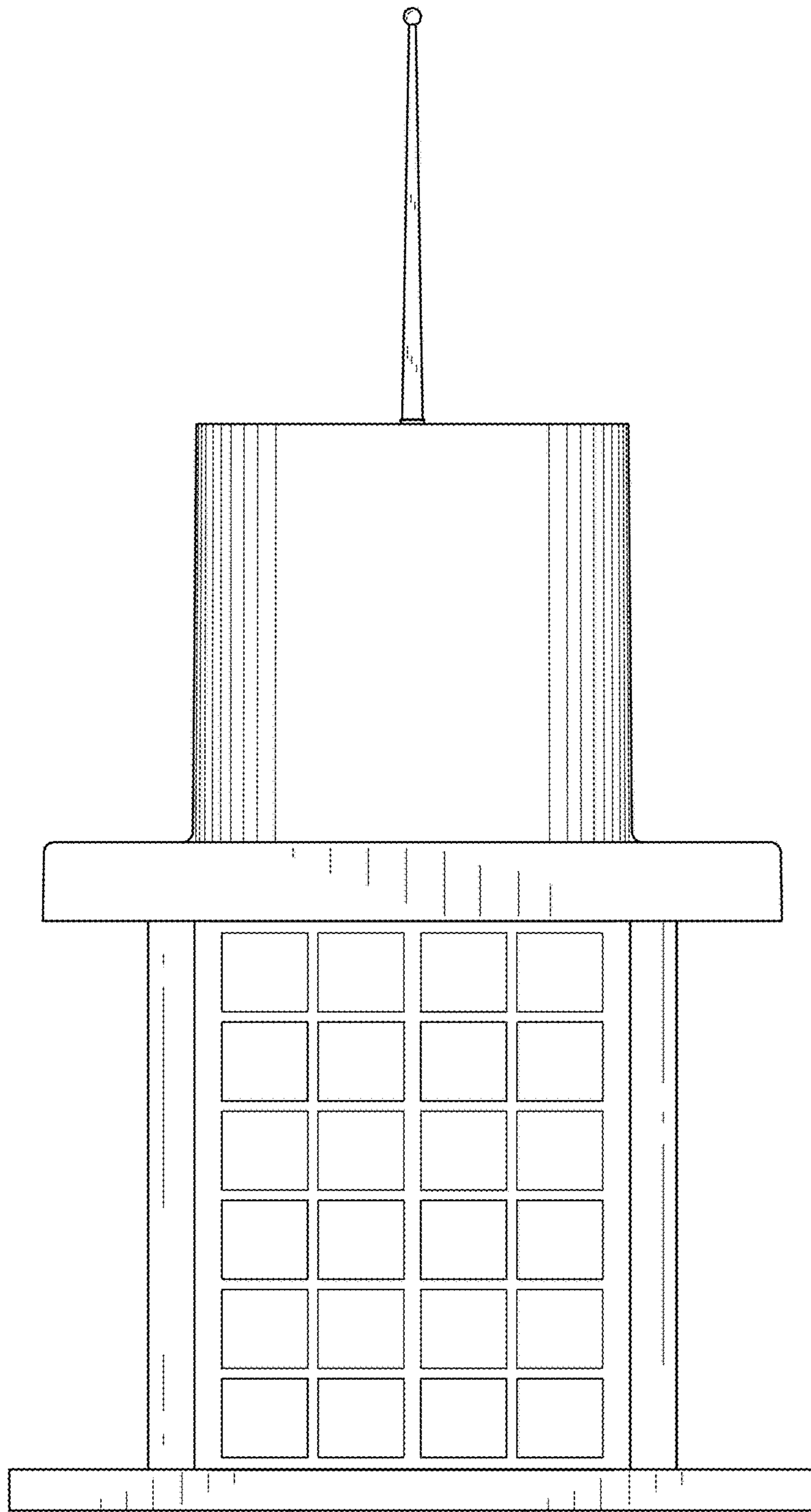


FIG. 5

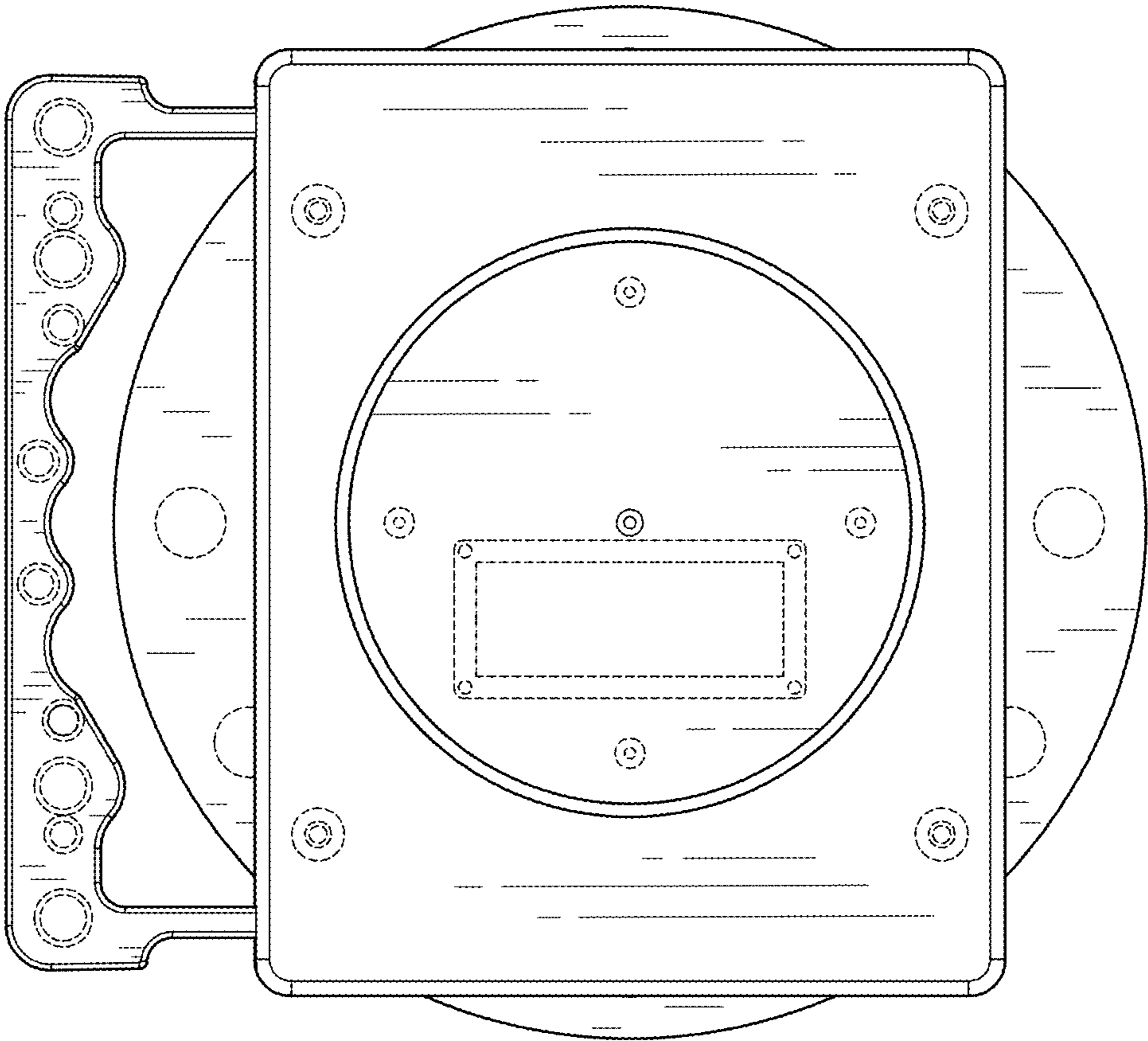


FIG. 6

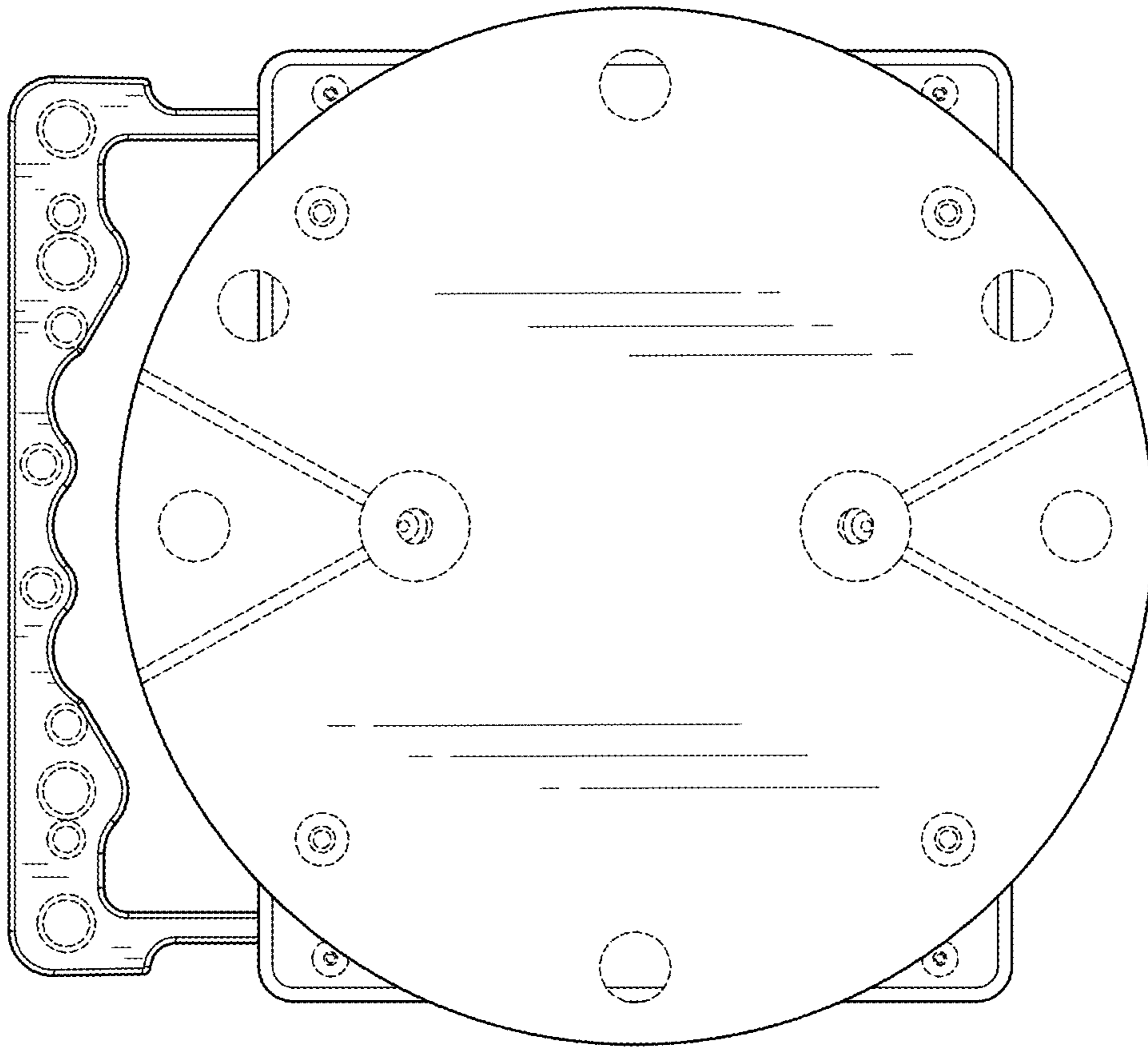


FIG. 7



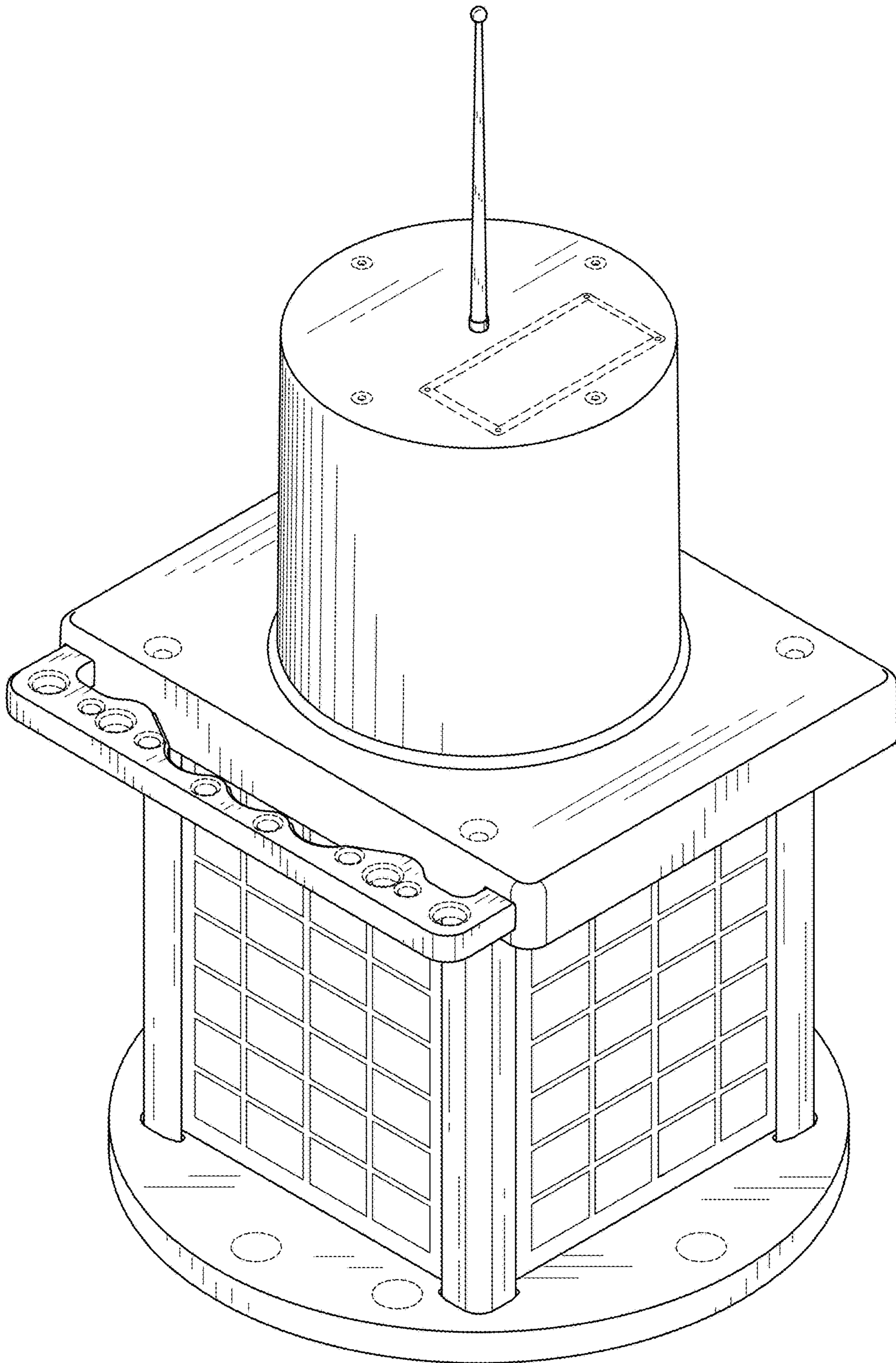


FIG. 8