



US00D778476S

(12) **United States Design Patent** (10) **Patent No.:** **US D778,476 S**
Bao (45) **Date of Patent:** **** Feb. 7, 2017**

(54) **WORKING LAMP**

(56) **References Cited**

(71) Applicant: **Yuyao Yuchang Electrical Appliance Co., Ltd., Yuyao (CN)**

U.S. PATENT DOCUMENTS

(72) Inventor: **Yong Bao, Yuyao (CN)**

D651,731 S * 1/2012 Xu D26/37
D661,417 S * 6/2012 Kung D26/42
D708,376 S * 7/2014 Crowe D26/37
D750,303 S * 2/2016 Levy D26/37
D756,014 S * 5/2016 Bao D26/65

(73) Assignee: **Yuyao Yuchang Electrical Appliance Co., Ltd., Yuyao (CN)**

* cited by examiner

(**) Term: **15 Years**

Primary Examiner — Brian N Vinson

(21) Appl. No.: **29/548,158**

(74) *Attorney, Agent, or Firm* — Wang Law Firm, Inc.

(22) Filed: **Dec. 10, 2015**

(57) **CLAIM**

(30) **Foreign Application Priority Data**

The ornamental design for a working lamp, as shown and described.

Nov. 6, 2015 (CN) 2015 3 0440345

DESCRIPTION

(51) **LOC (10) Cl.** **26-03**

FIG. 1 is a front view showing my new design;
FIG. 2 is a left view thereof;
FIG. 3 is a right elevational view thereof;
FIG. 4 is a rear view thereof;
FIG. 5 is a perspective view thereof;
FIG. 6 is a top view thereof;
FIG. 7 is a bottom thereof; and,
FIG. 8 is a perspective view of the working lamp in use.

(52) **U.S. Cl.**

USPC **D26/65**

(58) **Field of Classification Search**

USPC D26/24, 37, 42, 61, 65

CPC F21L 4/00; F21L 4/005; F21L 4/022;

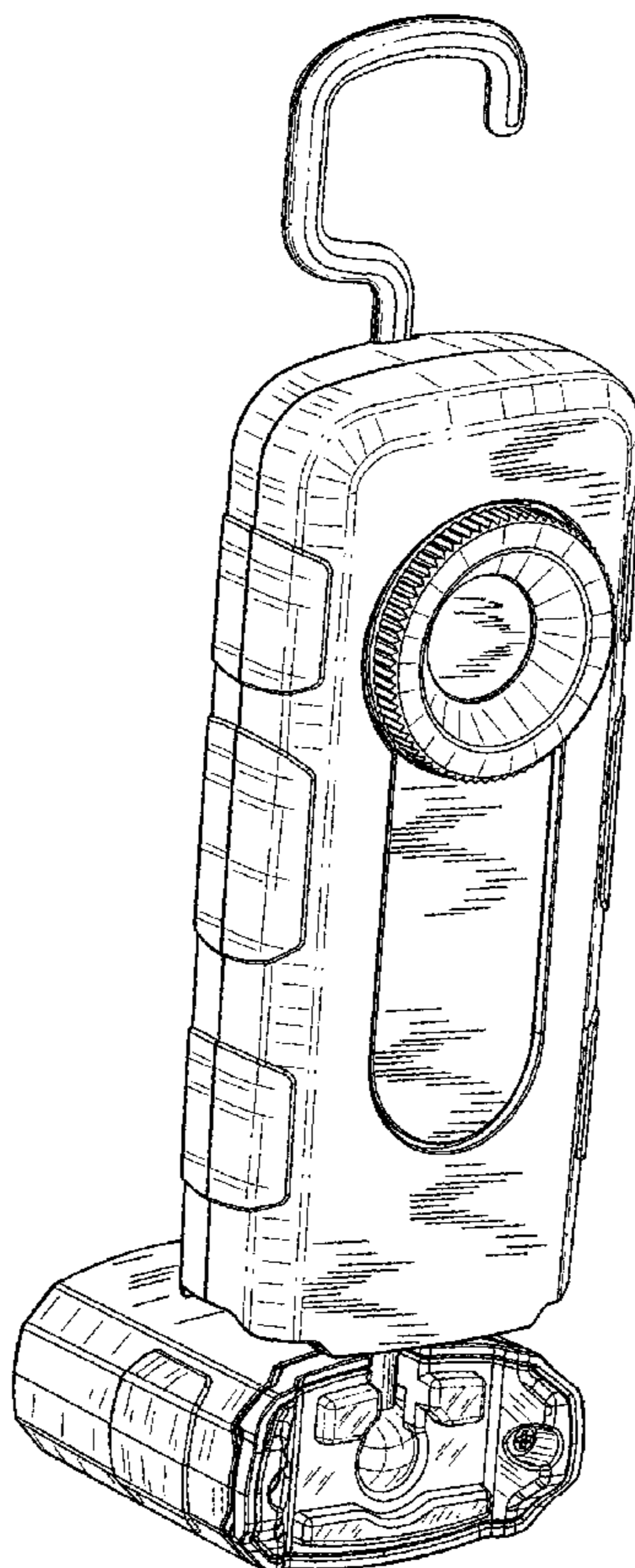
F21L 4/025; F21L 4/027; F21L

7/00; F21L 19/00; F21V 21/084; F21V

21/0085; F21W 2111/10

See application file for complete search history.

1 Claim, 4 Drawing Sheets



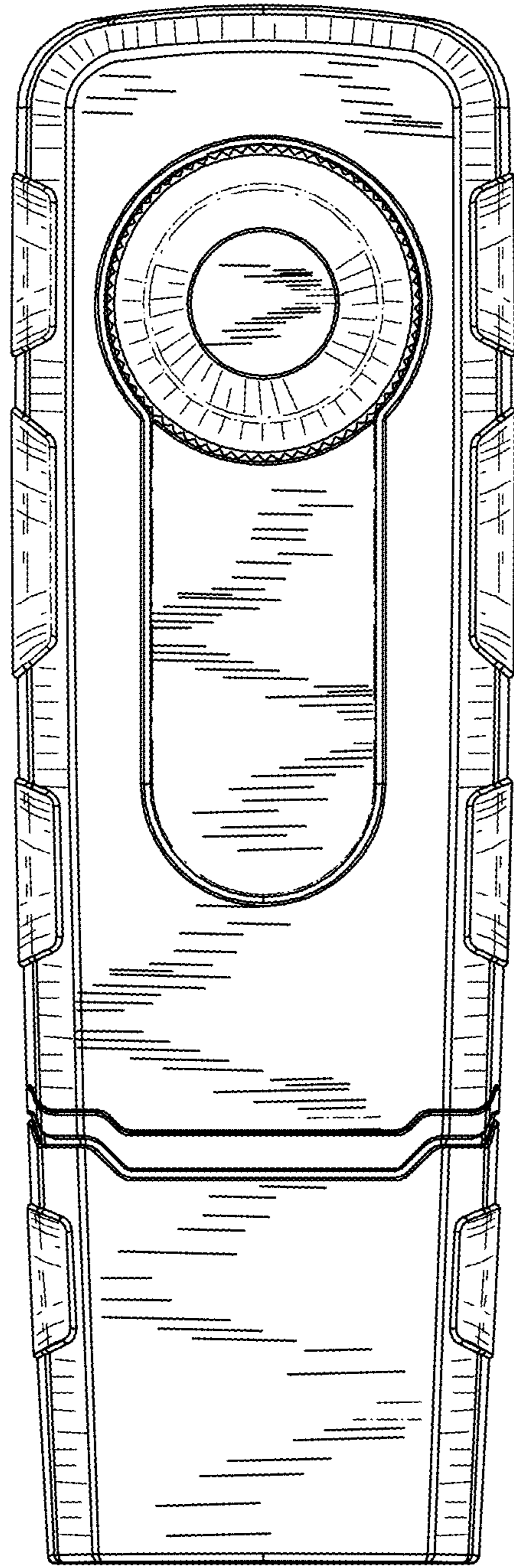


Fig. 1

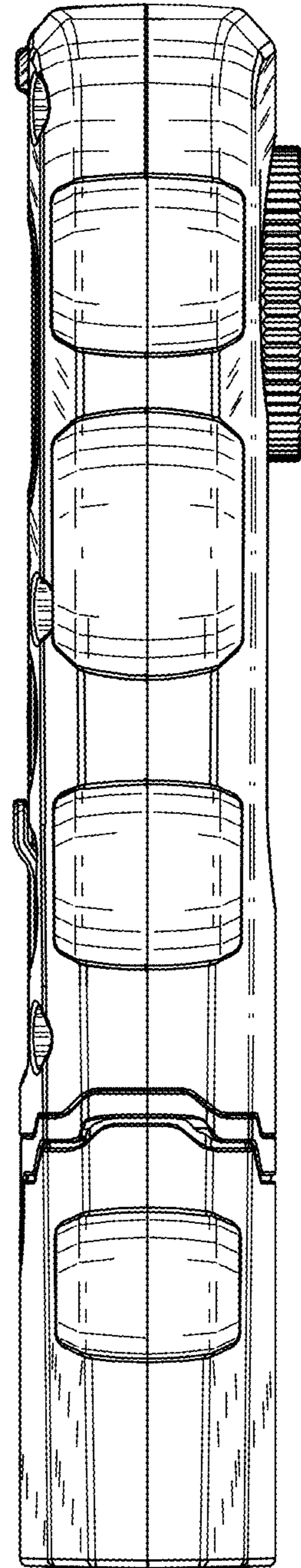


Fig. 2

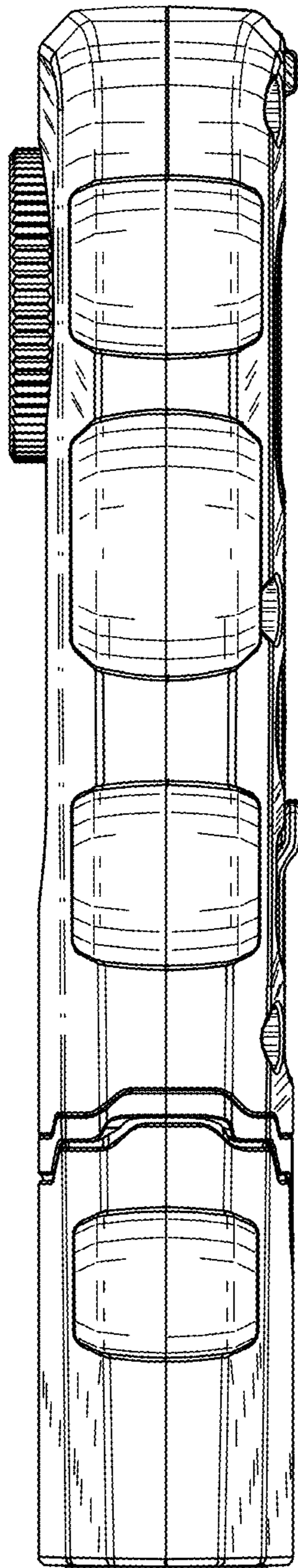


Fig. 3

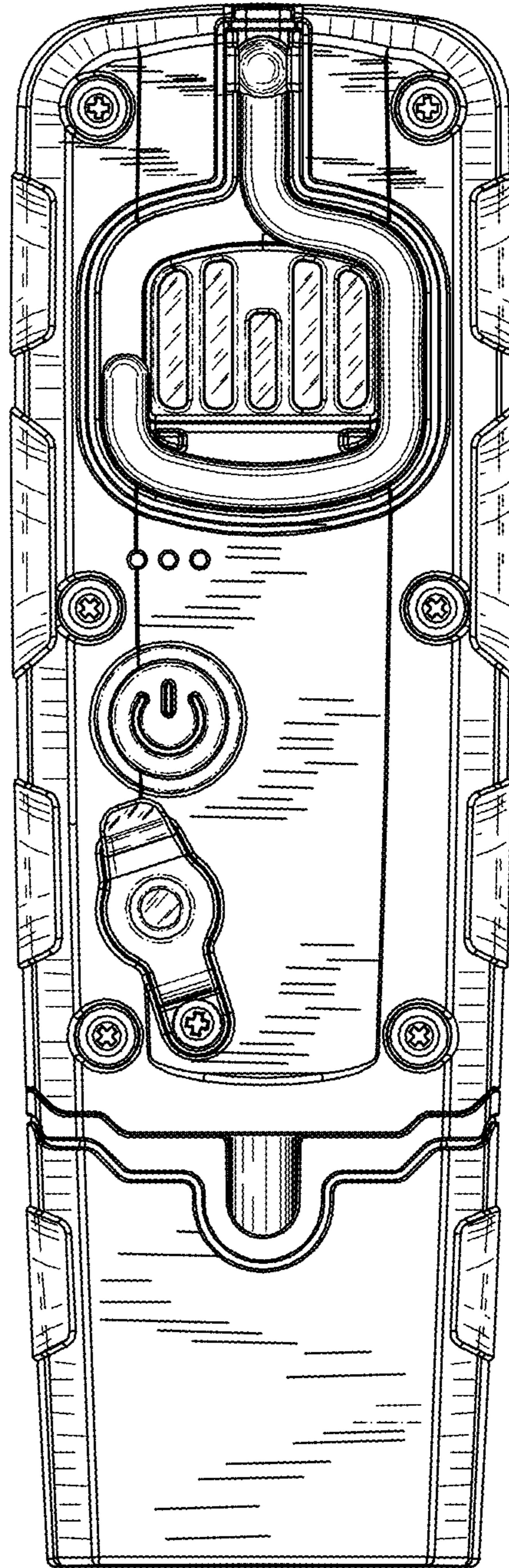


Fig. 4

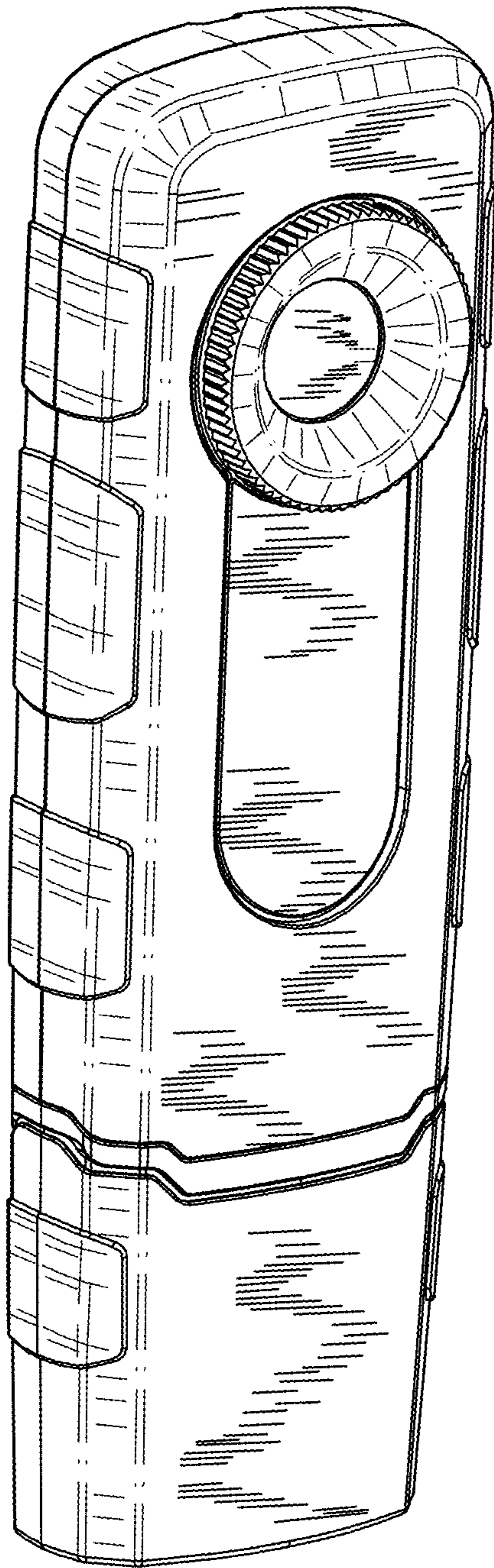


Fig. 5

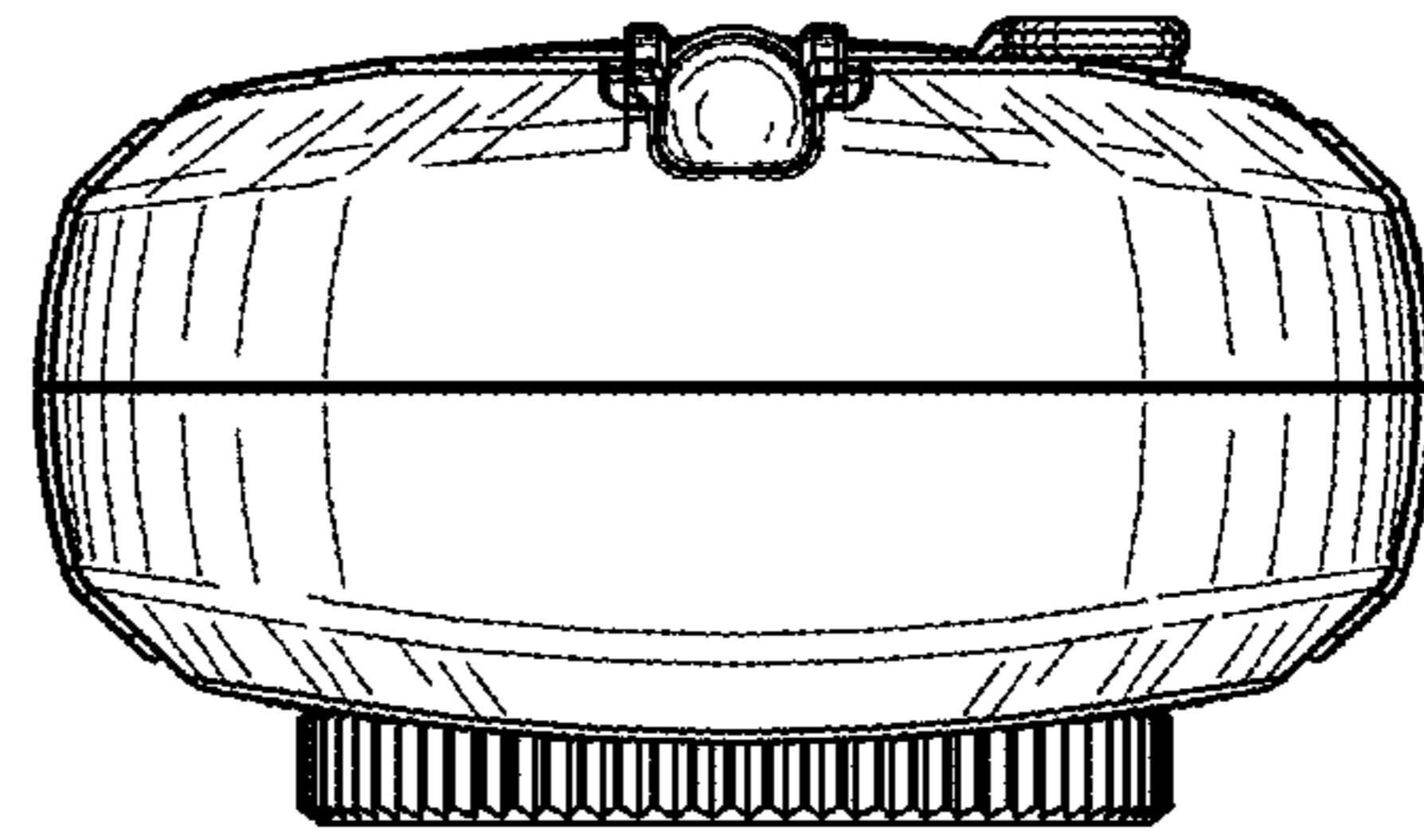


Fig. 6

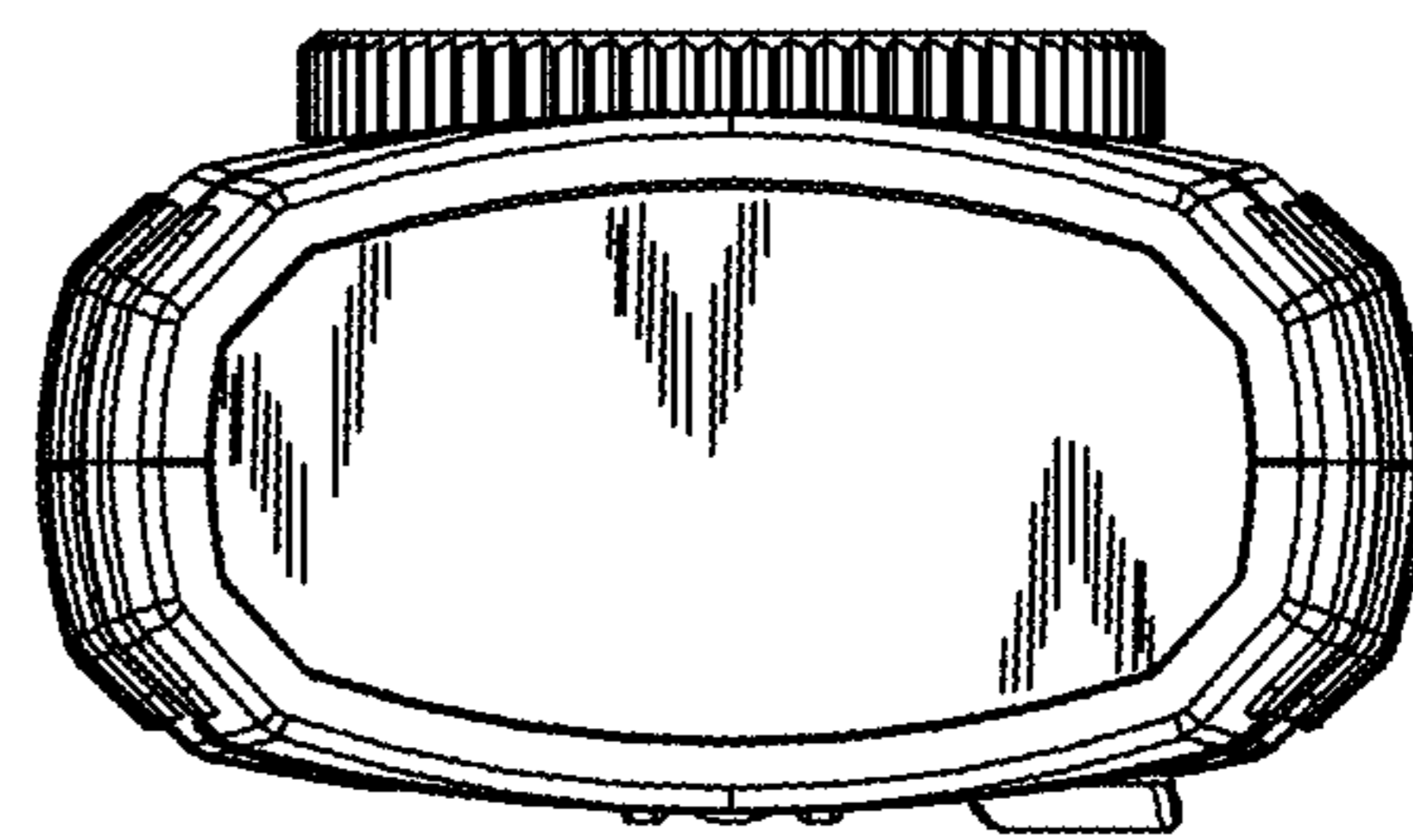


Fig. 7

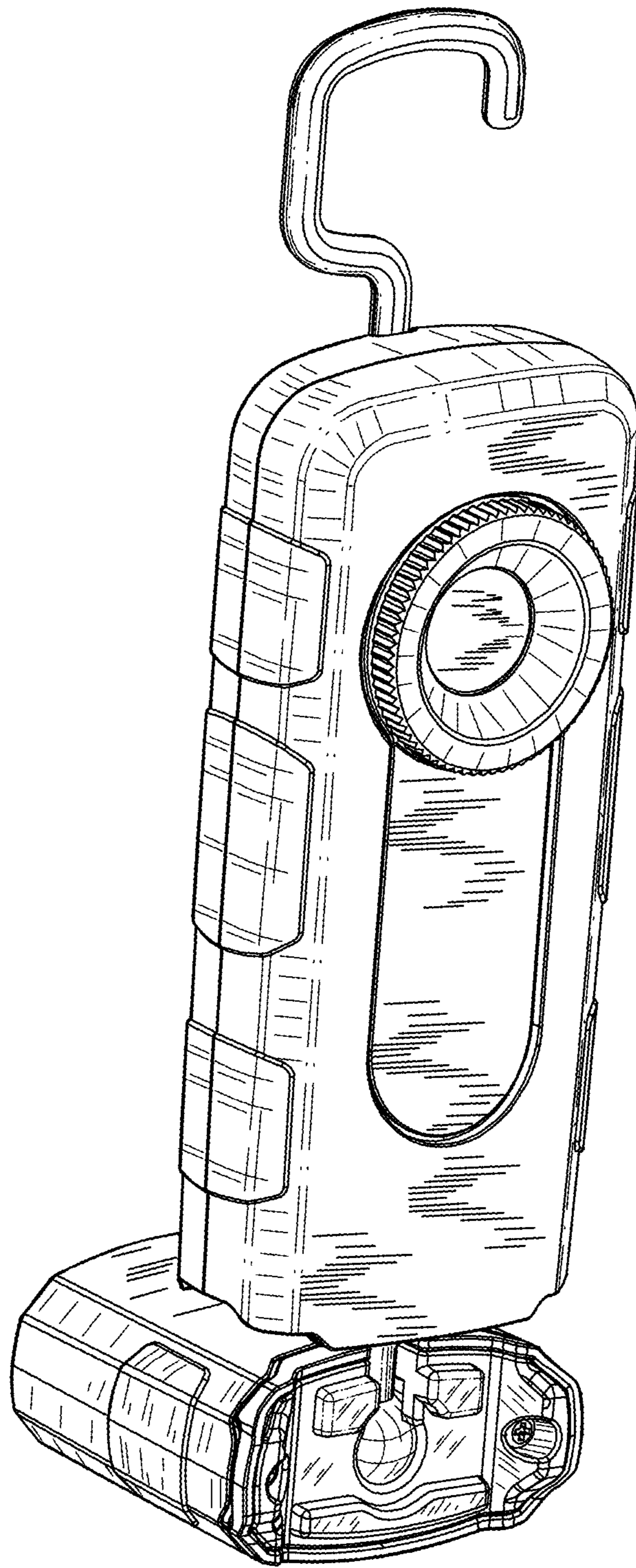


Fig. 8