



US00D778475S

(12) **United States Design Patent** (10) **Patent No.:** **US D778,475 S**  
**Bao** (45) **Date of Patent:** **\*\* Feb. 7, 2017**

(54) **WORKING LAMP**

(71) Applicant: **Yuyao Yuchang Electrical Appliance Co., Ltd., Yuyao (CN)**

(72) Inventor: **Yong Bao, Yuyao (CN)**

(73) Assignee: **Yuyao Yuchang Electrical Appliance Co., Ltd., Yuyao (CN)**

(\*\*) Term: **15 Years**

(21) Appl. No.: **29/548,006**

(22) Filed: **Dec. 9, 2015**

(30) **Foreign Application Priority Data**

Nov. 3, 2015 (CN) ..... 2015 3 0432867

(51) **LOC (10) Cl.** ..... **26-03**

(52) **U.S. Cl.**  
USPC ..... **D26/65**

(58) **Field of Classification Search**  
USPC ..... D26/24, 37, 42, 61, 65  
CPC ..... F21L 4/00; F21L 4/005; F21L 4/022;  
F21L 4/025; F21L 4/027; F21L  
7/00; F21L 19/00; F21V 21/084; F21V  
21/0085; F21W 2111/10

See application file for complete search history.

(56) **References Cited**

U.S. PATENT DOCUMENTS

D651,731 S \* 1/2012 Xu ..... D26/37  
D661,417 S \* 6/2012 Kung ..... D26/42  
D708,376 S \* 7/2014 Crowe ..... D26/37  
D750,303 S \* 2/2016 Levy ..... D26/37  
D756,014 S \* 5/2016 Bao ..... D26/65

\* cited by examiner

*Primary Examiner* — Brian N Vinson

(74) *Attorney, Agent, or Firm* — Wang Law Firm, Inc.

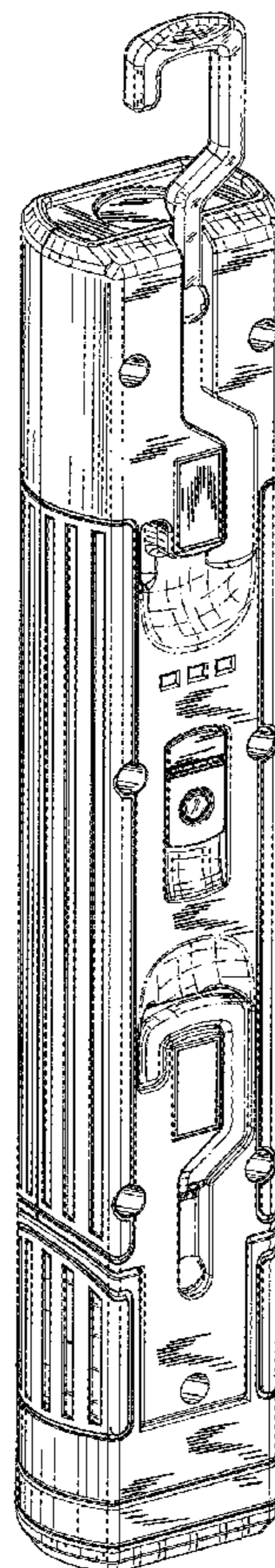
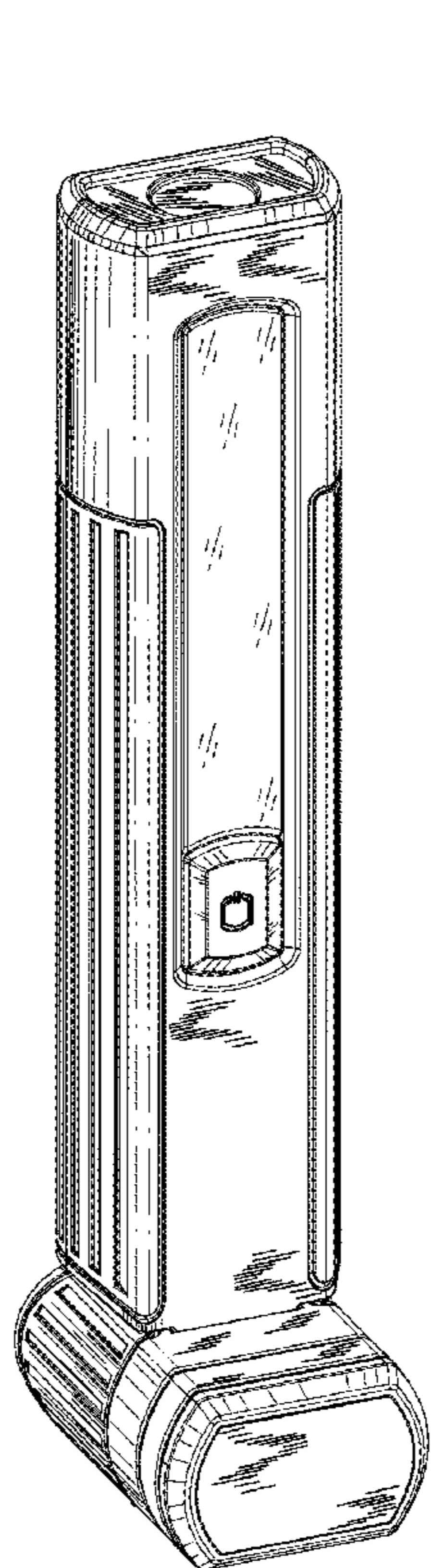
(57) **CLAIM**

The ornamental design for a working lamp, as shown and described.

**DESCRIPTION**

FIG. 1 is a front view showing my new design;  
FIG. 2 is a left view thereof;  
FIG. 3 is a right view thereof;  
FIG. 4 is a rear view thereof;  
FIG. 5 is a perspective view thereof;  
FIG. 6 is a top view thereof;  
FIG. 7 is a bottom view thereof;  
FIG. 8 is a front perspective view of the lamp in use; and,  
FIG. 9 is a rear view of the lamp with a hanging hook deployed.

**1 Claim, 4 Drawing Sheets**



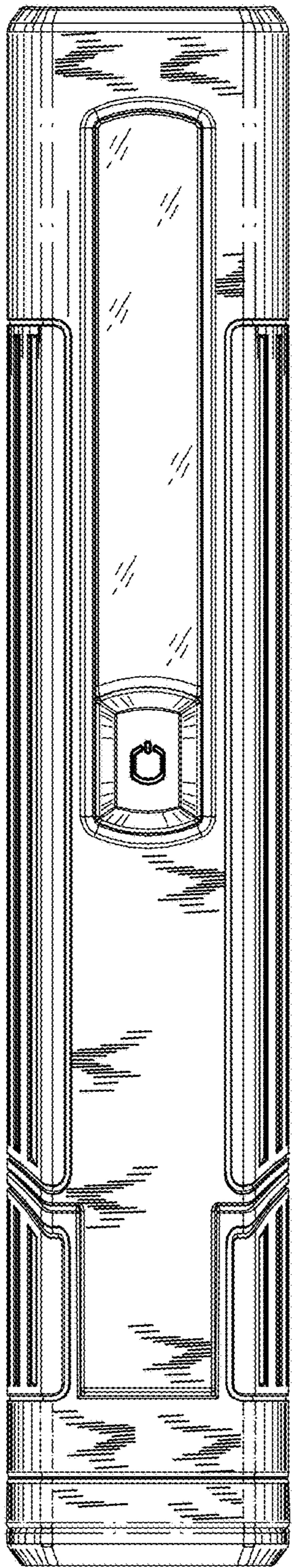


Fig. 1

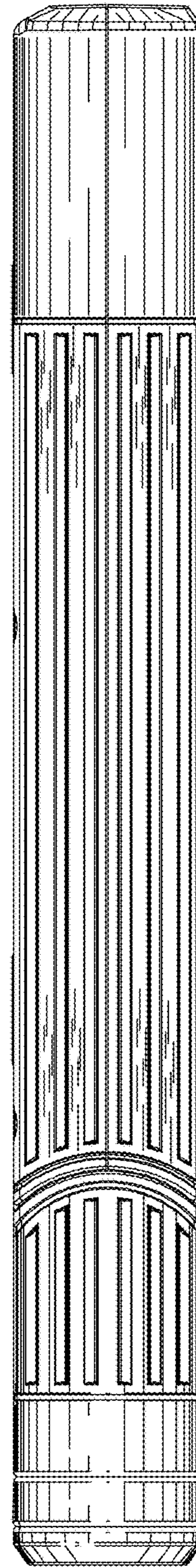


Fig. 2

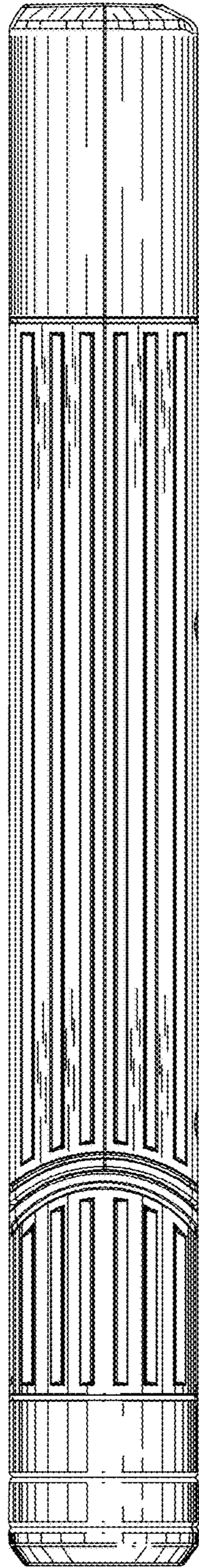


Fig. 3

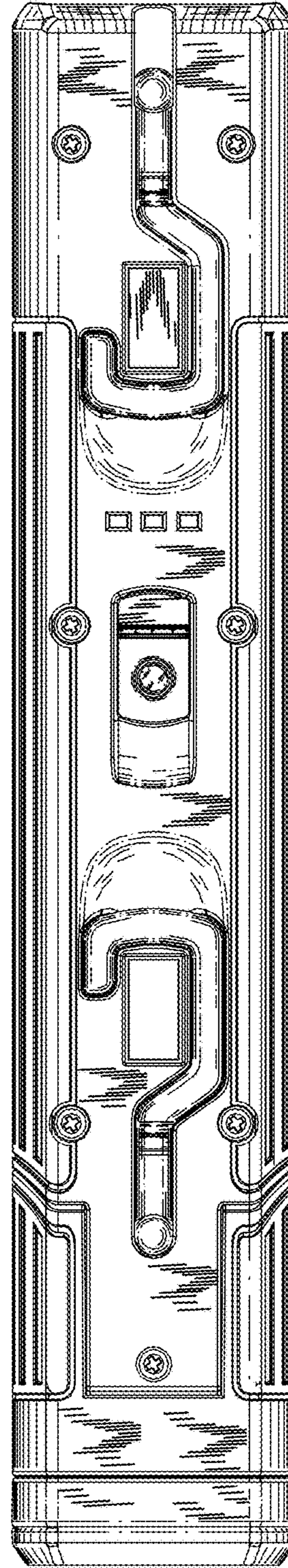


Fig. 4

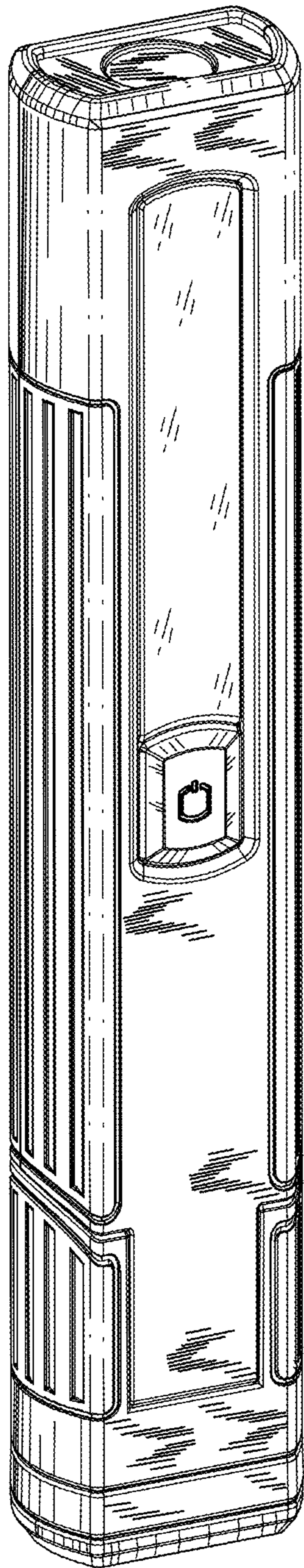


Fig. 5

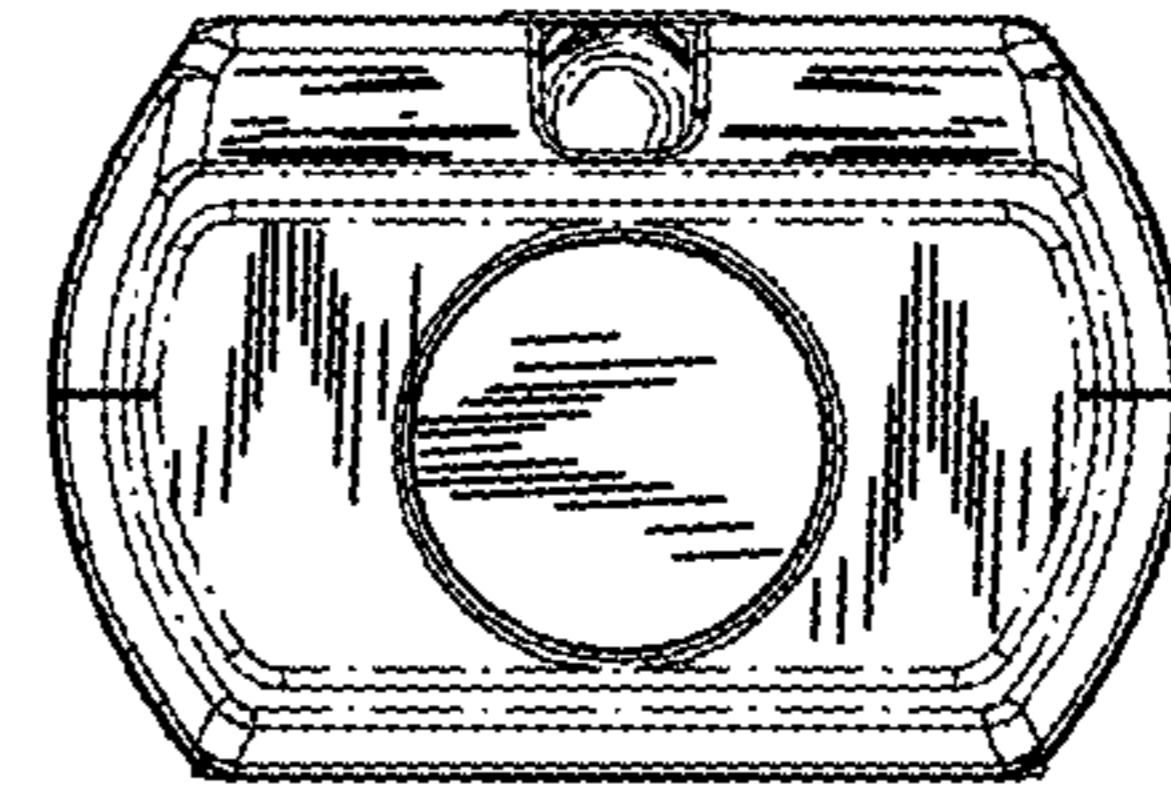


Fig. 6

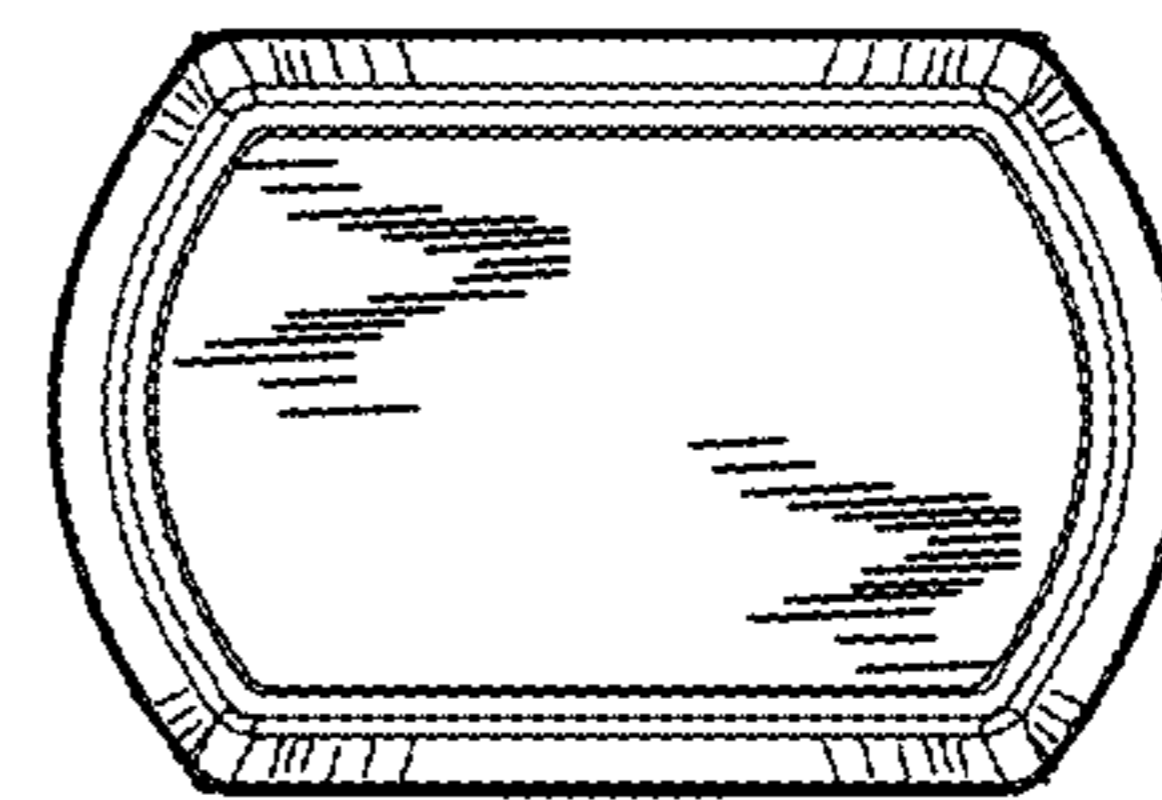


Fig. 7

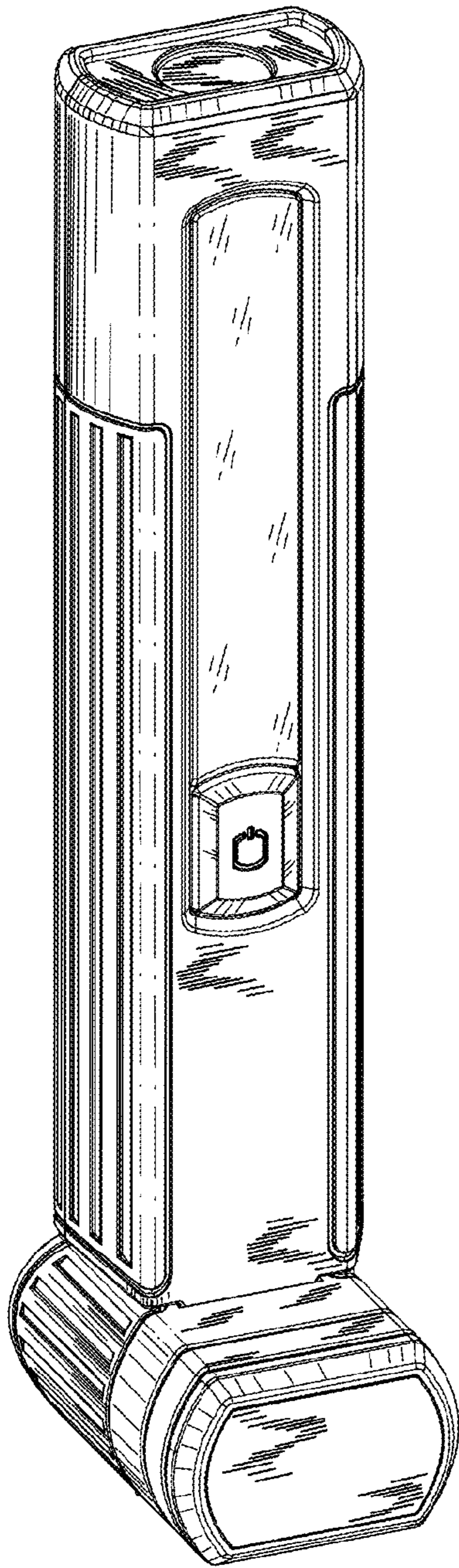


Fig. 8

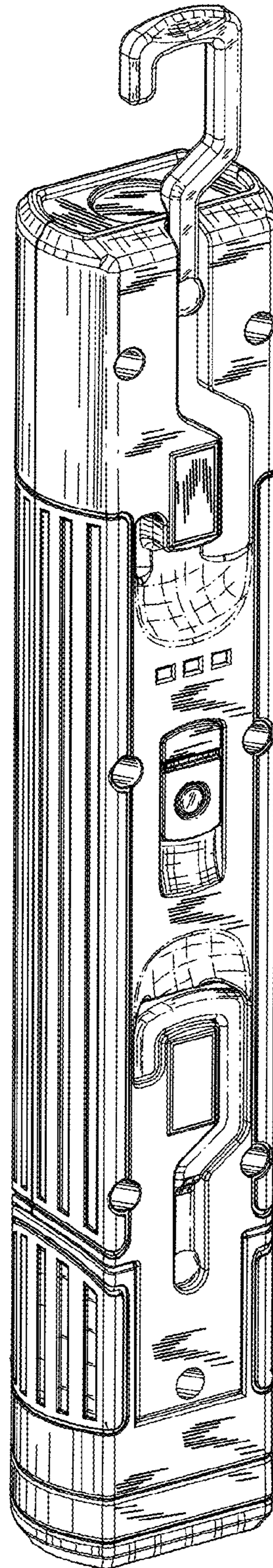


Fig. 9