



US00D778473S

(12) **United States Design Patent** (10) **Patent No.:** **US D778,473 S**
Cooper (45) **Date of Patent:** **** Feb. 7, 2017**

(54) **LIGHT TOOL**

(71) Applicant: **Wilmar Corporation**, Renton, WA (US)

(72) Inventor: **David James Cooper**, Renton, WA (US)

(73) Assignee: **Wilmar Corporation**, Renton, WA (US)

(**) Term: **14 Years**

(21) Appl. No.: **29/465,397**

(22) Filed: **Aug. 27, 2013**

(51) **LOC (10) Cl.** **26-02**

(52) **U.S. Cl.**
USPC **D26/37**

(58) **Field of Classification Search**
USPC ... D26/37, 38, 46, 49, 51, 39; 362/158, 183, 362/184, 194-196, 200-208, 253, 362/103-108
CPC F21L 2003/00; F21L 4/00; F21L 4/005; F21L 4/02; F21L 4/025; F21L 4/027; F21L 4/04; F21L 4/08; F21L 2005/00; F21L 7/00; F21L 11/00; F21L 13/00; F21L 13/04; F21L 13/08; F21L 14/02; F21L 17/00; F21L 19/00
See application file for complete search history.

(56) **References Cited**

U.S. PATENT DOCUMENTS

D419,704 S *	1/2000	Ting	D26/37
D450,873 S *	11/2001	Opolka	D19/173
6,886,960 B2 *	5/2005	Sharrah	F21L 4/005
				362/205
D507,839 S *	7/2005	Man	D26/37
D521,164 S *	5/2006	Sharrah	D26/37

D603,541 S *	11/2009	Shiu	D26/38
D626,671 S *	11/2010	Bertken	D10/114.9
D645,506 S *	9/2011	Hung	D19/117
D648,466 S *	11/2011	Hickman	D26/42
D676,170 S *	2/2013	Feng	D26/38
D693,042 S *	11/2013	Wu	D26/49
D700,383 S *	2/2014	Seidl	D26/43
D715,983 S *	10/2014	Jeong	D26/46
D724,245 S *	3/2015	Clifford	D26/37
D725,810 S *	3/2015	Jeong	D26/38
D729,963 S *	5/2015	Windom	D26/38
D743,075 S *	11/2015	Keaton	D22/108

* cited by examiner

Primary Examiner — Ian Simmons

Assistant Examiner — Carissa C Fitts

(74) *Attorney, Agent, or Firm* — Baumgartner Patent Law; Marc Baumgartner

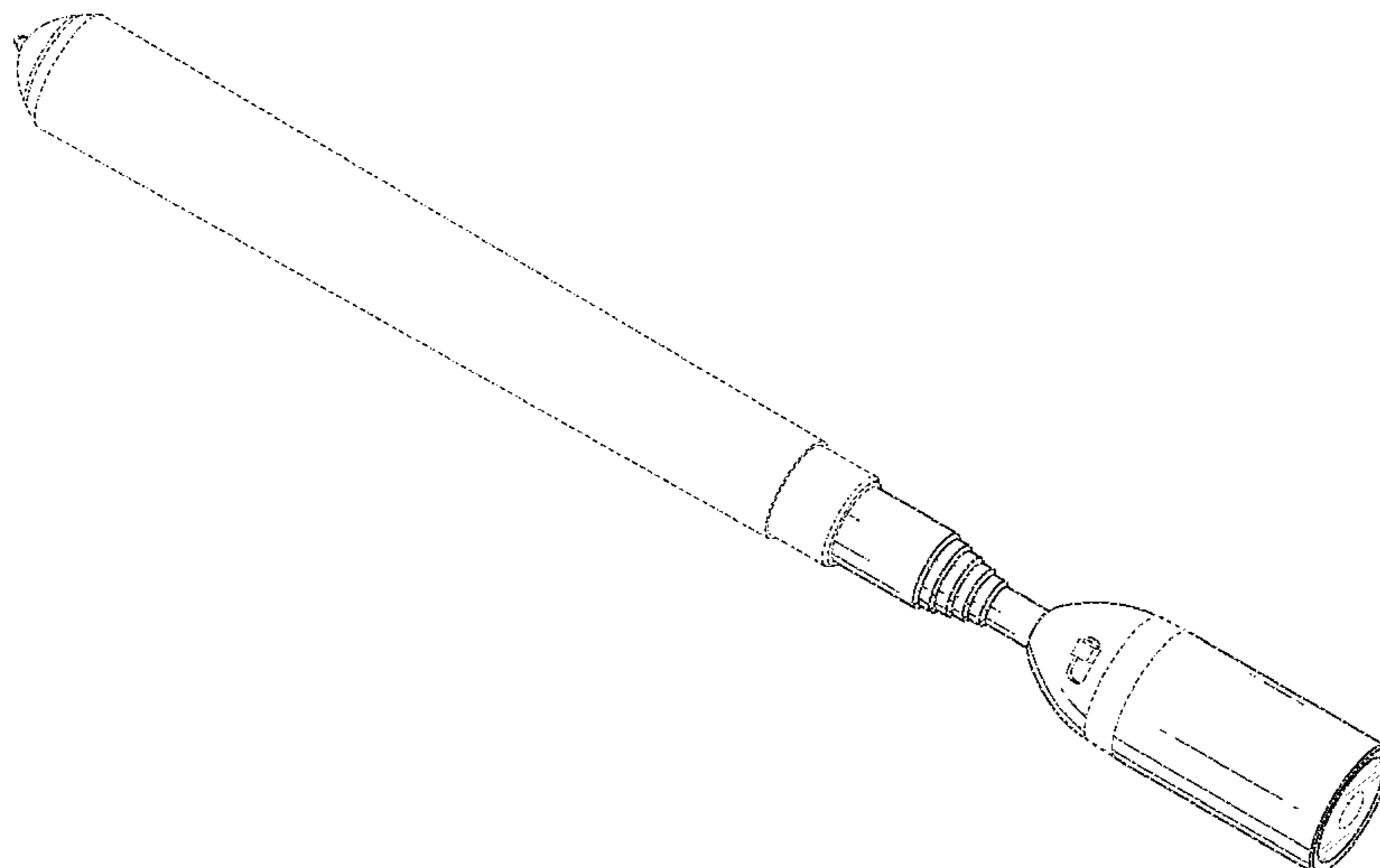
(57) **CLAIM**

The ornamental design for a light tool, as shown and described.

DESCRIPTION

FIG. 1 is a first perspective view of a light tool embodying my design;
FIG. 2 is a second perspective view of the light tool of FIG. 1;
FIG. 3 is a first side view of the light tool of FIG. 1;
FIG. 4 is a second side view of the light tool of FIG. 1;
FIG. 5 is a front view of the light tool of FIG. 1;
FIG. 6 is a rear view of the light tool of FIG. 1;
FIG. 7 is an enlarged top view of the light tool of FIG. 1; and,
FIG. 8 is an enlarged bottom view of the light tool of FIG. 1.
The broken lines shown represent portions of the article not claimed and form no part of the claimed design.

1 Claim, 5 Drawing Sheets



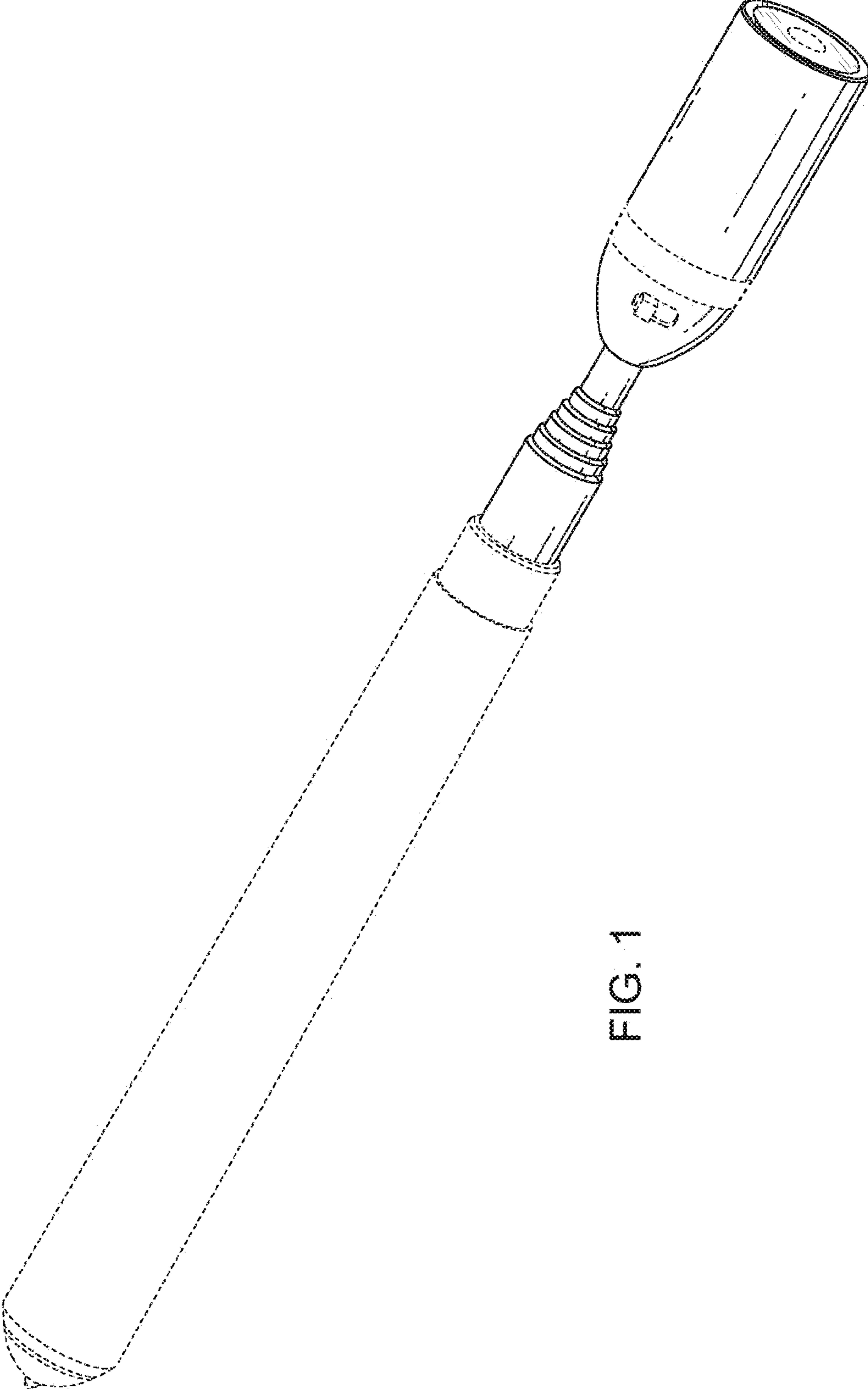


FIG. 1

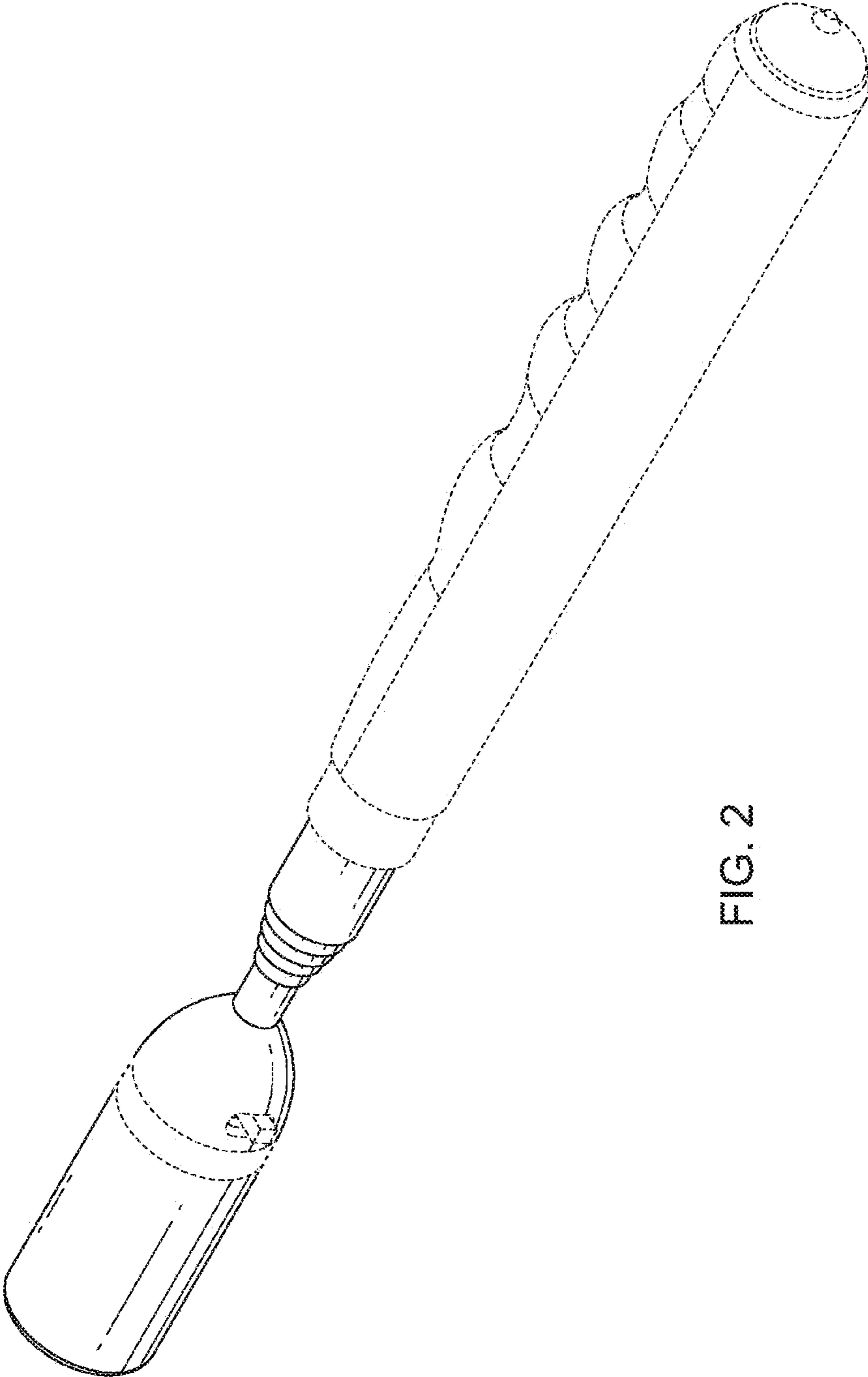


FIG. 2

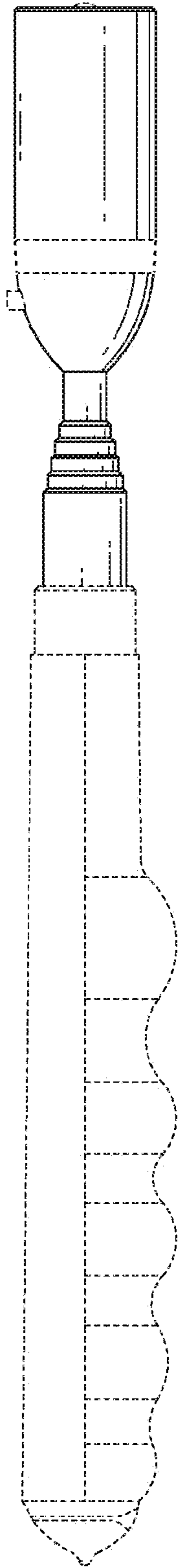


FIG. 3

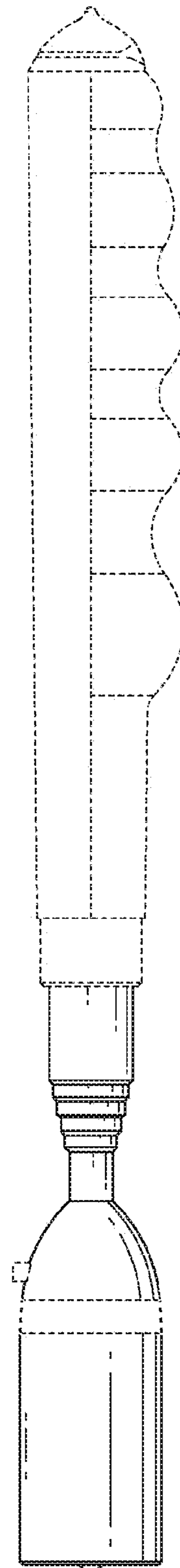


FIG. 4

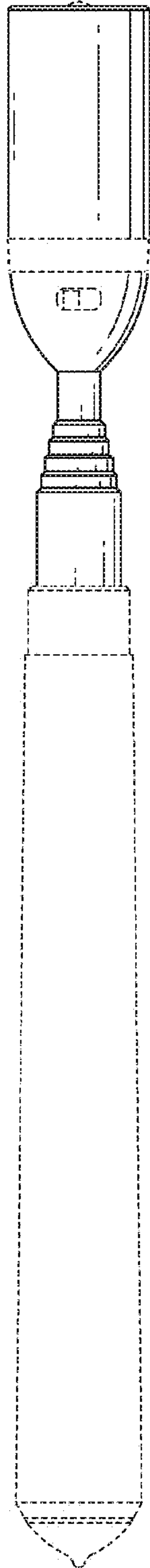


FIG. 5

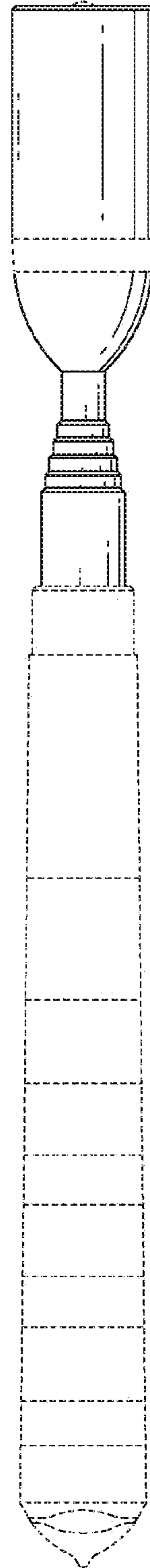


FIG. 6

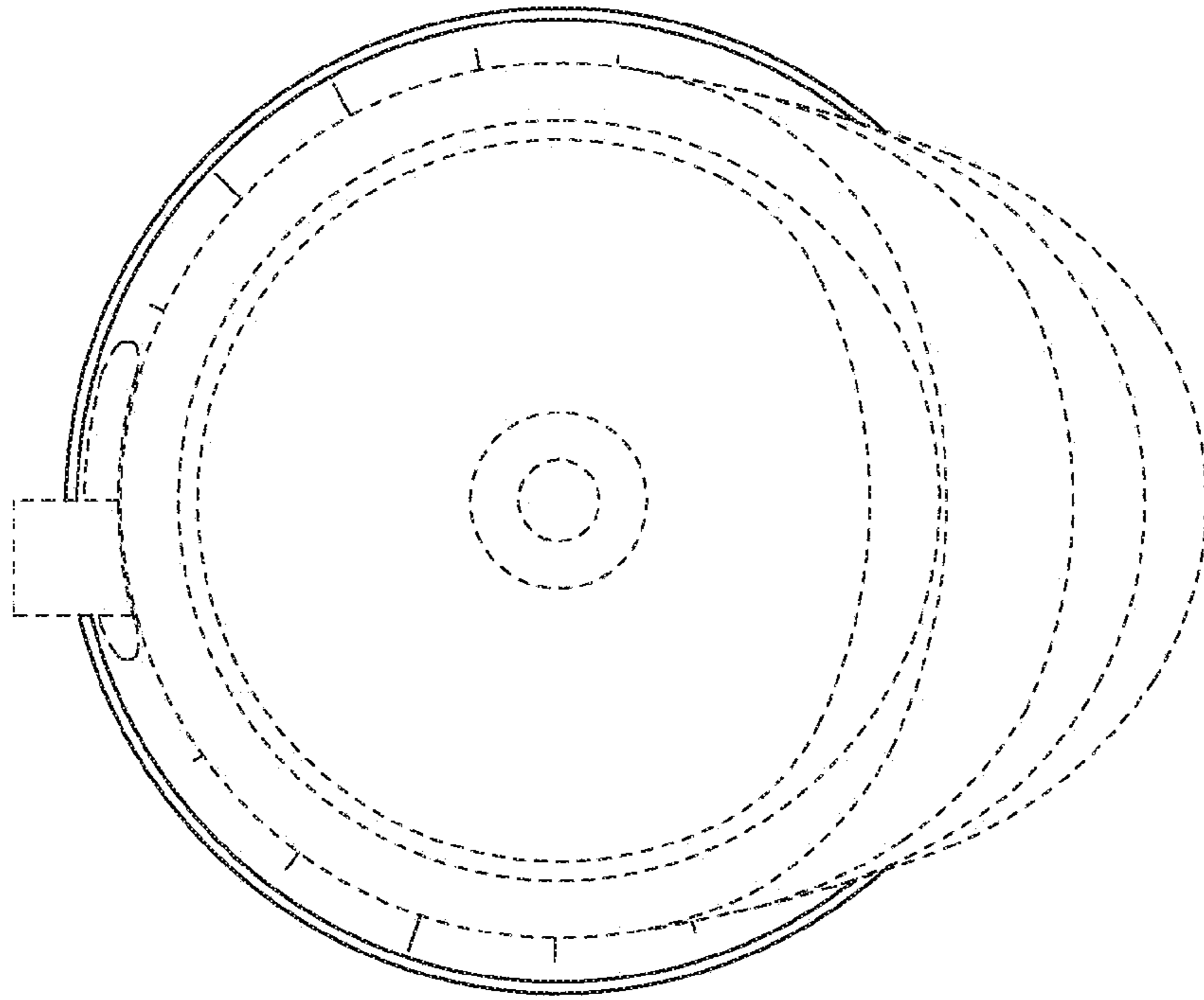


FIG. 8

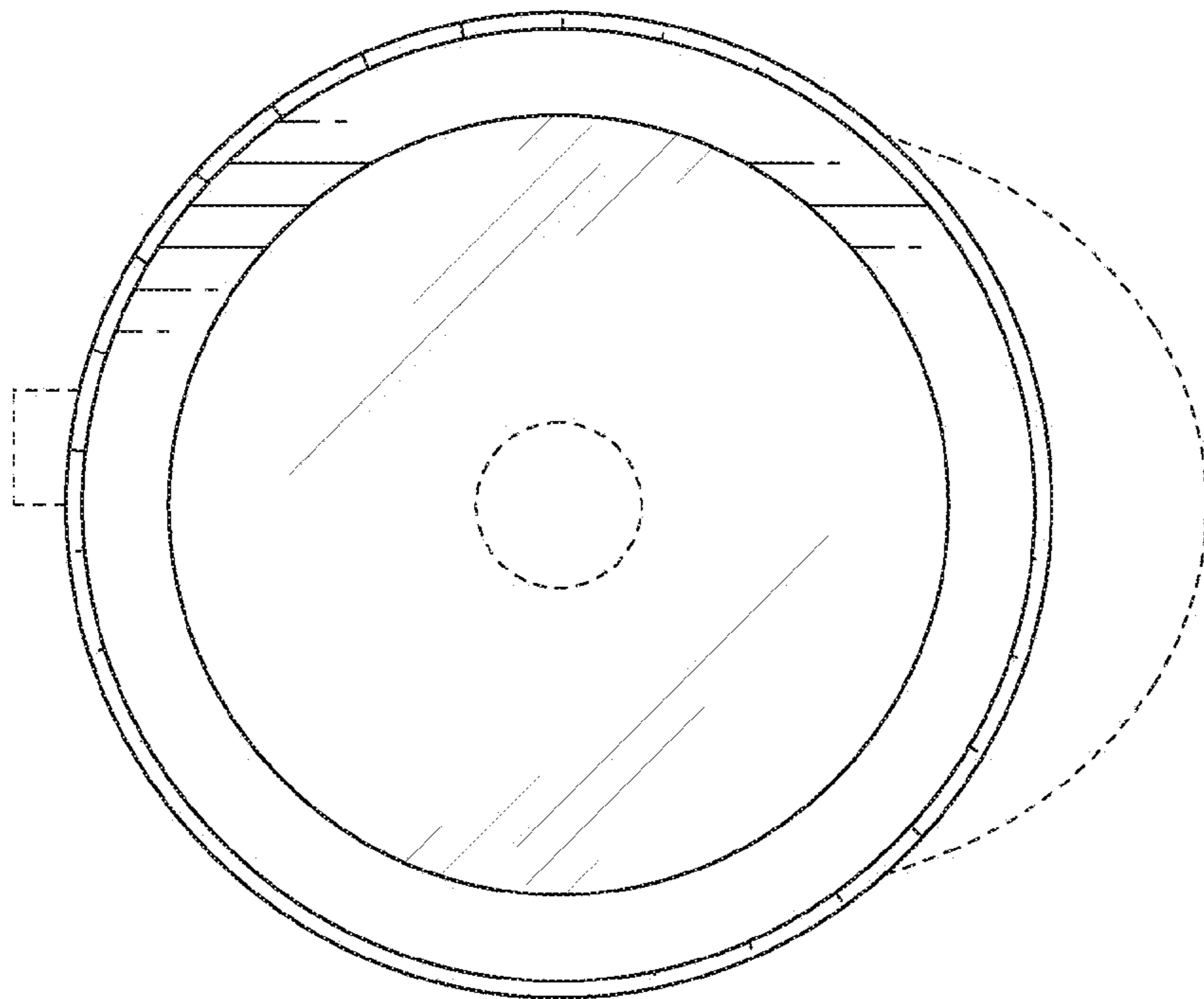


FIG. 7