



US00D778471S

(12) **United States Design Patent** (10) **Patent No.:** **US D778,471 S**
Ito et al. (45) **Date of Patent:** **** Feb. 7, 2017**

(54) **LIGHT FOR A TRUCK VEHICLE**
(71) Applicant: **International Truck Intellectual Property Company, LLC**, Lisle, IL (US)
(72) Inventors: **Chris Ito**, Suger Grove, IL (US); **Glen Joel Durmisevich**, Rochester Hills, MI (US); **David James Olsen**, Aurora, IL (US)
(73) Assignee: **International Truck Intellectual Property Company, LLC**, Lisle, IL (US)
(**) Term: **15 Years**
(21) Appl. No.: **29/544,047**
(22) Filed: **Oct. 30, 2015**
(51) **LOC (10) Cl.** **26-06**
(52) **U.S. Cl.**
USPC **D26/28**
(58) **Field of Classification Search**
USPC D26/28-36; 362/80-83, 267-269, 362/459-468, 475-478, 485-487
CPC F21S 48/00; F21S 48/10; F21S 48/115; F21S 48/225; F21S 48/1233; F21S 48/1266; F21S 48/1388; F21S 48/2268; F21V 21/04
See application file for complete search history.

(56) **References Cited**
U.S. PATENT DOCUMENTS
D527,123 S 8/2006 Beigel et al.
D539,947 S 4/2007 Lee et al.
D592,324 S 5/2009 Beigel et al.
D640,826 S 6/2011 Beigel et al.
D660,485 S * 5/2012 Nishihama D26/28
D696,443 S 12/2013 Ito et al.
D702,381 S * 4/2014 Katou D26/28
D715,471 S * 10/2014 Nagasaka D26/28
D717,478 S * 11/2014 Perini D26/28
* cited by examiner
Primary Examiner — Marcus Jackson
(74) *Attorney, Agent, or Firm* — Jeffrey P. Calfa; Mark C. Bach

(57) **CLAIM**
The ornamental designs for a light for a truck vehicle, as shown and described.

DESCRIPTION
FIG. 1 is an isometric view of a light for a truck vehicle showing my/our new design;
FIG. 2 is a front view thereof;
FIG. 3 is a back view thereof;
FIG. 4 is a left side view thereof;
FIG. 5 is a right side view thereof; and,
FIG. 6 is a top plan view thereof.

1 Claim, 3 Drawing Sheets

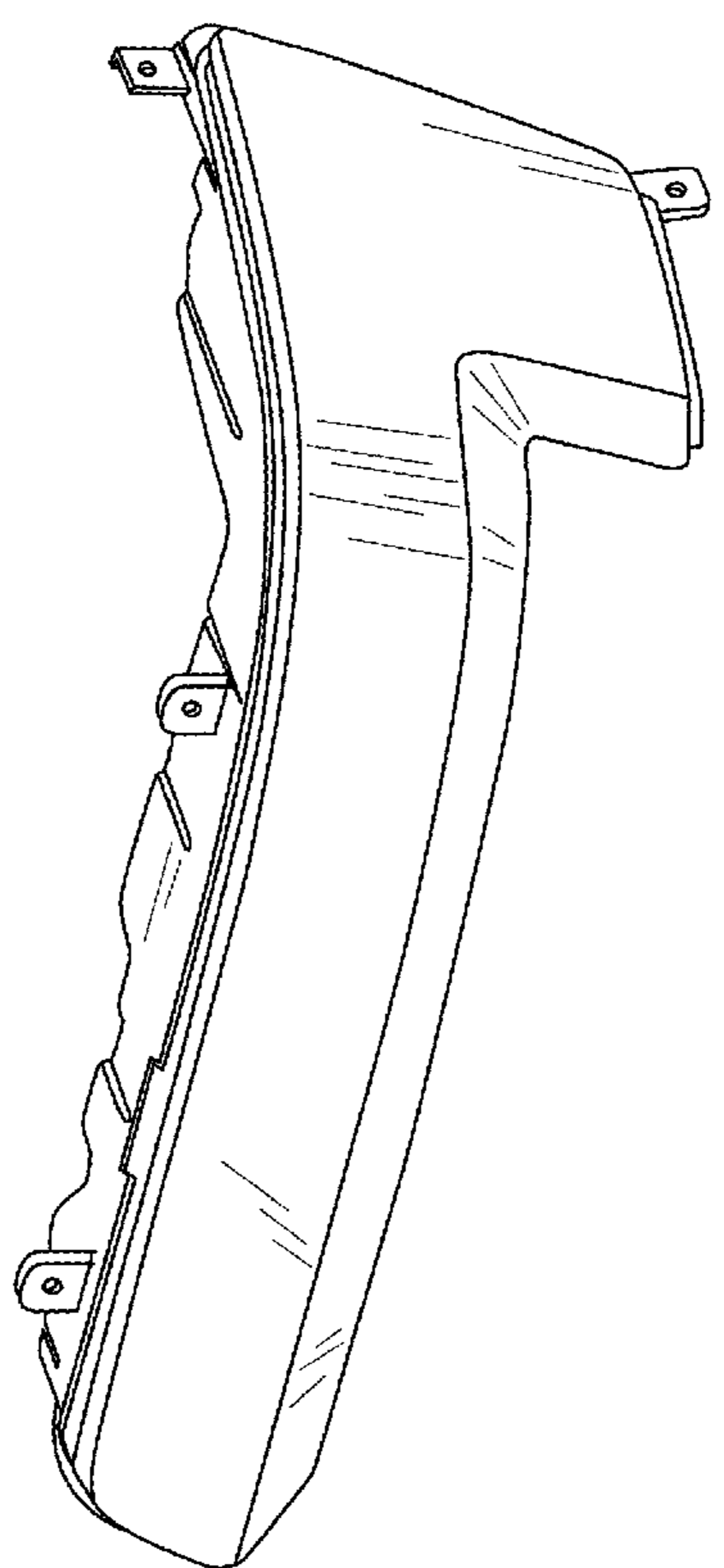


FIG. 1

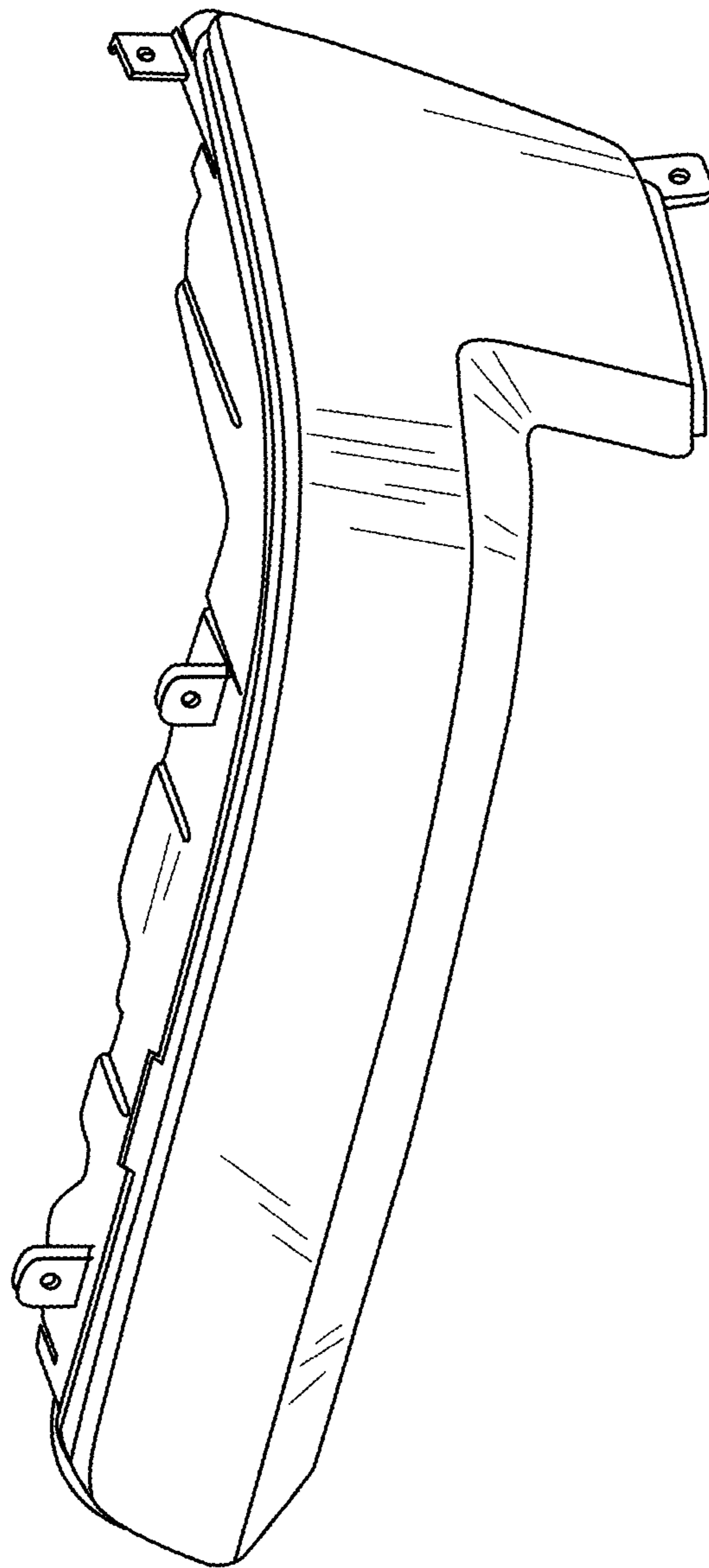


FIG. 2

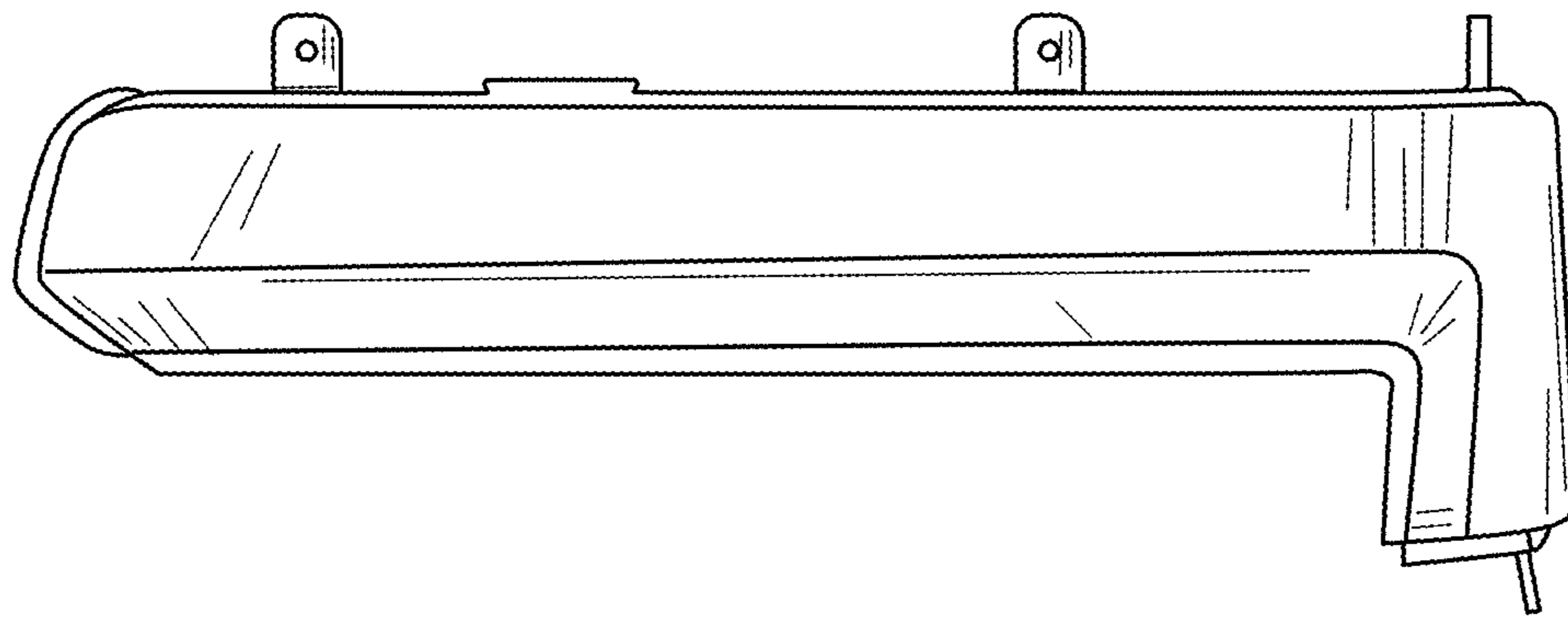


FIG. 3

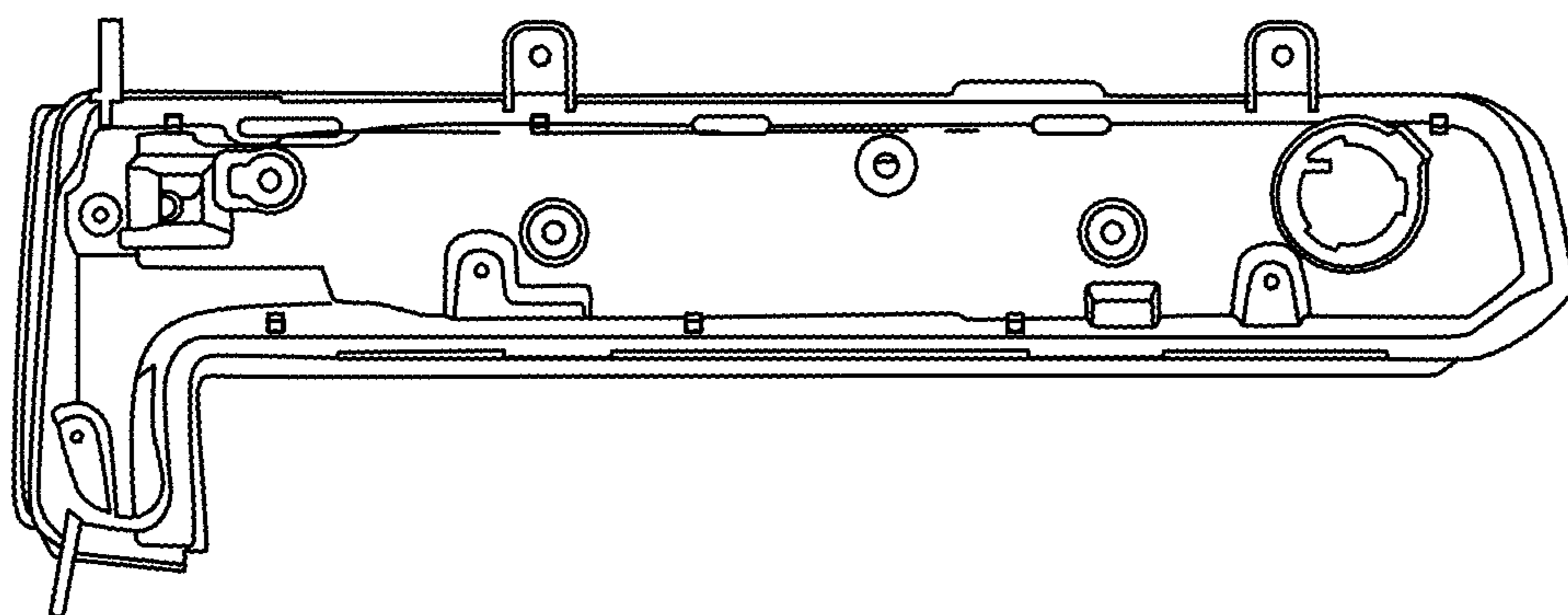


FIG. 4

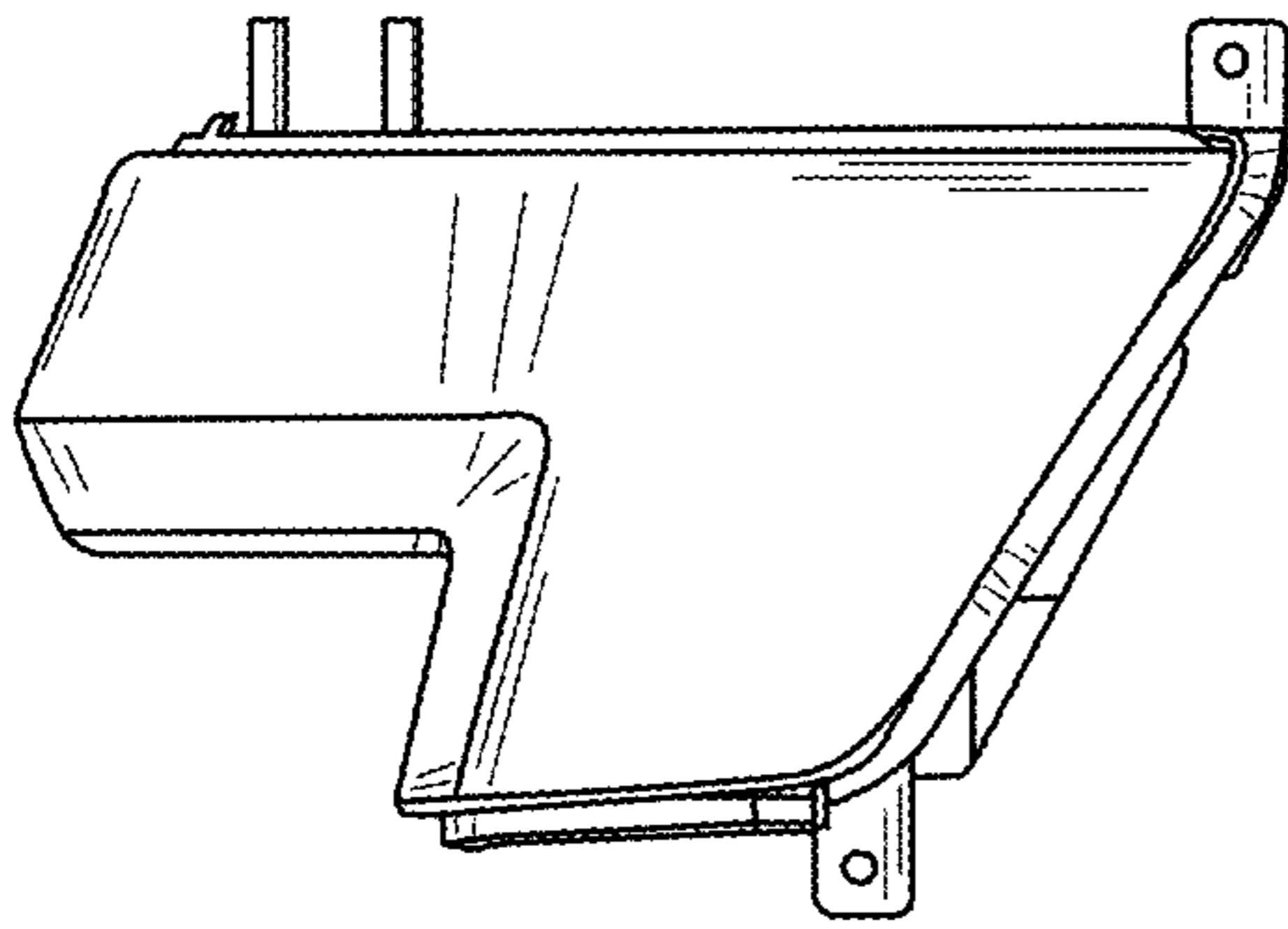


FIG. 5

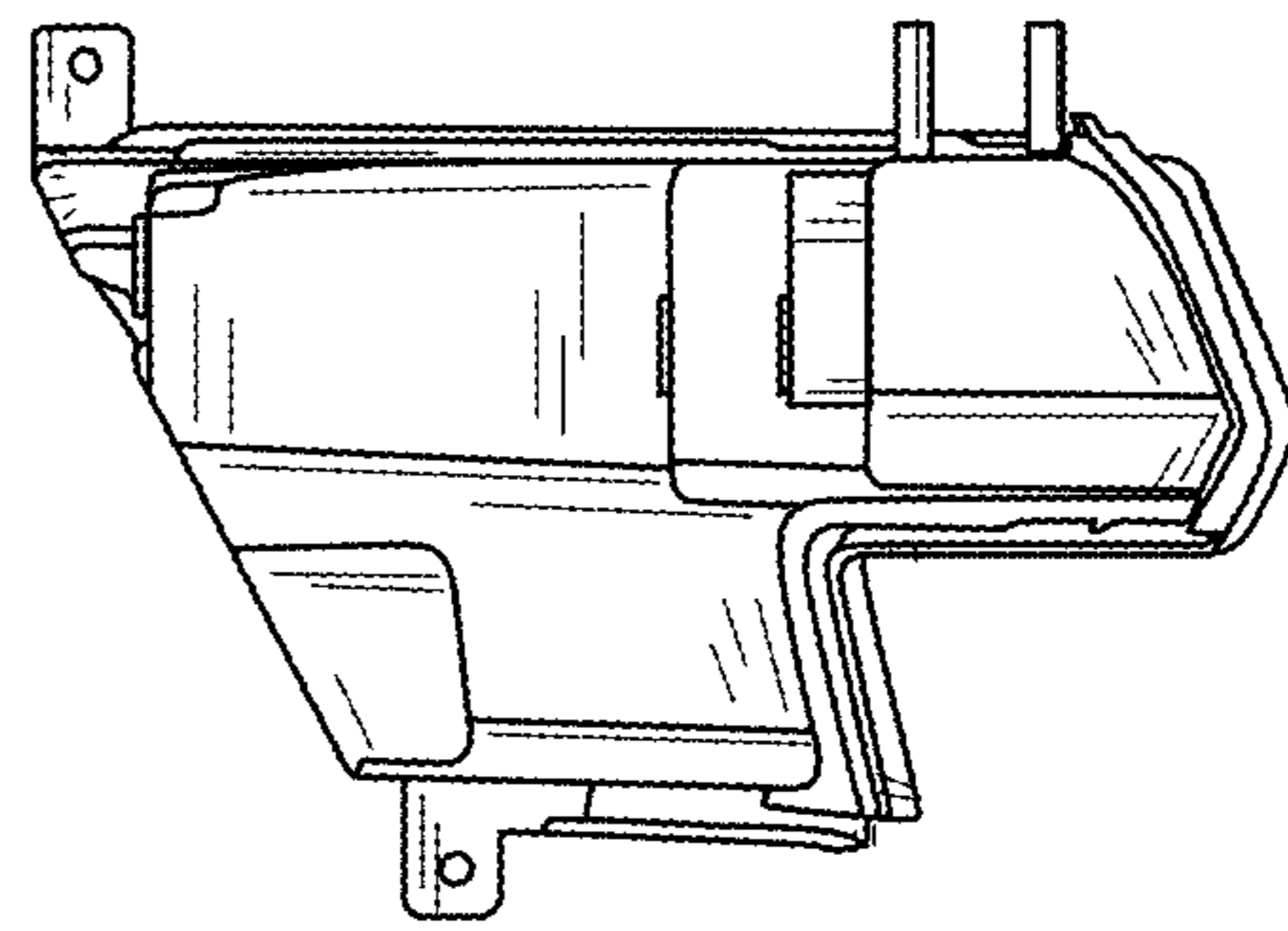


FIG. 6

