



US00D778470S

(12) **United States Design Patent** (10) **Patent No.:** **US D778,470 S**
Ito et al. (45) **Date of Patent:** **** Feb. 7, 2017**

(54) **HEADLIGHT OF A TRUCK VEHICLE**

(71) Applicant: **International Truck Intellectual Property Company, LLC**, Lisle, IL (US)

(72) Inventors: **Chris Ito**, Sugar Grove, IL (US); **Glen Joel Durmisevich**, Rochester Hills, MI (US); **Christian Michael Hardin**, Waterford, MI (US)

(73) Assignee: **International Truck Intellectual Property Company, LLC**, Lisle, IL (US)

(**) Term: **15 Years**

(21) Appl. No.: **29/544,046**

(22) Filed: **Oct. 30, 2015**

(51) **LOC (10) Cl.** **26-06**

(52) **U.S. Cl.**
USPC **D26/28**

(58) **Field of Classification Search**
USPC D26/28-36; 362/80-83, 267-269, 362/459-468, 475-478, 485-487
CPC F21S 48/00; F21S 48/10; F21S 48/115; F21S 48/225; F21S 48/1233; F21S 48/1266; F21S 48/1388; F21S 48/2268; F21V 21/04
See application file for complete search history.

(56) **References Cited**

U.S. PATENT DOCUMENTS

D506,842 S * 6/2005 Nagura D26/28
D527,123 S 8/2006 Beigel et al.

D529,208 S * 9/2006 Ikeda D26/28
D538,954 S * 3/2007 Pfeiffer D26/28
D539,947 S 4/2007 Lee et al.
D542,442 S * 5/2007 Matsunami D26/28
D570,007 S * 5/2008 Hsu D26/28
D592,324 S 5/2009 Beigel et al.
D640,826 S 6/2011 Beigel et al.
D696,443 S 12/2013 Ito et al.

* cited by examiner

Primary Examiner — Marcus Jackson

(74) *Attorney, Agent, or Firm* — Jeffrey P. Calfa; Mark C. Bach

(57) **CLAIM**

The ornamental designs for a headlamp for a truck vehicle, as shown and described.

DESCRIPTION

FIG. 1 is an isometric view of a first embodiment of the headlamp for a truck vehicle showing my/our new design; FIG. 2 is a top plan view of FIG. 1; FIG. 3 is a left side view of FIG. 1; FIG. 4 is a right side view of FIG. 1; FIG. 5 is a front view of FIG. 1; FIG. 6 is a back view of FIG. 1; FIG. 7 is an isometric view of a second embodiment of the headlamp for a truck vehicle showing my/our new design; FIG. 8 is a top plan view of FIG. 7; FIG. 9 is a left side view of FIG. 7; FIG. 10 is a right side view of FIG. 7; FIG. 11 is a front view of FIG. 7; and, FIG. 12 is a back view of FIG. 7.

1 Claim, 6 Drawing Sheets

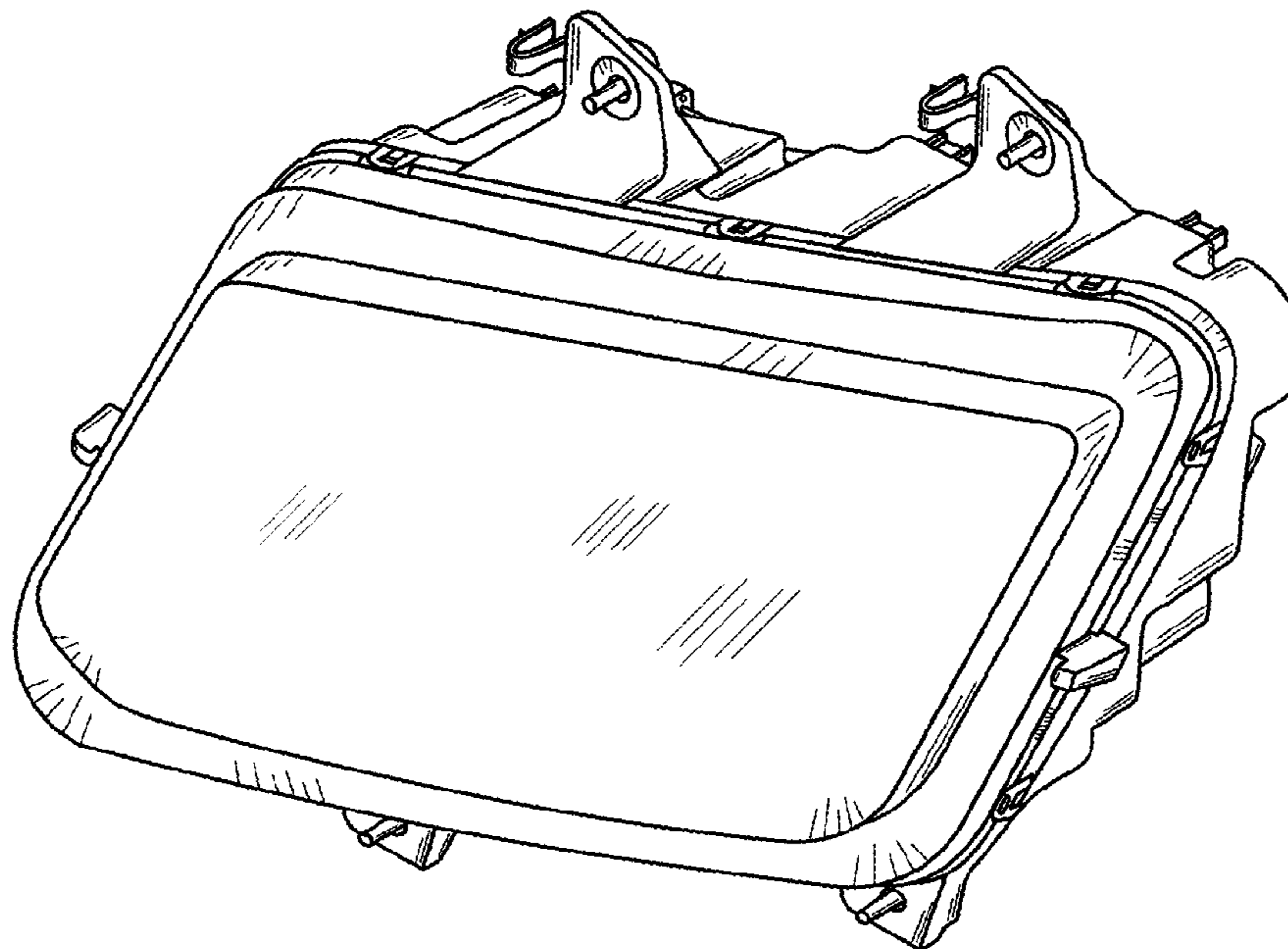


FIG. 1

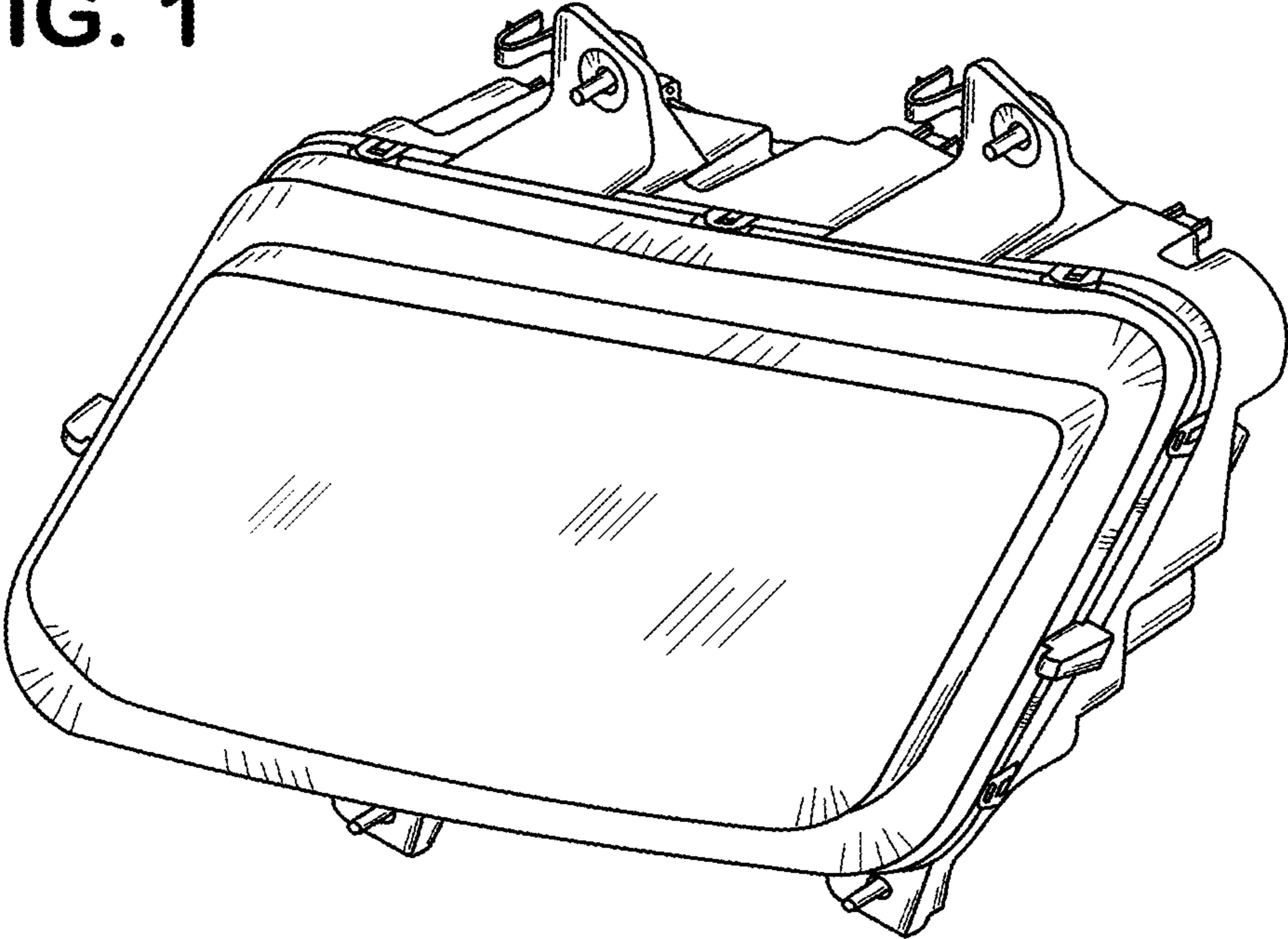
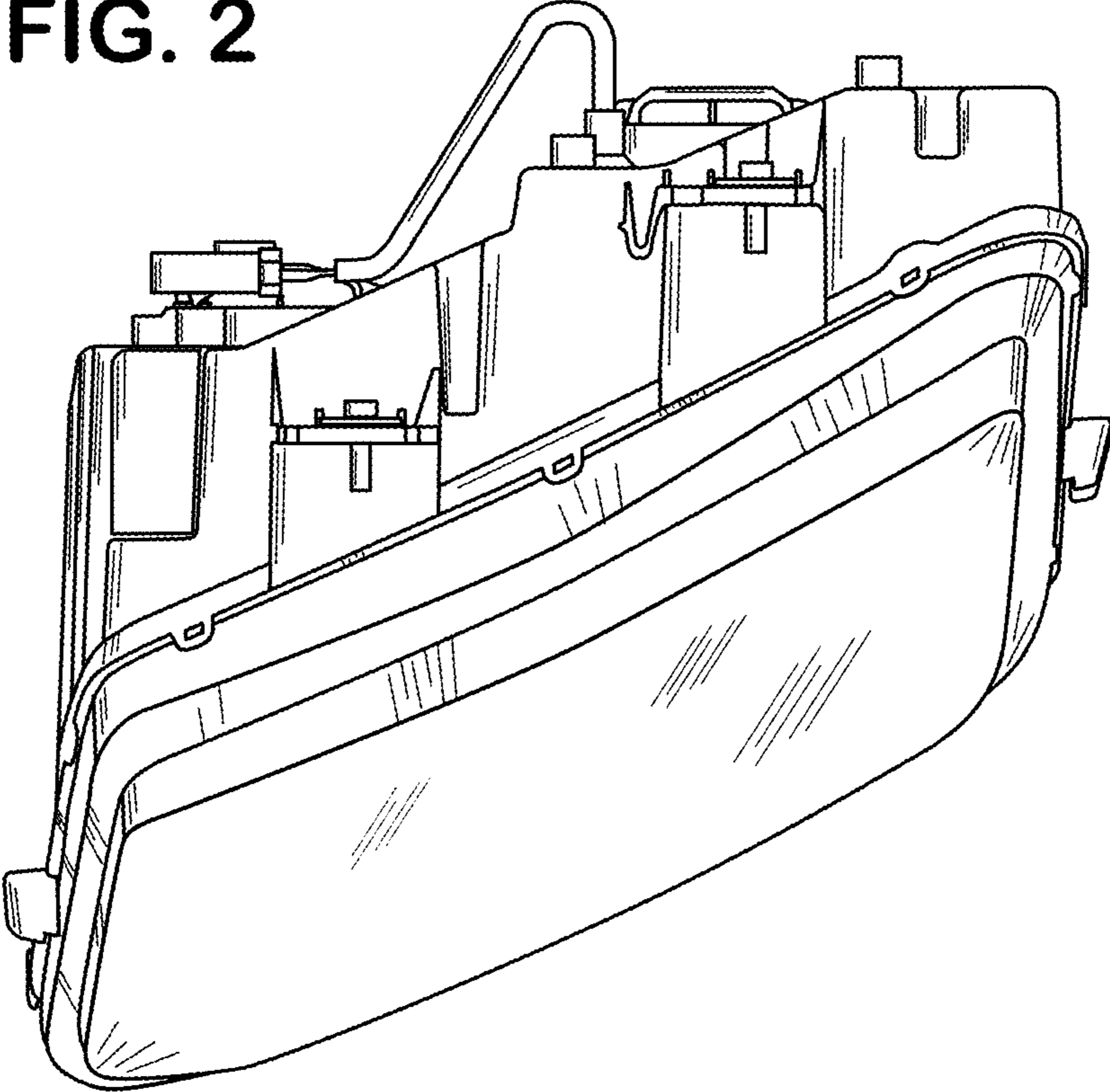


FIG. 2



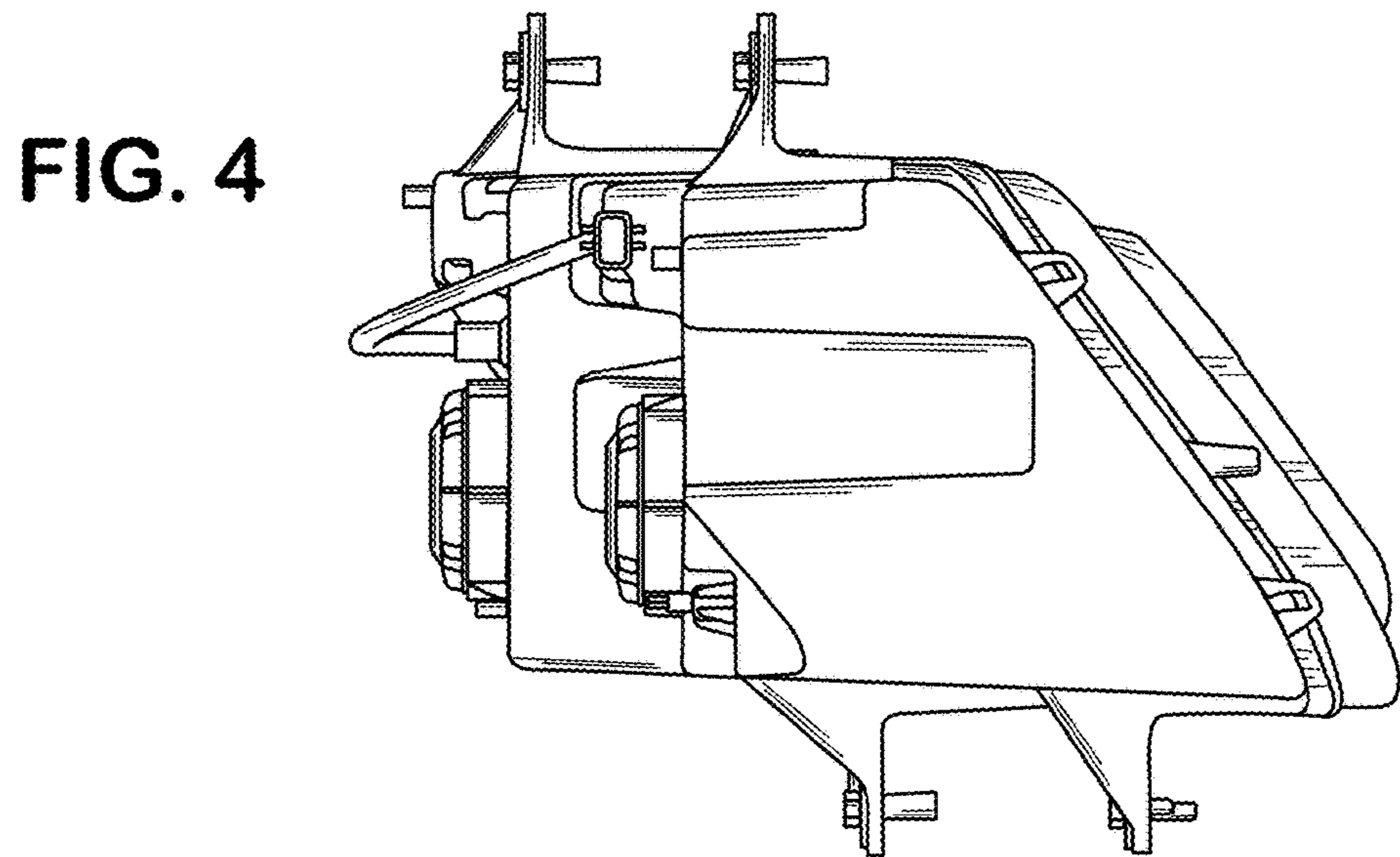
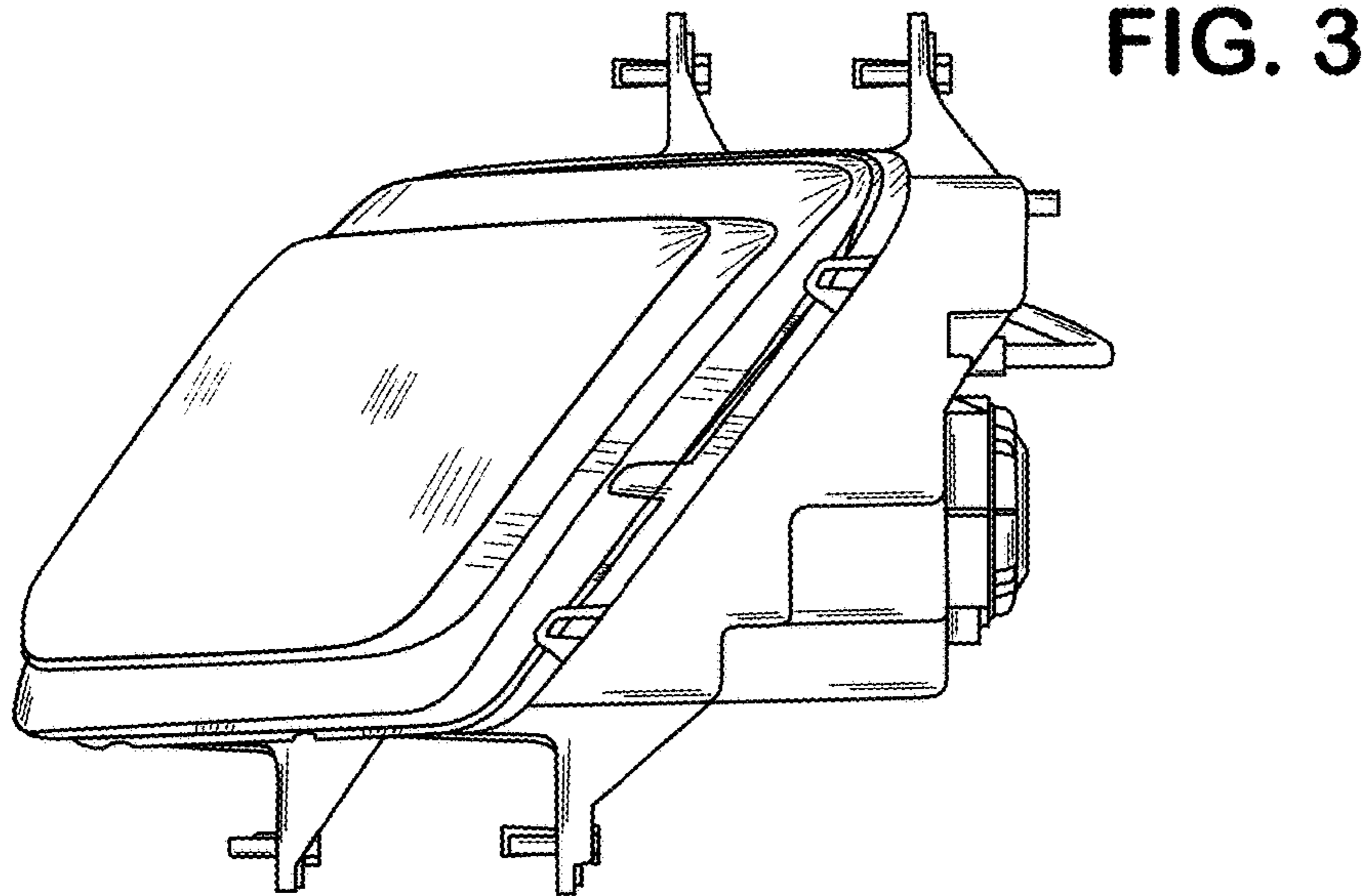


FIG. 5

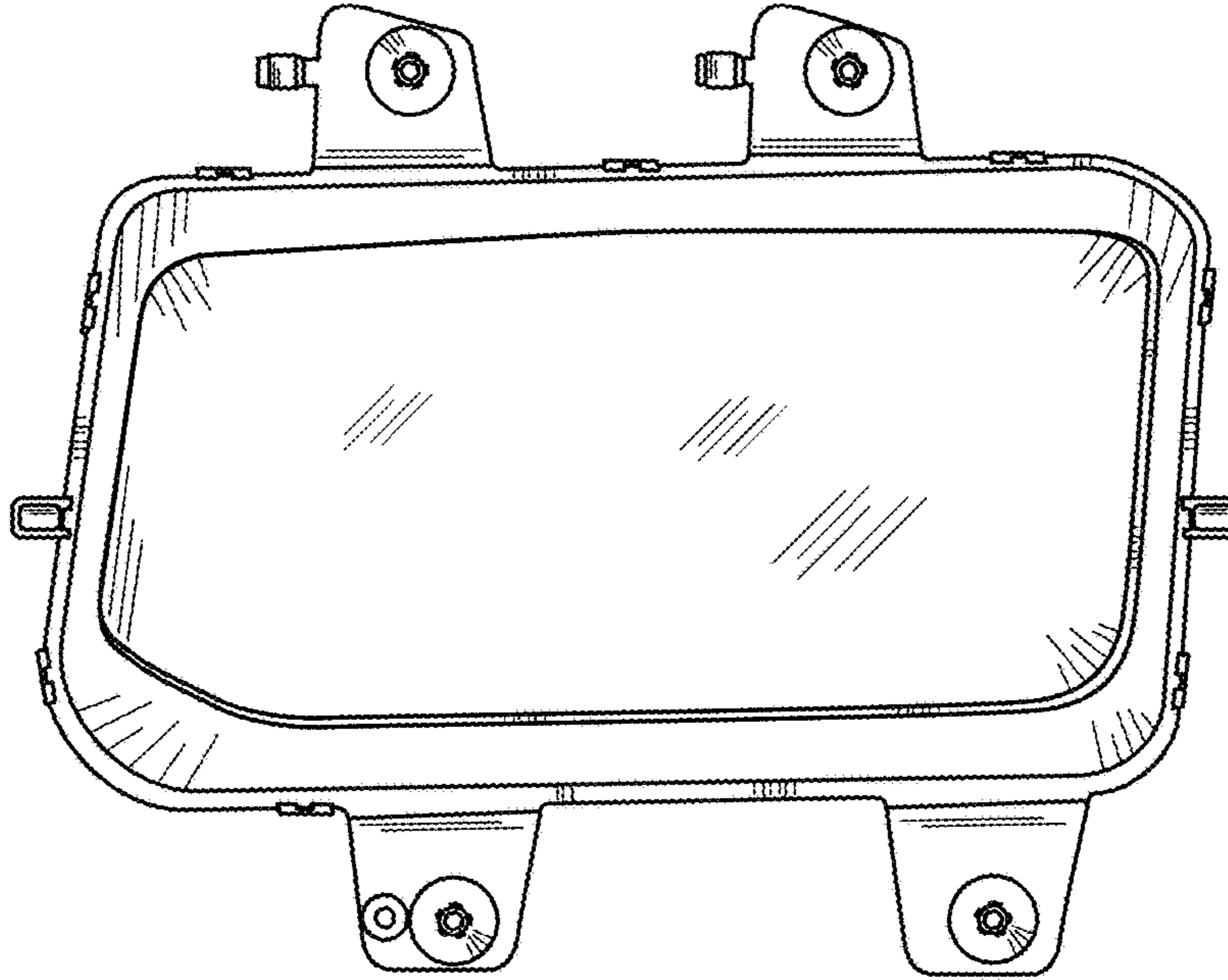


FIG. 6

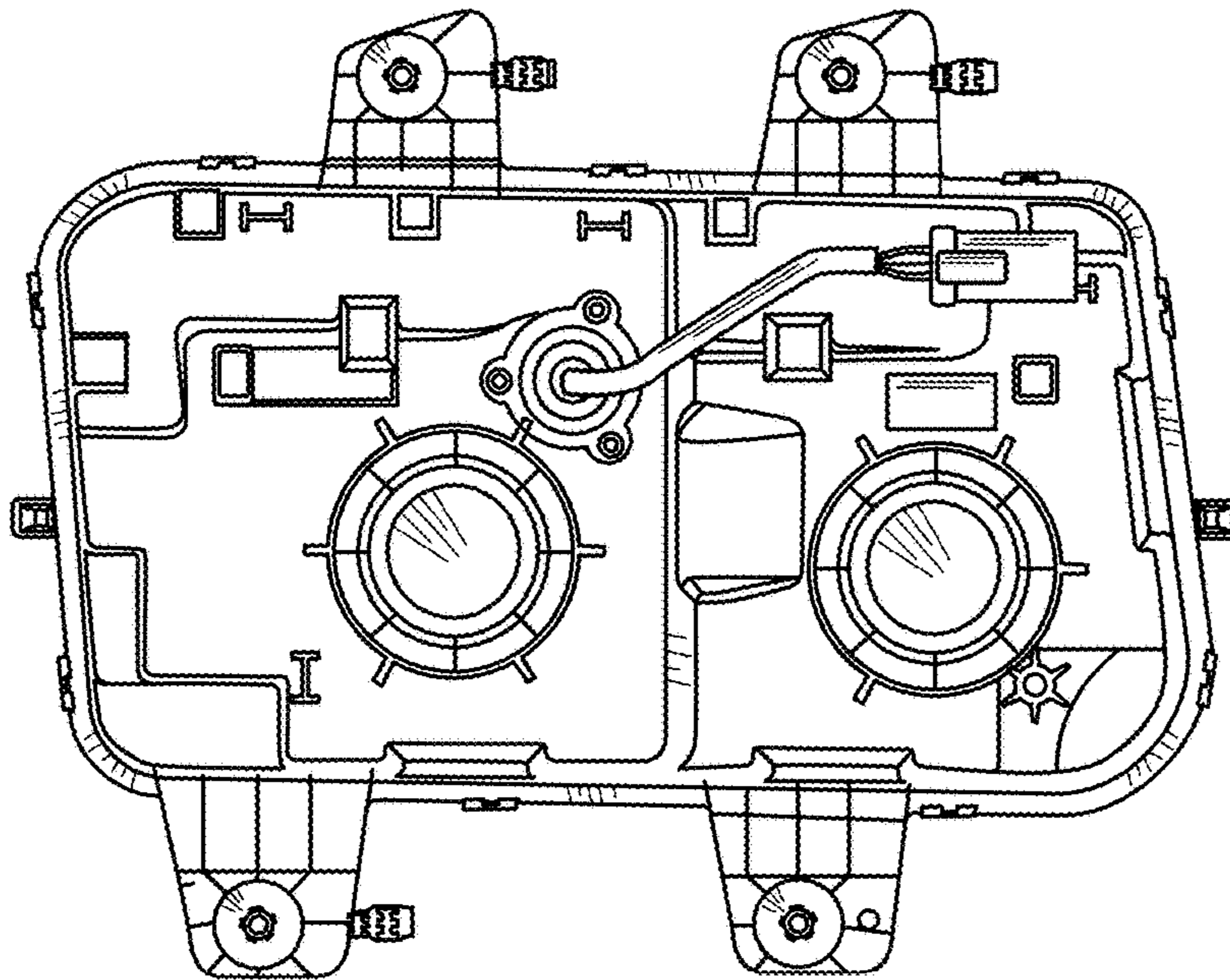


FIG. 7

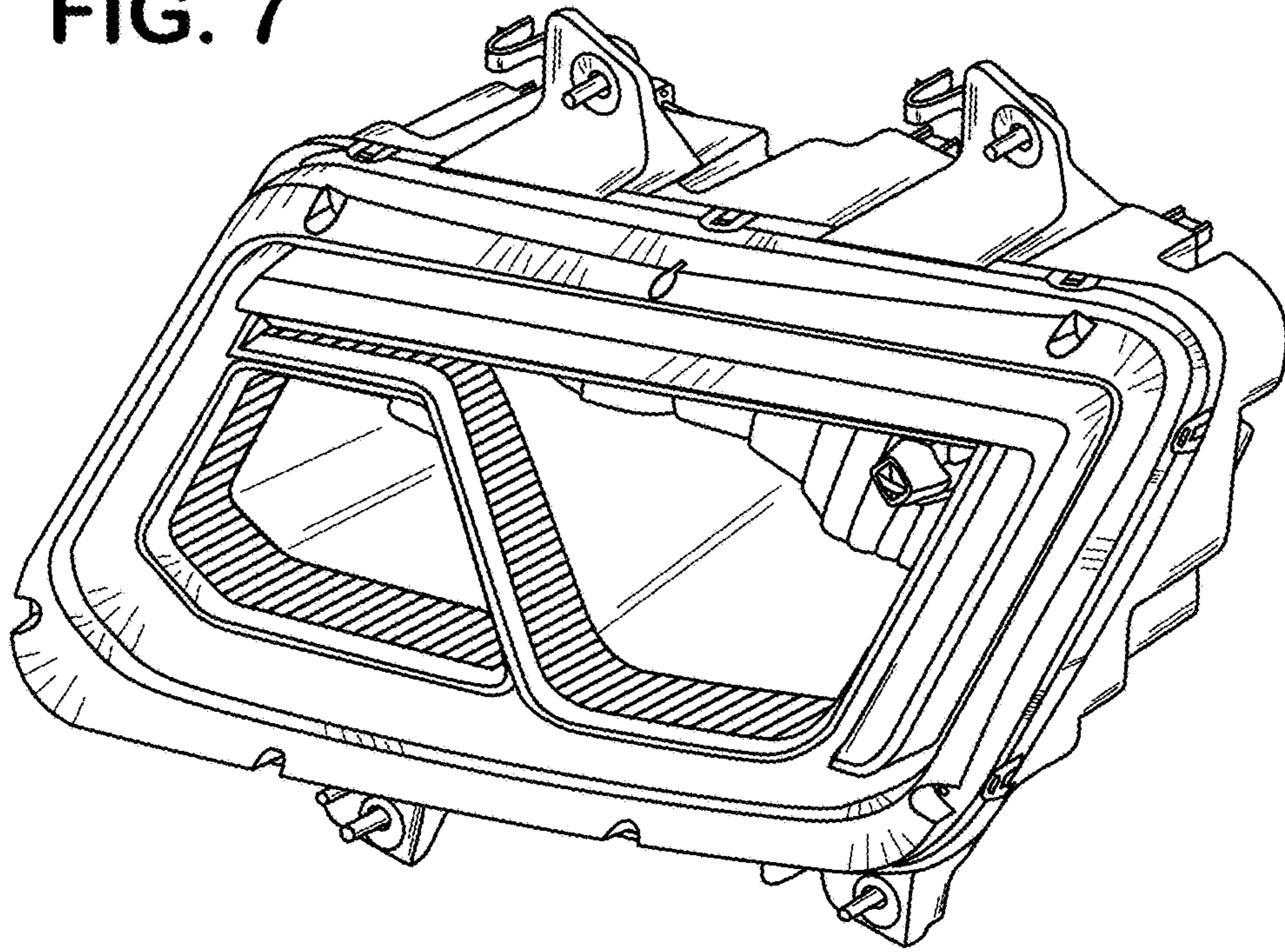
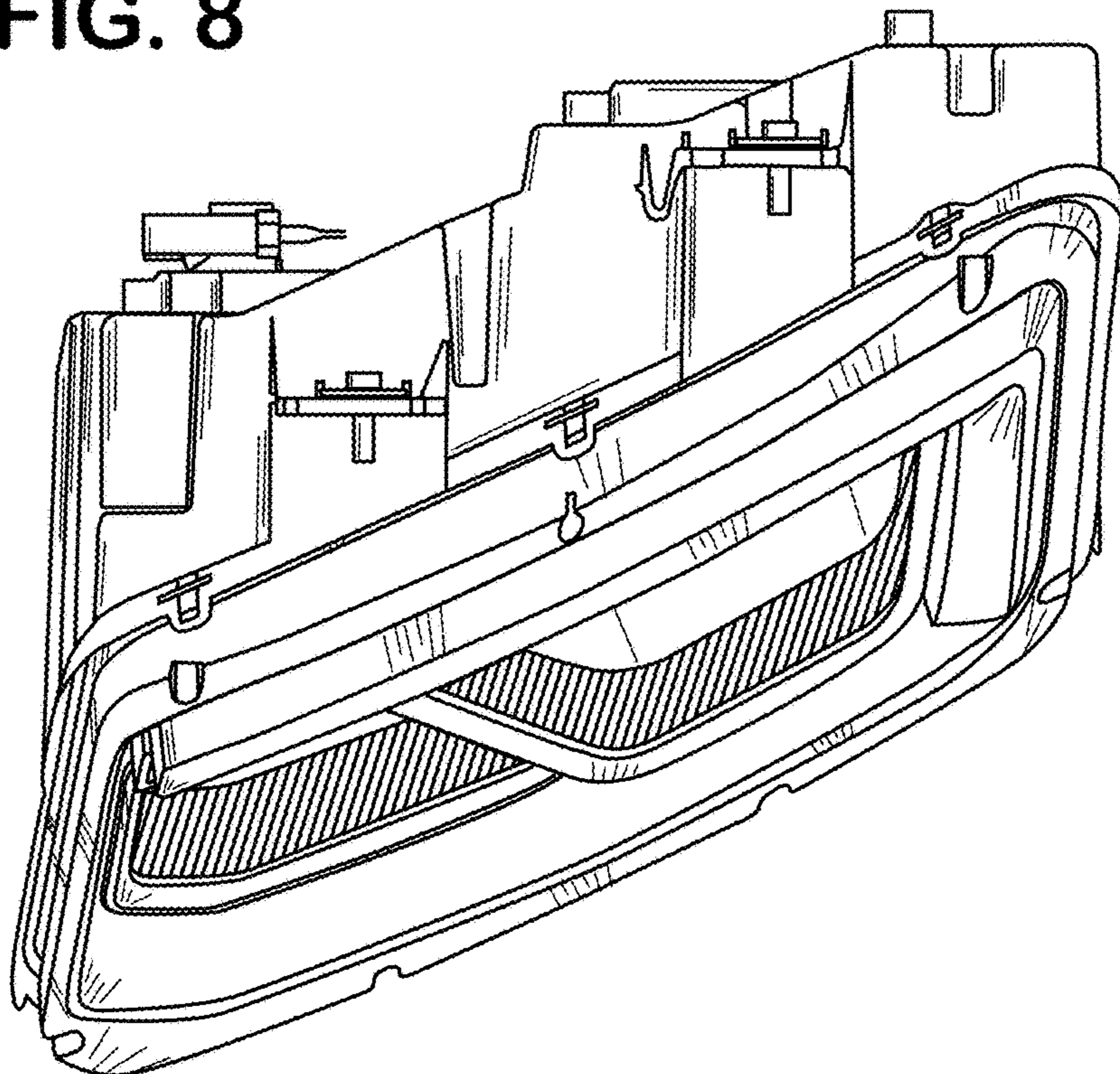


FIG. 8



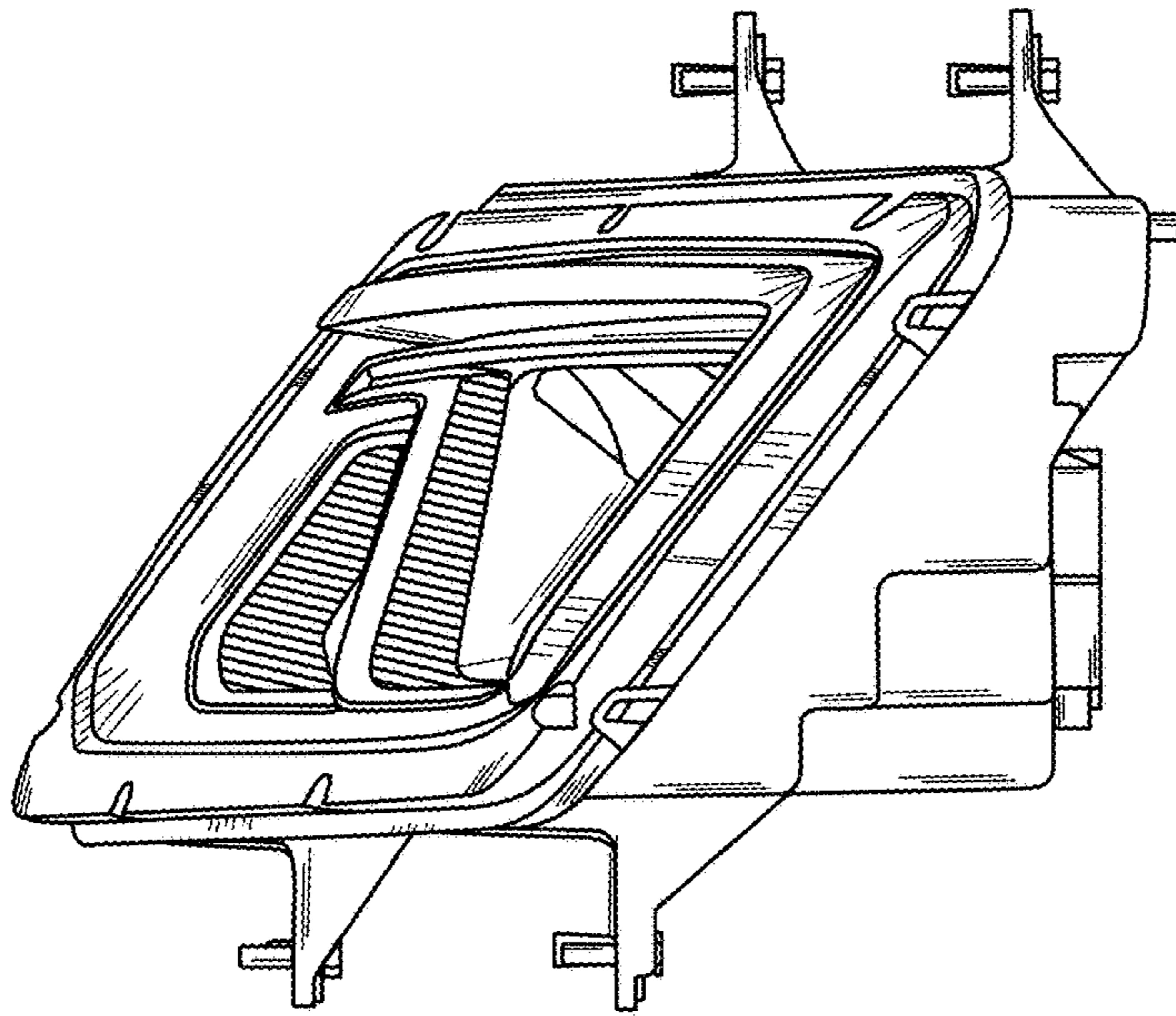


FIG. 9

FIG. 10

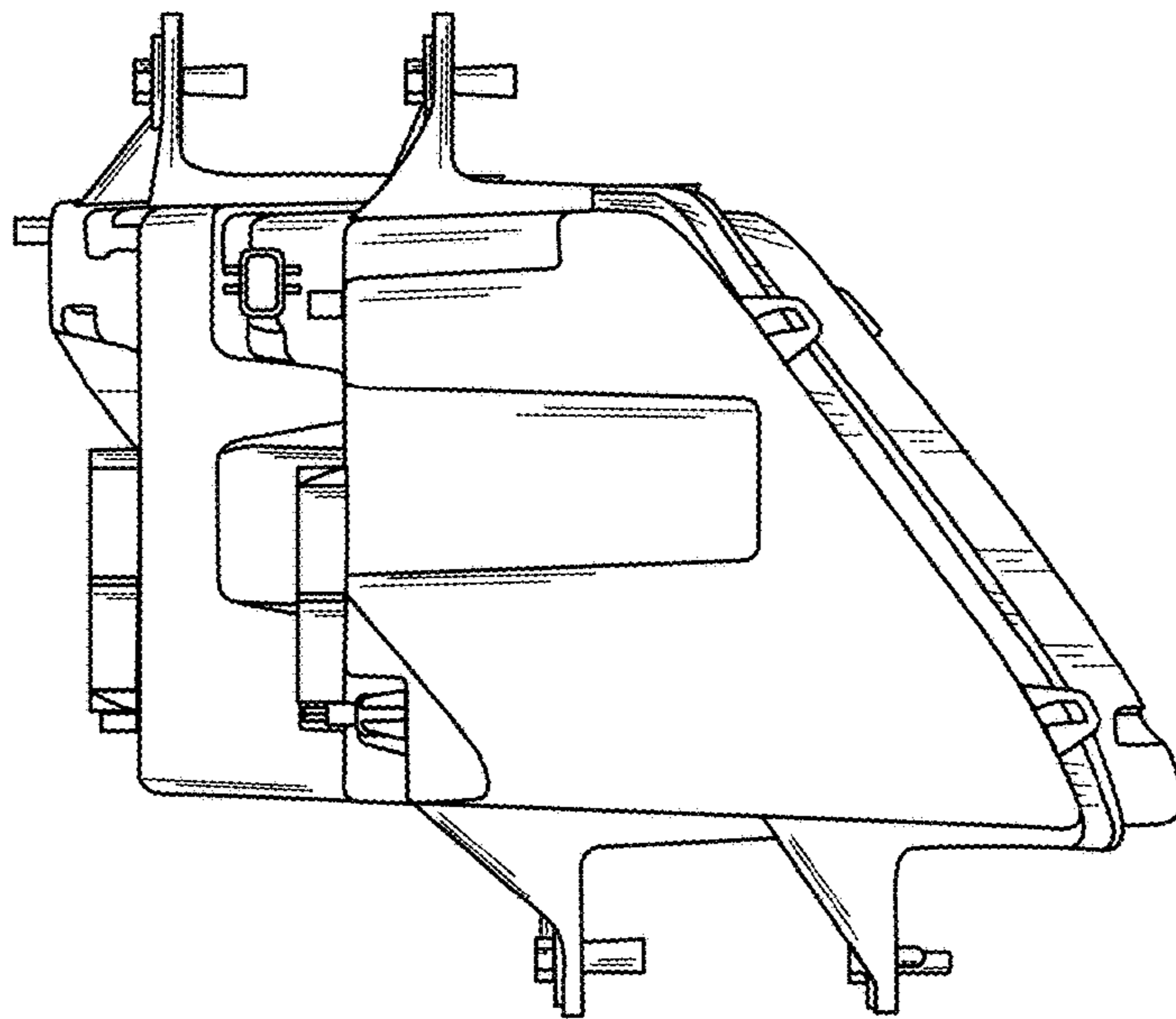


FIG. 11

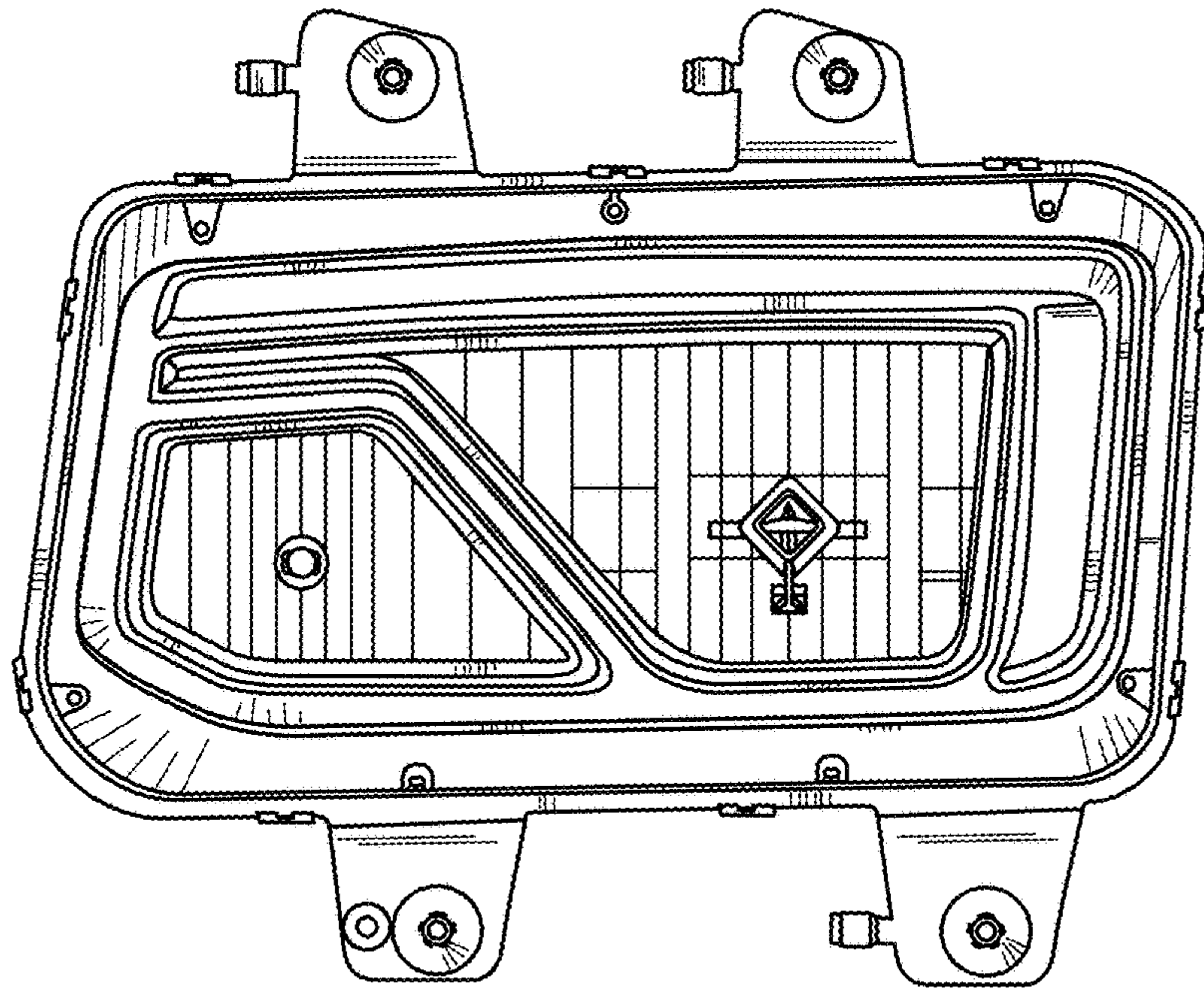


FIG. 12

