



US00D778469S

(12) **United States Design Patent** (10) **Patent No.:** **US D778,469 S**
Ito et al. (45) **Date of Patent:** **** Feb. 7, 2017**

(54) **HEADLIGHT OF A TRUCK VEHICLE**

(71) Applicant: **International Truck Intellectual Property Company, LLC**, Lisle, IL (US)

(72) Inventors: **Chris Ito**, Suger Grove, IL (US); **Glen Joel Durmisevich**, Rochester Hills, MI (US); **David James Olsen**, Aurora, IL (US)

(73) Assignee: **International Truck Intellectual Property Company, LLC**, Lisle, IL (US)

(**) Term: **15 Years**

(21) Appl. No.: **29/543,758**

(22) Filed: **Oct. 28, 2015**

(51) **LOC (10) Cl.** **26-06**

(52) **U.S. Cl.**
USPC **D26/28**

(58) **Field of Classification Search**
USPC D26/28-36; 362/80-83, 267-269, 362/459-468, 475-478, 485-487
CPC F21S 48/00; F21S 48/10; F21S 48/115; F21S 48/225; F21S 48/1233; F21S 48/1266; F21S 48/1388; F21V 21/04
See application file for complete search history.

(56) **References Cited**

U.S. PATENT DOCUMENTS

D527,123 S 8/2006 Beigel et al.
D528,681 S * 9/2006 Nakahara D26/28
D528,685 S * 9/2006 Yoshida D26/28
D539,947 S 4/2007 Lee et al.

D544,114 S * 6/2007 Ohta D26/28
D544,614 S * 6/2007 Markefka D26/28
D549,857 S * 8/2007 Lin D26/28
D561,358 S * 2/2008 Tachibana D26/28
D592,324 S 5/2009 Beigel et al.
D640,826 S 6/2011 Beigel et al.
D696,443 S 12/2013 Ito et al.

* cited by examiner

Primary Examiner — Marcus Jackson

(74) *Attorney, Agent, or Firm* — Jeffrey P. Calfa; Mark C. Bach

(57) **CLAIM**

The ornamental designs for a headlamp for a truck vehicle, as shown and described.

DESCRIPTION

FIG. 1 is an isometric view of a first embodiment of the headlamp for a truck vehicle showing my/our new design; FIG. 2 is a top plan view of FIG. 1; FIG. 3 is a front view of FIG. 1; FIG. 4 is a back view of FIG. 1; FIG. 5 is a left side view of FIG. 1; FIG. 6 is a right side view of FIG. 1; FIG. 7 is a front perspective view of a second embodiment of a headlight for a truck vehicle showing my new design, wherein the only difference resides in the omission of the lens; FIG. 8 is a top plan view of FIG. 7; FIG. 9 is a back view of FIG. 7; FIG. 10 is a front view of FIG. 7; FIG. 11 is a left side view of FIG. 7; and, FIG. 12 is a right side view of FIG. 7.

1 Claim, 6 Drawing Sheets

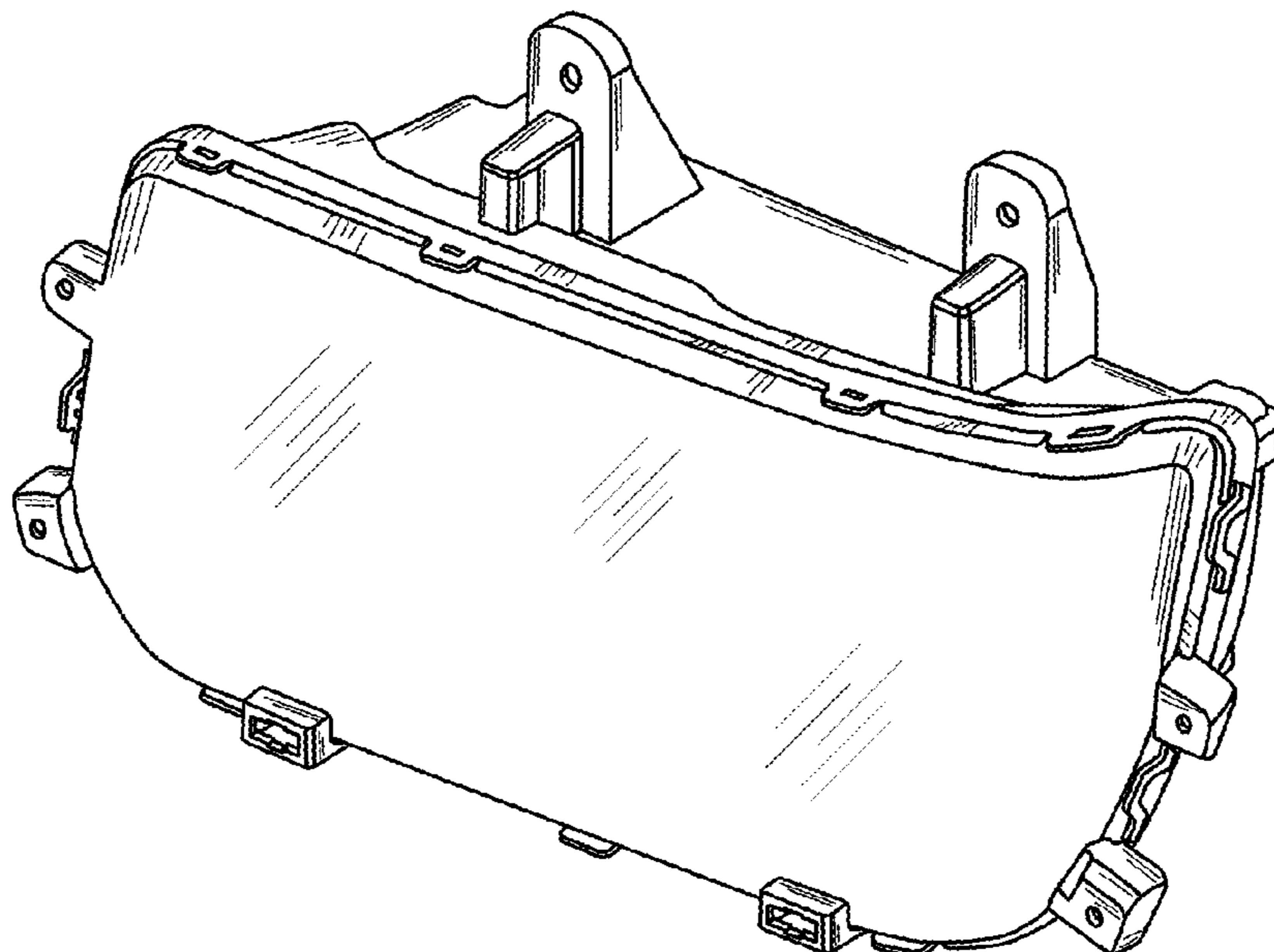


FIG. 1

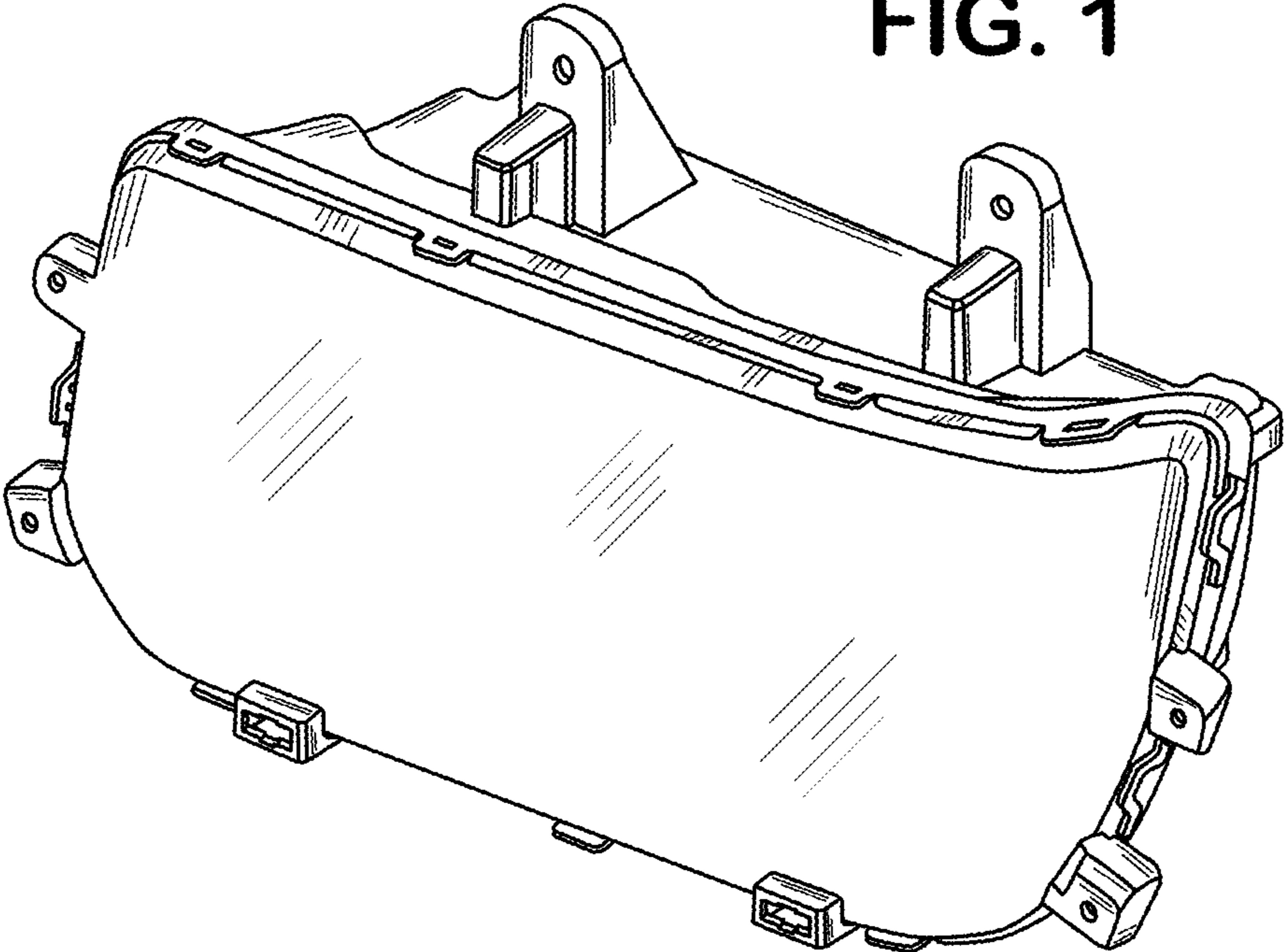


FIG. 2

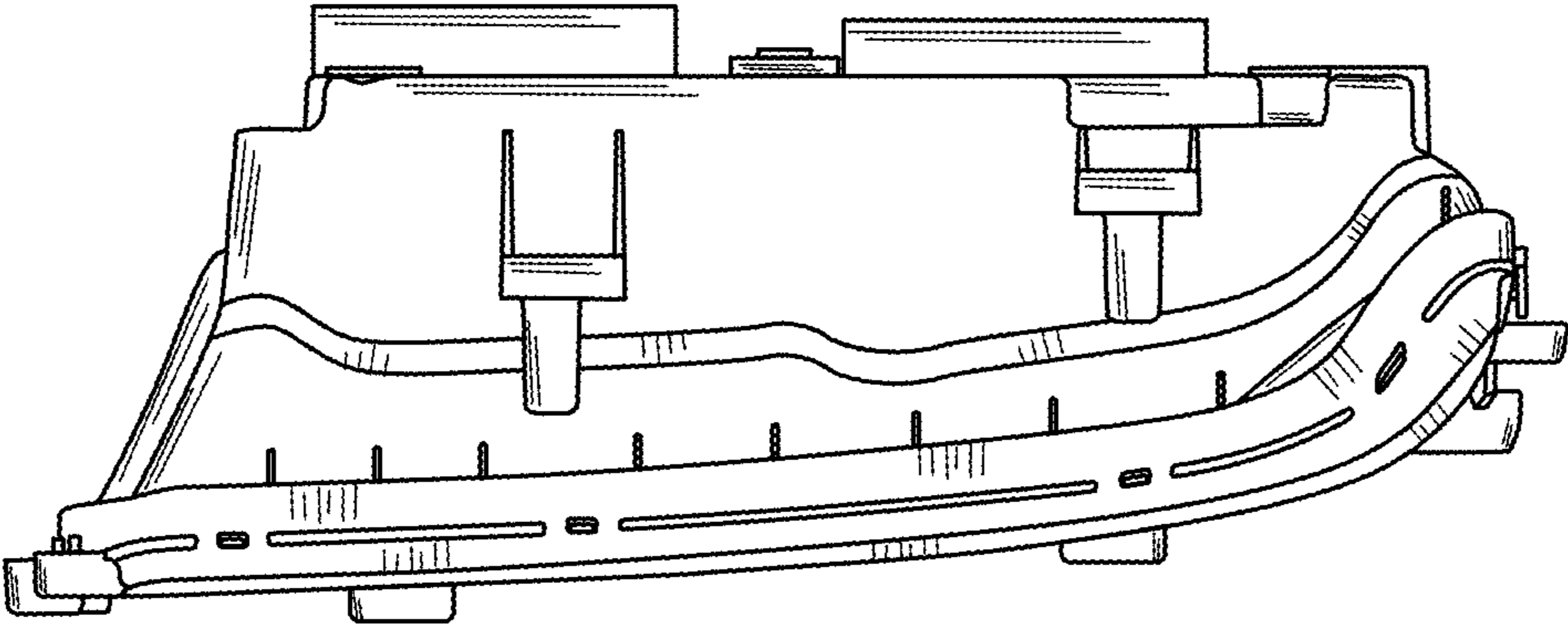


FIG. 3

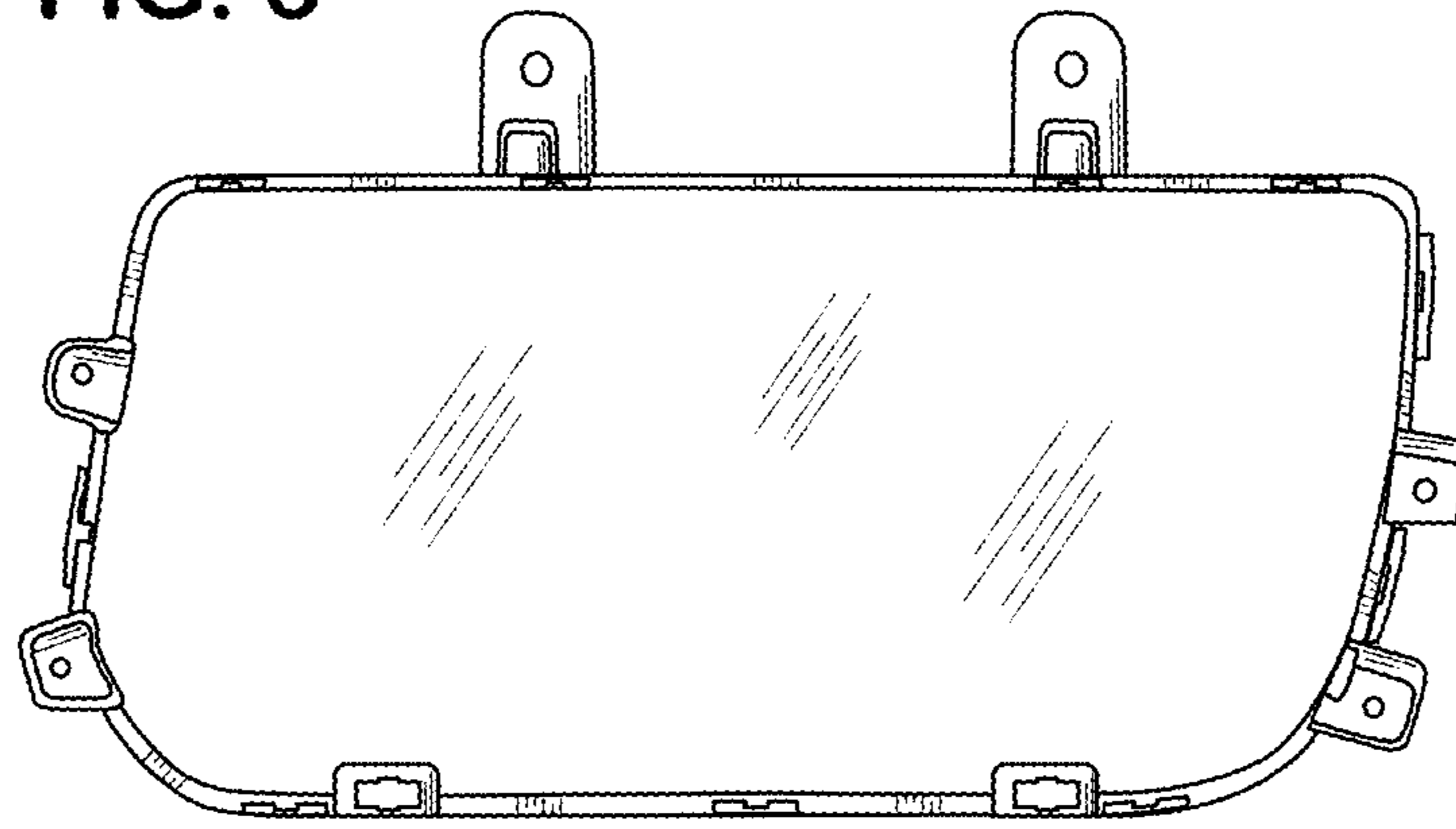


FIG. 4

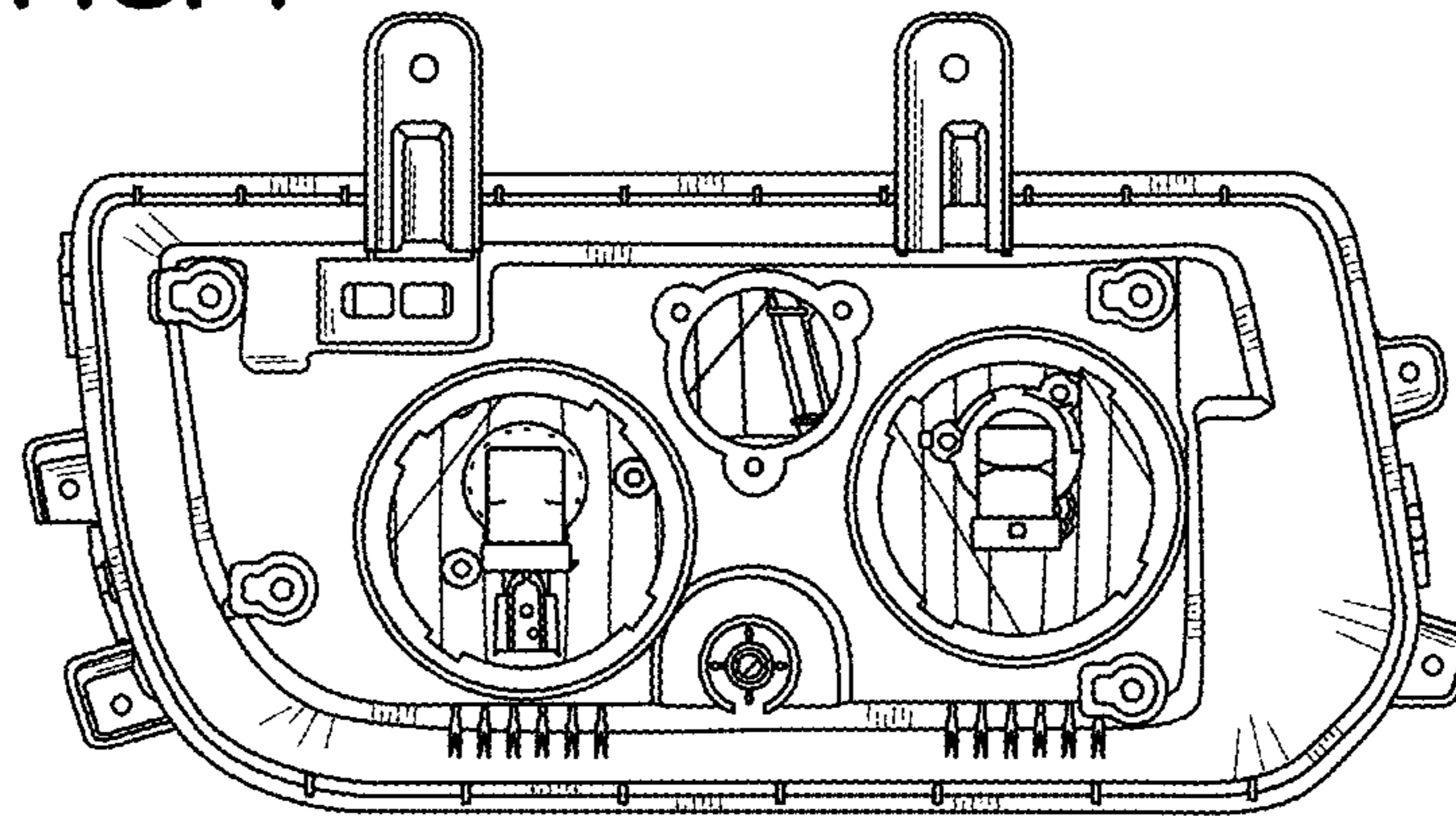


FIG. 5

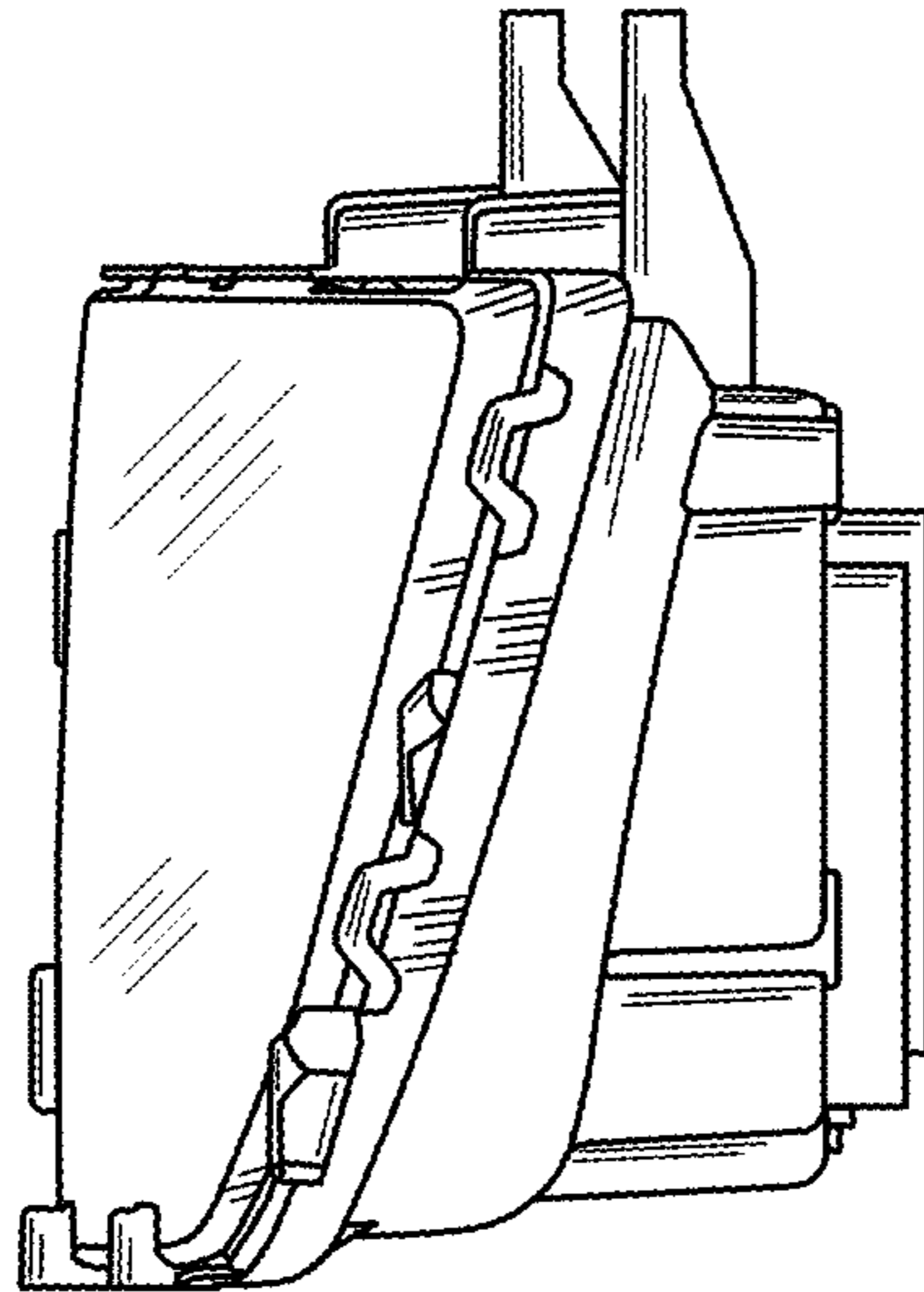


FIG. 6

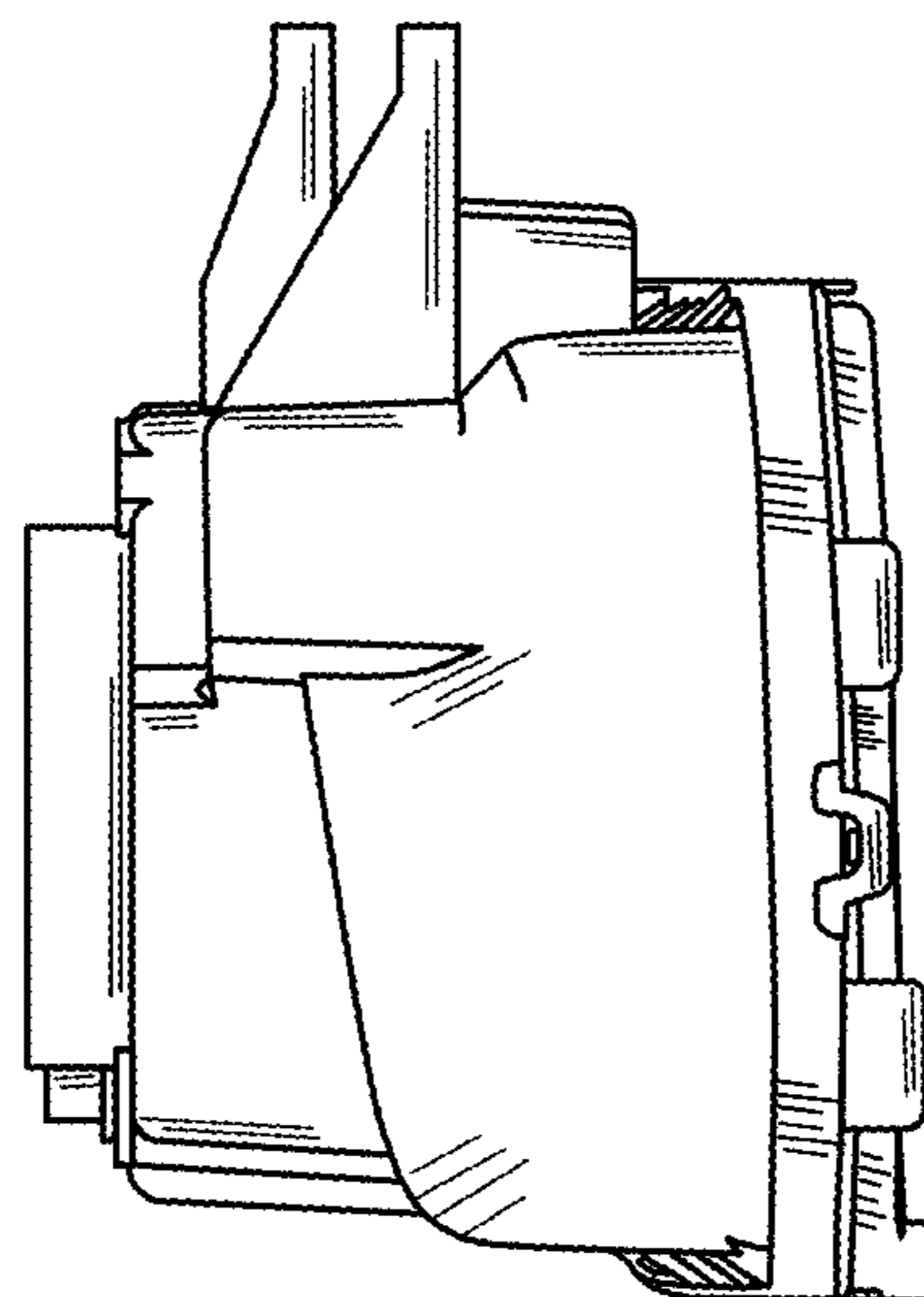


FIG. 7

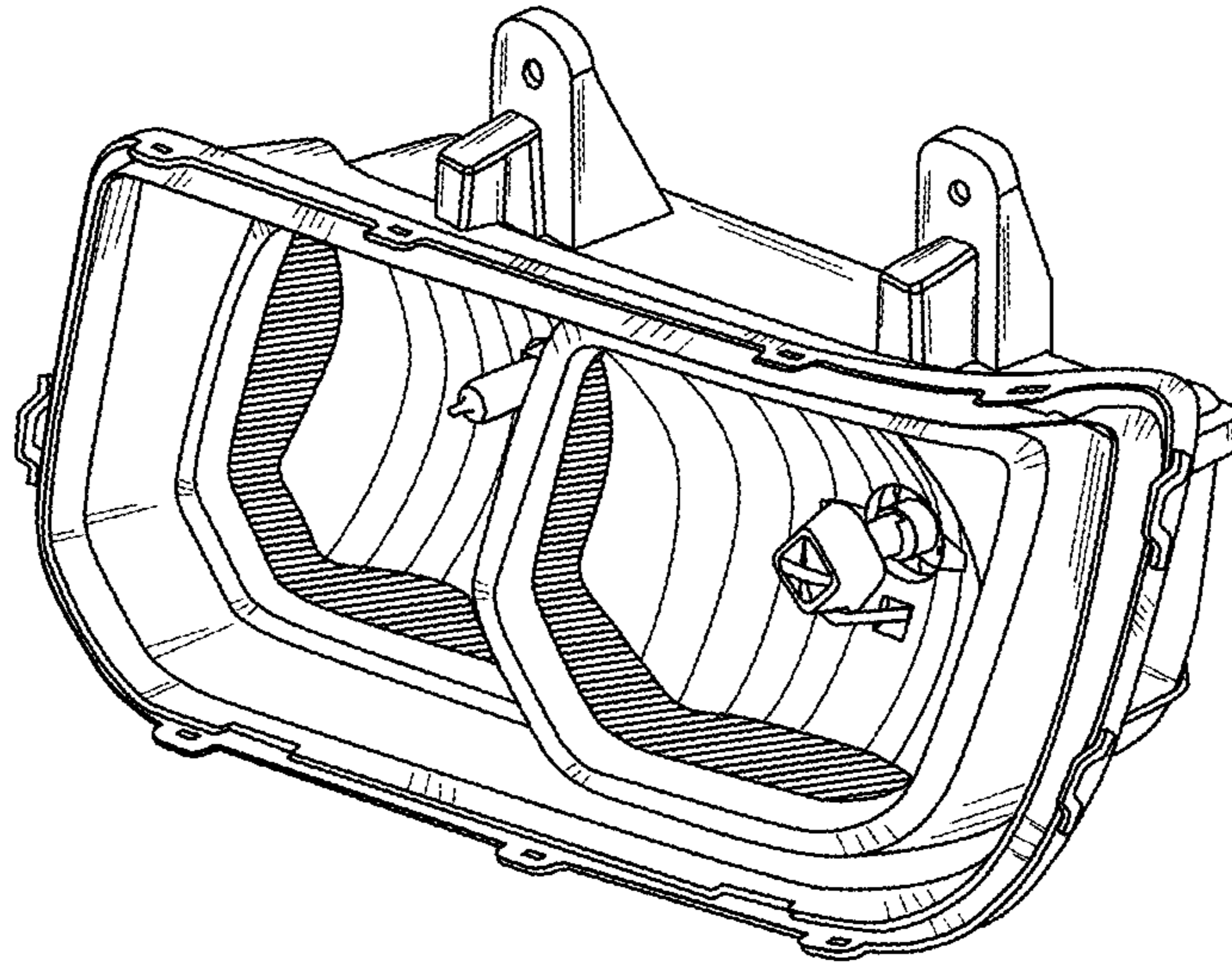


FIG. 8

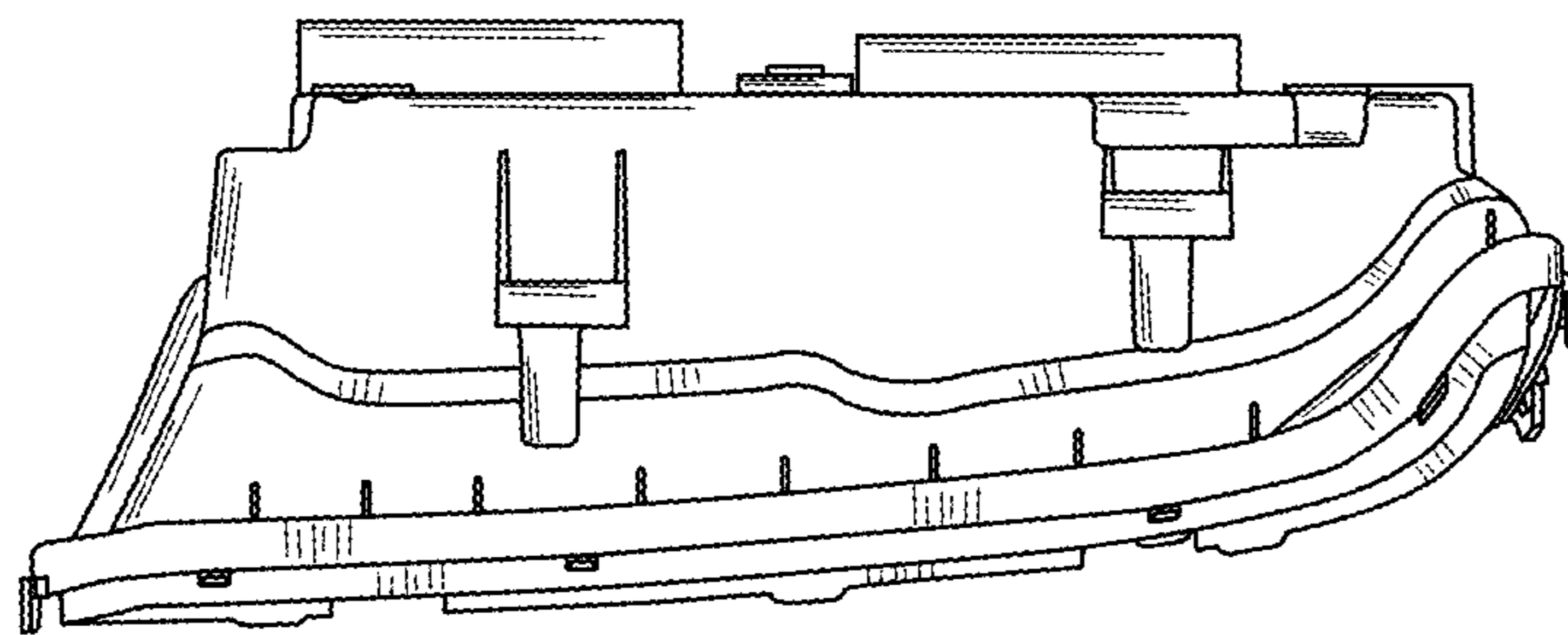


FIG. 9

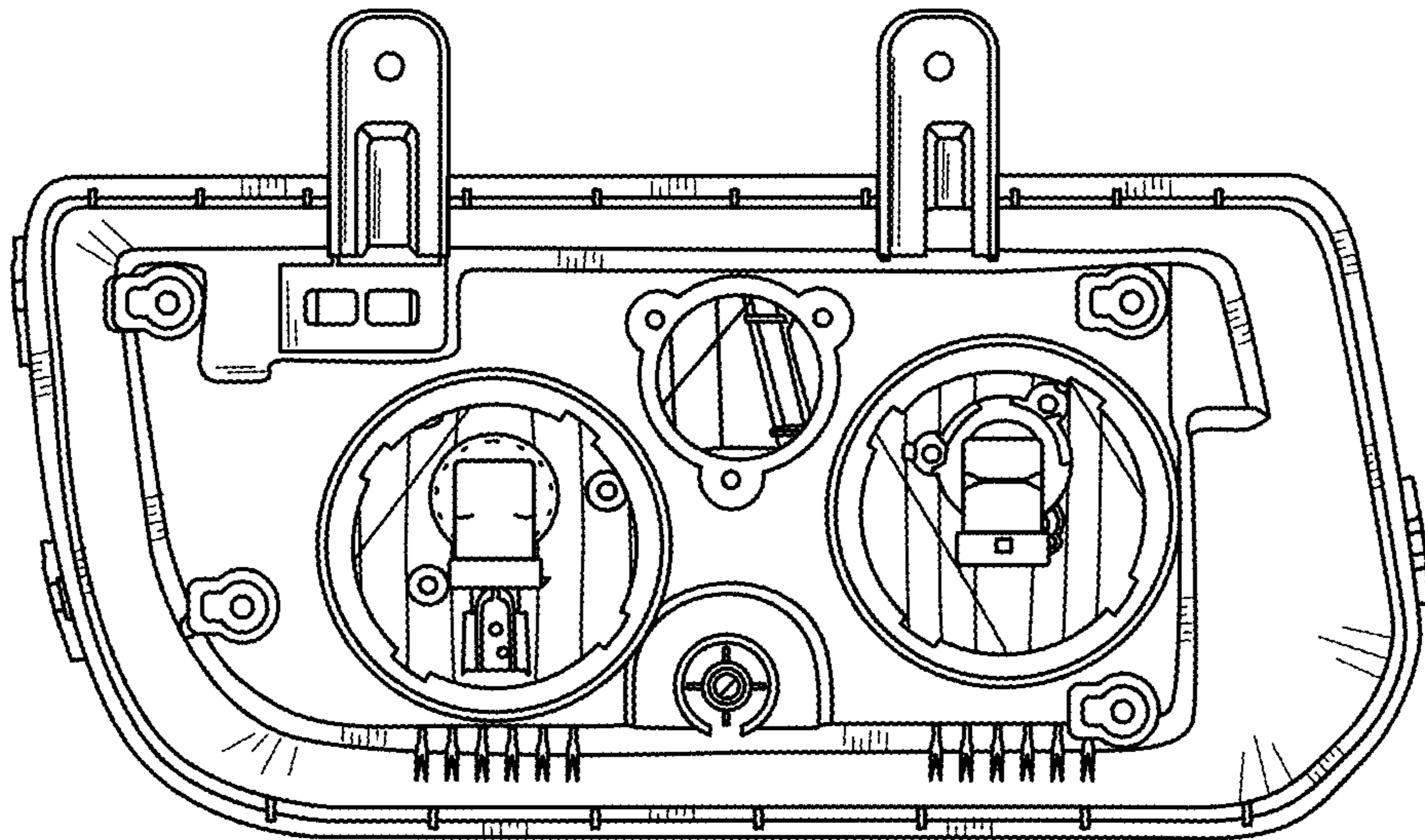


FIG. 10

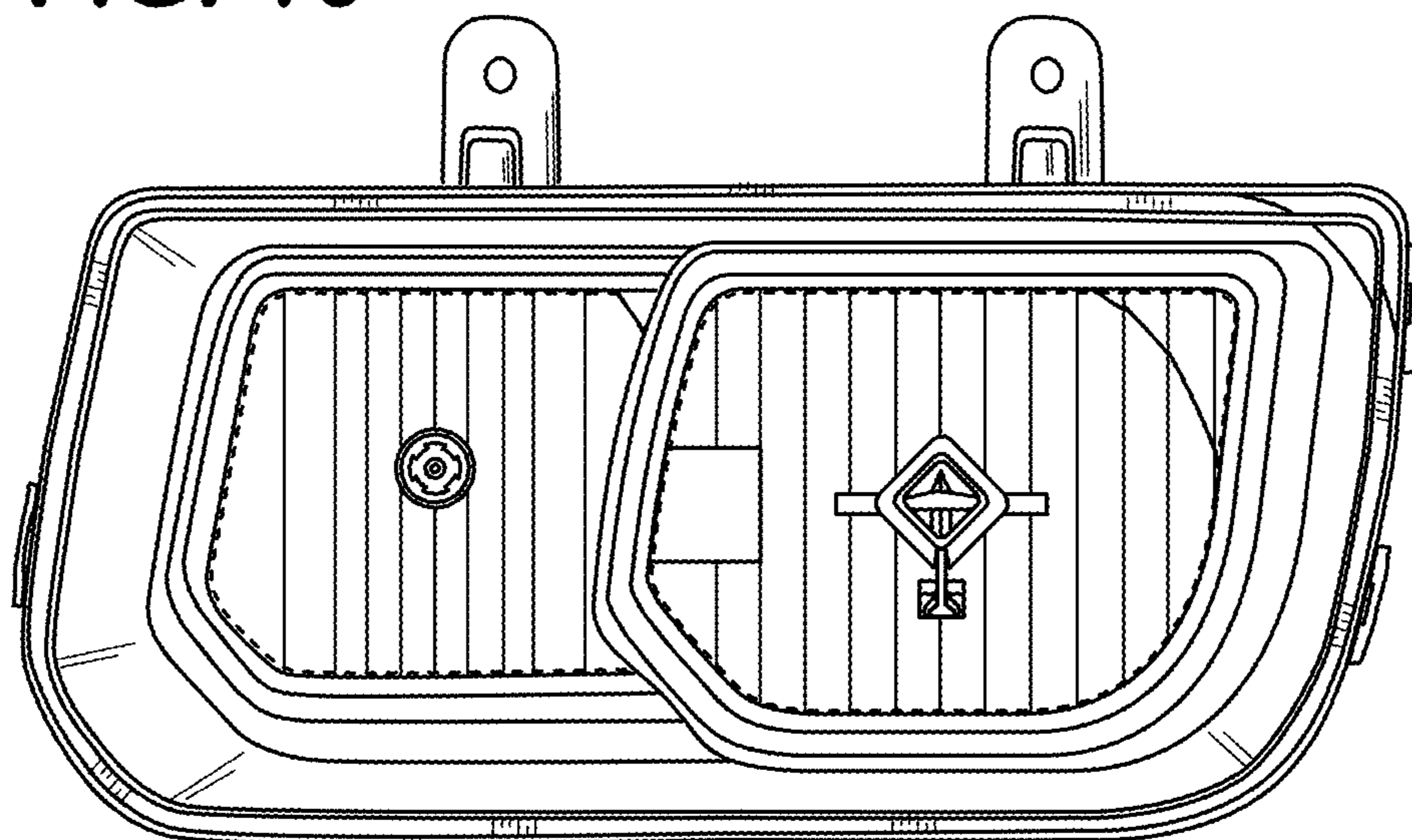


FIG. 11

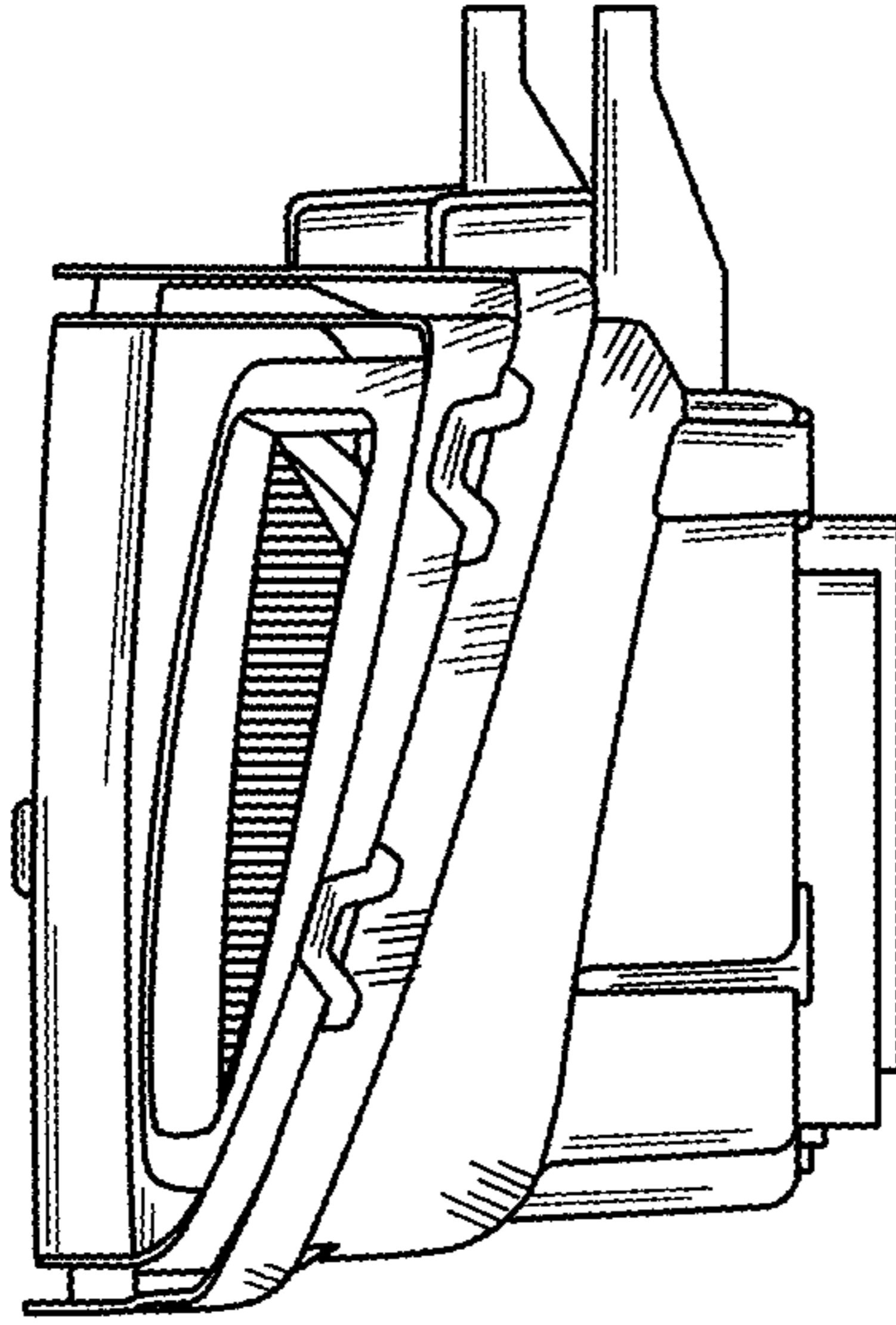


FIG. 12

