



US00D778465S

(12) **United States Design Patent**
Zombek

(10) **Patent No.:** **US D778,465 S**

(45) **Date of Patent:** **** Feb. 7, 2017**

(54) **ARCHITECTURAL METAL BUILDING PANEL**

archive.org/web/20130426150101/http://firestonebpc.com/wall/profile-panels/concealed-fastener-panels/delta-cfp-162c/ (2 pages).*

(71) Applicant: **Centria**, Moon Township, PA (US)

(Continued)

(72) Inventor: **Thomas J. Zombek**, Canonsburg, PA (US)

Primary Examiner — Vy Koenig
Assistant Examiner — Kimberly Barnes

(73) Assignee: **CENTRIA**, Moon Township, PA (US)

(74) *Attorney, Agent, or Firm* — The Webb Law Firm

(**) Term: **14 Years**

(57) **CLAIM**

(21) Appl. No.: **29/494,091**

The ornamental design for an architectural metal building panel, as shown and described.

(22) Filed: **Jun. 17, 2014**

DESCRIPTION

Related U.S. Application Data

(62) Division of application No. 29/434,163, filed on Oct. 10, 2012, now Pat. No. Des. 713,978.

(51) **LOC (10) Cl.** **25-01**

(52) **U.S. Cl.**
USPC **D25/141**

(58) **Field of Classification Search**
USPC D25/141, 38.1, 39, 119, 121, 125
(Continued)

FIG. 1 is an upper left front perspective view of an architectural metal building panel showing my new design in accordance with a first embodiment of the present invention; FIG. 2 is a left side elevation view, the right side elevation view being a mirror image of the left side elevation view; FIG. 3 is a front elevation view thereof;

FIG. 4 is an upper left front perspective view of an architectural metal building panel showing my new design in accordance with a second embodiment of the present invention;

FIG. 5 is a left side elevation view, the right side elevation view being a mirror image of the left side elevation view; and,

FIG. 6 is a front elevation view thereof.

The broken line showings in the drawings illustrate features of the architectural metal building panel that forms no part of the claimed design. The right side views of the individual embodiments are not provided, as the right side view of each embodiment is a mirror image of the corresponding left side view. The architectural metal building panel is shown with a symbolic break in its length. The appearance of any portion of the article beyond what is shown in solid lines forms no part of the claimed design.

(56) **References Cited**

U.S. PATENT DOCUMENTS

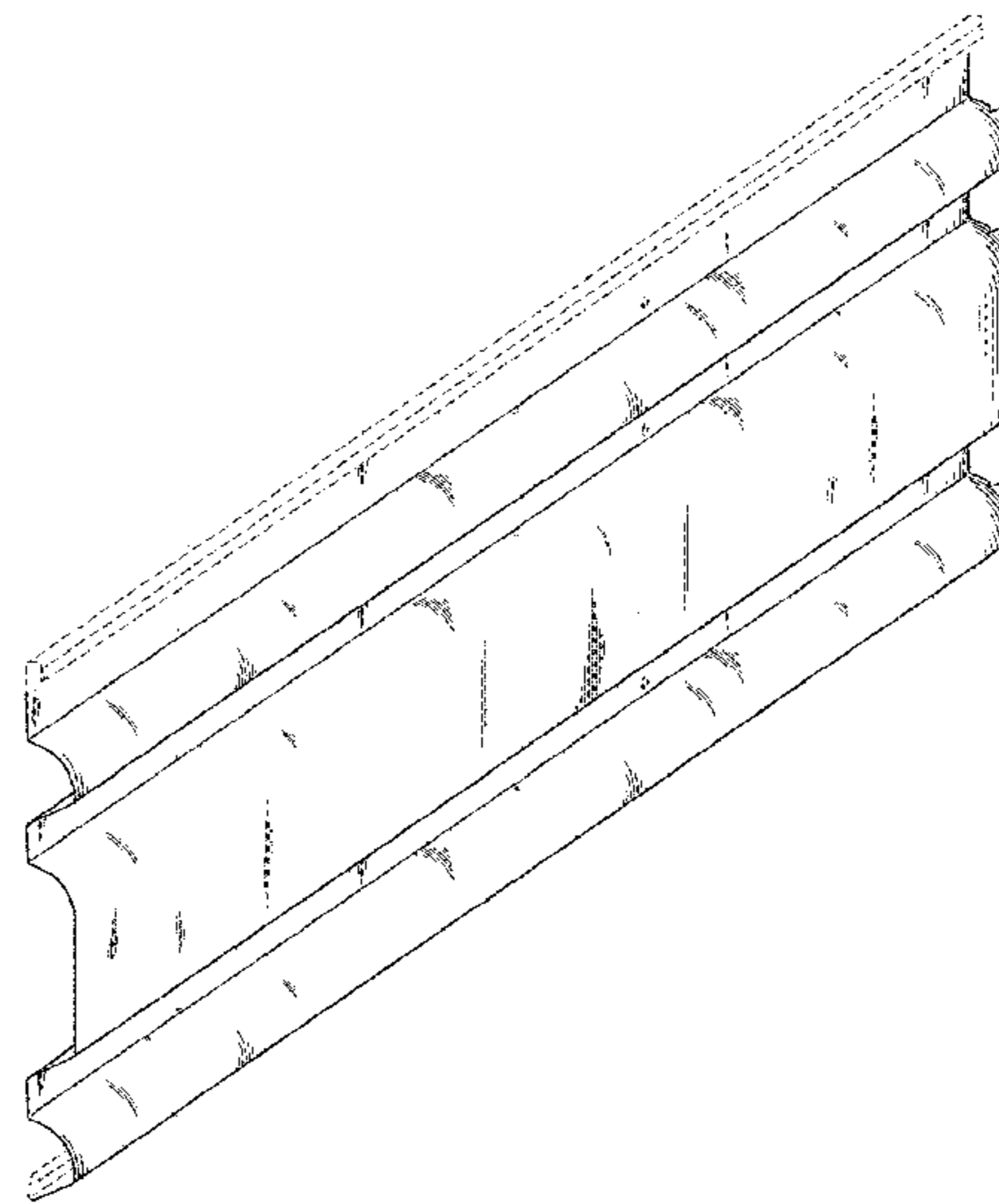
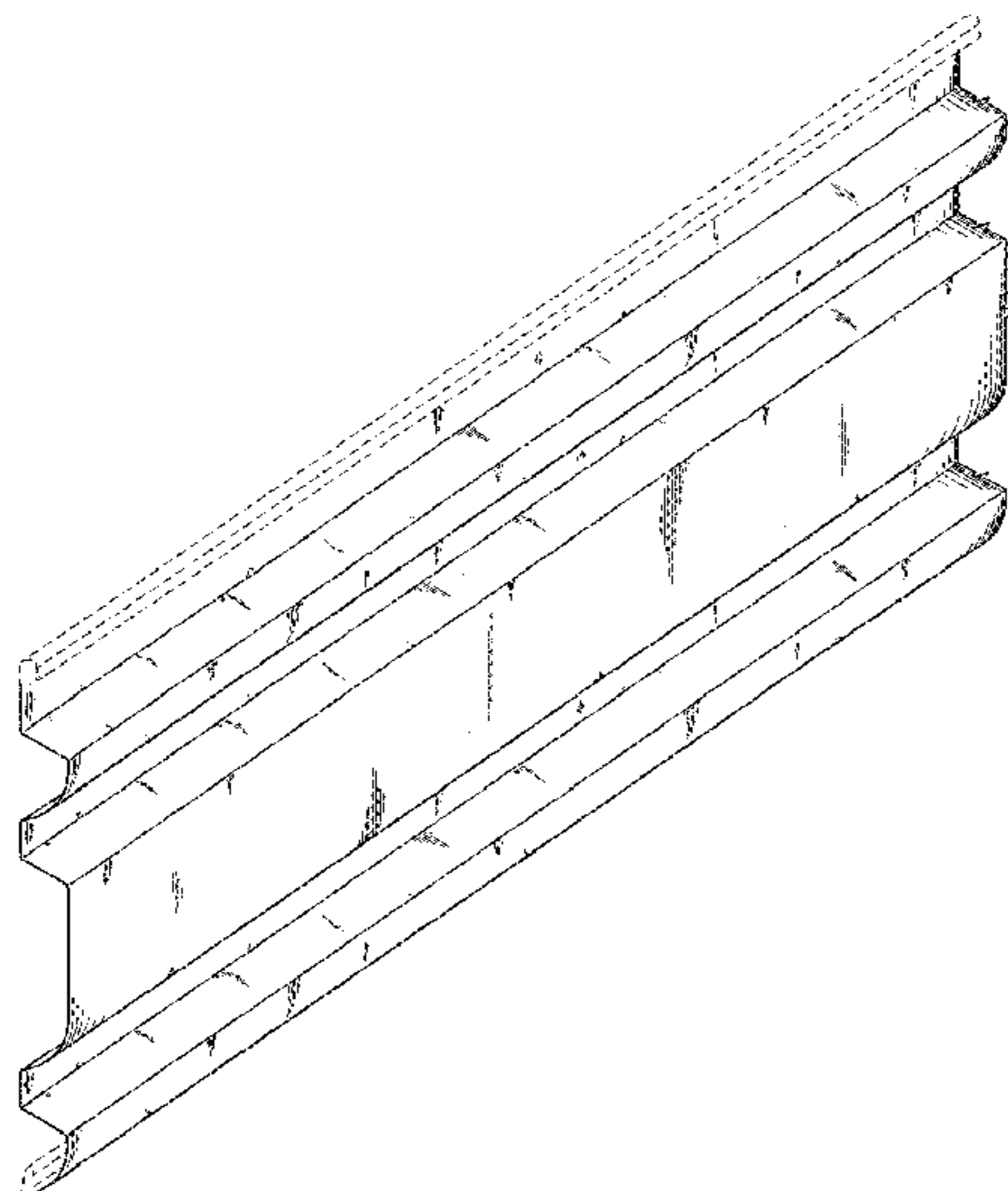
308,826 A * 12/1884 Butz E04C 2/32
52/630
520,371 A * 5/1894 Mullins E04D 3/362
52/520

(Continued)

OTHER PUBLICATIONS

Firestone Building Products Delta CFP-162C (on-line), dated Apr. 26, 2013. Retrieved from Internet Sep. 30, 2016, URL: <https://web>.

1 Claim, 4 Drawing Sheets



(58) **Field of Classification Search**
 CPC E04D 3/30; E04D 3/362; E04D 11/02;
 E04D 13/165; E04D 13/1643; E04B
 1/6141; E04B 2/96; E04B 5/40; E04G
 21/3261; E04G 23/0218; E06B
 9/02; E06B 2003/7044; E04C 2/322
 See application file for complete search history.

(56) **References Cited**

U.S. PATENT DOCUMENTS

2,406,863	A *	9/1946	Swann	B61D 17/12	
						105/410
3,041,784	A *	7/1962	Facer	E04D 3/30	
						52/521
3,218,772	A	11/1965	Martin			
3,305,994	A	2/1967	Amrhein et al.			
4,178,731	A *	12/1979	Petersson	E04D 3/30	
						52/520
D259,143	S	5/1981	Aktinson			
5,524,409	A	6/1996	Kaiser			
5,651,227	A	7/1997	Anderson			
5,752,355	A *	5/1998	Sahramaa	E04D 3/30	
						52/519
5,775,042	A	7/1998	Mowery et al.			
5,875,592	A *	3/1999	Allman	E04D 13/165	
						52/198
5,911,663	A *	6/1999	Eidson	E04D 3/3608	
						52/409
D421,137	S	2/2000	Marshall			
6,141,932	A *	11/2000	Tarrant	E04B 5/40	
						52/127.11
D449,120	S	10/2001	Kulik			
D479,751	S	9/2003	Schofield			
D497,434	S	10/2004	Brabeck			
6,823,799	B2 *	11/2004	Gleave	E04G 21/3261	
						104/111
D527,834	S	9/2006	Thimons et al.			
D538,948	S	3/2007	Thimons et al.			
8,029,913	B2 *	10/2011	Mann	B21D 13/04	
						256/73
D667,963	S *	9/2012	Griffiths	D25/125	
D668,353	S *	10/2012	Griffiths	D25/119	
D668,354	S *	10/2012	Griffiths	D25/119	
D668,356	S *	10/2012	Griffiths	D25/125	
D668,357	S	10/2012	Griffiths			

D677,402	S *	3/2013	Griffiths	D25/119	
D677,403	S *	3/2013	Griffiths	D25/119	
D677,404	S *	3/2013	Griffiths	D25/119	
D679,834	S	4/2013	Griffiths			
D687,976	S	8/2013	Griffiths			
D687,977	S *	8/2013	Griffiths	D25/119	
D690,442	S *	9/2013	Griffiths	D25/119	
D690,838	S	10/2013	Griffiths			
D698,046	S *	1/2014	Griffiths	D25/141	
8,621,810	B2 *	1/2014	Manser	E04B 1/4178	
						52/235

D698,944	S	2/2014	Griffiths			
D698,946	S	2/2014	Griffiths			
D698,947	S	2/2014	Griffiths			
D700,364	S *	2/2014	Griffiths	D25/119	
D700,365	S *	2/2014	Griffiths	D25/119	
D700,366	S *	2/2014	Griffiths	D25/119	
D704,862	S *	5/2014	Boccuzzi	D25/141	
D713,978	S *	9/2014	Zombek	D25/125	
D732,701	S *	6/2015	Griffiths	D25/119	
D733,328	S *	6/2015	Griffiths	D25/119	
D733,329	S *	6/2015	Griffiths	D25/119	
D734,501	S *	7/2015	Bodwell	D25/119	
D734,502	S *	7/2015	Bodwell	D25/119	
D735,355	S *	7/2015	Bodwell	D25/119	
D736,953	S *	8/2015	Griffiths	D25/119	
D736,962	S *	8/2015	Bodwell	D25/119	
2010/0205883	A1 *	8/2010	Carson	E04B 1/08	
						52/281

OTHER PUBLICATIONS

Parkpanel Metal Cladding (on-line), dated Jul. 6, 2012. Retrieved from Internet Sep. 30, 2016, URL: http://parkpanels.en.ec21.com/Metal_Cladding--6856293.html (2 pages).*

Pacific Erectors Centria Concept Series Wall Panel Systems (on-line), dated Sep. 1, 2015. Retrieved from Internet Sep. 30, 2016, URL: <https://web.archive.org/web/20150901124618/http://www.pacificerectors.com/centria-concept-series-metal-wall-panels/> (2 pages).*

ATAS, Inc., BKR 160 Panel, 2002, 3 pages.

Centria, FWDS 59 Panel, 2002, 4 pages.

Centria, IW 60A Panel, 1996, 2 pages.

ATAS, Inc., MPH 080 Panel, 2000, 6 pages.

ATAS, Inc., MPS 120 Panel, 2000, 6 pages.

“Commercial & Industrial Metal Wall Systems,” Robertson Product Brochure, 1994, 16 pages.

* cited by examiner

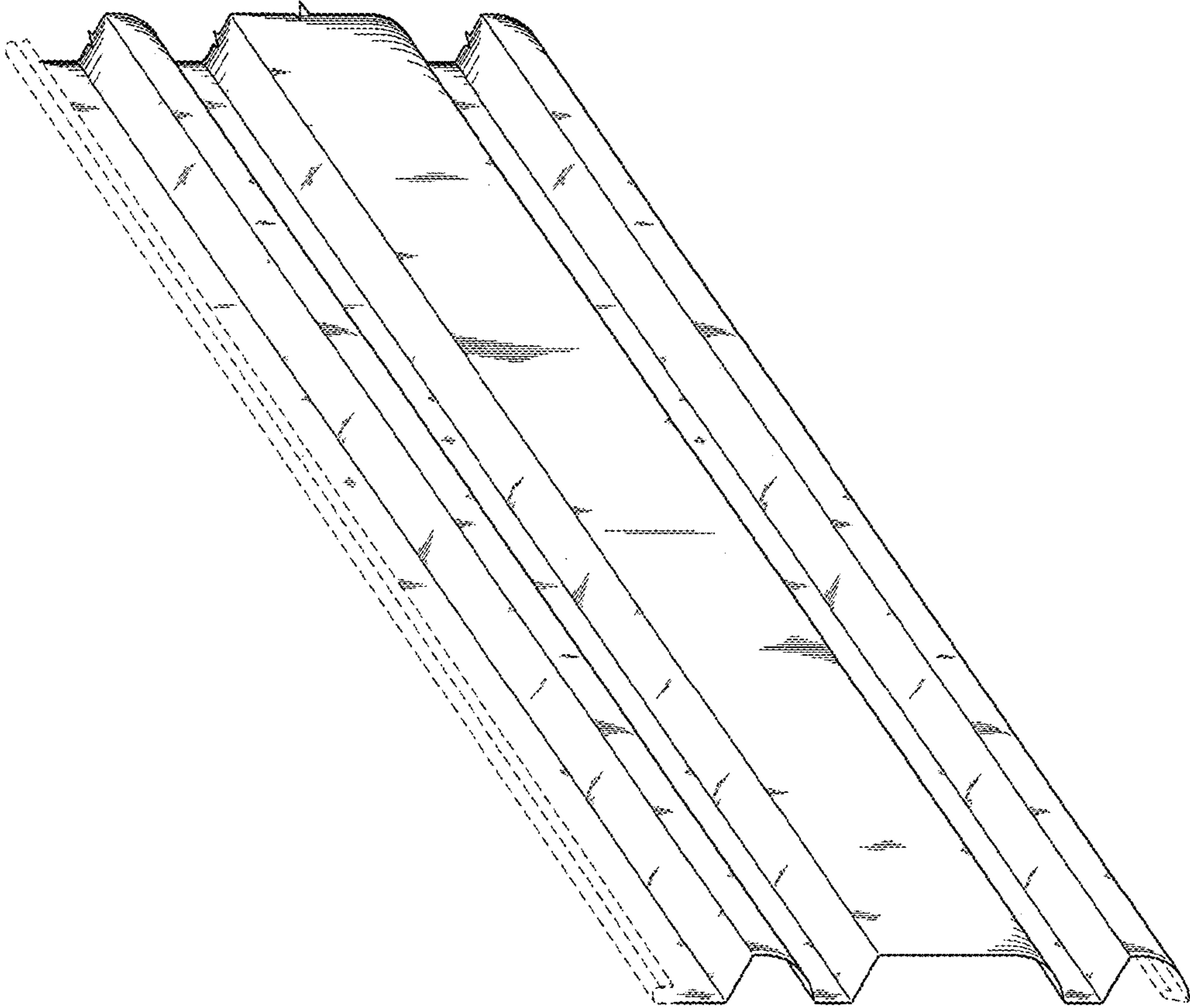


FIG. 1

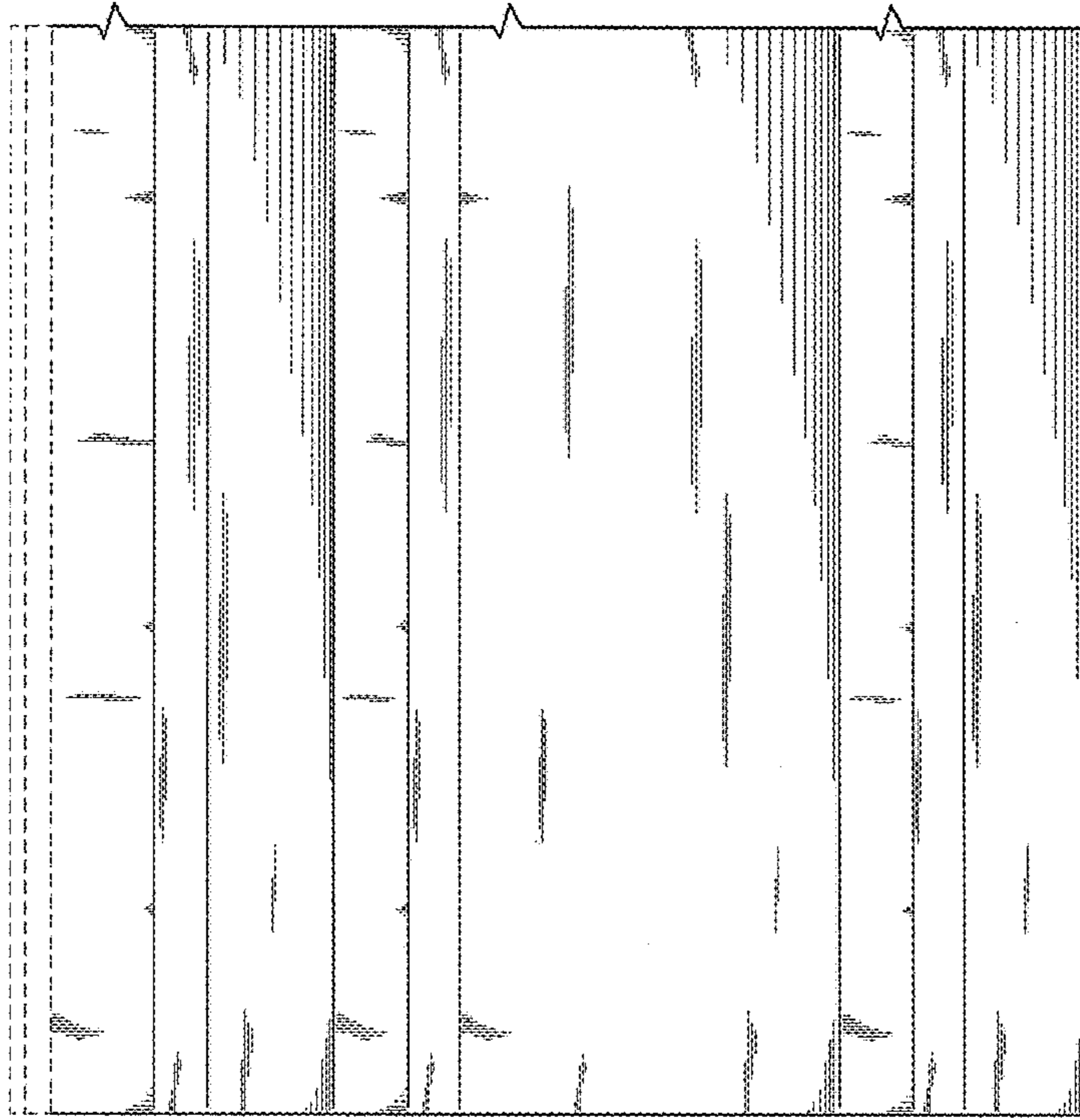


FIG. 3



FIG. 2

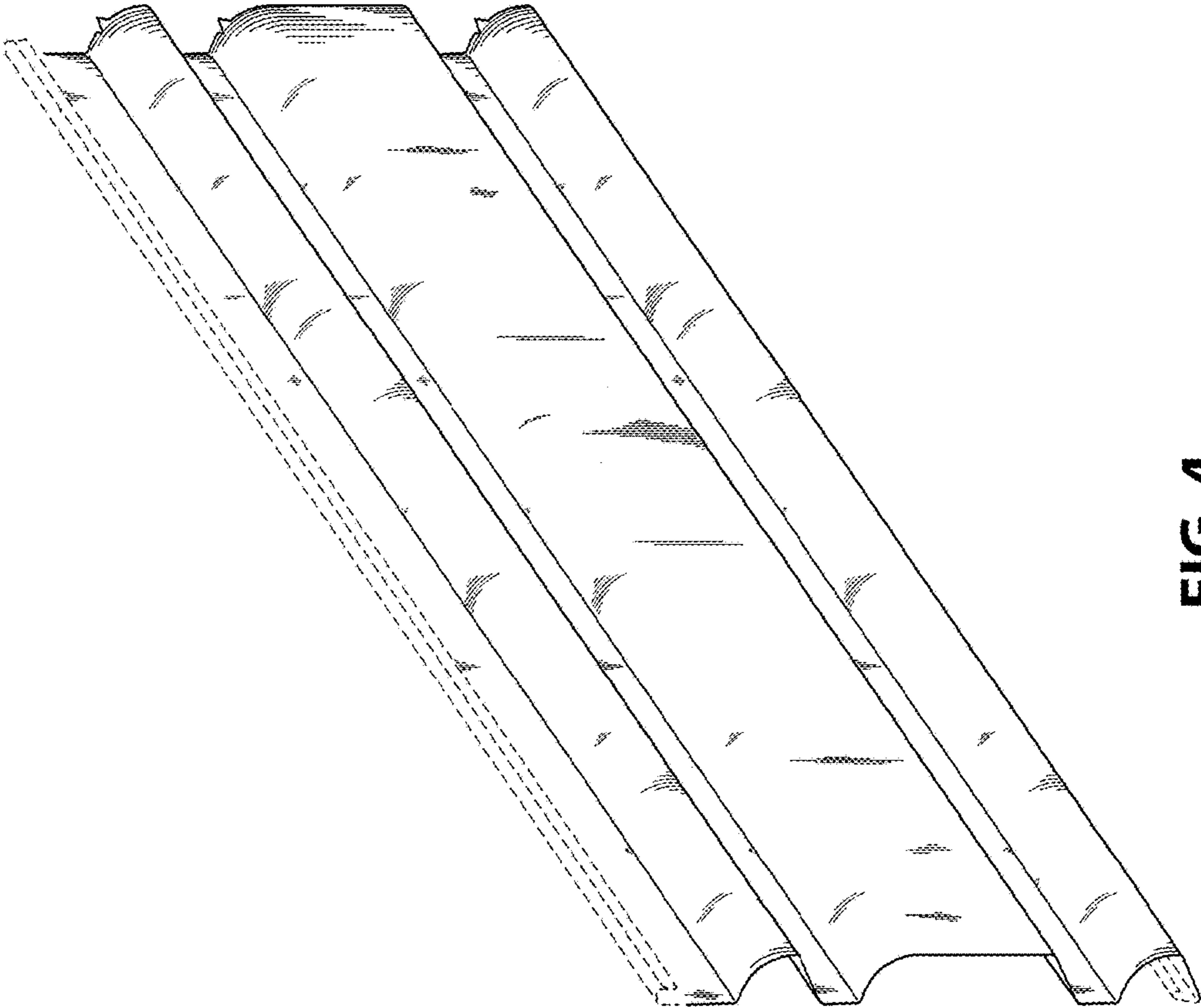


FIG. 4

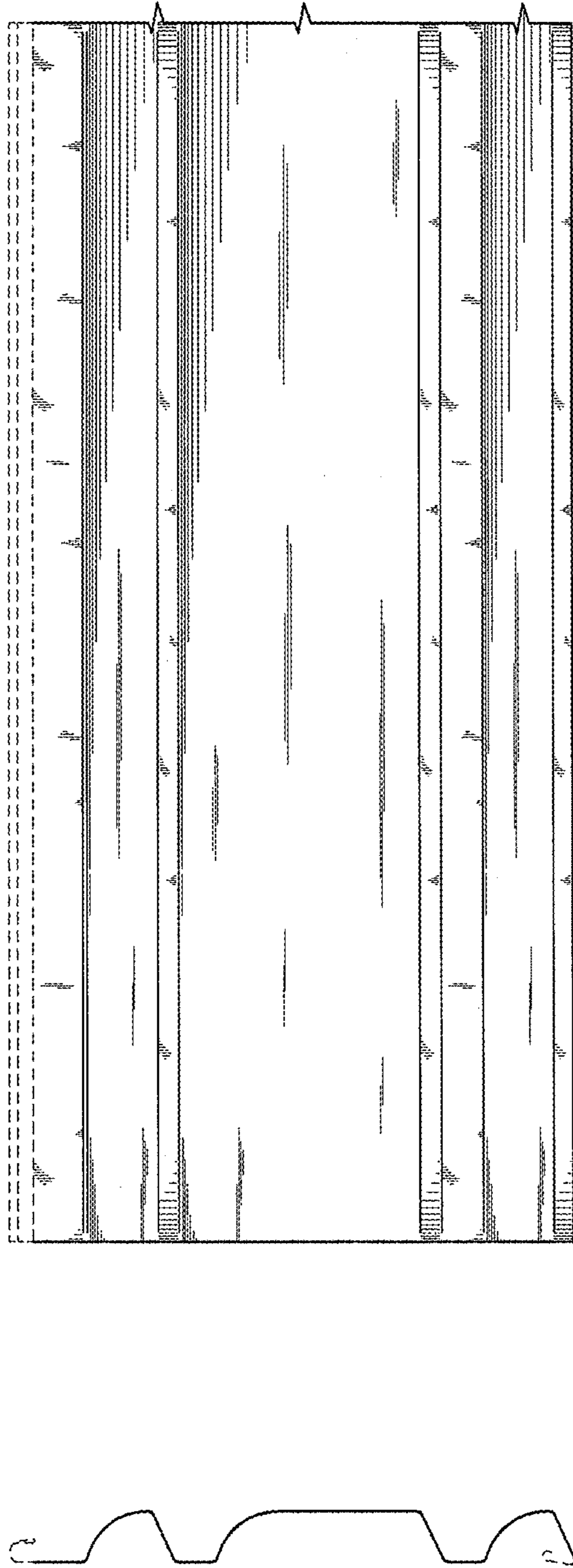


FIG. 6

FIG. 5