



US00D778461S

(12) **United States Design Patent** (10) **Patent No.:** **US D778,461 S**
Maurer et al. (45) **Date of Patent:** **** Feb. 7, 2017**

(54) **SPACER BAR FOR INSULATING GLASS PANES**

FOREIGN PATENT DOCUMENTS

(71) Applicant: **SAINT-GOBAIN GLASS FRANCE**,
Courbevoie (FR)

DE 19927683 C1 1/2001
DE 102009006062 A1 7/2010

(Continued)

(72) Inventors: **Marc Maurer**, Saint Jean Aux Bois (FR); **Walter Schreiber**, Aachen (DE); **Laure Dupuy**, Compiègne (FR); **Sebastien Hervieux**, Choisy Au Bac (FR); **Hans-Werner Kuster**, Aachen (DE)

OTHER PUBLICATIONS

International Search Report issued for International Application No. PCT/EP2014/053714 filed on Feb. 26, 2014 in the name of Saint-Gobain Glass France. Mail date: Mar. 25, 2014 (English Translation + German Original).

(Continued)

(73) Assignee: **SAINT-GOBAIN GLASS FRANCE**,
Courbevoie (FR)

(**) Term: **15 Years**

Primary Examiner — Susan Bennett Hattan

Assistant Examiner — Leanne Was

(21) Appl. No.: **29/529,985**

(74) *Attorney, Agent, or Firm* — Steinfl & Bruno, LLP

(22) Filed: **Jun. 11, 2015**

Related U.S. Application Data

(63) Continuation-in-part of application No. PCT/EP2014/054710, filed on Mar. 11, 2014, and a
(Continued)

(57) **CLAIM**

The ornamental design for a spacer bar for insulating glass panes, as shown and described.

(30) **Foreign Application Priority Data**

Dec. 15, 2014 (DE) 40 2014 101 210

(51) **LOC (10) Cl.** **25-02**

(52) **U.S. Cl.**
USPC **D25/48.2**

(58) **Field of Classification Search**
USPC .. D25/48.1–48.3, 61, 119–126, 164; 49/414, 49/417, 470, 475.1, 482.1; 52/204.62, 52/204.591, 204.593, 204.595, 786.13, 52/789.1, 790.1

(Continued)

(56) **References Cited**

U.S. PATENT DOCUMENTS

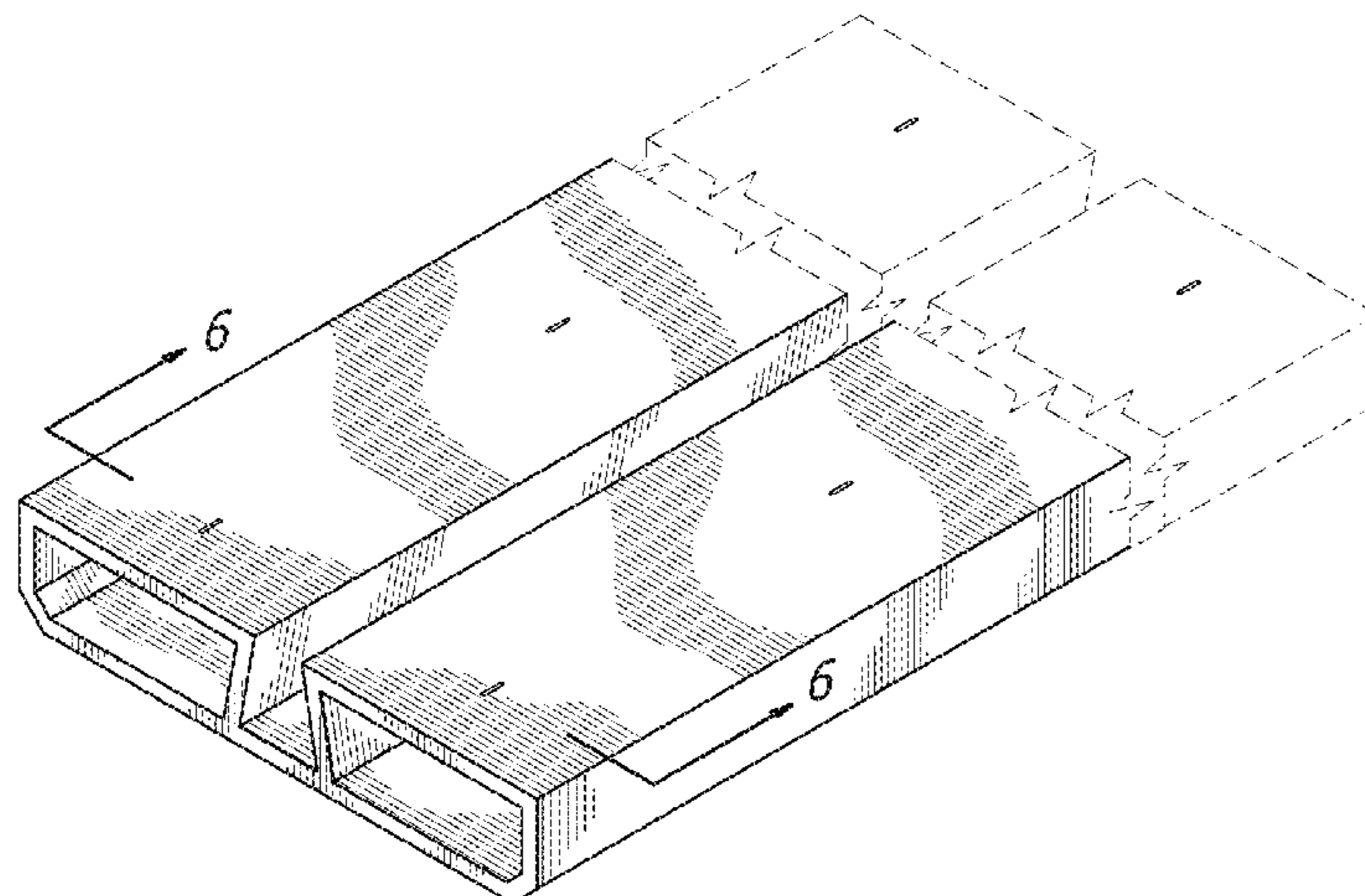
3,854,246 A * 12/1974 McAllister E06B 7/2316
49/470
5,014,465 A * 5/1991 Ishikawa E06B 3/88
49/417

(Continued)

DESCRIPTION

FIG. 1 is a perspective view of a spacer bar for insulating glass panes.
FIG. 2 is an end view of the spacer bar for insulating glass panes.
FIG. 3 is a top view of the spacer bar for insulating glass panes.
FIG. 4 is a side view of the spacer bar for insulating glass panes.
FIG. 5 is a bottom view of the spacer bar for insulating glass panes; and,
FIG. 6 is a sectional view of the spacer bar for insulating glass panes taken in the direction of line 6-6 in FIG. 1. The broken lines in FIGS. 1, 3, 4, and 5 depict the boundary of the claimed design—the portion between the broken lines with jags forms no part of the claimed design. The broken lines in FIG. 2 depict environment of the claimed design and form no part of the claimed design.

1 Claim, 3 Drawing Sheets



Related U.S. Application Data

continuation-in-part of application No. PCT/EP2014/053714, filed on Feb. 26, 2014.

2009/0186213 A1 7/2009 Ihlo
 2009/0199486 A1* 8/2009 Wernlund E06B 1/70
 49/471
 2014/0311065 A1* 10/2014 Schreiber E06B 3/66319
 52/204.593

(58) **Field of Classification Search**

CPC E06B 3/66; E06B 3/663; E06B 3/66333;
 E06B 3/66347; E06B 3/66366; E06B
 1/70; E06B 1/702

See application file for complete search history.

FOREIGN PATENT DOCUMENTS

DE 102009057156 A1 6/2011
 EP 0078530 A2 5/1983
 EP 0852280 A1 7/1998
 EP 0912455 B1 5/1999
 EP 1218307 A1 7/2002
 EP 1917222 B1 5/2008
 EP 2270307 A2 1/2011
 EP 2584135 A2 4/2013
 WO 2007101964 A1 9/2007
 WO 2010115456 A1 10/2010
 WO 2012095266 A1 7/2012
 WO 2014/198429 A1 12/2014
 WO 2014/198431 A1 12/2014

(56) **References Cited**

U.S. PATENT DOCUMENTS

5,581,971 A * 12/1996 Peterson E06B 3/67304
 52/204.591
 6,060,178 A 5/2000 Krisko
 6,115,989 A 9/2000 Boone et al.
 6,684,597 B1 * 2/2004 Butcher E04F 19/061
 52/287.1
 D539,933 S * 4/2007 Fischer D25/125
 8,484,912 B2 * 7/2013 Engelmeyer E06B 3/66314
 52/204.591
 2002/0192473 A1 12/2002 Gentilhomme et al.
 2004/0028953 A1 2/2004 Kraemling
 2007/0251180 A1 11/2007 Gosling et al.

OTHER PUBLICATIONS

International Search Report issued for International Application No. PCT/EP2014/054710 filed on Mar. 11, 2014 in the name of Saint-Gobain Glass France. Mail date: Apr. 4, 2014 (English Translation + German Original).

* cited by examiner

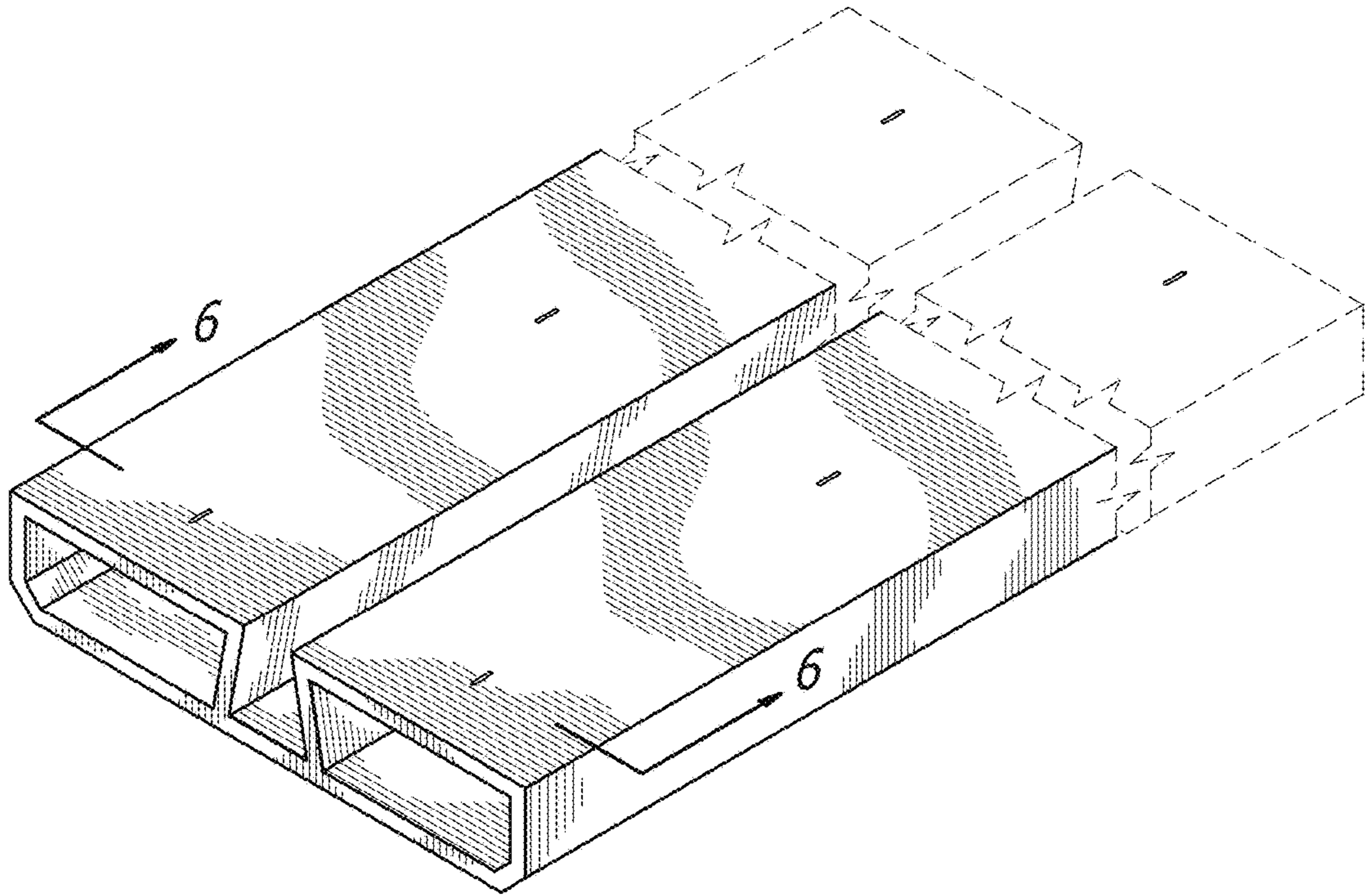


FIG. 1

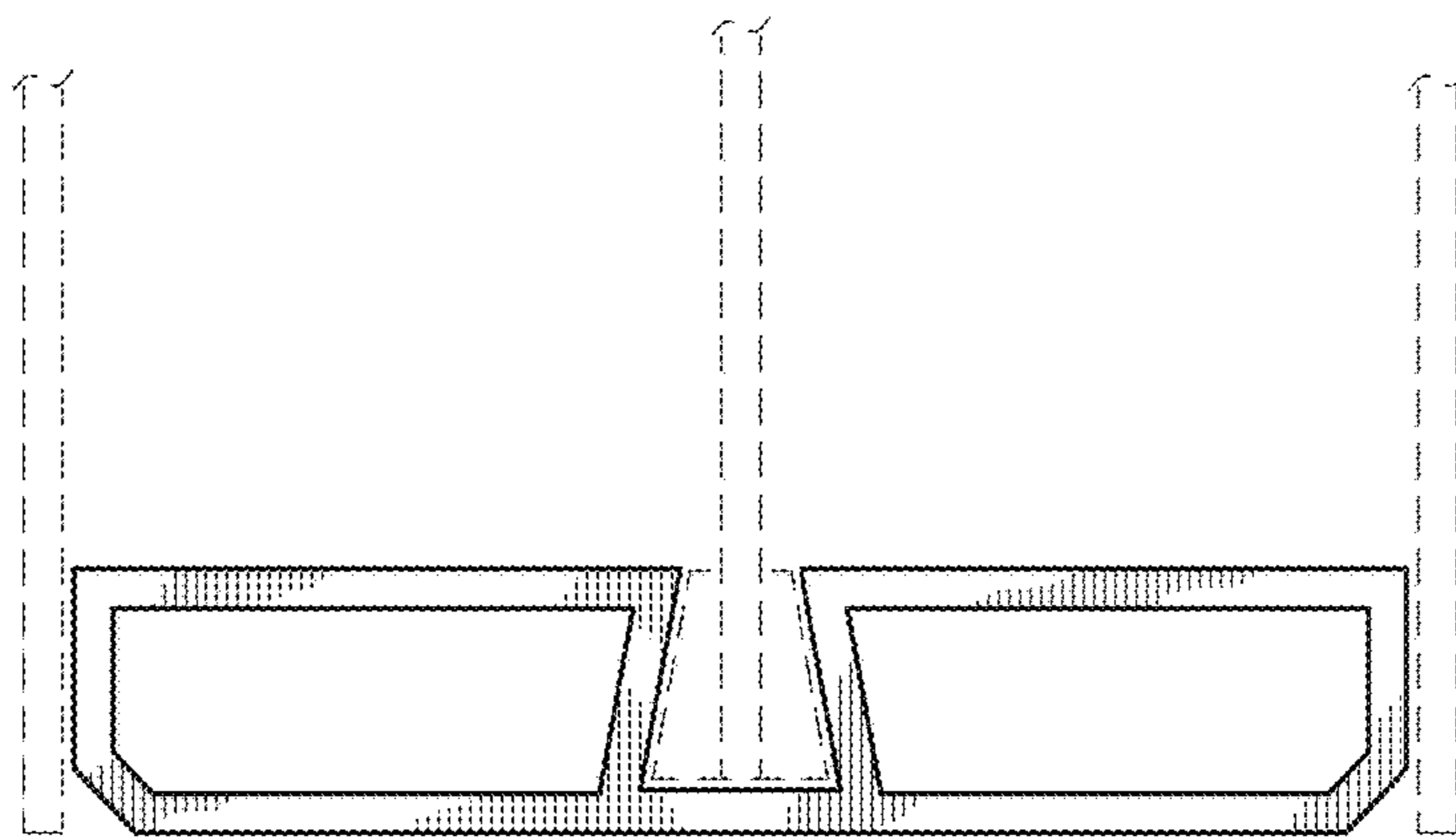


FIG. 2

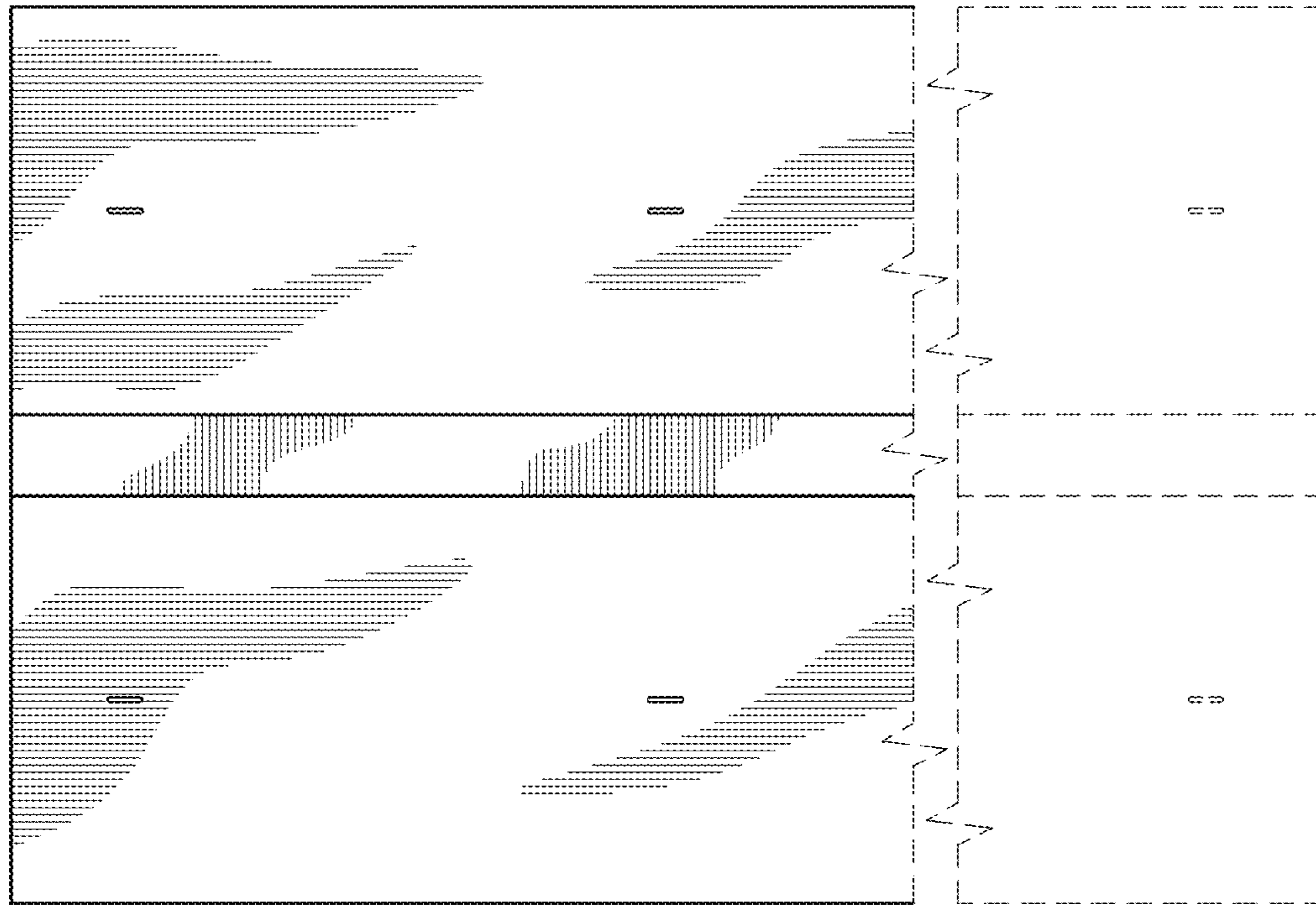


FIG. 3

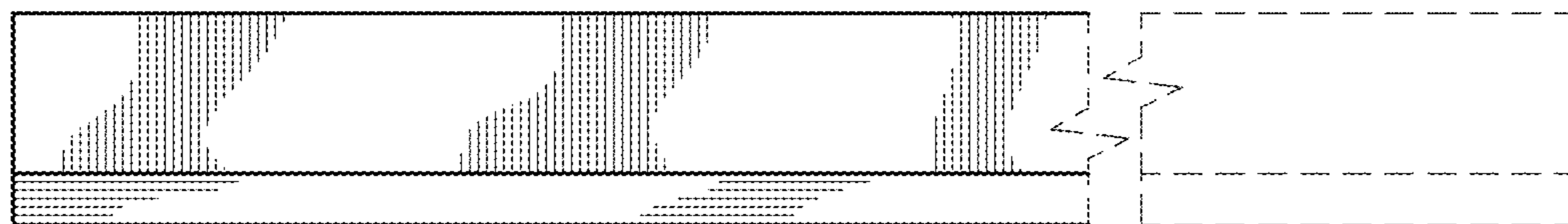


FIG. 4

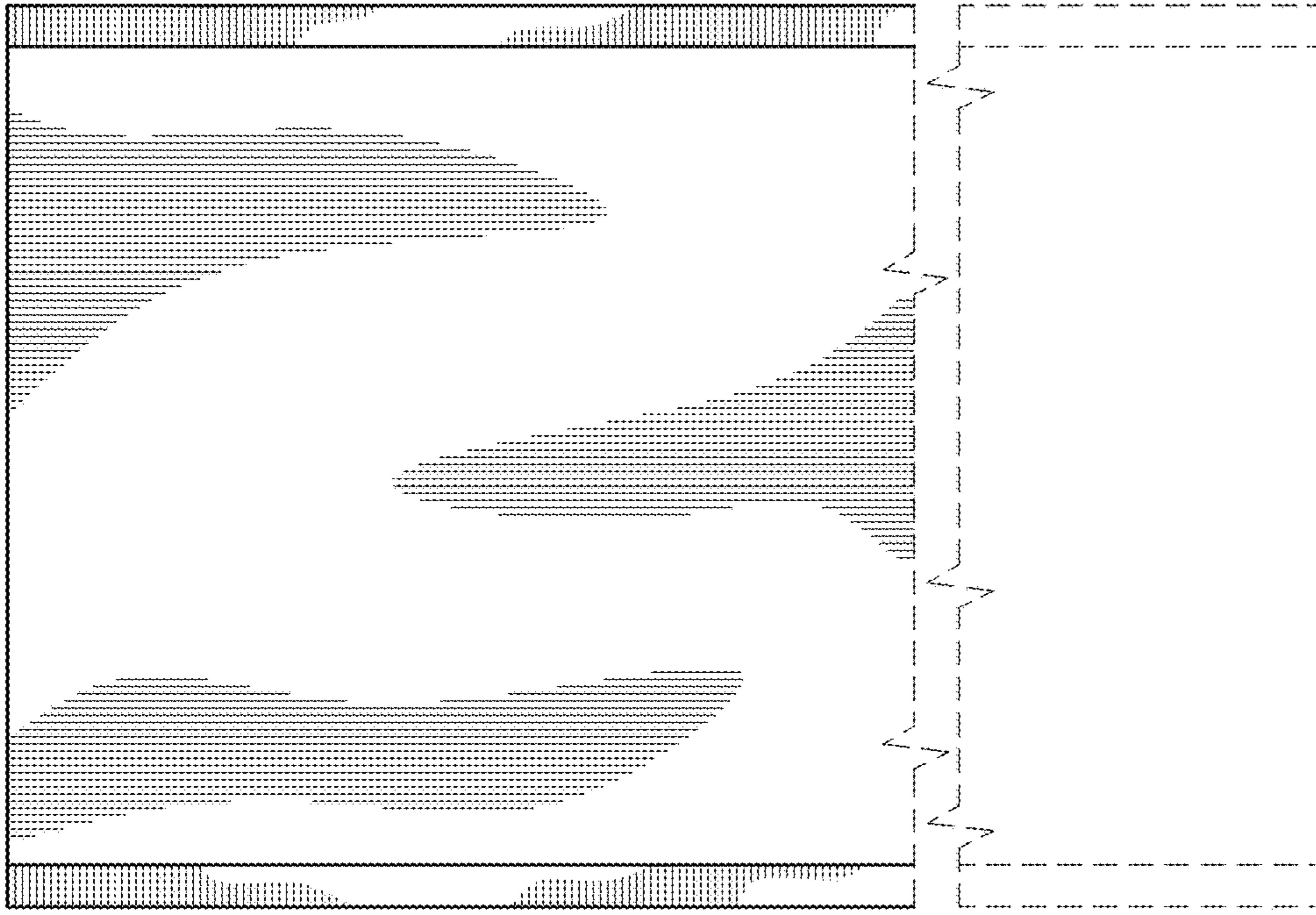


FIG. 5

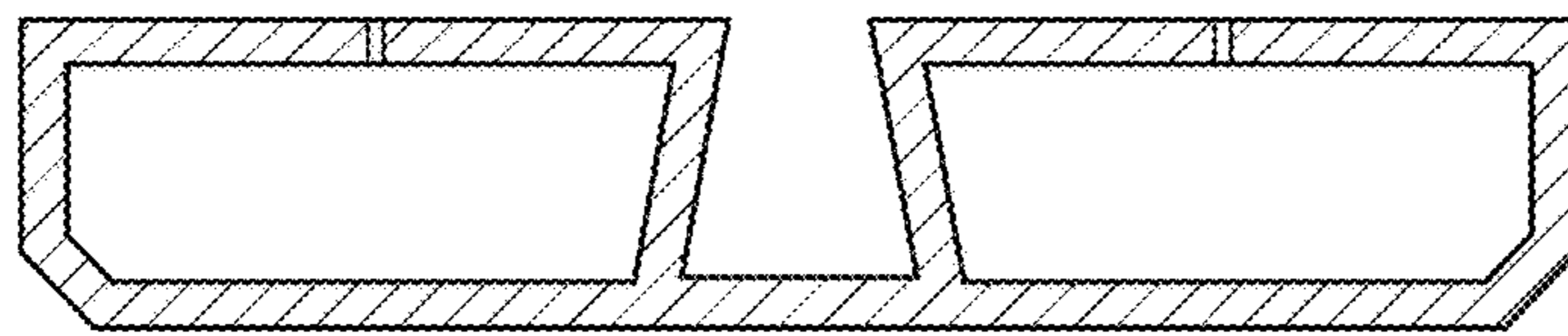


FIG. 6