

US00D778460S

(12) **United States Design Patent**  
**Marechal et al.**

(10) **Patent No.:** **US D778,460 S**

(45) **Date of Patent:** **\*\* Feb. 7, 2017**

(54) **VIAL**

(71) Applicant: **ASEPTIC TECHNOLOGIES, S.A.**,  
Gembloux-les Isnes (BE)

(72) Inventors: **Julien Marechal**, Etterbeek (BE);  
**Patrick Baleriaux**,  
Ham-sur-Heure-Nalinnes (BE)

(73) Assignee: **Aseptic Technologies, S.A.**,  
Gembloux-les Isnes (BE)

(\*\*) Term: **15 Years**

(21) Appl. No.: **29/545,232**

(22) Filed: **Nov. 11, 2015**

(30) **Foreign Application Priority Data**

Jul. 17, 2015 (EM) ..... 002738849-0001

(51) **LOC (10) Cl.** ..... **24-02**

(52) **U.S. Cl.**  
USPC ..... **D24/224**

(58) **Field of Classification Search**  
USPC ..... D24/216, 219, 222-232, 121;  
D3/203.1-203.8; 422/300, 297, 500-501,  
422/509, 547-566, 400; D9/741, 743;  
211/126.1; 206/443, 446, 528, 438, 557,  
206/562-563, 363-365; 73/863.11;  
220/288, 220/273; 215/12.1; 600/569  
CPC A61L 2/26; B01L 2300/0816; B01L 3/50825;  
B01L 3/5021; B01L 3/5082; B01L  
3/5085; B01L 3/505; B01L 9/06; G01N  
35/10; G01N 35/1002; A01N  
1/0268; A01N 1/0242; B65D 85/42; B65D  
71/72; B65D 23/001

See application file for complete search history.

(56) **References Cited**

U.S. PATENT DOCUMENTS

D252,612 S \* 8/1979 Mull ..... D24/224  
D302,722 S \* 8/1989 Baxter ..... D24/224

D304,997 S \* 12/1989 Baxter ..... D24/224  
D307,052 S \* 4/1990 Baxter ..... D24/224  
D318,727 S \* 7/1991 Spike ..... D24/224  
D342,141 S \* 12/1993 Baxter ..... D24/224  
5,382,409 A \* 1/1995 Baxter ..... B01L 3/5082  
220/732  
D356,643 S \* 3/1995 Burns ..... D24/224  
5,470,537 A \* 11/1995 Siegel ..... B65D 23/001  
215/12.1  
D388,176 S \* 12/1997 Lodge ..... D24/224  
D418,607 S \* 1/2000 Asselta ..... D24/224  
6,063,038 A \* 5/2000 Diamond ..... G01N 1/4077  
600/569  
6,066,299 A \* 5/2000 Lodge ..... B01L 3/5082  
422/547  
D427,691 S \* 7/2000 Asselta ..... D24/224  
D438,982 S \* 3/2001 Lodge ..... D24/224  
D453,837 S \* 2/2002 Lodge ..... D24/224

(Continued)

*Primary Examiner* — T. Chase Nelson

*Assistant Examiner* — Mark Cavanna

(74) *Attorney, Agent, or Firm* — Kirschstein, Israel,  
Schiffmiller & Pieroni, P.C.

(57) **CLAIM**

The ornamental design for a vial, as shown and described.

**DESCRIPTION**

FIG. 1 is a perspective view of a vial according to our new design.

FIG. 2 is a top plan view thereof.

FIG. 3 is a side elevational view thereof, all side views being identical.

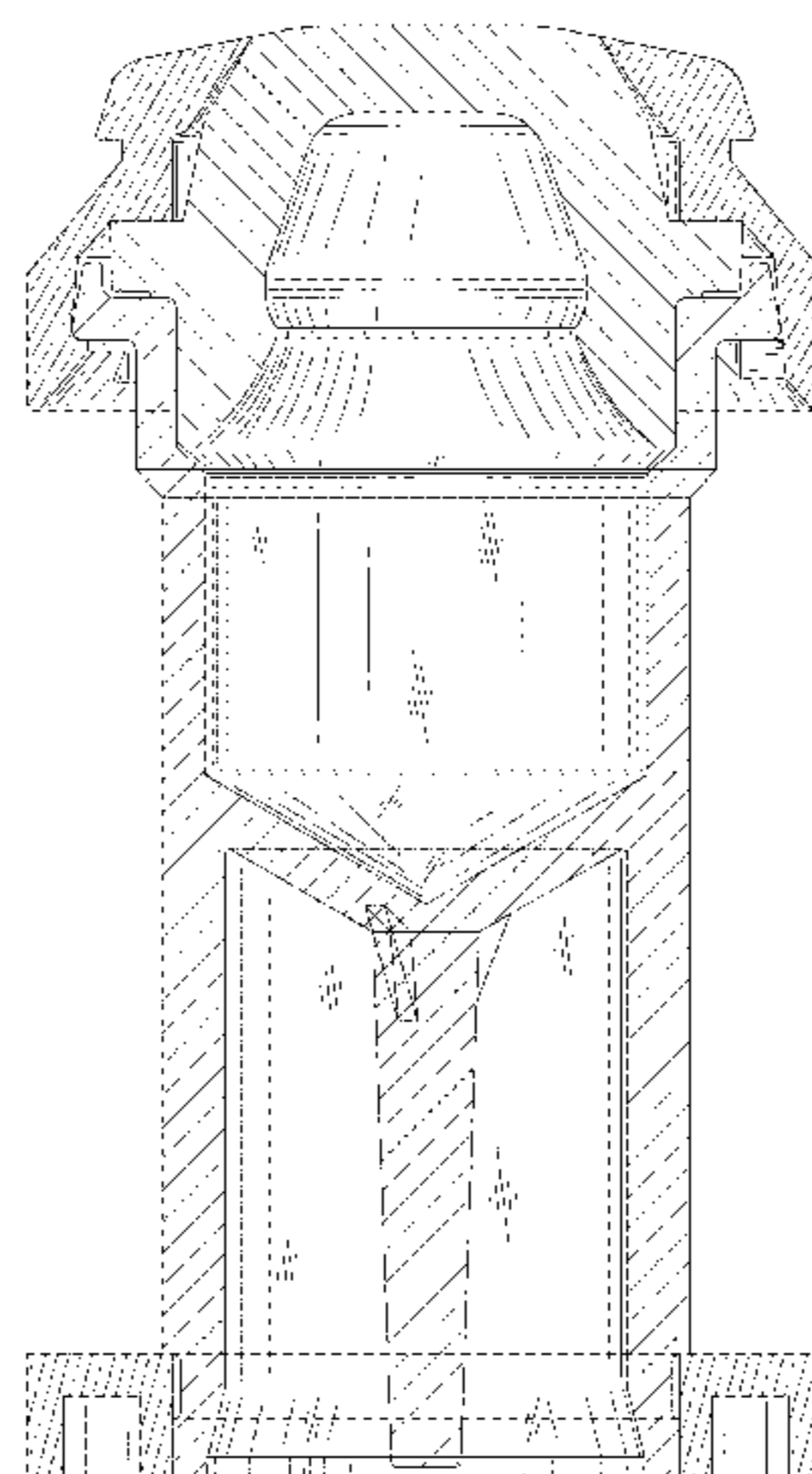
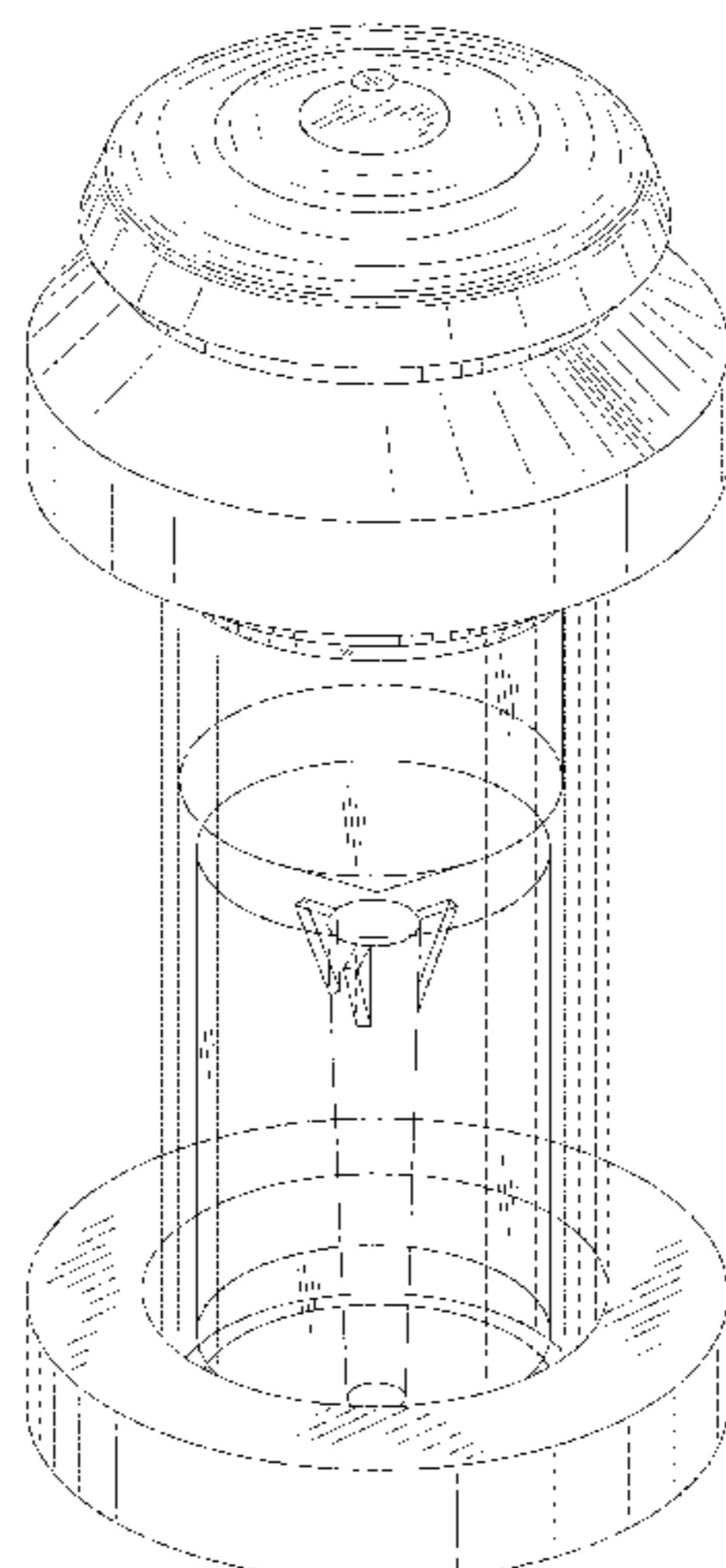
FIG. 4 is another side elevational view taken from a slightly different rotational position.

FIG. 5 is an opposite side elevational view of the side shown in FIG. 4.

FIG. 6 is a bottom plan view thereof; and,

FIG. 7 is a sectional view thereof taken on line 7-7 of FIG. 2.

**1 Claim, 7 Drawing Sheets**



(56)

**References Cited**

U.S. PATENT DOCUMENTS

D454,397	S *	3/2002	Lodge	.....	D24/224
D465,030	S *	10/2002	Lodge	.....	D24/224
D465,031	S *	10/2002	Lodge	.....	D24/224
D465,283	S *	11/2002	Lodge	.....	D24/224
D469,185	S *	1/2003	Lodge	.....	D24/224
D629,916	S *	12/2010	Lodge	.....	D24/224
D636,678	S *	4/2011	Baird	.....	D24/224
D637,492	S *	5/2011	Baird	.....	D24/224
8,168,138	B2 *	5/2012	Che	.....	B01L 3/50825 422/501
8,550,273	B2 *	10/2013	Levin	.....	B01L 3/5082 422/550
9,297,499	B2 *	3/2016	Jimenez-Rios	.....	A01N 1/0268
2003/0133844	A1 *	7/2003	Conway	.....	B01L 3/5082 422/400
2009/0255938	A1 *	10/2009	Fuja	.....	A01N 1/0242 220/288
2011/0239791	A1 *	10/2011	Fici	.....	B01L 3/50825 73/863.11

\* cited by examiner

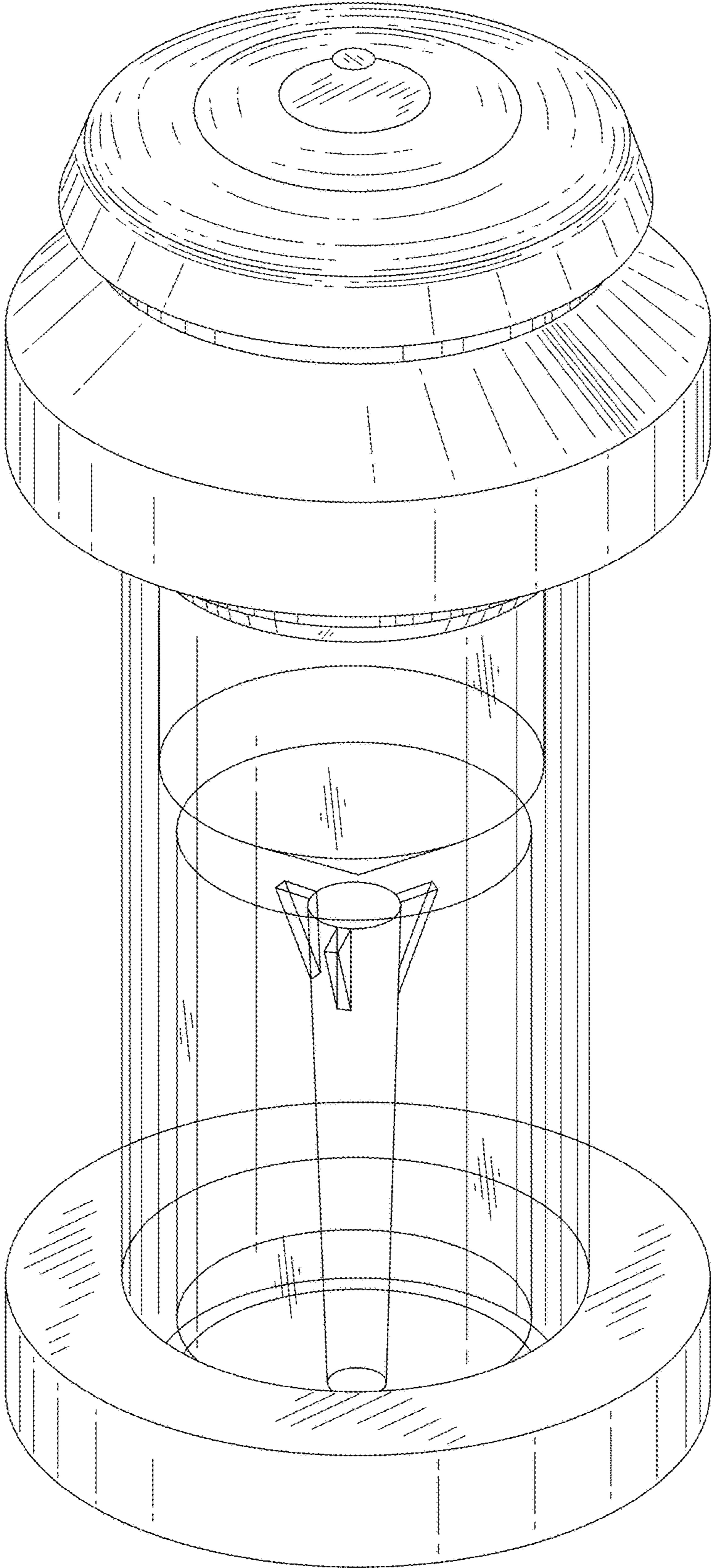


FIG. 1

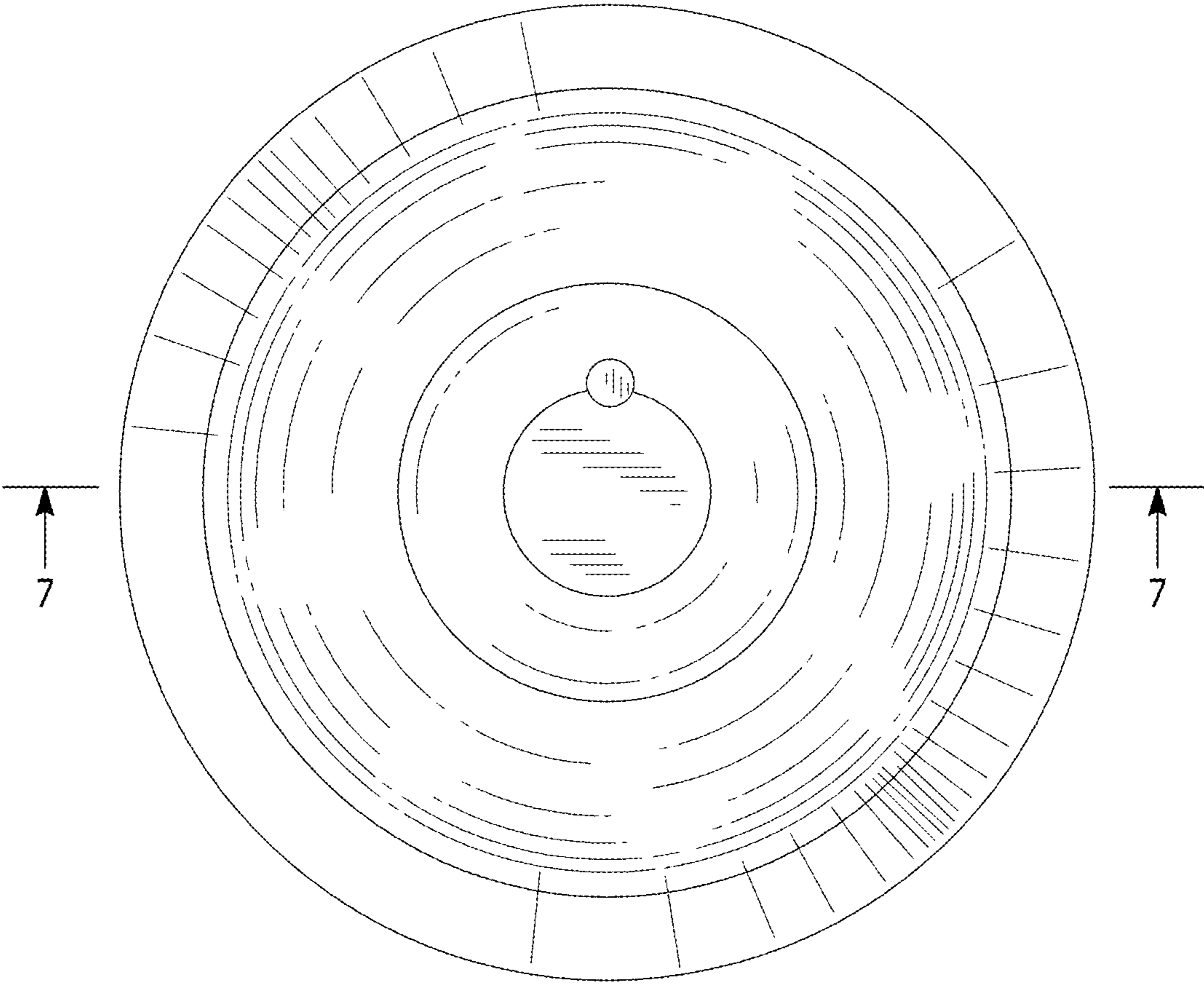


FIG. 2

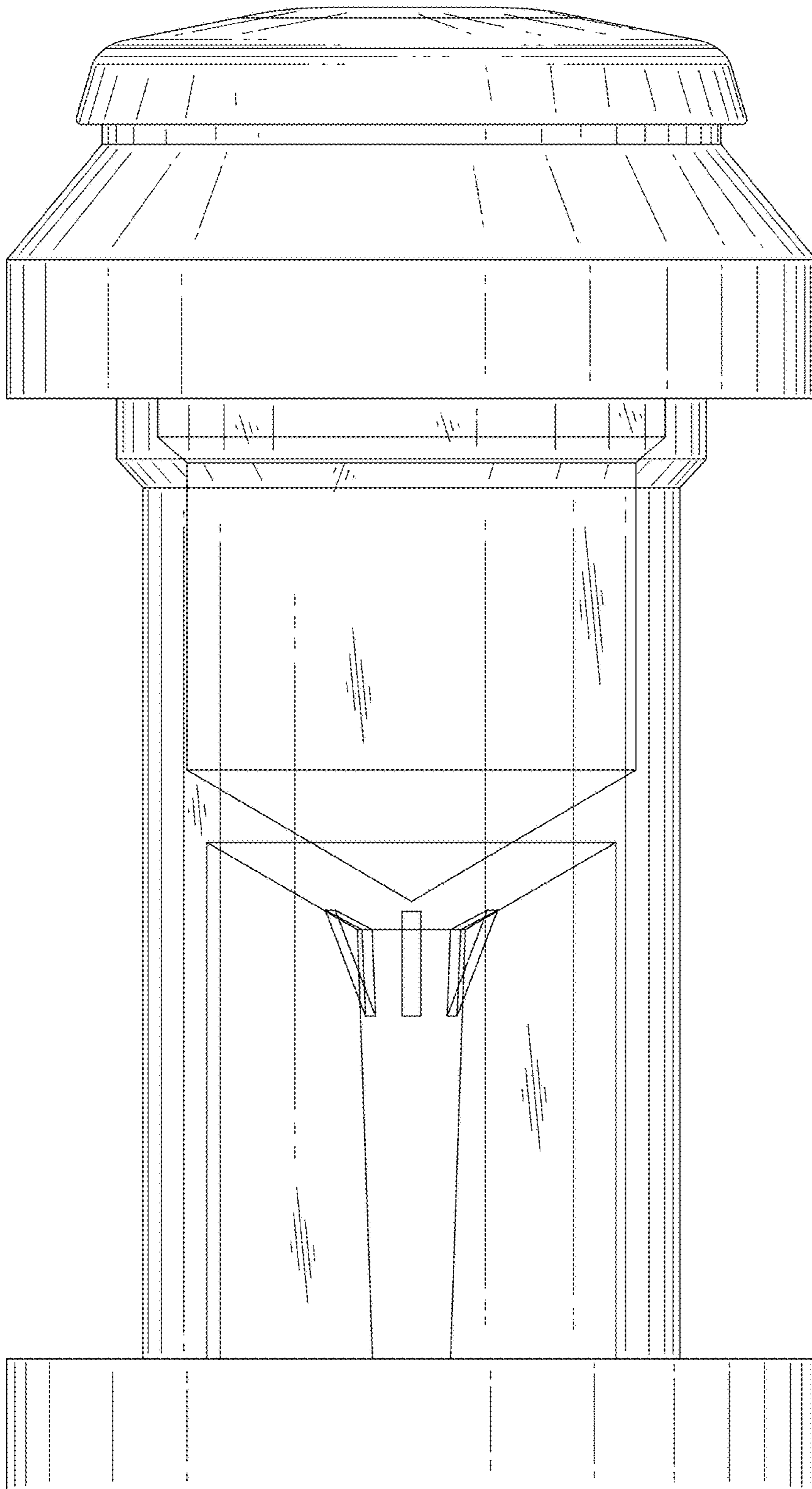


FIG. 3

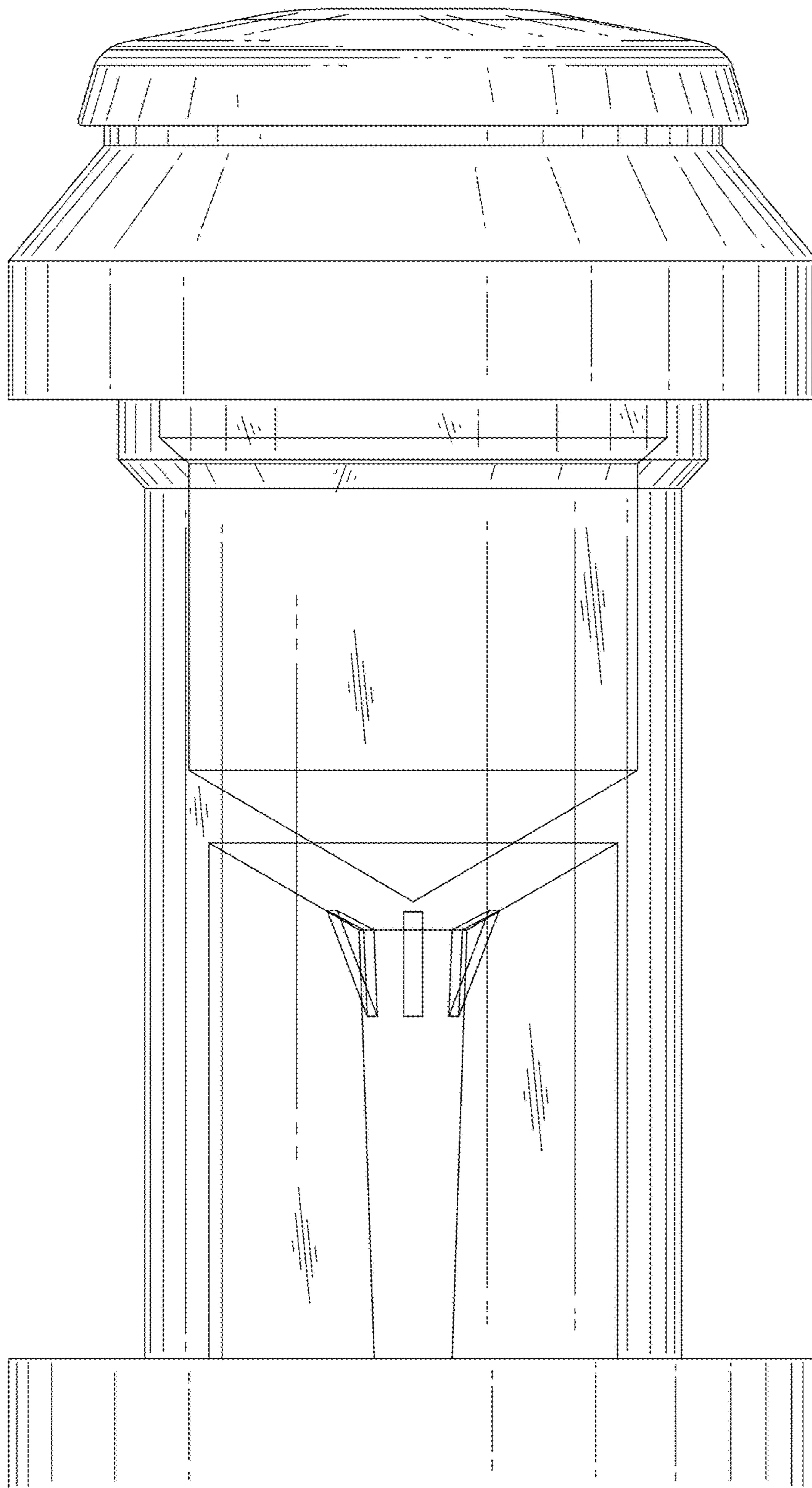


FIG. 4

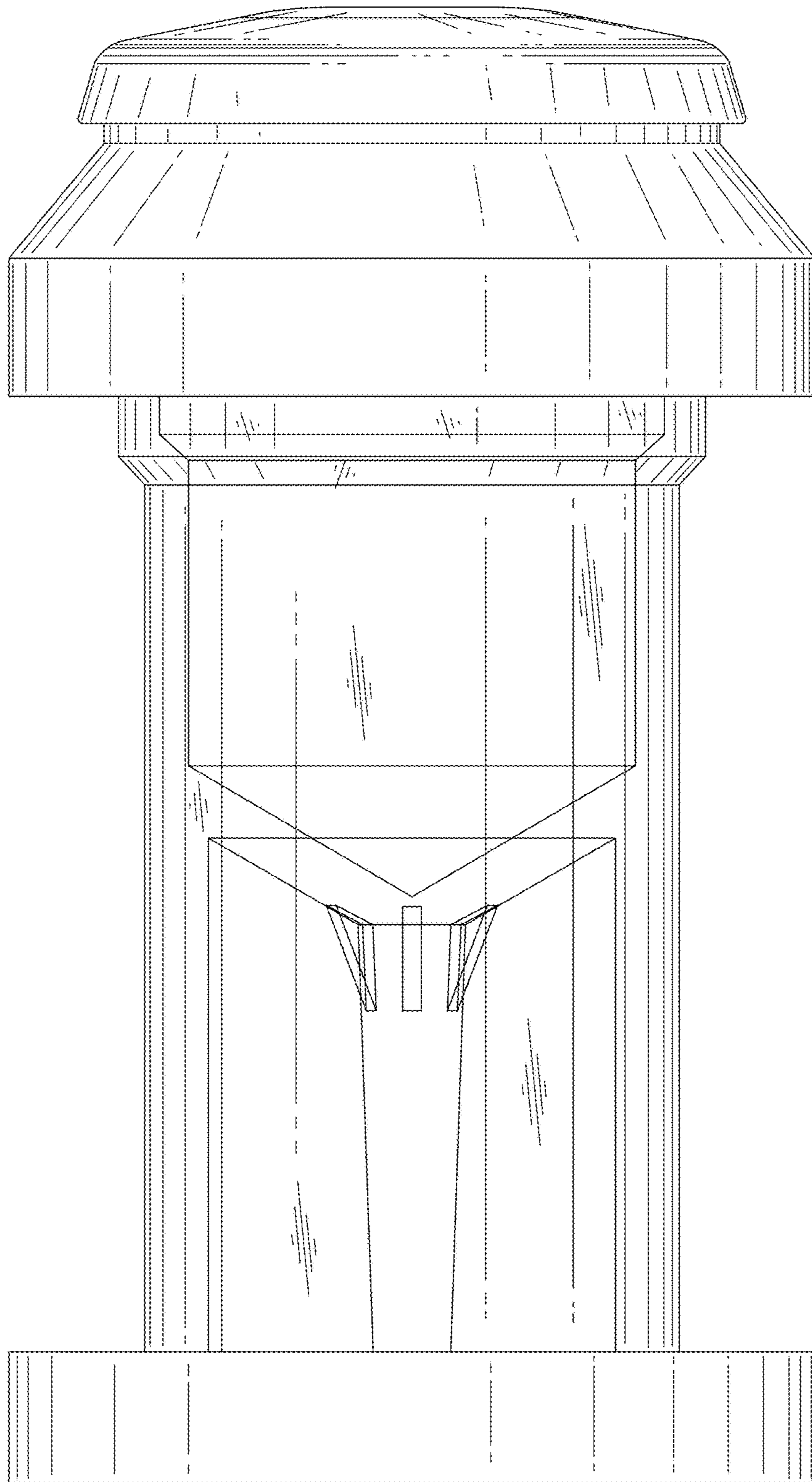


FIG. 5

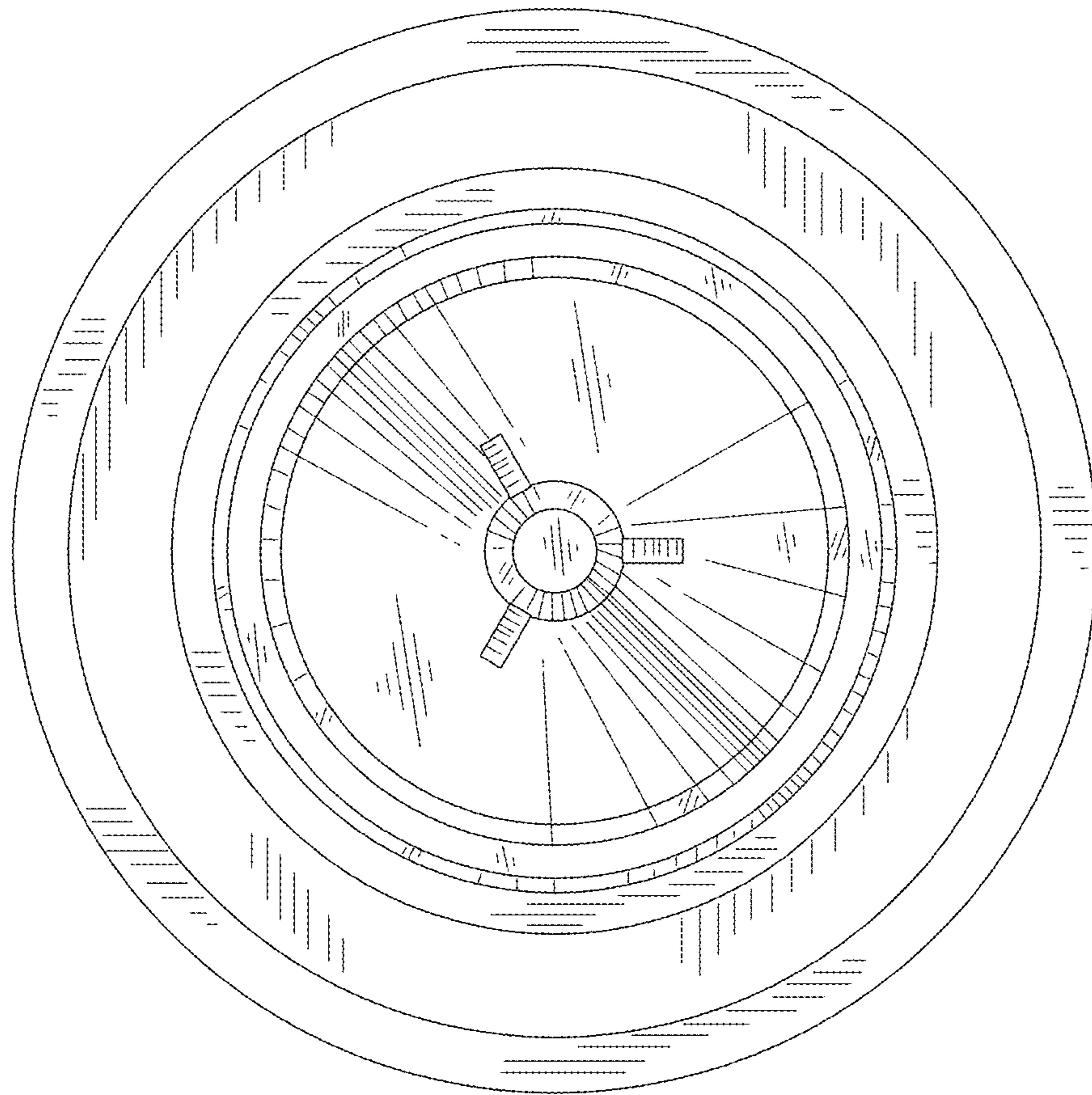


FIG. 6



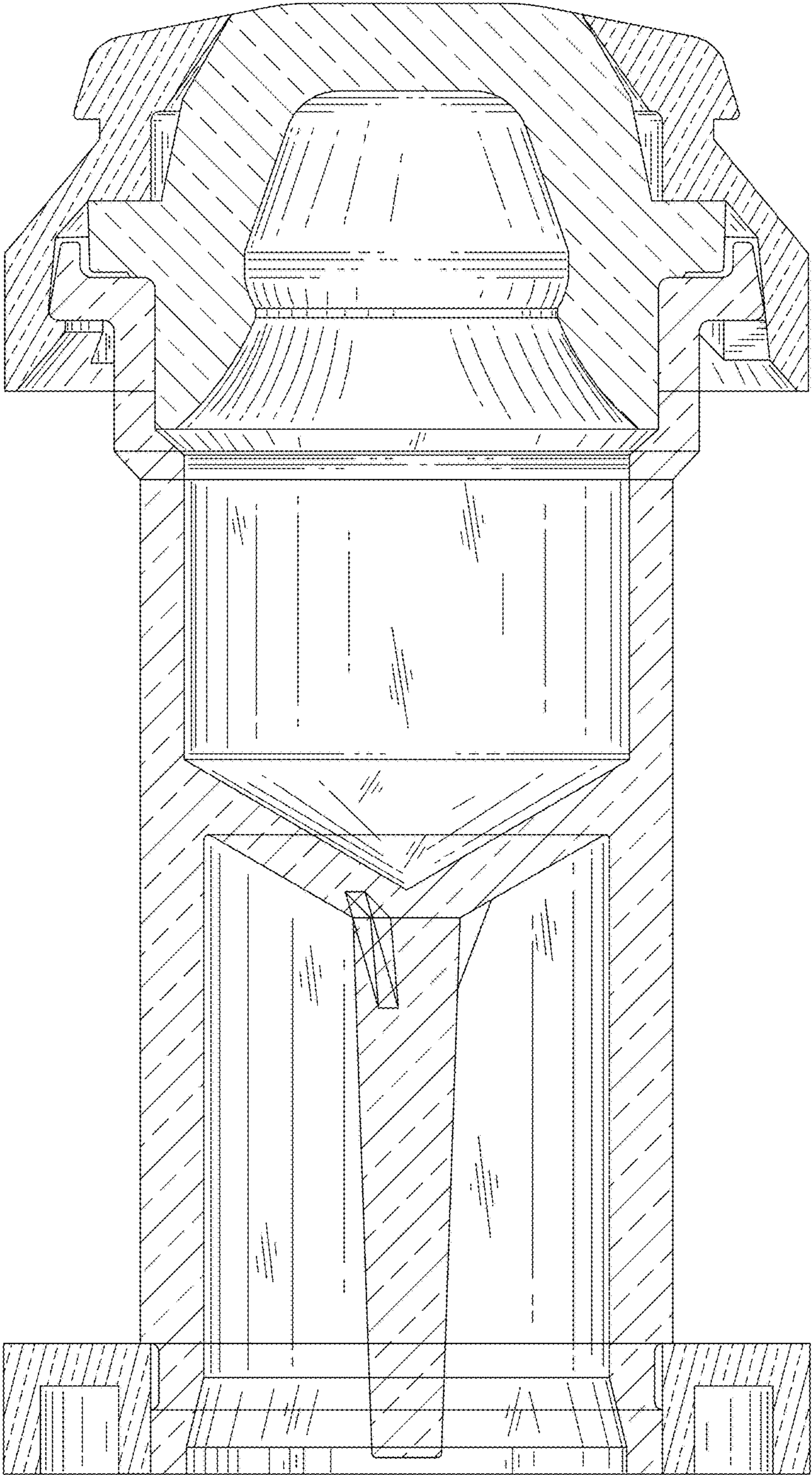


FIG. 7