



US00D778459S

(12) **United States Design Patent** (10) **Patent No.:** **US D778,459 S**
Tajima (45) **Date of Patent:** **** Feb. 7, 2017**

(54) **CARTRIDGE CONTAINER FOR PRESERVATION OF AMPLIFICATION REAGENTS**

(71) Applicant: **Universal Bio Research Co., Ltd.**, Matsudo-shi, Chiba (JP)

(72) Inventor: **Hideji Tajima**, Matsudo (JP)

(73) Assignee: **UNIVERSAL BIO RESEARCH CO., LTD.**, Chiba (JP)

(**) Term: **15 Years**

(21) Appl. No.: **29/540,392**

(22) Filed: **Sep. 24, 2015**

(30) **Foreign Application Priority Data**

Mar. 25, 2015 (JP) 2015-006432

(51) **LOC (10) Cl.** **24-02**

(52) **U.S. Cl.**
USPC **D24/224**

(58) **Field of Classification Search**
USPC D24/224, 229, 230, 216, 225, 226, 227;
422/562, 561, 560, 564, 500
CPC . A61B 10/0096; A61B 10/0038; A61B 10/02;
B01L 3/5082; B01L 3/5085; B01L
3/50853; B01L 3/50851
See application file for complete search history.

(56) **References Cited**

U.S. PATENT DOCUMENTS

5,683,659 A * 11/1997 Hovatter B01L 3/5082
220/375
5,948,363 A * 9/1999 Gaillard B01L 3/5085
422/552
D453,573 S * 2/2002 Lafond D24/216
6,601,725 B2 * 8/2003 Lafond B01L 3/50853
220/23.4

D608,013 S * 1/2010 Coulling D24/224
D624,194 S * 9/2010 Pack D24/224
D669,597 S * 10/2012 Cavada D24/216
D679,830 S * 4/2013 May D24/224
D684,703 S * 6/2013 Watzele D24/224
D687,567 S * 8/2013 Jungheim D24/224
D700,712 S * 3/2014 May D24/224
D703,345 S * 4/2014 Tajima D24/224

(Continued)

Primary Examiner — Susan Bennett Hattan

Assistant Examiner — Rebecca Tsehaye

(74) *Attorney, Agent, or Firm* — Haynes and Boone, LLP

(57) **CLAIM**

The ornamental design for a cartridge container for preservation of amplification reagents, as shown and described.

DESCRIPTION

This application is related to U.S. patent application Ser. No. 29,540,395, filed on Sep. 24, 2015, which claims priority to Japanese Design Application No. 2015-006433, filed Mar. 25, 2015, the entire disclosures of which are hereby incorporated herein by reference.

FIG. 1 is a perspective view of a cartridge container for preservation of amplification reagents showing my new design;

FIG. 2 is another perspective view thereof;

FIG. 3 is a front view thereof;

FIG. 4 is a rear view thereof;

FIG. 5 is a right side view thereof;

FIG. 6 is a left side view thereof;

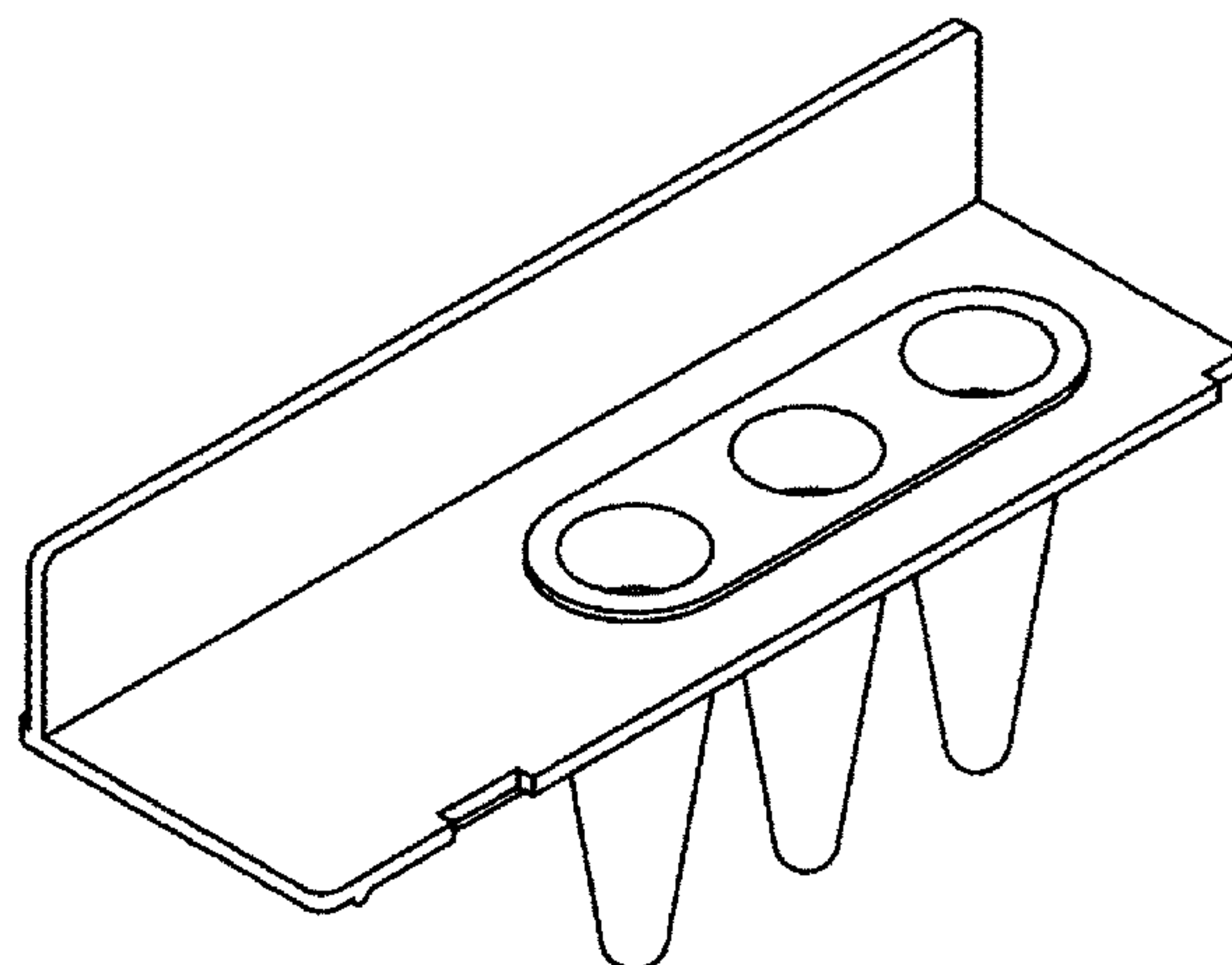
FIG. 7 is a top view thereof;

FIG. 8 is a bottom view thereof;

FIG. 9 is a sectional view thereof taken along line 9-9 of FIG. 3; and,

FIG. 10 is a sectional view thereof taken along line 10-10 of FIG. 7.

1 Claim, 6 Drawing Sheets



(56)

References Cited

U.S. PATENT DOCUMENTS

D709,625	S	*	7/2014	Baum	D24/224
D717,468	S	*	11/2014	Tsai	D24/224
D718,465	S	*	11/2014	Tajima	D24/224
D723,181	S	*	2/2015	Kawamura	D24/224
D759,835	S	*	6/2016	Baum	D24/224
D762,873	S	*	8/2016	Baum	D24/224
2013/0029343	A1	*	1/2013	Day	B01L 3/50851 435/6.12

* cited by examiner

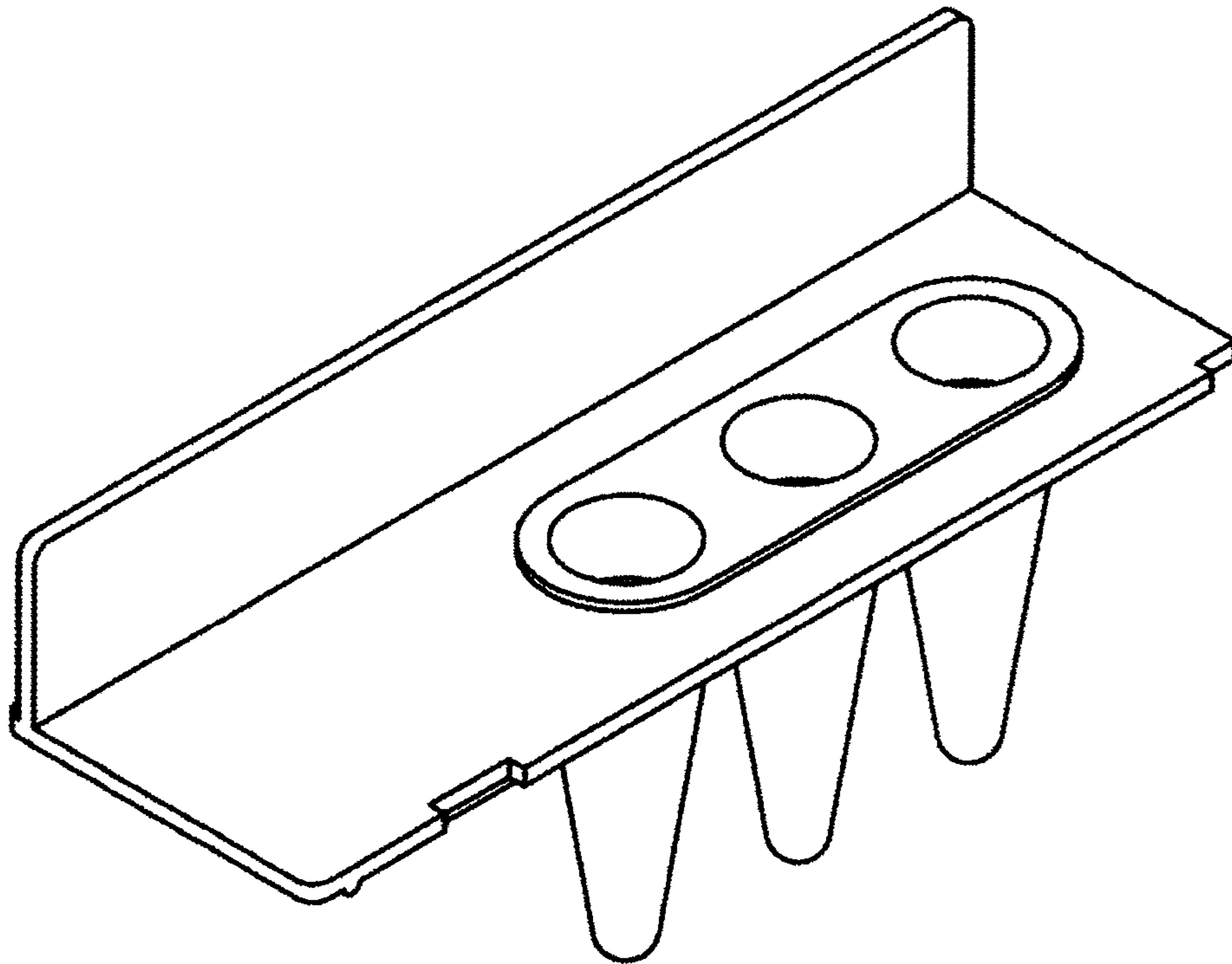


FIG. 1

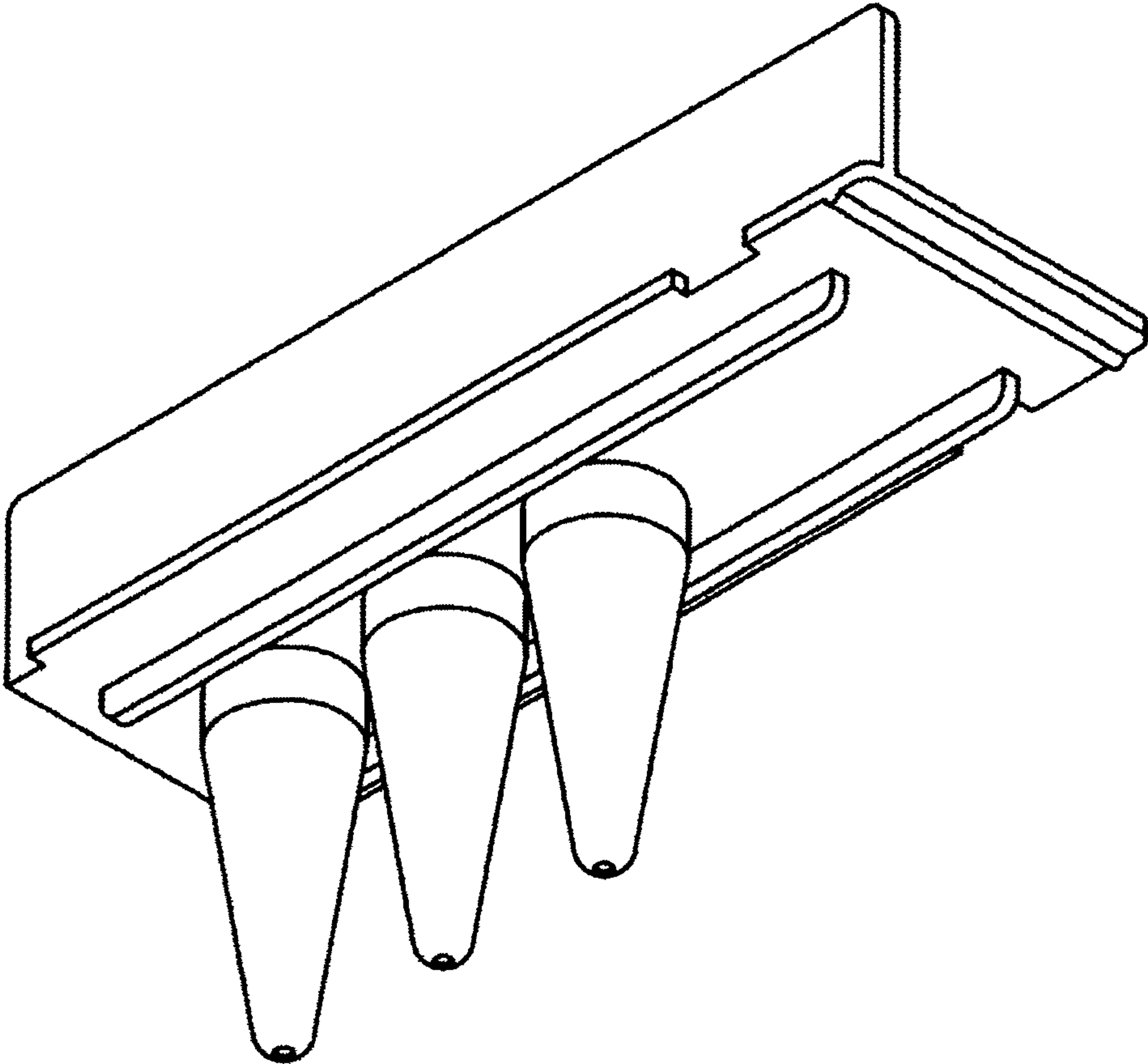


FIG. 2

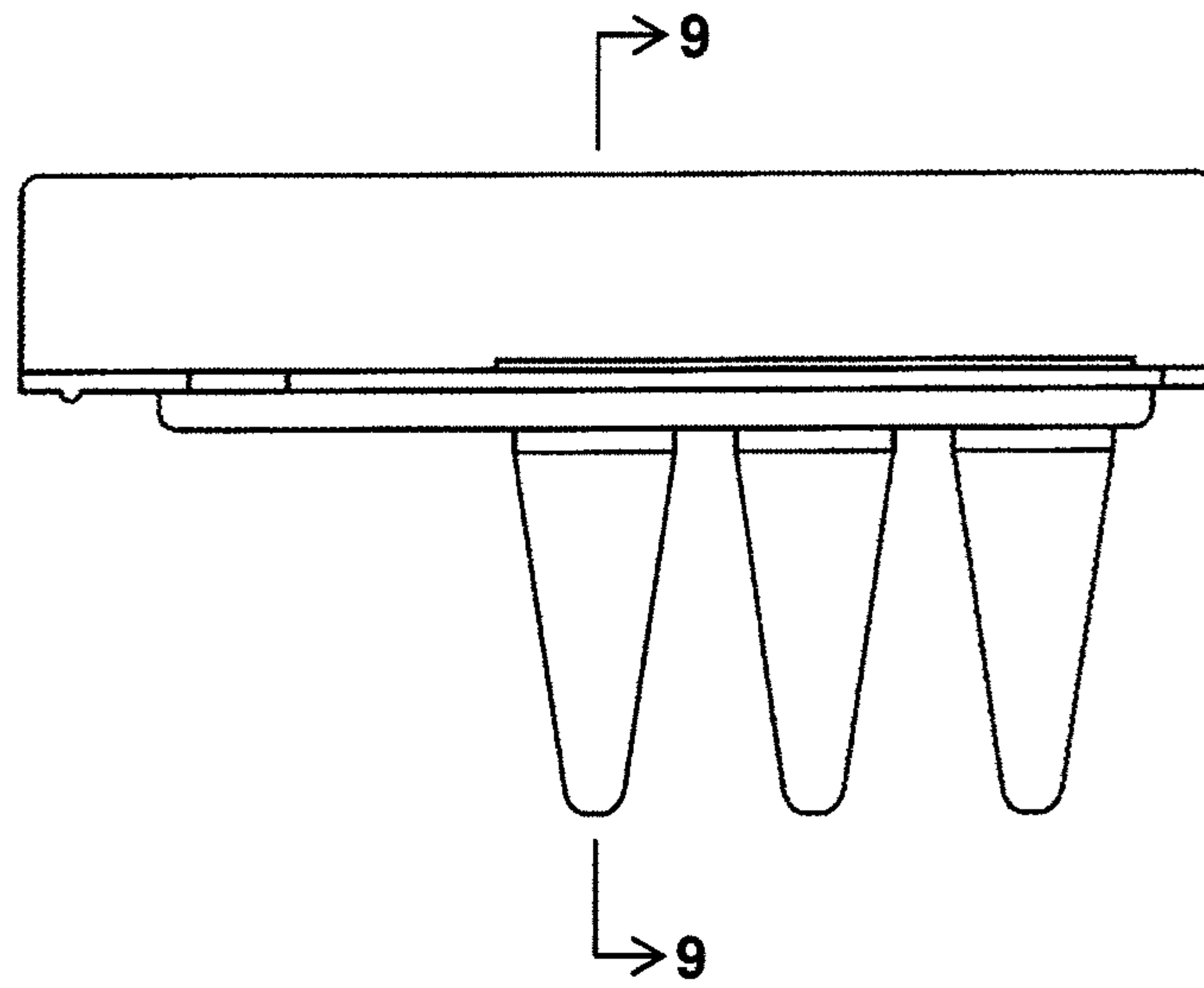


FIG. 3

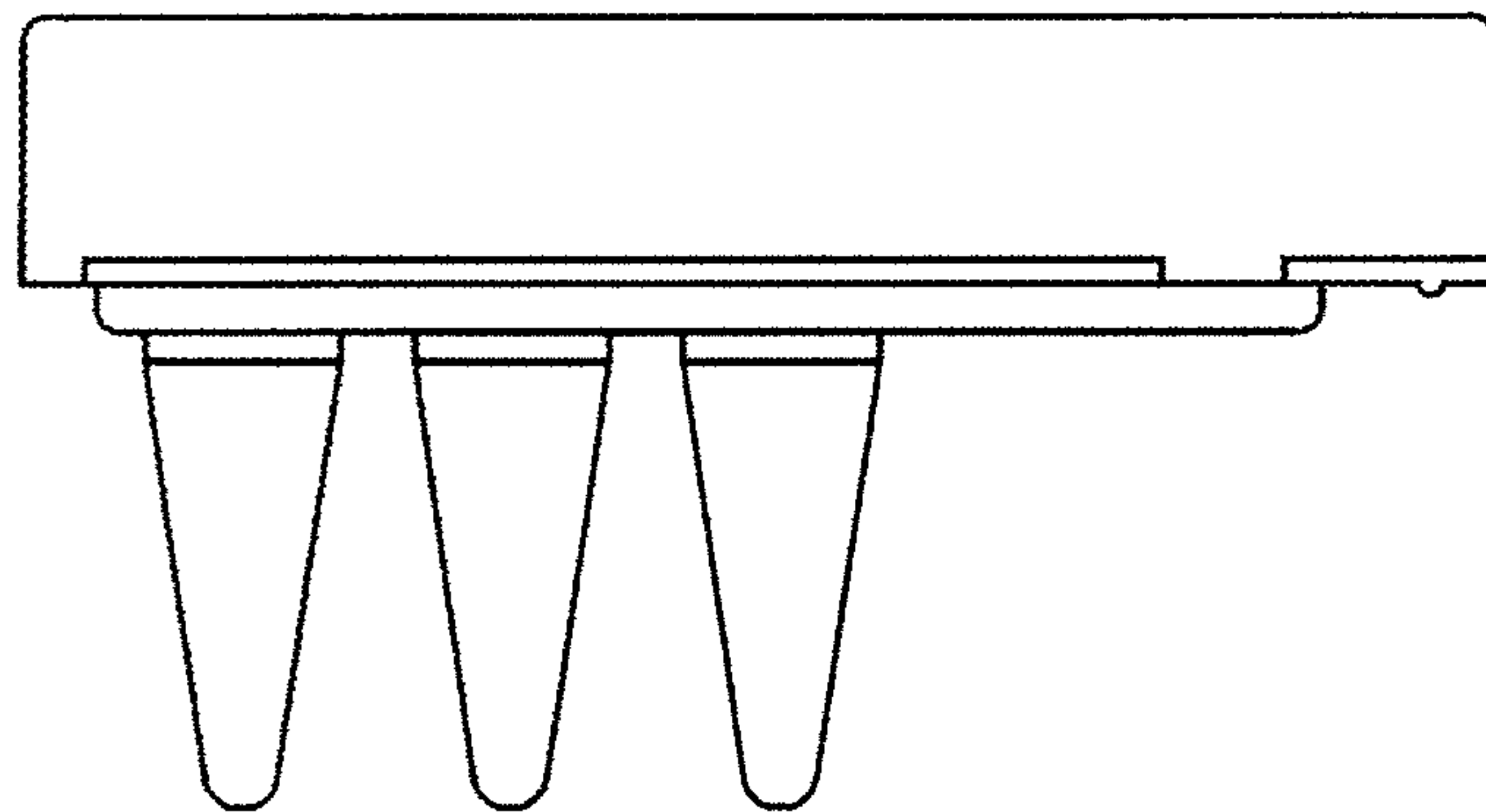


FIG. 4

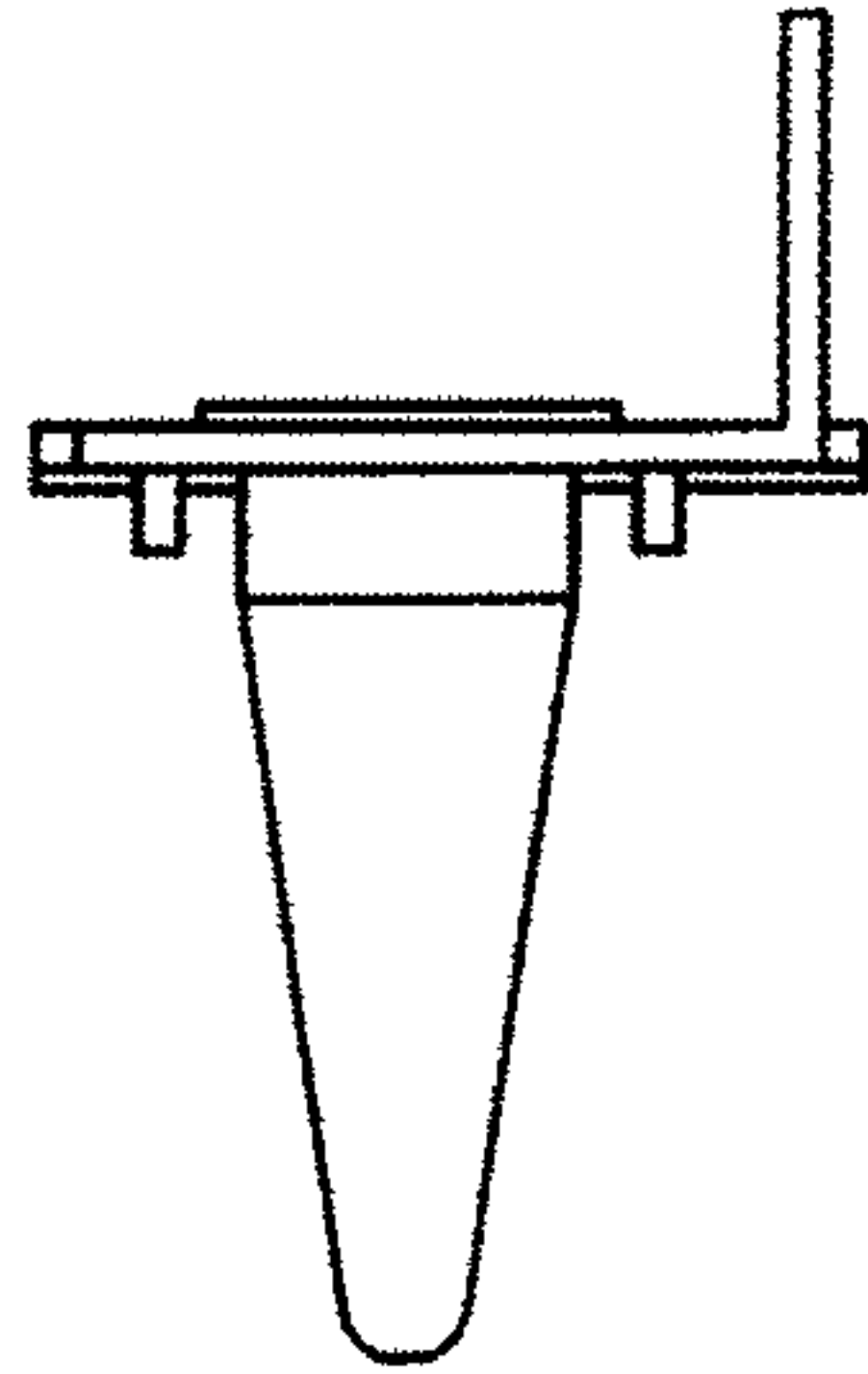


FIG. 5

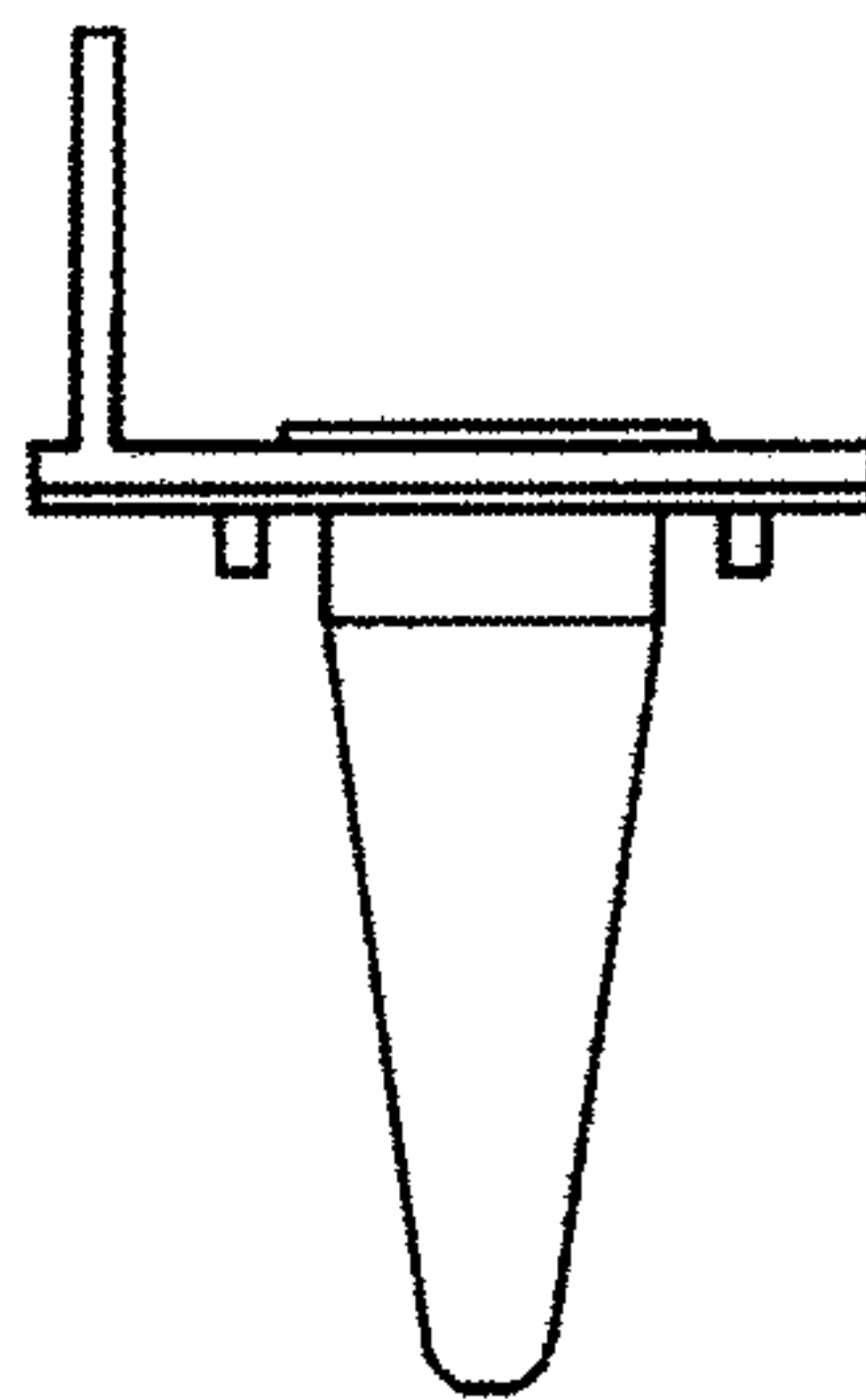


FIG. 6

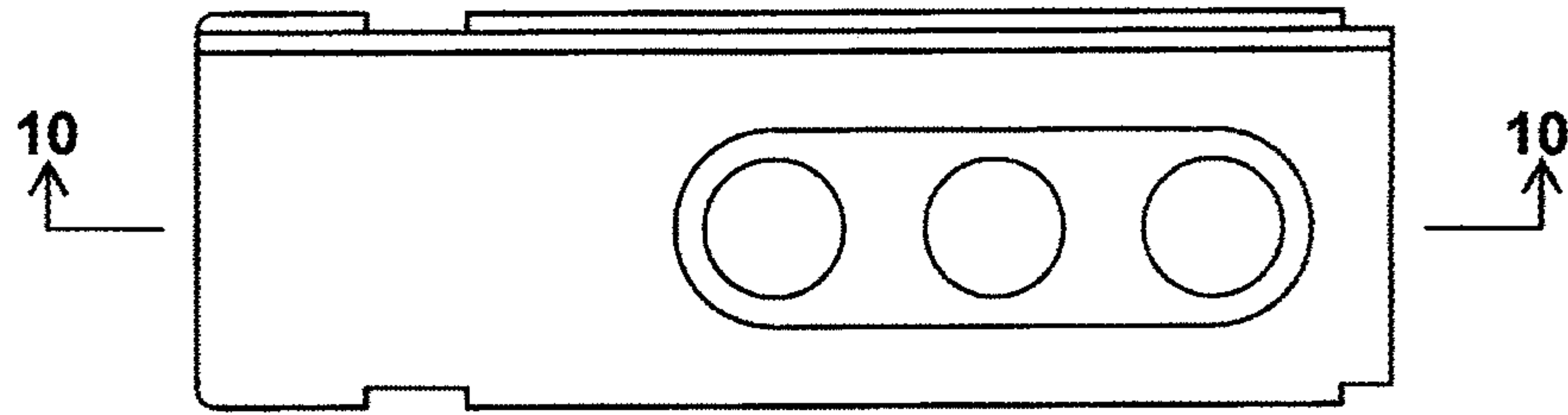


FIG. 7

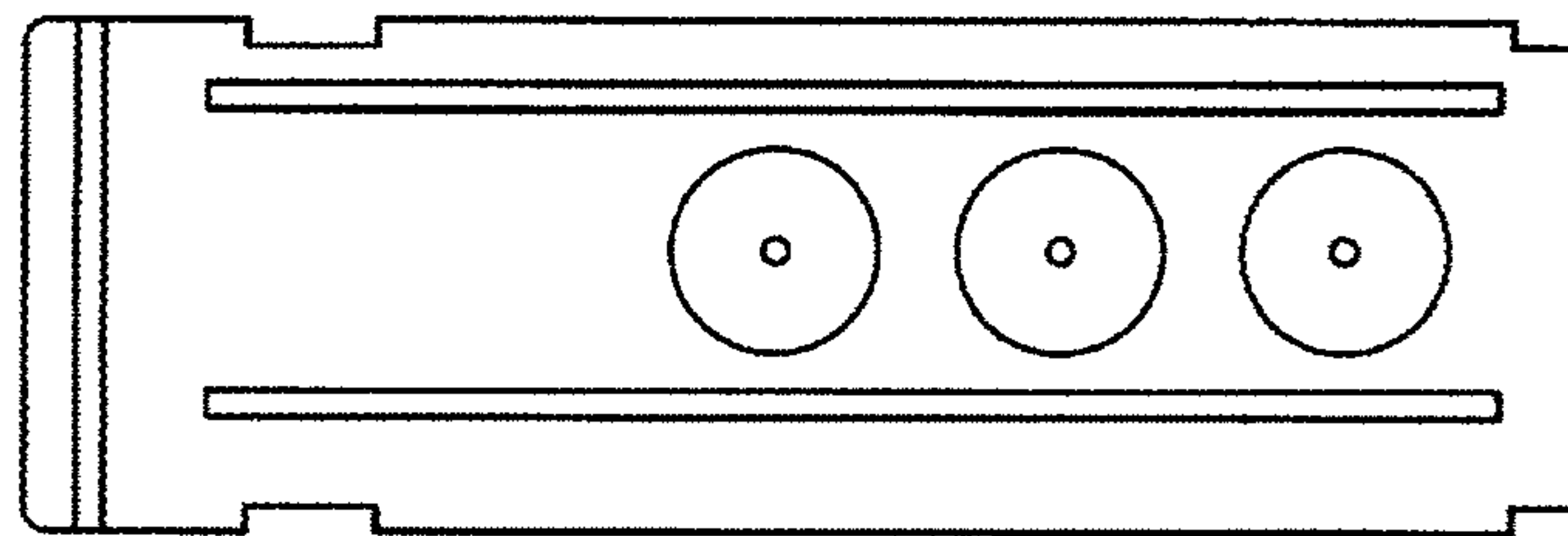


FIG. 8

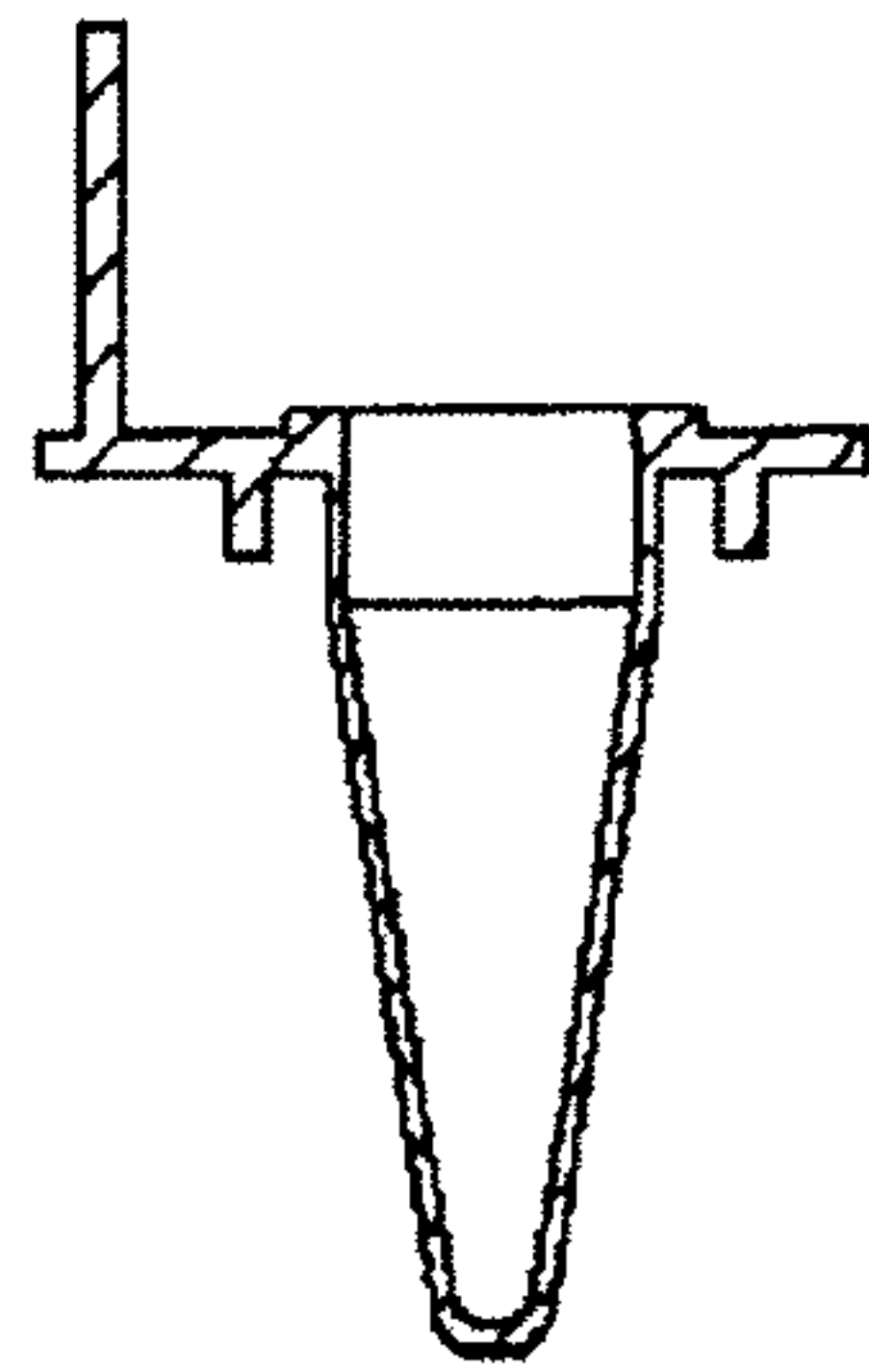


FIG. 9

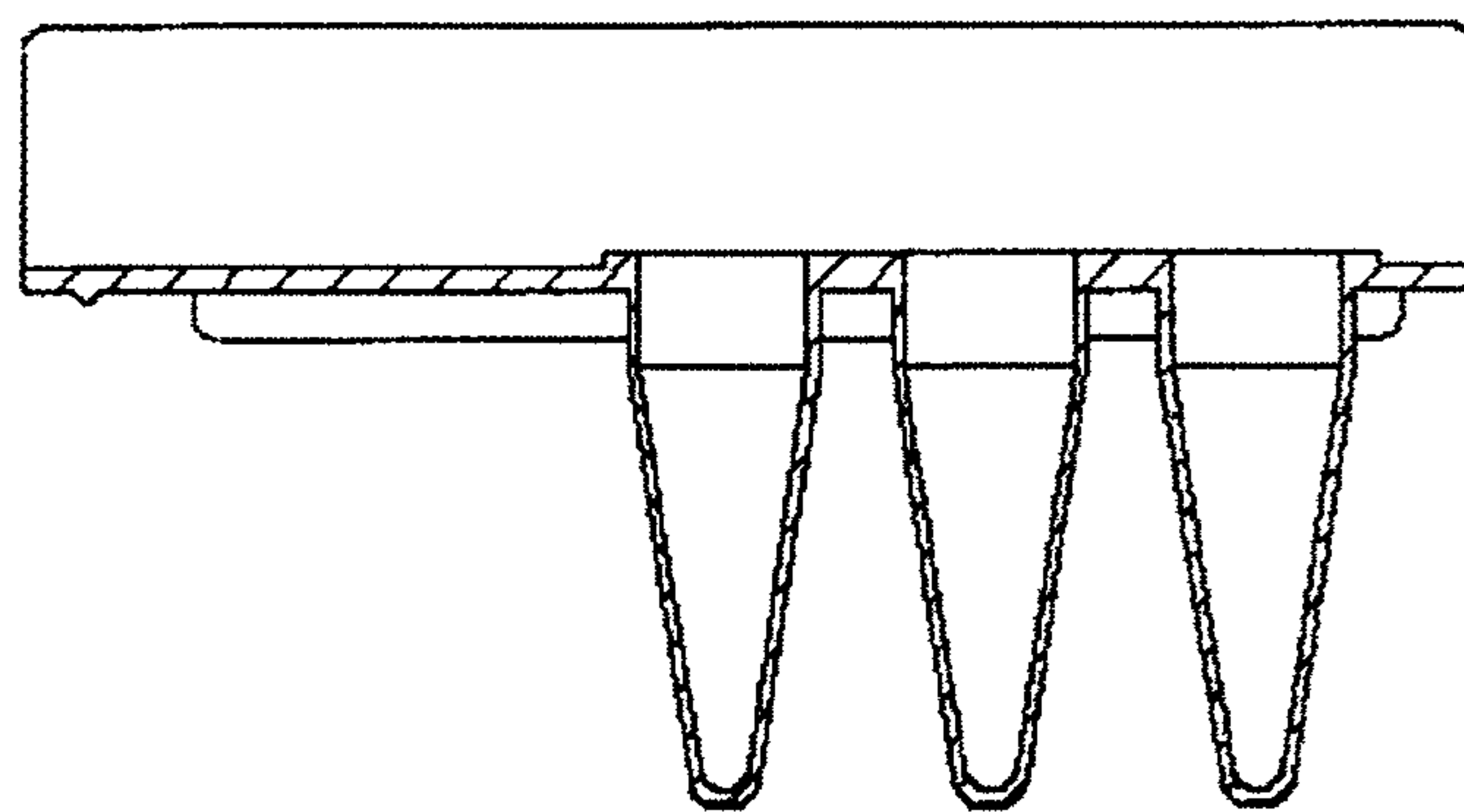


FIG. 10