



US00D778458S

(12) **United States Design Patent** (10) **Patent No.:** **US D778,458 S**  
**Tateno et al.** (45) **Date of Patent:** **\*\* Feb. 7, 2017**

(54) **REACTION TUBE**  
(71) Applicant: **Hitachi Kokusai Electric Inc.**, Tokyo (JP)  
(72) Inventors: **Hideto Tateno**, Toyama (JP); **Daisuke Hara**, Toyama (JP)  
(73) Assignee: **HITACHI KOKUSAI ELECTRIC INC.**, Tokyo (JP)  
(\*\*) Term: **15 Years**  
(21) Appl. No.: **29/536,715**  
(22) Filed: **Aug. 19, 2015**  
(30) **Foreign Application Priority Data**  
Feb. 23, 2015 (JP) ..... 2015-003570  
(51) **LOC (10) Cl.** ..... **24-02**  
(52) **U.S. Cl.**  
USPC ..... **D24/224**  
(58) **Field of Classification Search**  
USPC ..... D24/224, 217, 216, 228, 229, 230, 231, 232; 422/296, 297, 300, 298; 285/22, 135.3, 134.4, 139.2, 139.3; 137/241, 238; D13/182; 118/724  
CPC ..... A61L 2/00; A61L 2/0082; A61L 2/0094; A61L 2/0088  
See application file for complete search history.

(56) **References Cited**  
U.S. PATENT DOCUMENTS  
D405,062 S \* 2/1999 Shimazu ..... D13/182  
D405,431 S \* 2/1999 Shimazu ..... D13/182  
6,867,393 B1 \* 3/2005 Lewis ..... A61L 11/00  
219/401  
D569,008 S \* 5/2008 Lundqvist ..... D24/232  
D586,768 S \* 2/2009 Inoue ..... D13/182  
D600,659 S \* 9/2009 Matsuura ..... D13/182  
D618,638 S \* 6/2010 Nakashima ..... D13/182

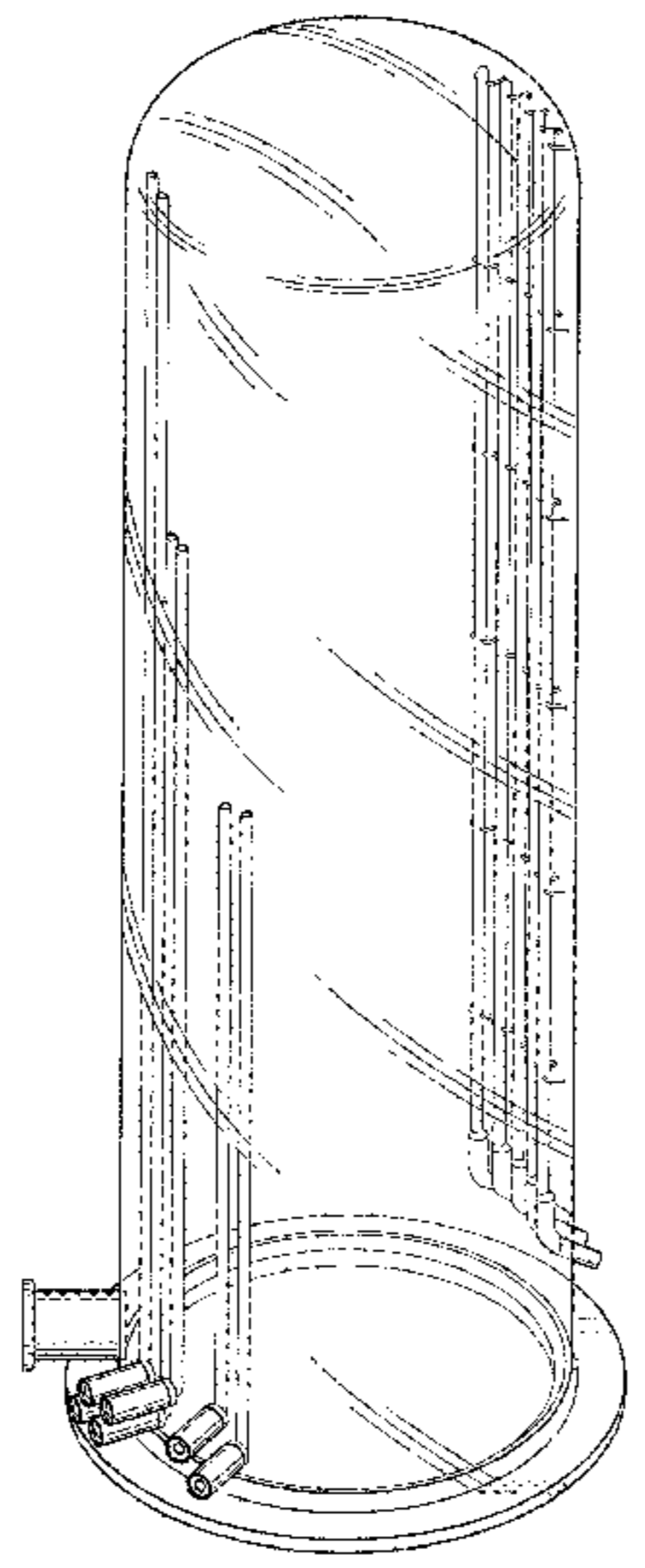
D711,843 S \* 8/2014 Yamazaki ..... D13/182  
D719,114 S \* 12/2014 Yamazaki ..... D13/182  
D720,707 S \* 1/2015 Yamazaki ..... D13/182  
D725,055 S \* 3/2015 Yamazaki ..... D13/182  
D739,832 S \* 9/2015 Yamazaki ..... D13/182  
D742,339 S \* 11/2015 Takagi ..... D13/182  
D748,594 S \* 2/2016 Takagi ..... D13/182  
2009/0250005 A1 \* 10/2009 Kaneko ..... H01L 21/67109  
118/724

\* cited by examiner  
*Primary Examiner* — Susan Bennett Hattan  
*Assistant Examiner* — Rebecca Tsehaye  
(74) *Attorney, Agent, or Firm* — Fitch, Even, Tabin & Flannery, LLP

(57) **CLAIM**  
We claim the ornamental design for a reaction tube, as shown and described.

**DESCRIPTION**  
FIG. 1 is a perspective view of a reaction tube showing my new design;  
FIG. 2 is a front elevational view thereof;  
FIG. 3 is a rear elevational view thereof;  
FIG. 4 is a left side elevational view thereof;  
FIG. 5 is a right side elevational view thereof;  
FIG. 6 is a top plan view thereof; and  
FIG. 7 is a bottom plan view thereof.  
FIG. 8 is a cross sectional view taken along line 8-8 in FIG. 6 thereof;  
FIG. 9 is an enlarged cross sectional view taken along line 9-9 in FIG. 2 thereof;  
FIG. 10 is an enlarged cross-sectional view taken along line 10-10 in FIG. 4 thereof;  
FIG. 11 is an enlarged cross-sectional view taken along line 11-11 in FIG. 5 thereof; and,  
FIG. 12 is an enlarged cross sectional view taken along line 12-12 in FIG. 9 thereof.

**1 Claim, 10 Drawing Sheets**



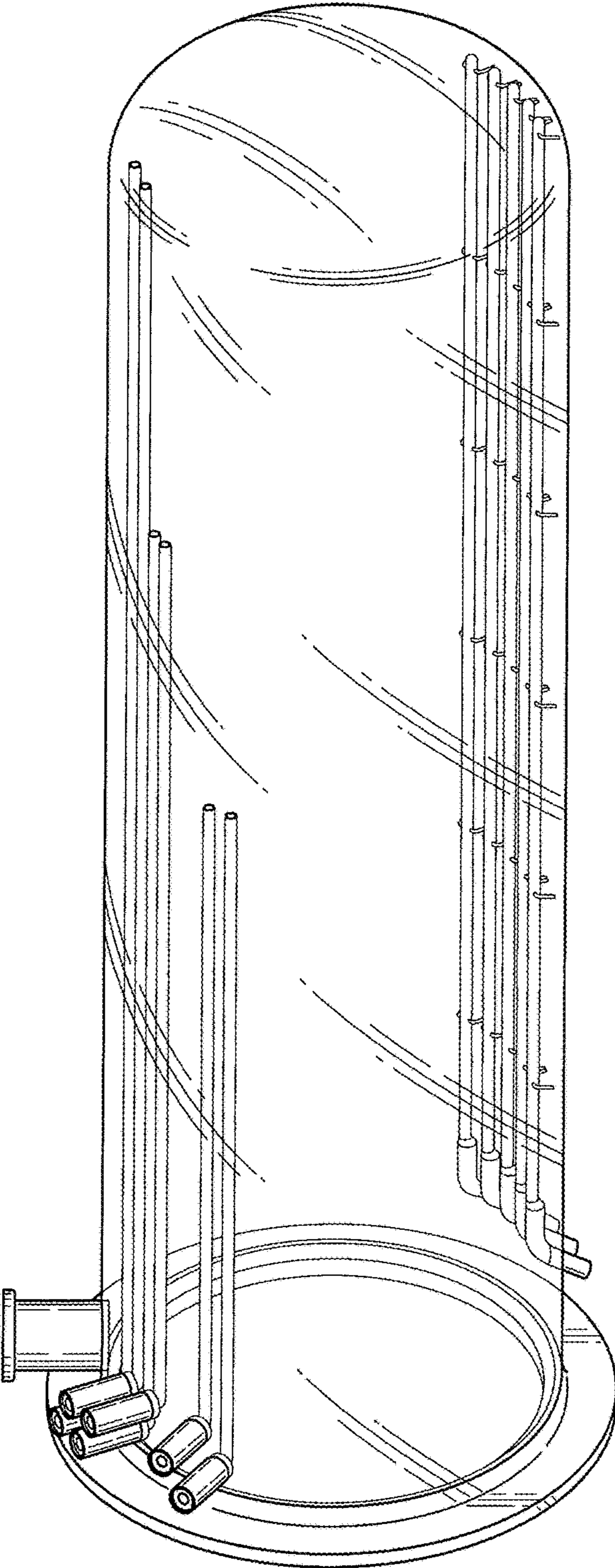


FIG. 1

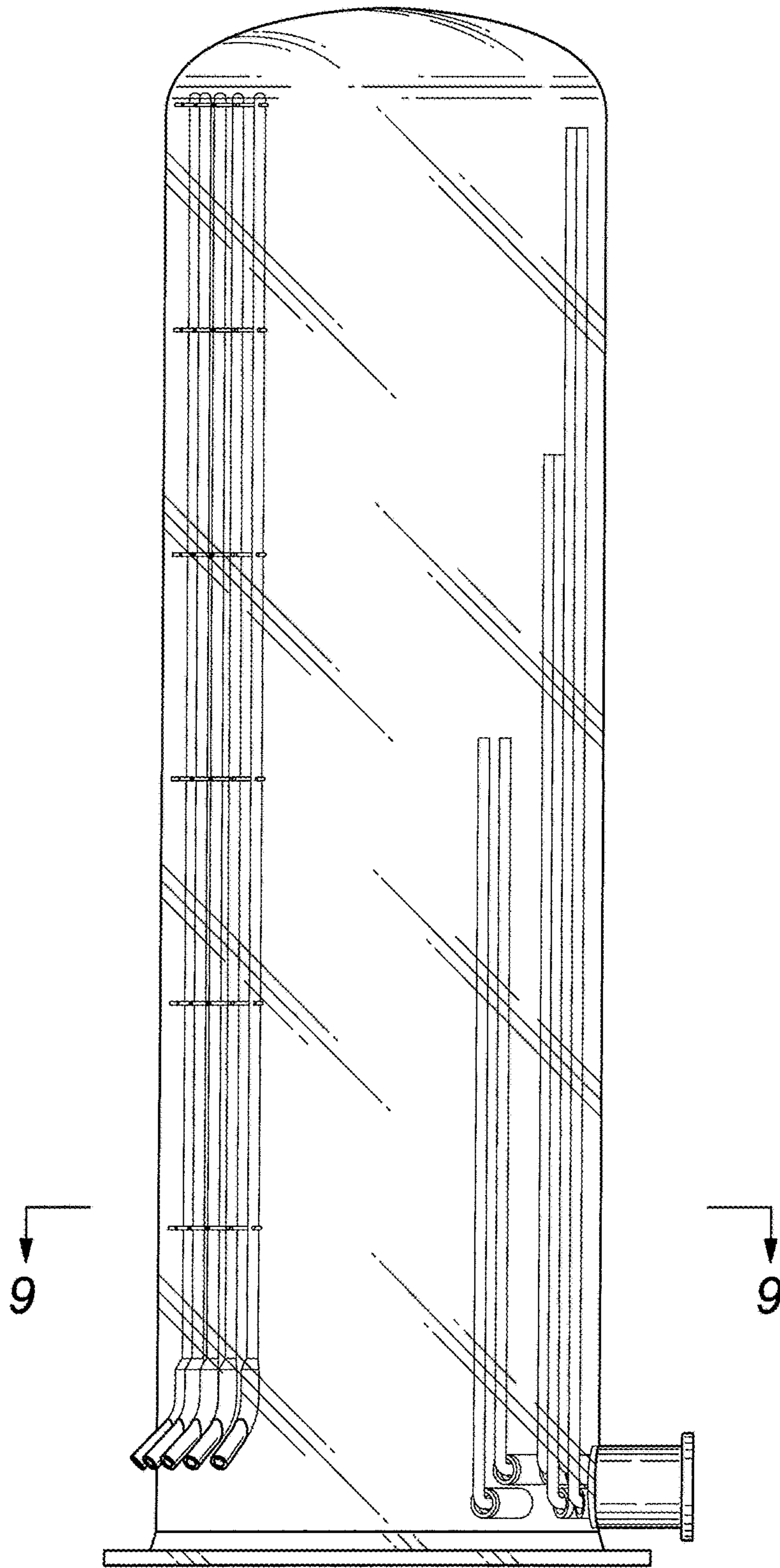


FIG. 2

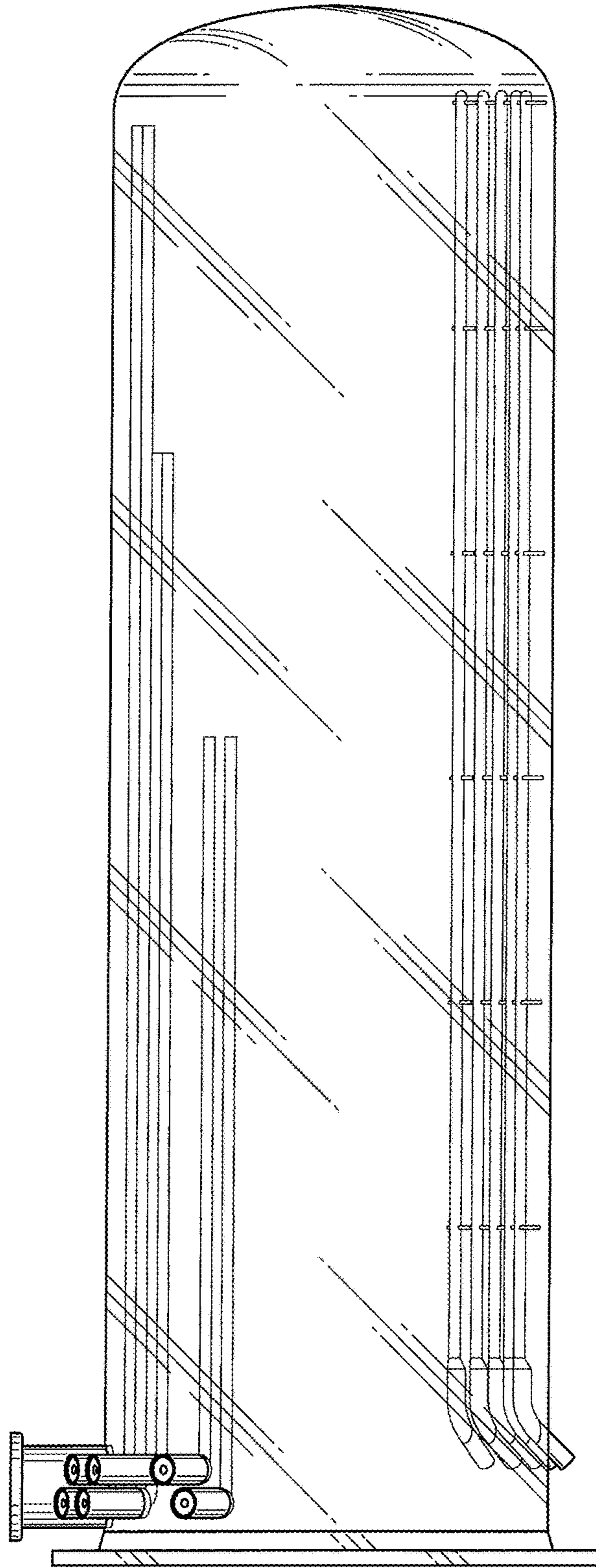


FIG. 3

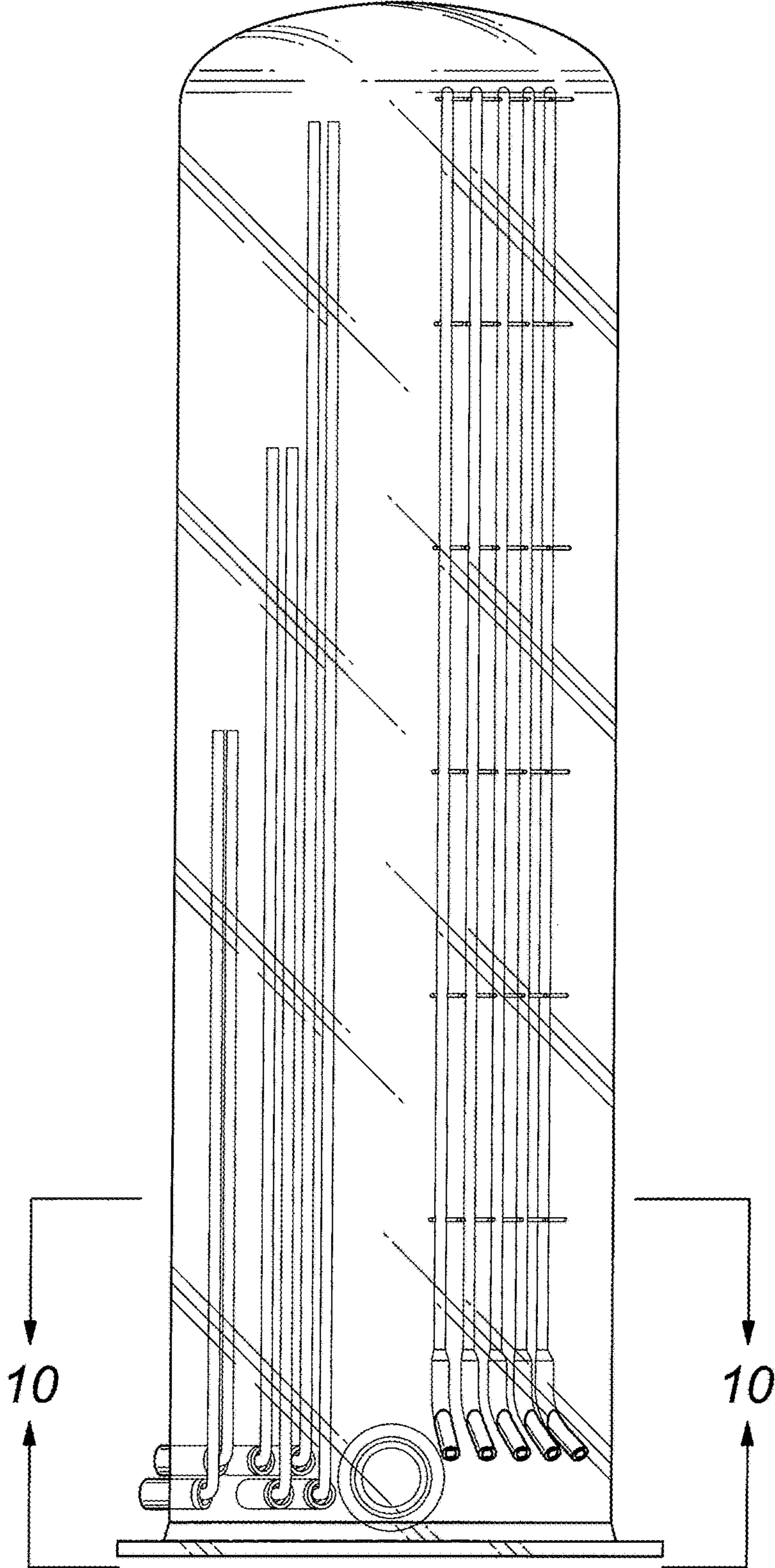


FIG. 4

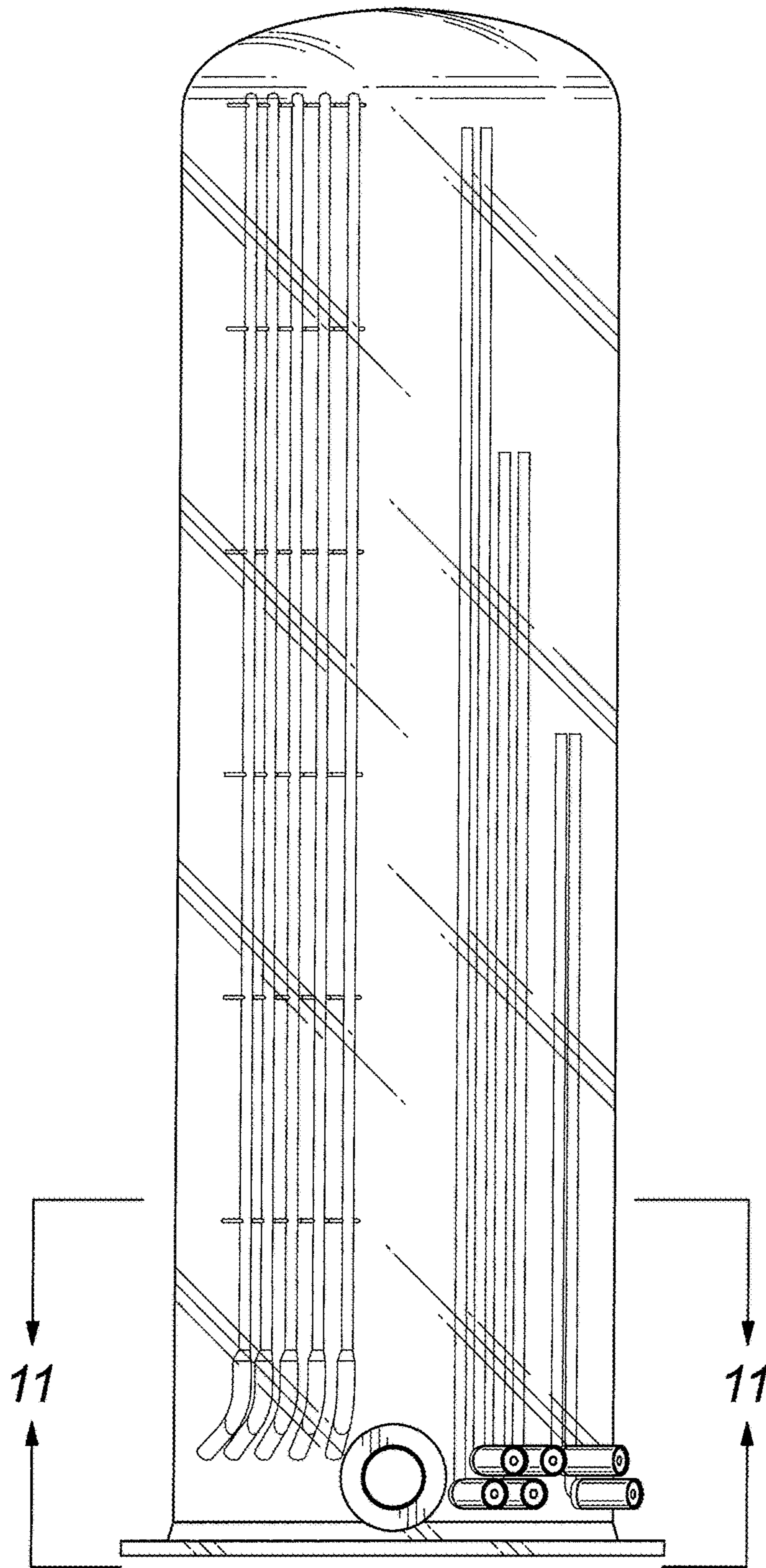
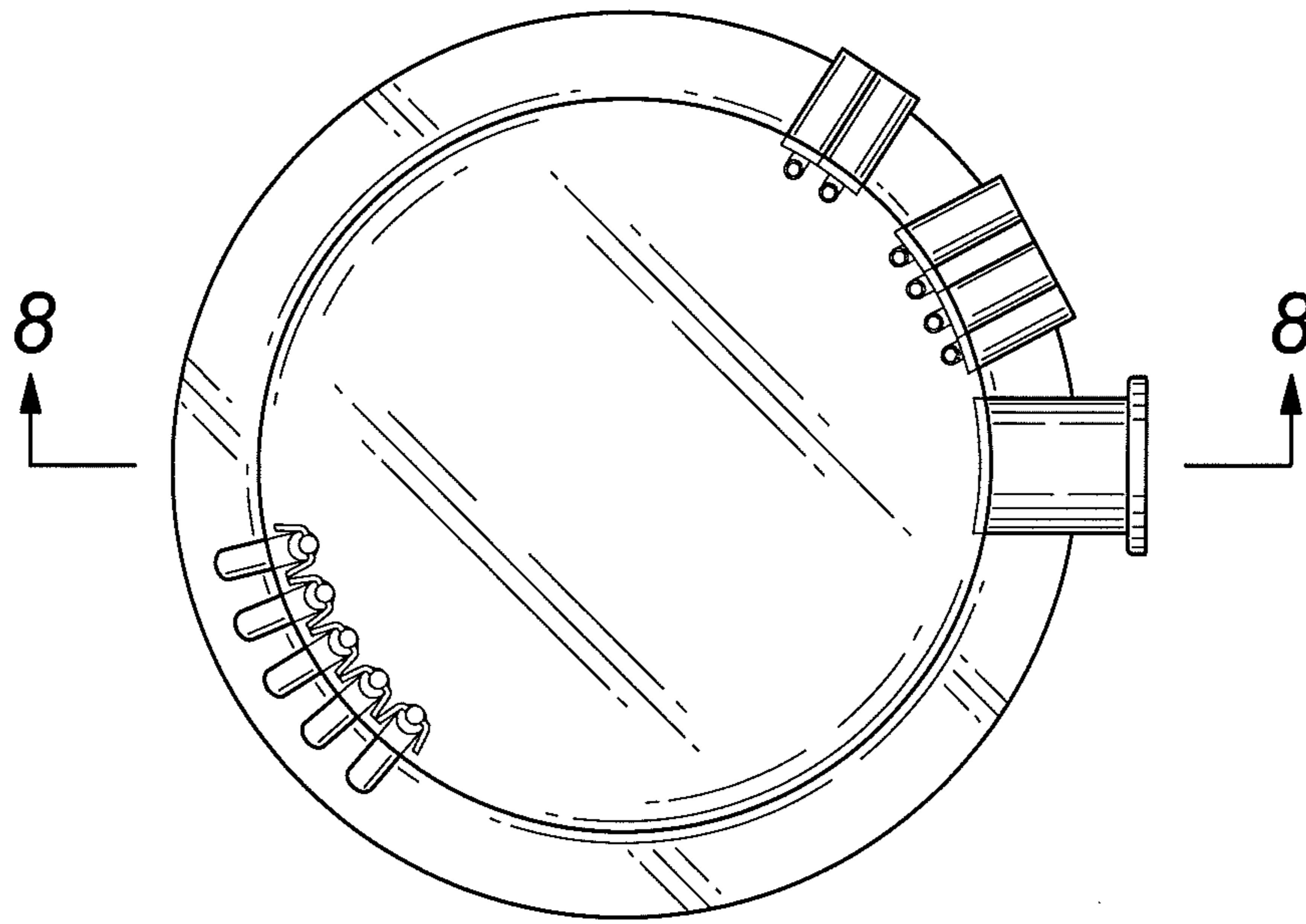
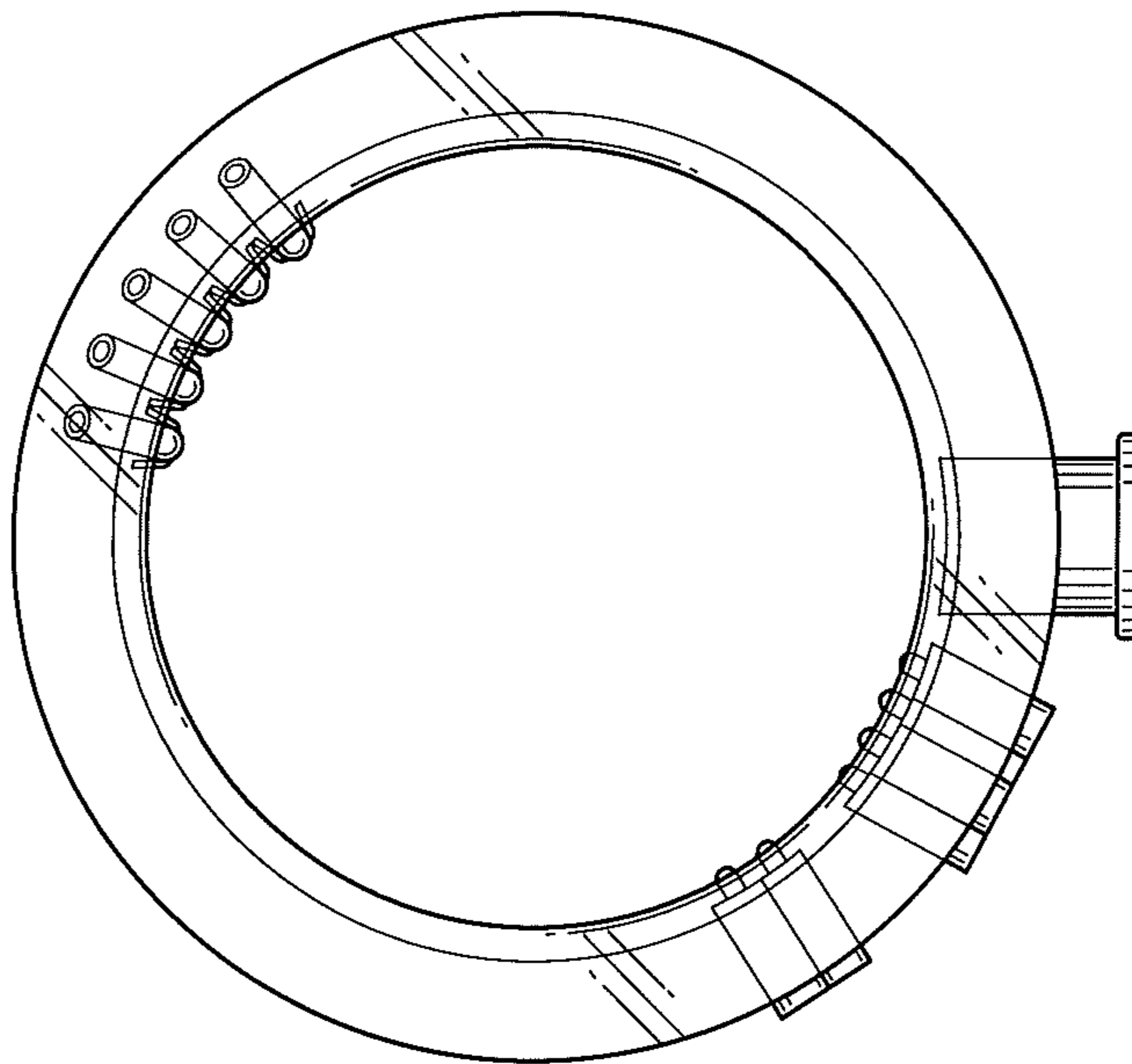


FIG. 5



**FIG. 6**



**FIG. 7**

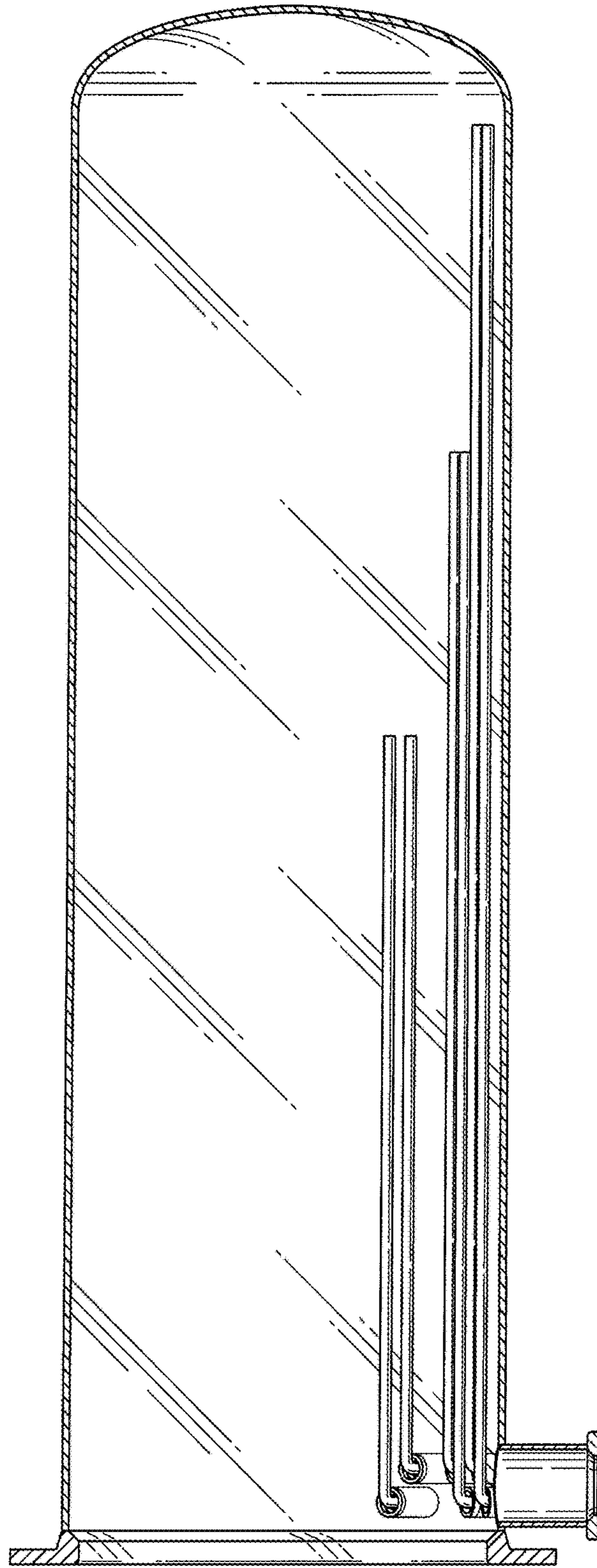


FIG. 8



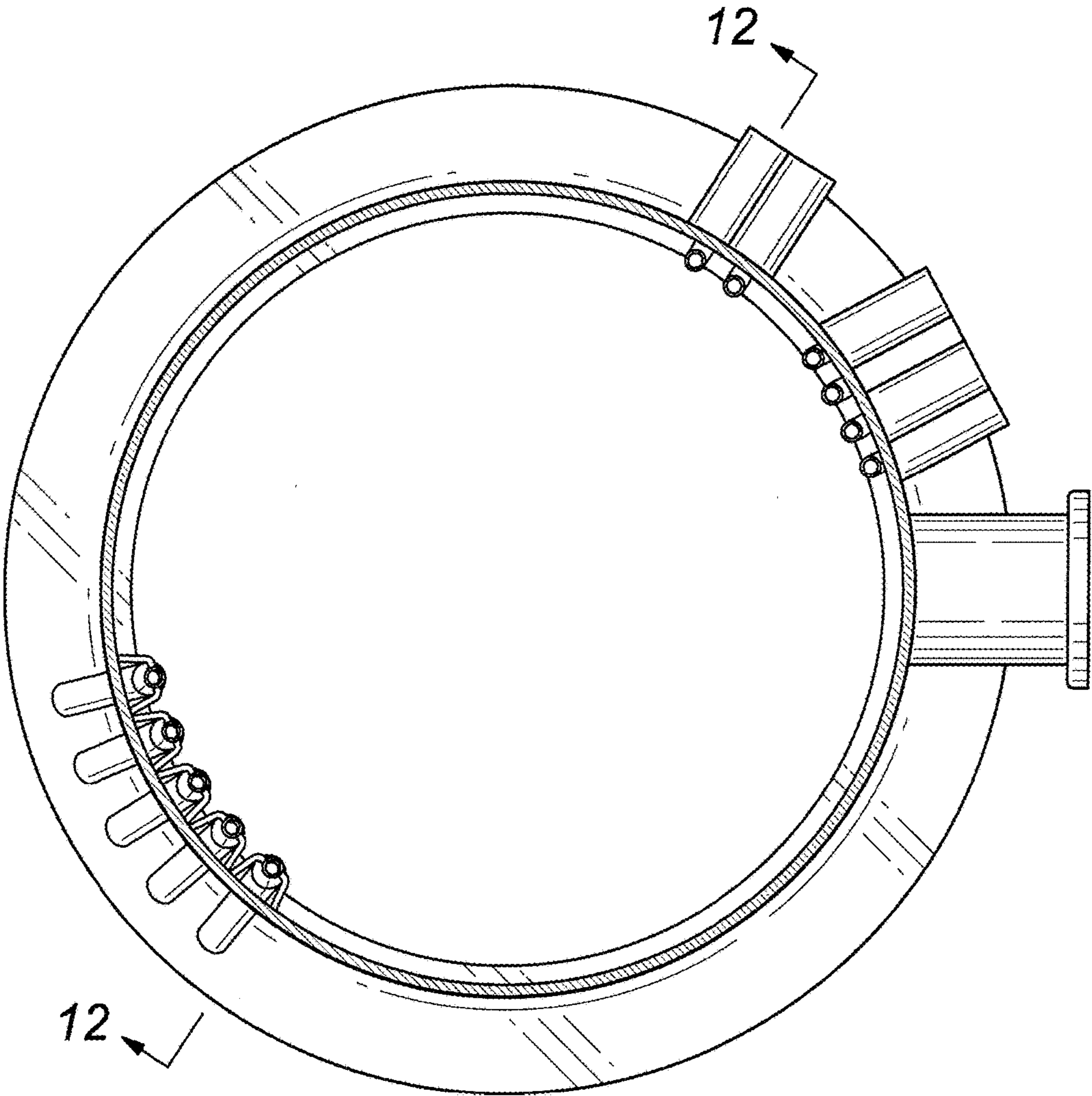


FIG. 9

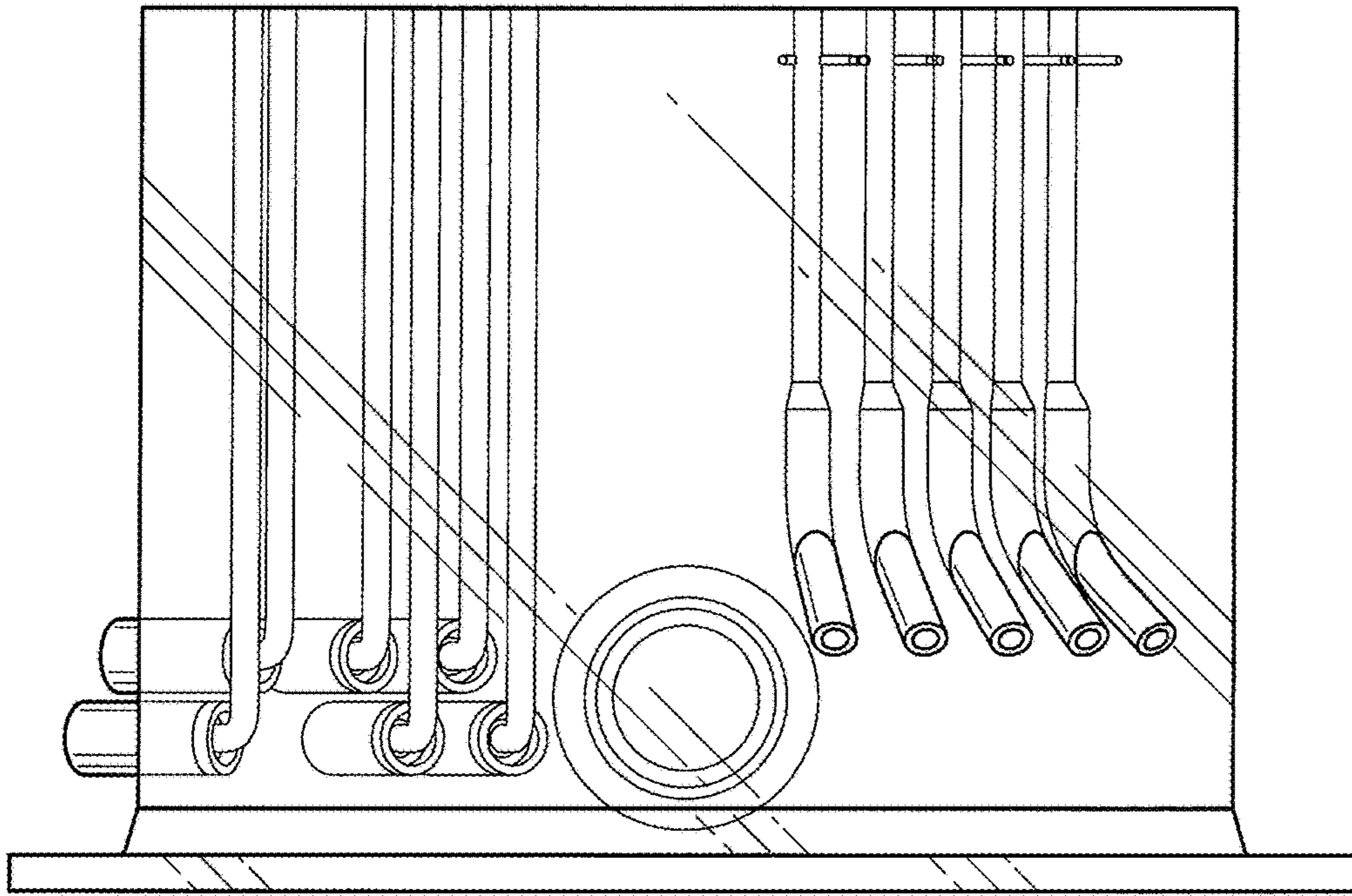


FIG. 10

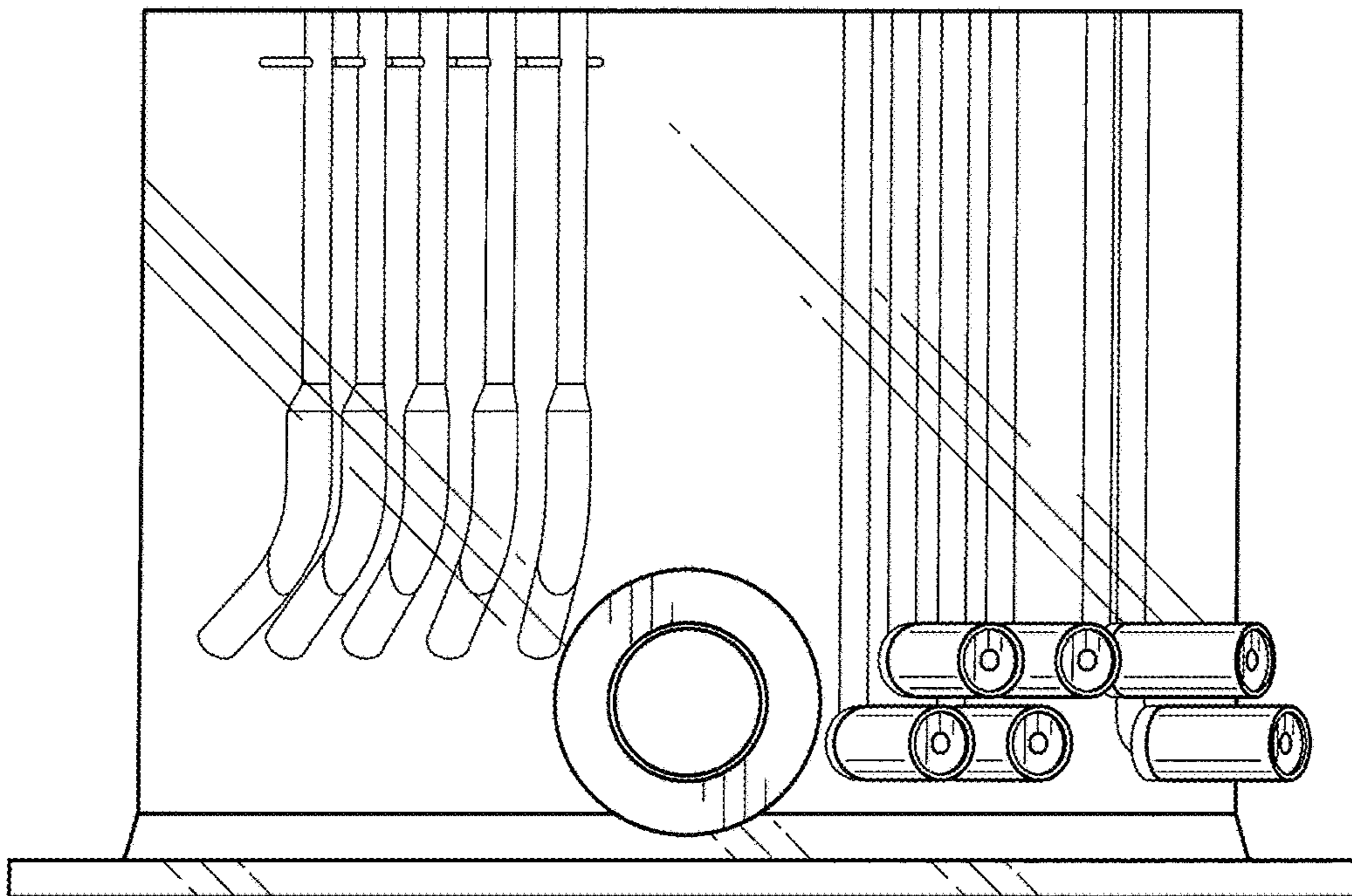


FIG. 11

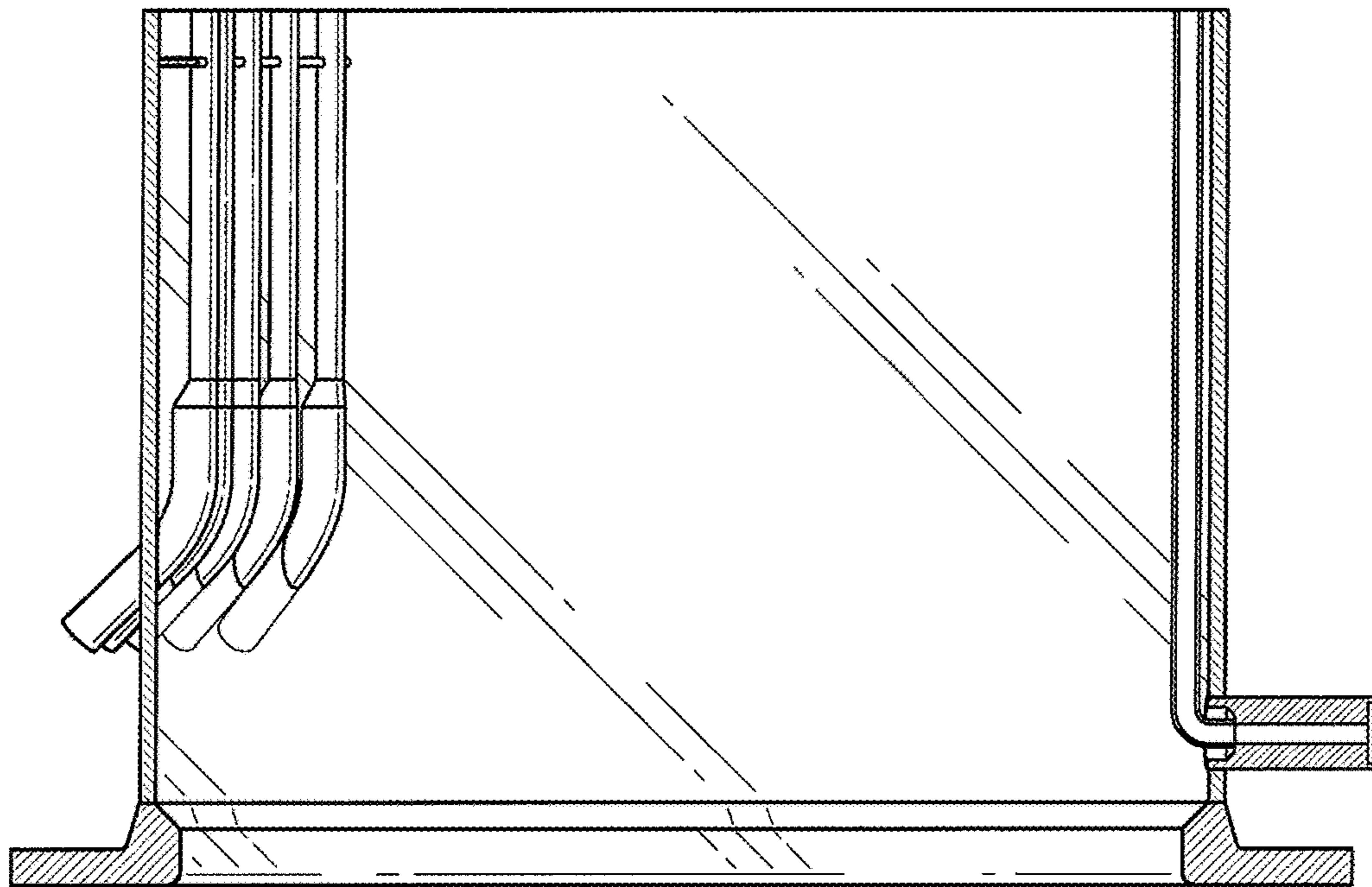


FIG. 12