



US00D778457S

(12) **United States Design Patent** (10) **Patent No.:** **US D778,457 S**  
**Hara et al.** (45) **Date of Patent:** **\*\* Feb. 7, 2017**

(54) **REACTION TUBE**

(71) Applicant: **Hitachi Kokusai Electric Inc.**, Tokyo (JP)

(72) Inventors: **Daisuke Hara**, Toyama (JP); **Hideto Tateno**, Toyama (JP)

(73) Assignee: **HITACHI KOKUSAI ELECTRIC INC.**, Tokyo (JP)

(\*\*) Term: **15 Years**

(21) Appl. No.: **29/536,705**

(22) Filed: **Aug. 19, 2015**

(30) **Foreign Application Priority Data**

Feb. 23, 2015 (JP) ..... 2015-003569

(51) **LOC (10) Cl.** ..... **24-02**

(52) **U.S. Cl.**  
USPC ..... **D24/224**

(58) **Field of Classification Search**  
USPC ..... D24/224, 217, 216, 228, 229, 230, 231, D24/232; 422/296, 297, 300, 298; 285/22, 285/135.3, 134.4, 139.2, 139.3, 123.3, 285/133.11; 137/241, 238; D13/182; 118/724; 138/113, 109, 115; 165/177  
CPC ..... A61L 2/00; A61L 2/0082; A61L 2/0094; A61L 2/0088; F16L 21/005  
See application file for complete search history.

(56) **References Cited**

**U.S. PATENT DOCUMENTS**

- 2,167,865 A \* 8/1939 Beecher ..... F16L 21/005 174/77 R
- 2,761,949 A \* 9/1956 Colton ..... F16L 59/20 138/113
- 3,929,356 A \* 12/1975 DeVincent ..... B60H 1/00571 285/124.5
- 4,768,587 A \* 9/1988 Halder ..... F16L 37/144 165/177

(Continued)

*Primary Examiner* — Susan Bennett Hattan  
*Assistant Examiner* — Rebecca Tsehaye  
(74) *Attorney, Agent, or Firm* — Fitch, Even, Tabin & Flannery, LLP

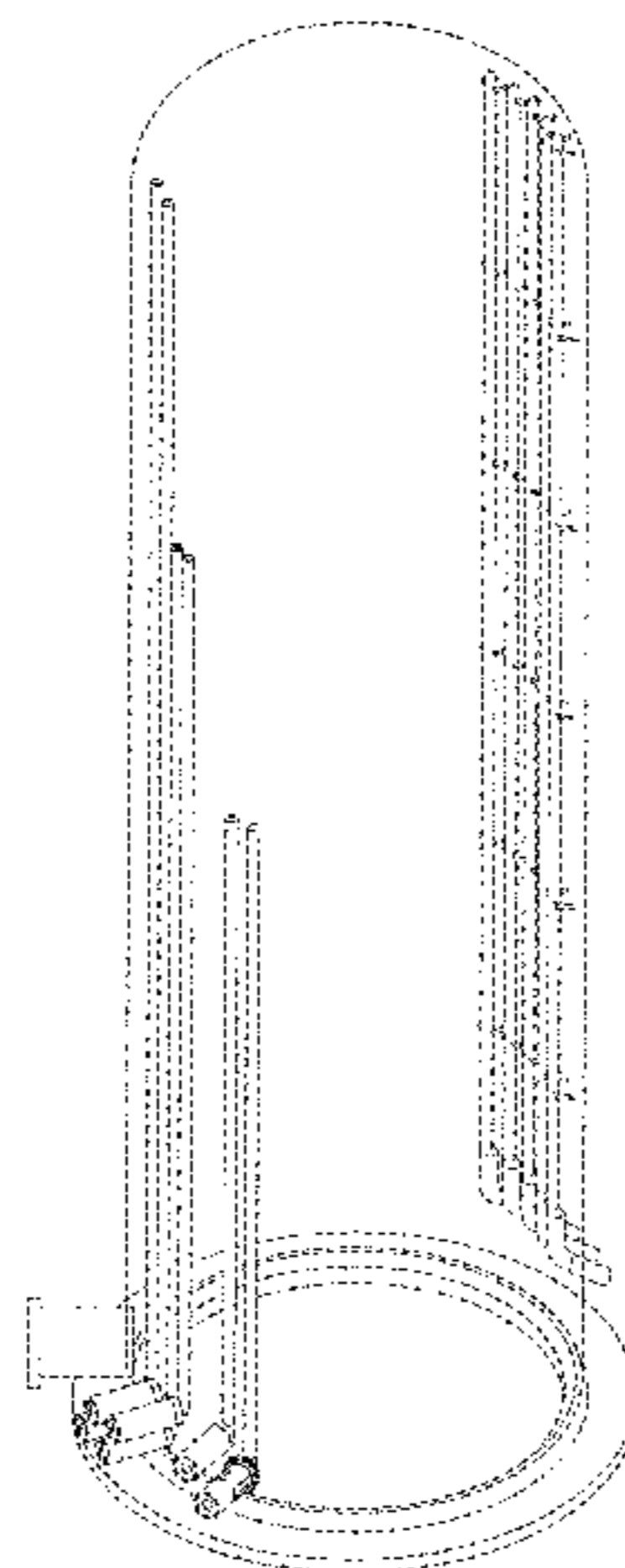
(57) **CLAIM**

We claim the ornamental design for a reaction tube, as shown and described.

**DESCRIPTION**

FIG. 1 is a perspective view of a reaction tube showing my new design;  
 FIG. 2 is a front elevational view thereof;  
 FIG. 3 is a rear elevational view thereof;  
 FIG. 4 is a left side elevational view thereof;  
 FIG. 5 is a right side elevational view thereof;  
 FIG. 6 is a top plan view thereof; and  
 FIG. 7 is a bottom plan view thereof.  
 FIG. 8 is a cross sectional view taken along line 8-8 in FIG. 6 thereof;  
 FIG. 9 is an enlarged cross sectional view taken along line 9-9 in FIG. 2 thereof;  
 FIG. 10 is an enlarged cross-sectional view taken along line 10-10 in FIG. 3 thereof;  
 FIG. 11 is an enlarged cross-sectional view taken along line 11-11 in FIG. 4 thereof; and  
 FIG. 12 is an enlarged cross-sectional view taken along line 12-12 in FIG. 5 thereof;  
 FIG. 13 is an enlarged cross sectional view taken along line 13-13 in FIG. 8 thereof;  
 FIG. 14 is an enlarged cross sectional view taken along line 14-14 in FIG. 9 thereof; and,  
 FIG. 15 is an enlarged cross sectional view taken along line 15-15 in FIG. 14 thereof.  
 The dashed-dot-dashed lines represent the boundary lines of the claimed design.  
 The broken lines shown in the drawings represent portions of the reaction tube that form no part of the claimed design.

**1 Claim, 12 Drawing Sheets**



(56)

**References Cited**

U.S. PATENT DOCUMENTS

5,063,968 A \* 11/1991 Bartholomew ..... F16L 37/0987  
138/109  
5,820,167 A \* 10/1998 Linkner, Jr. .... F16L 39/00  
285/124.1  
6,164,706 A \* 12/2000 Hayes, Jr. .... F16L 43/00  
285/133.11  
D586,768 S \* 2/2009 Inoue ..... D13/182  
D600,659 S \* 9/2009 Matsuura ..... D13/182  
7,914,049 B2 \* 3/2011 Vinci ..... A61M 1/1656  
285/133.11  
8,727,385 B2 \* 5/2014 Shinoda ..... F01N 13/008  
138/115  
9,404,352 B2 \* 8/2016 Dittmer ..... E21B 43/2401

\* cited by examiner

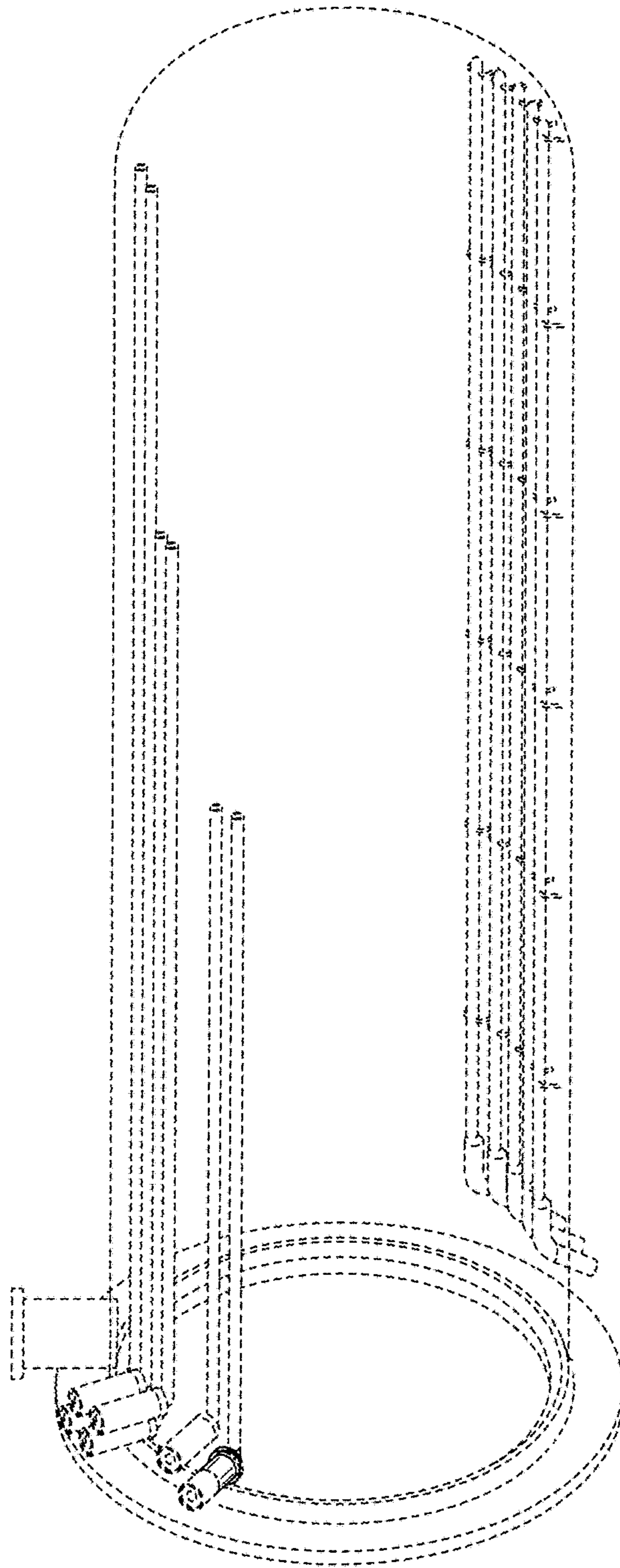


FIG. 1

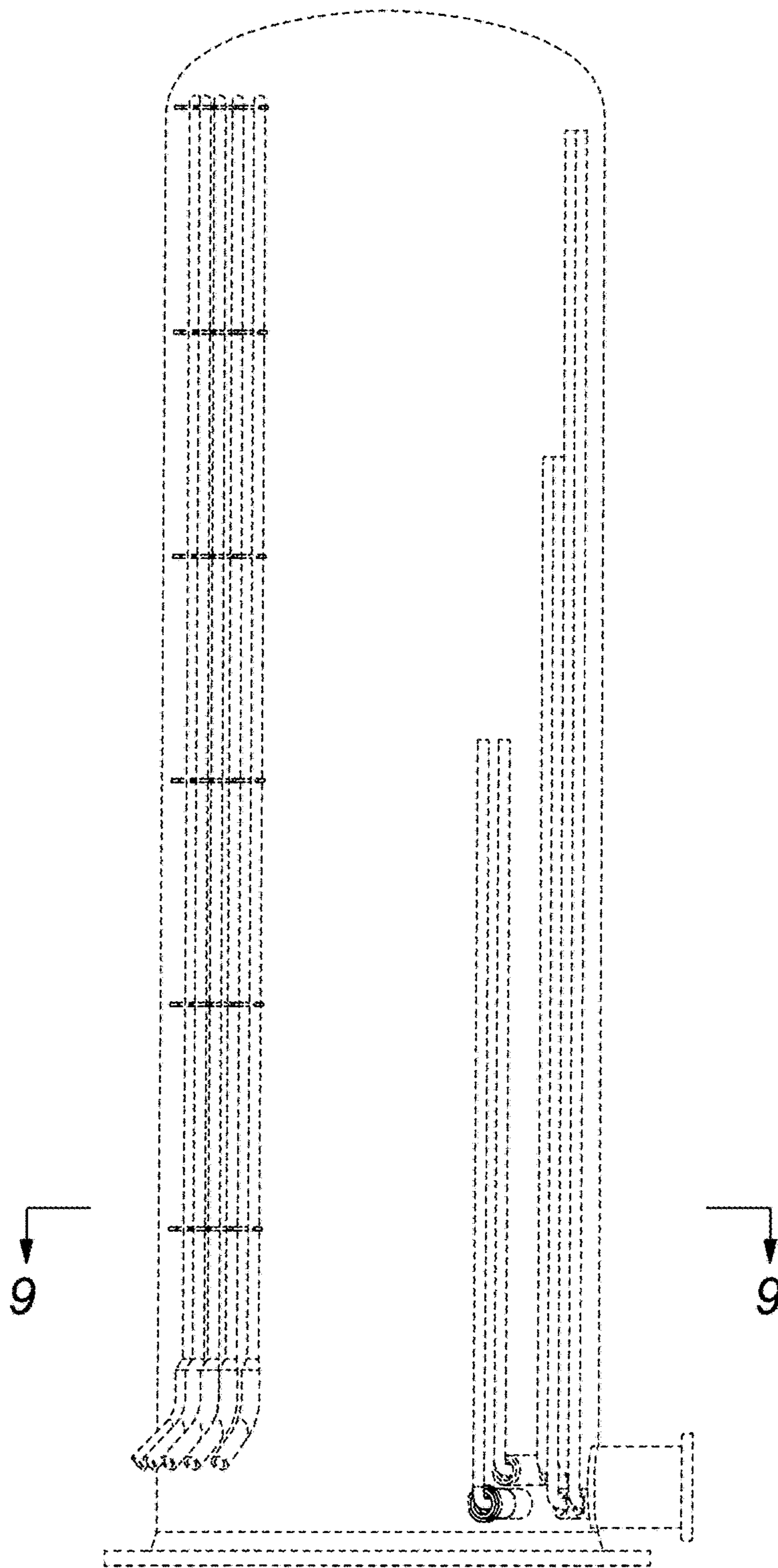


FIG. 2

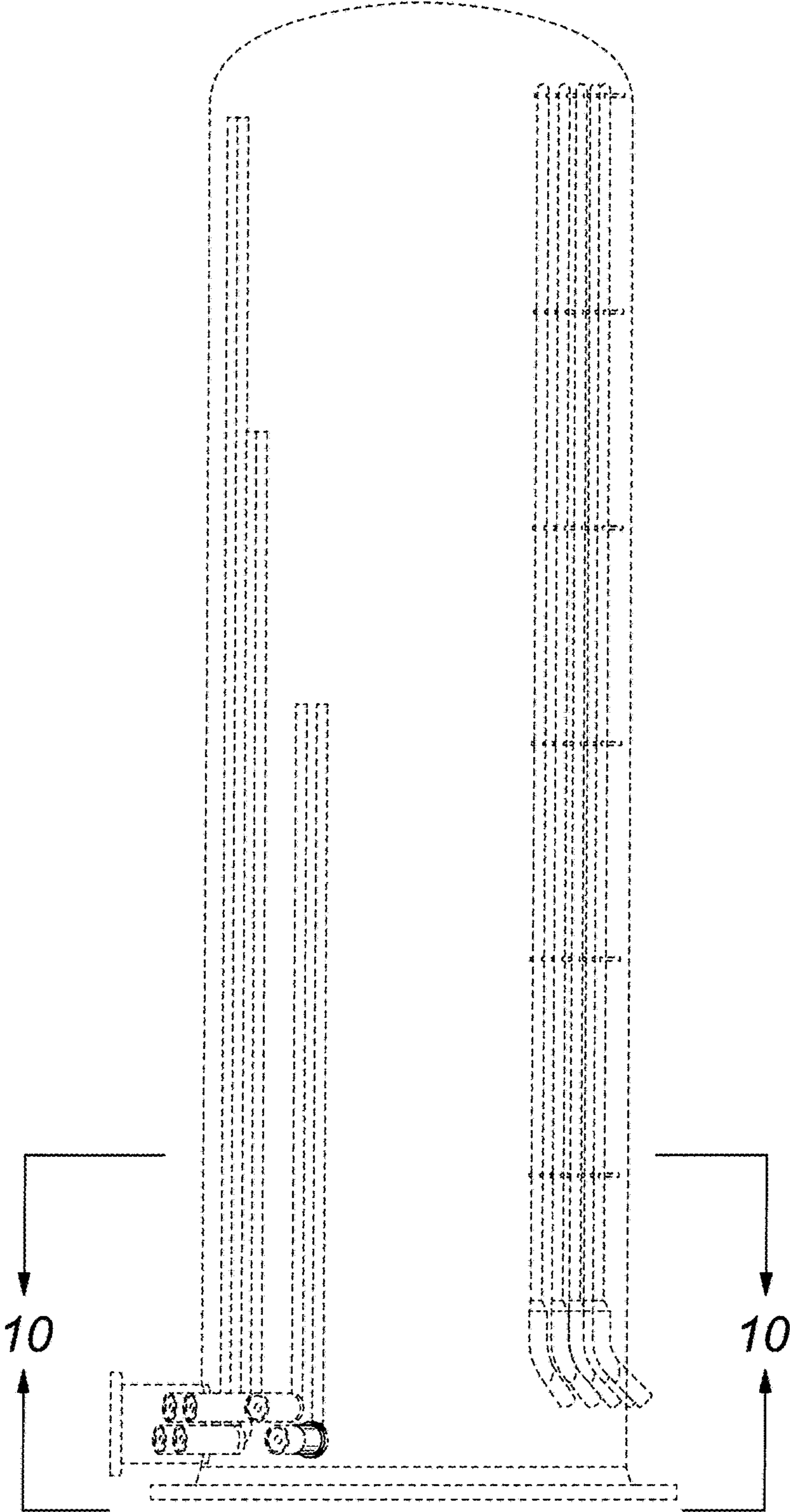


FIG. 3

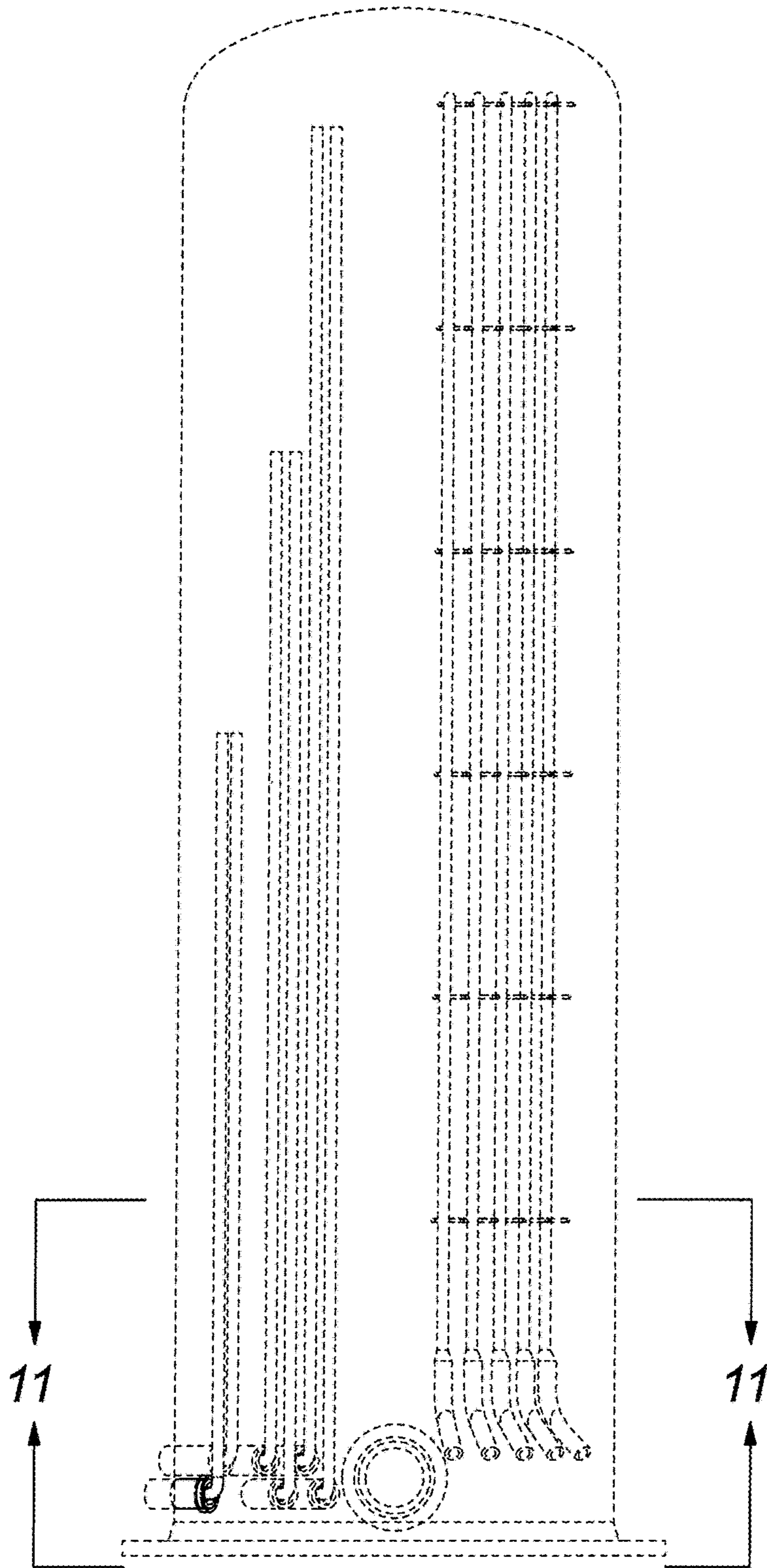


FIG. 4

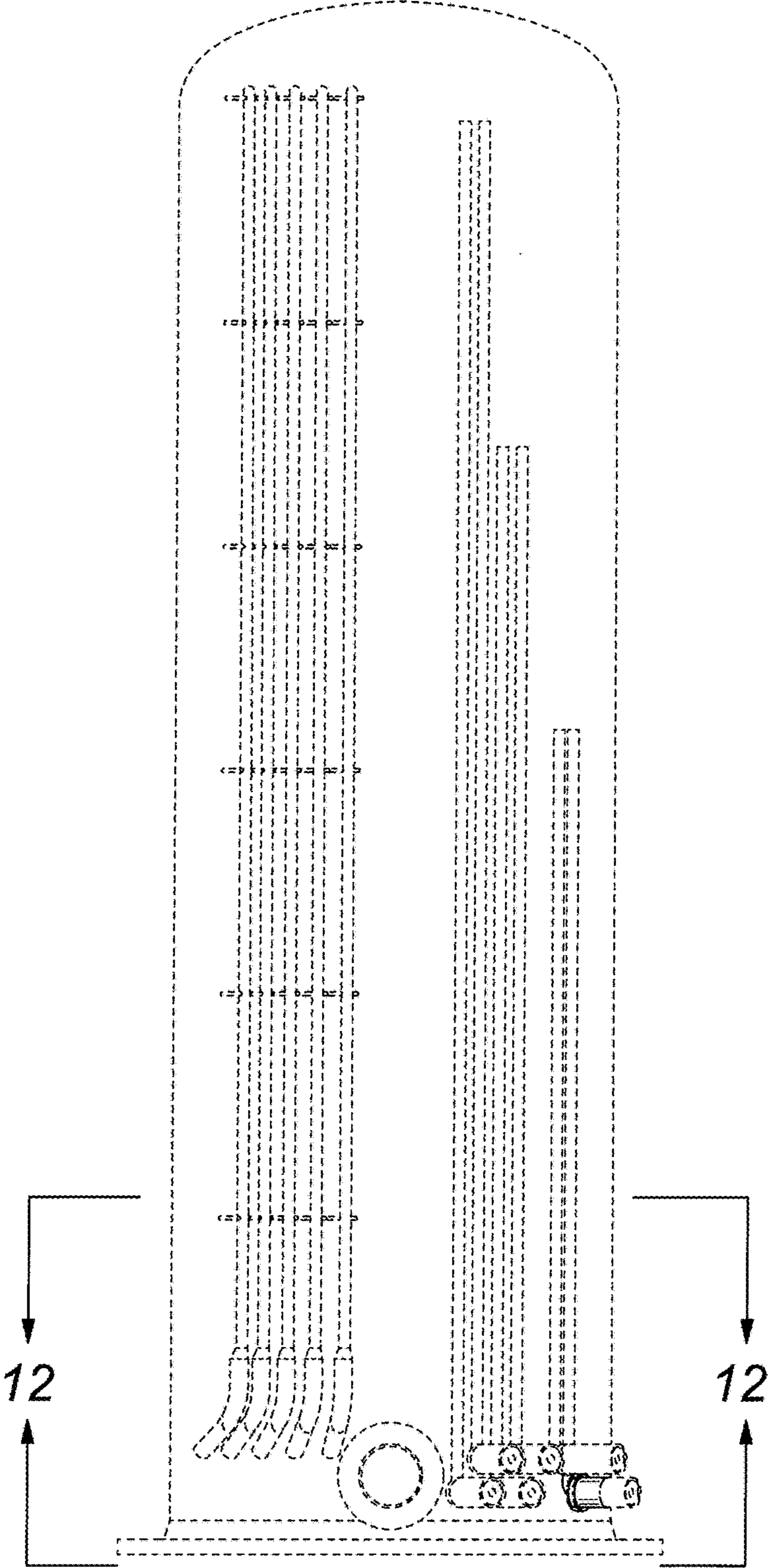


FIG. 5

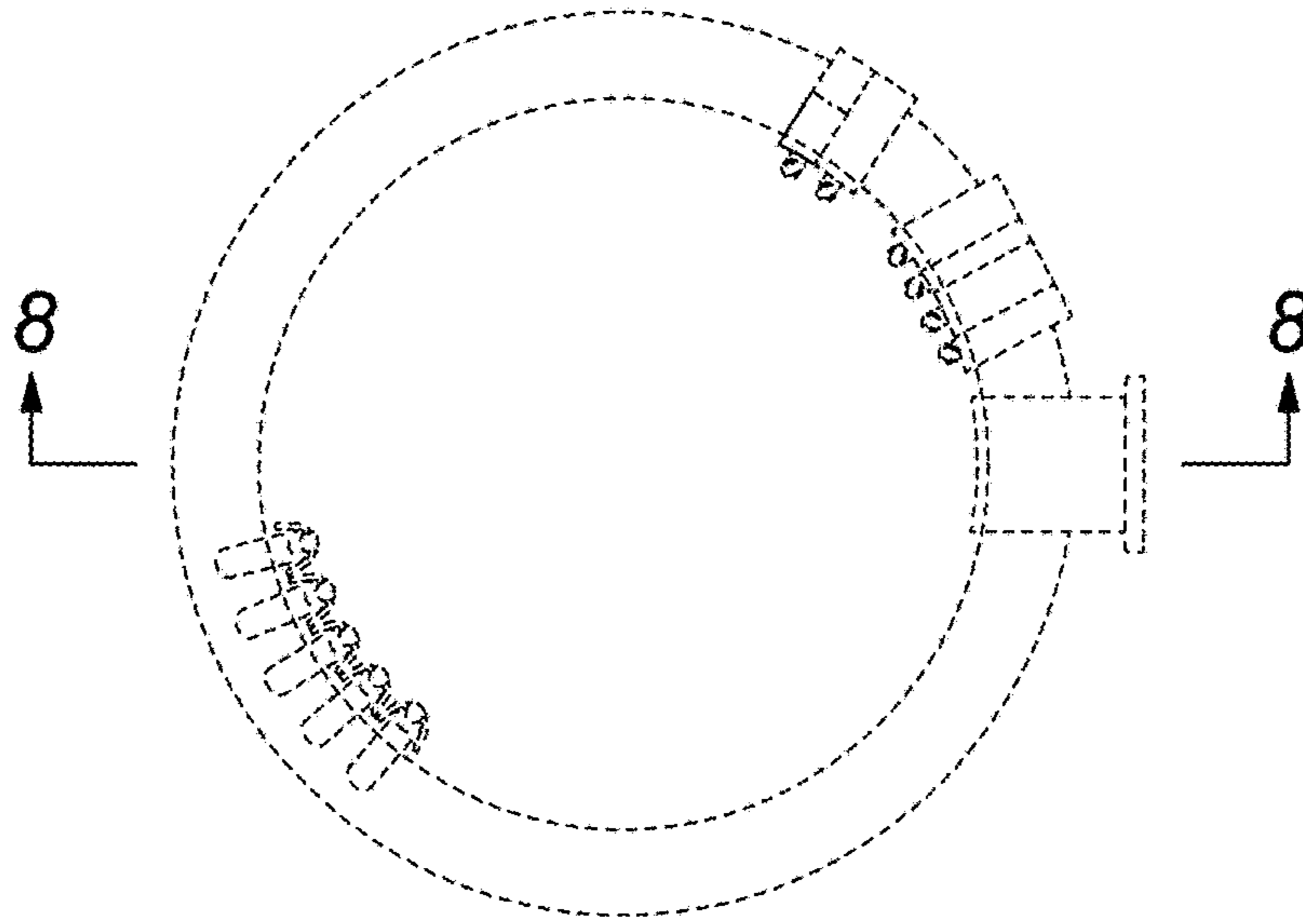


FIG. 6

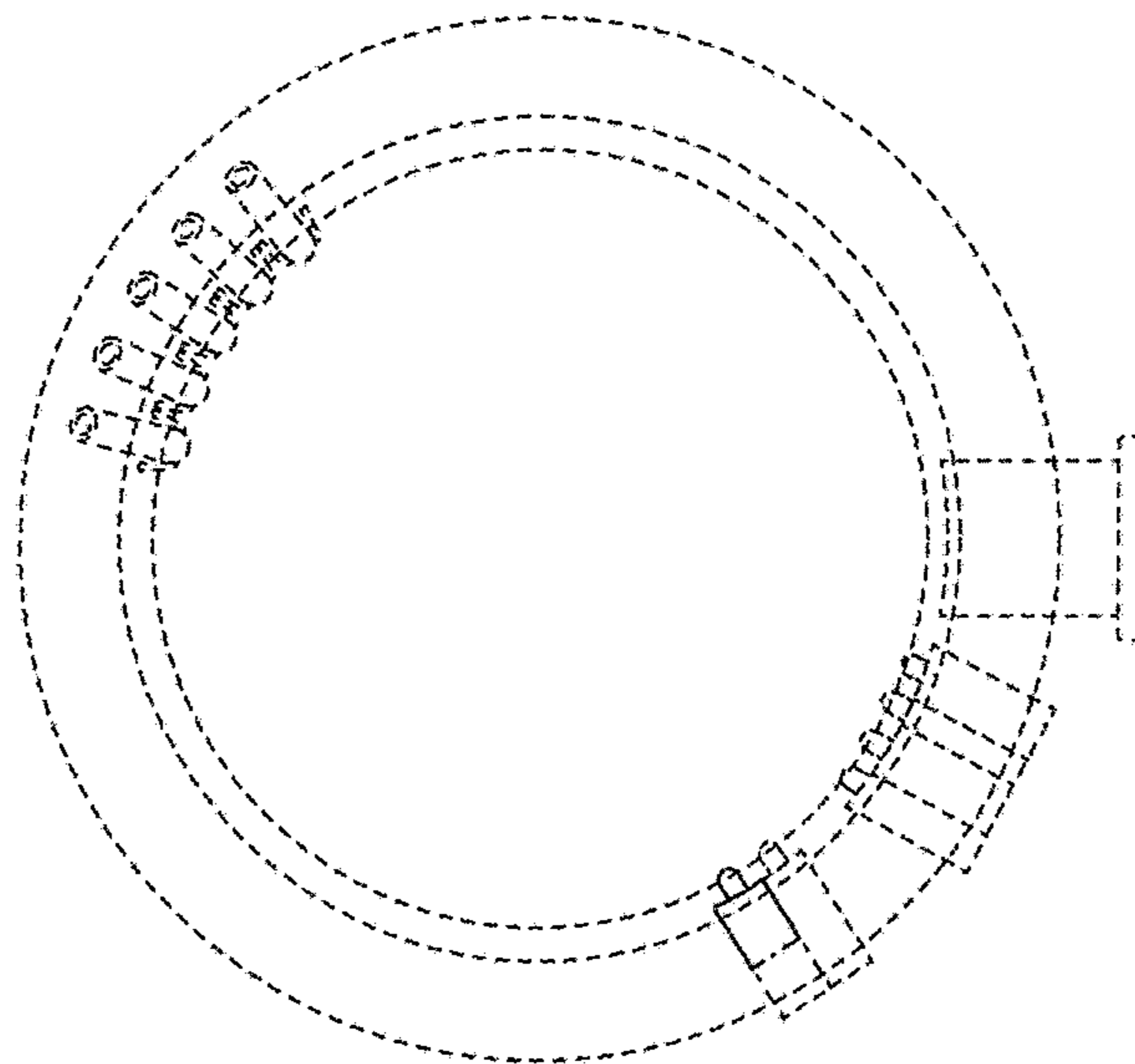


FIG. 7



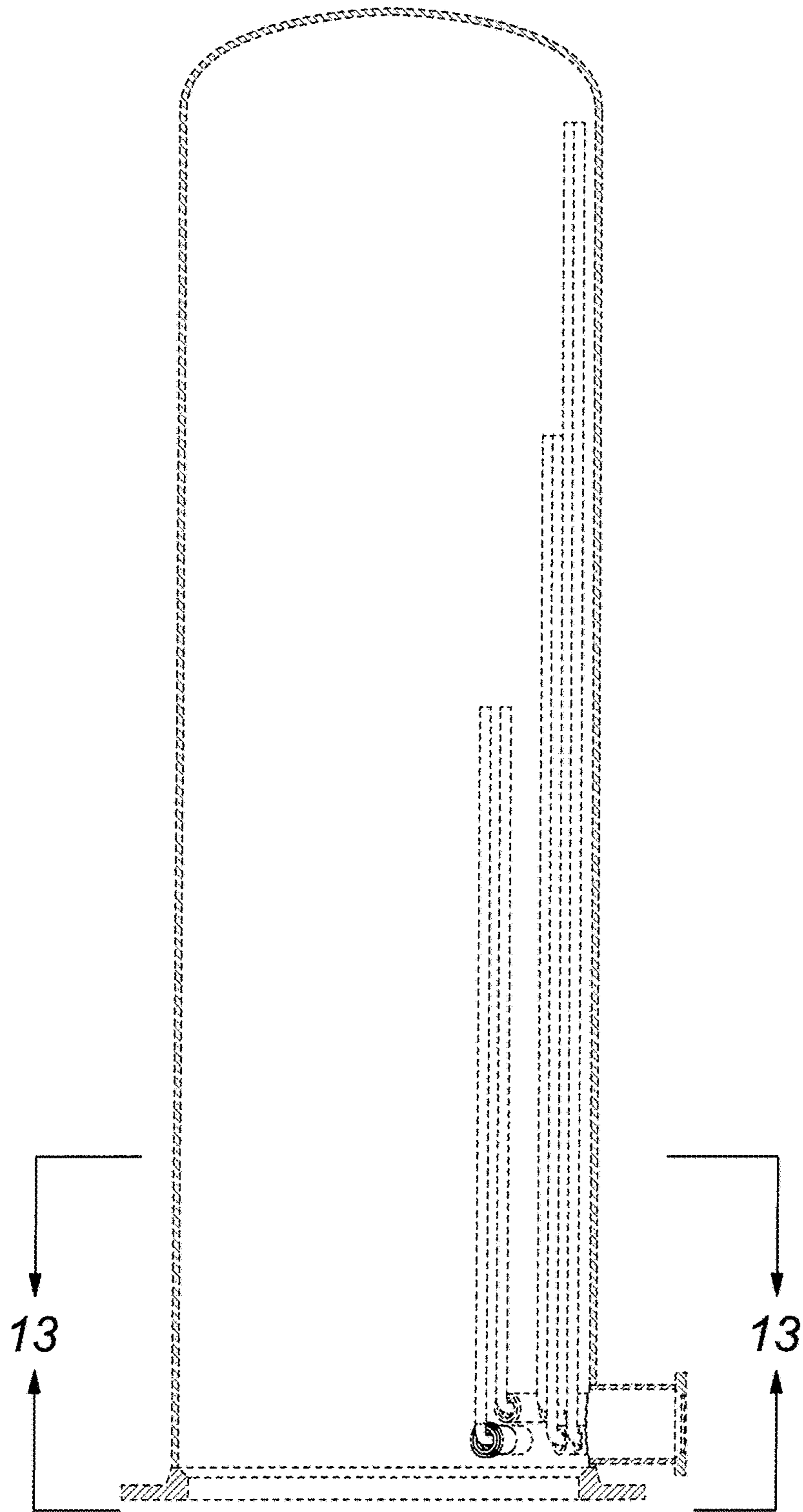


FIG. 8

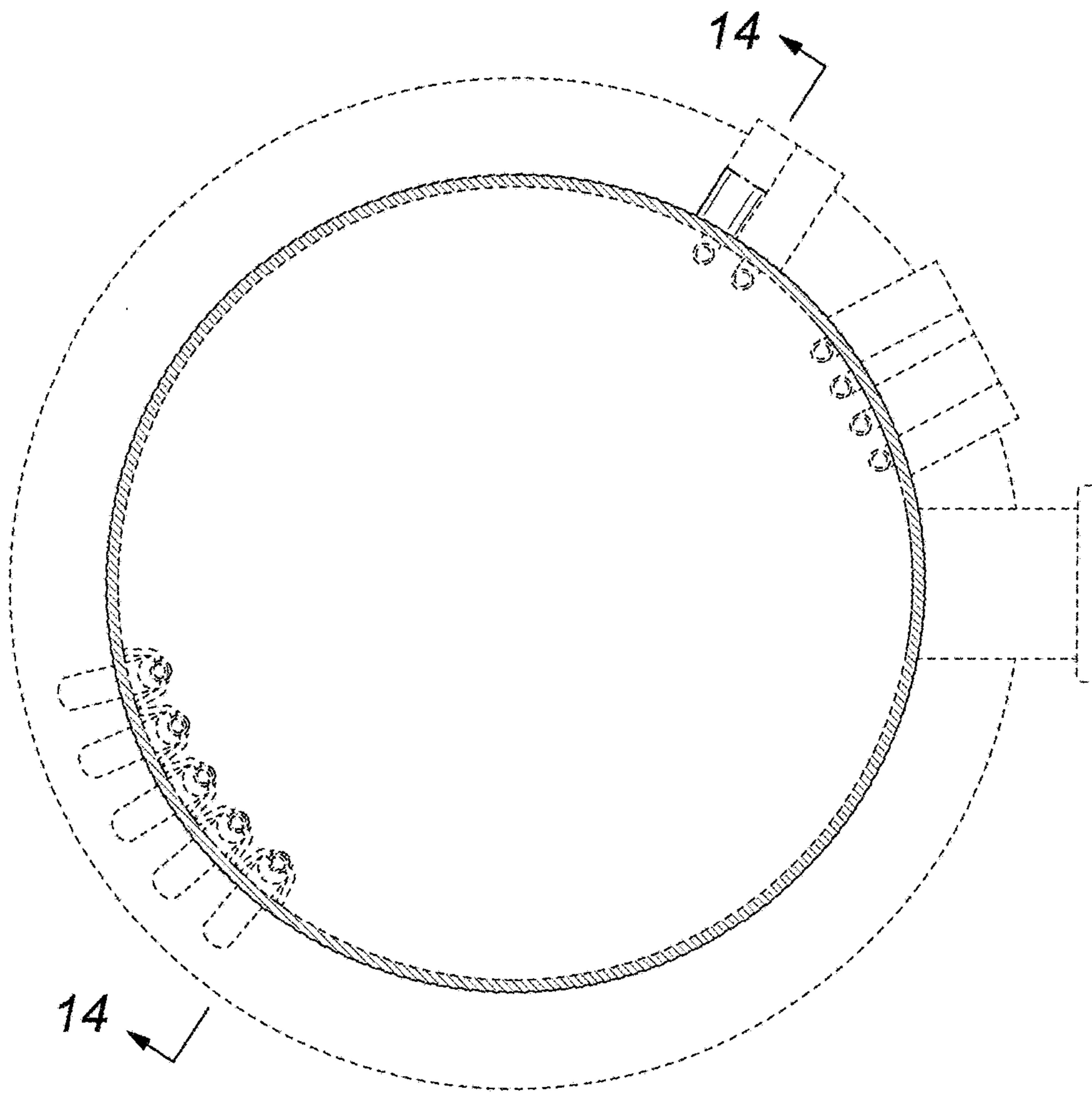


FIG. 9

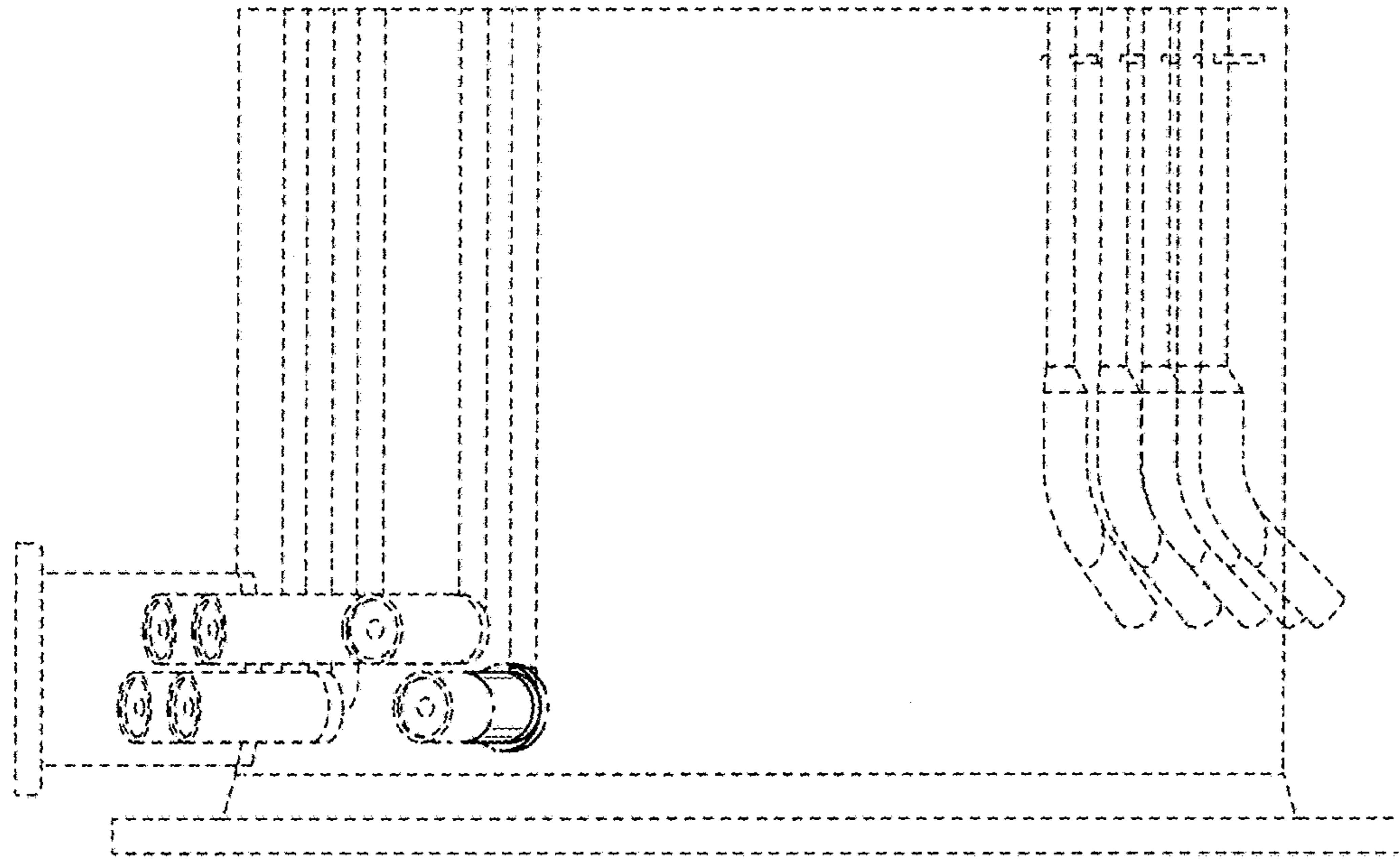


FIG. 10

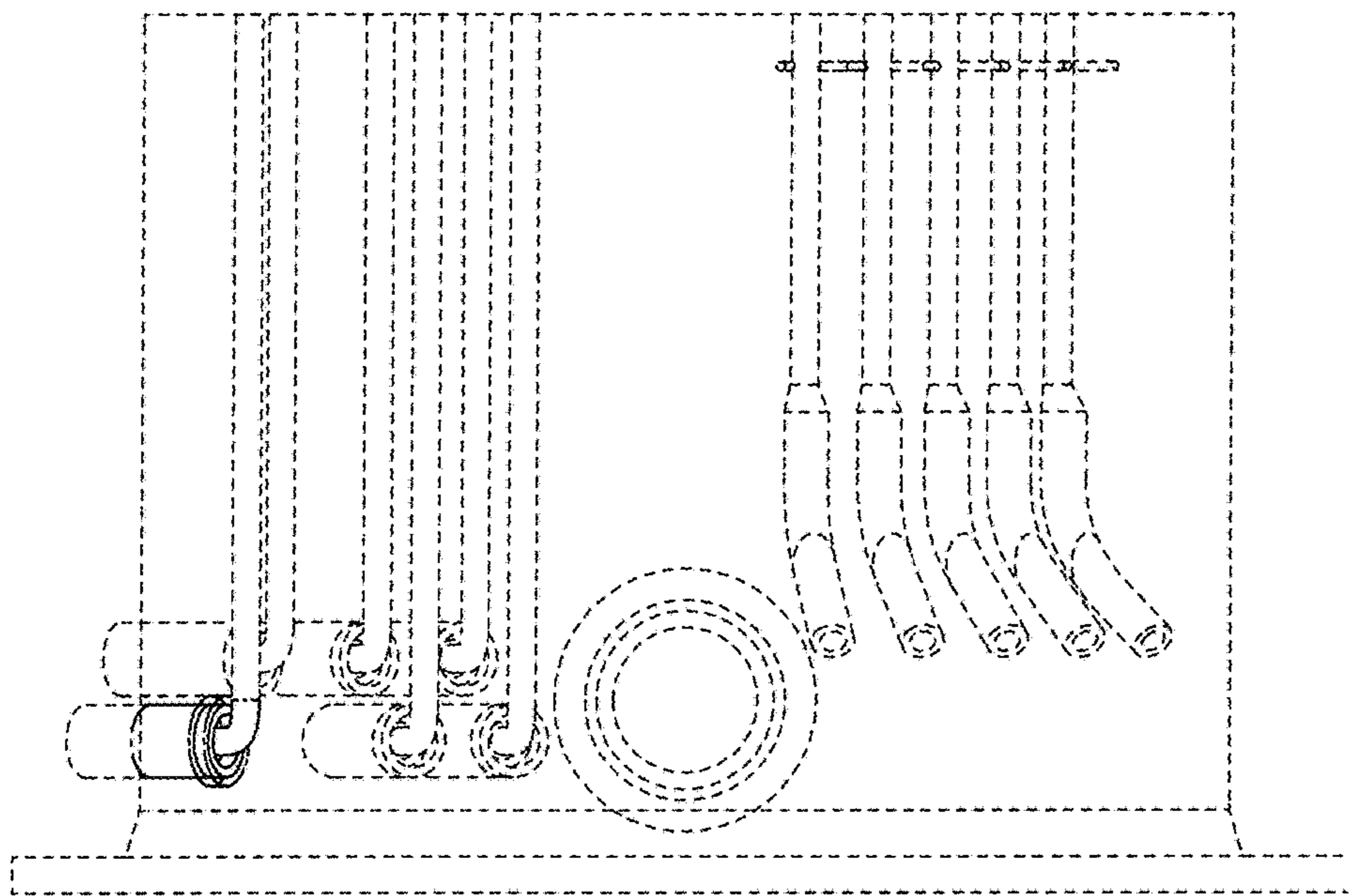


FIG. 11

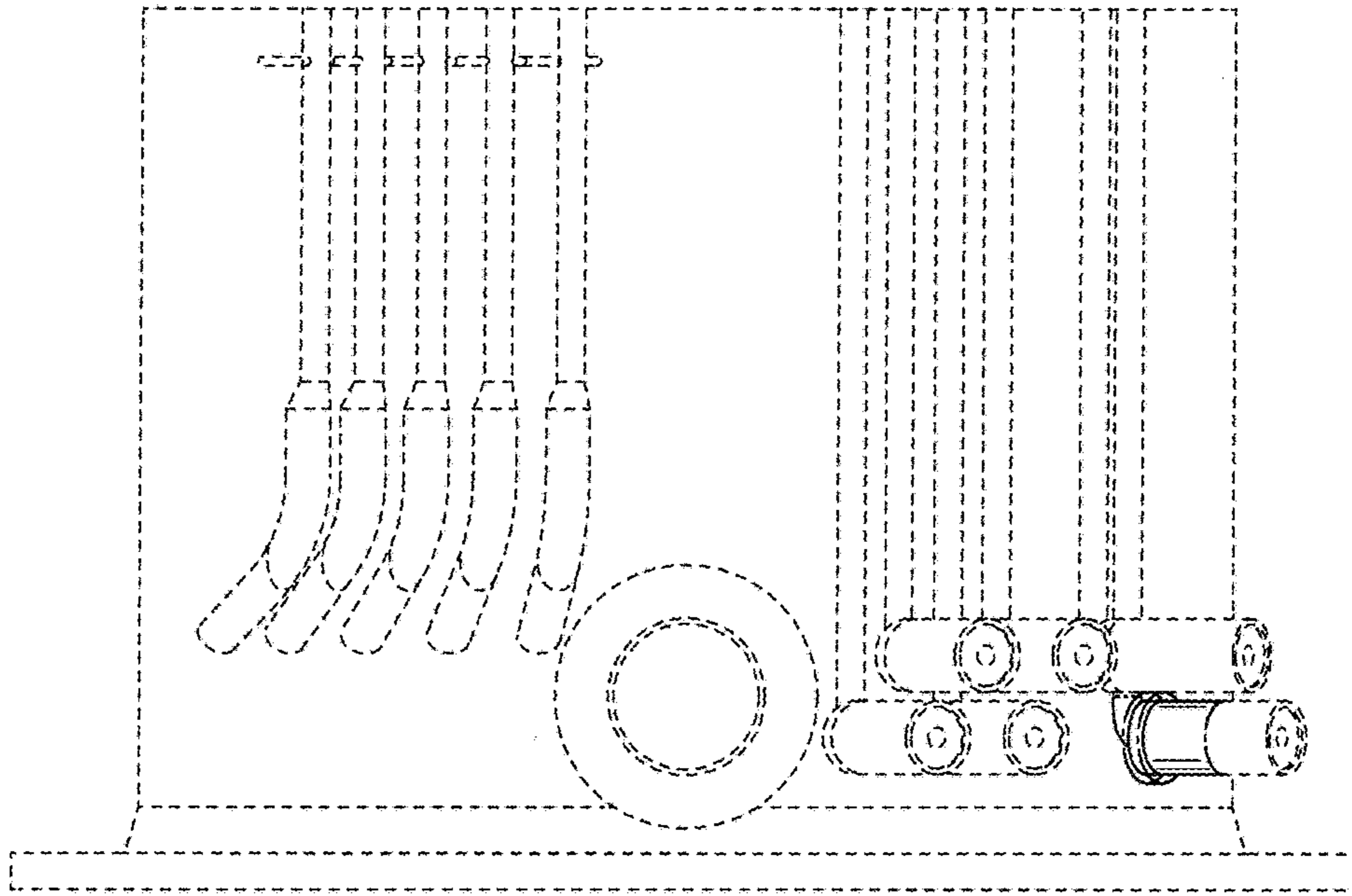


FIG. 12

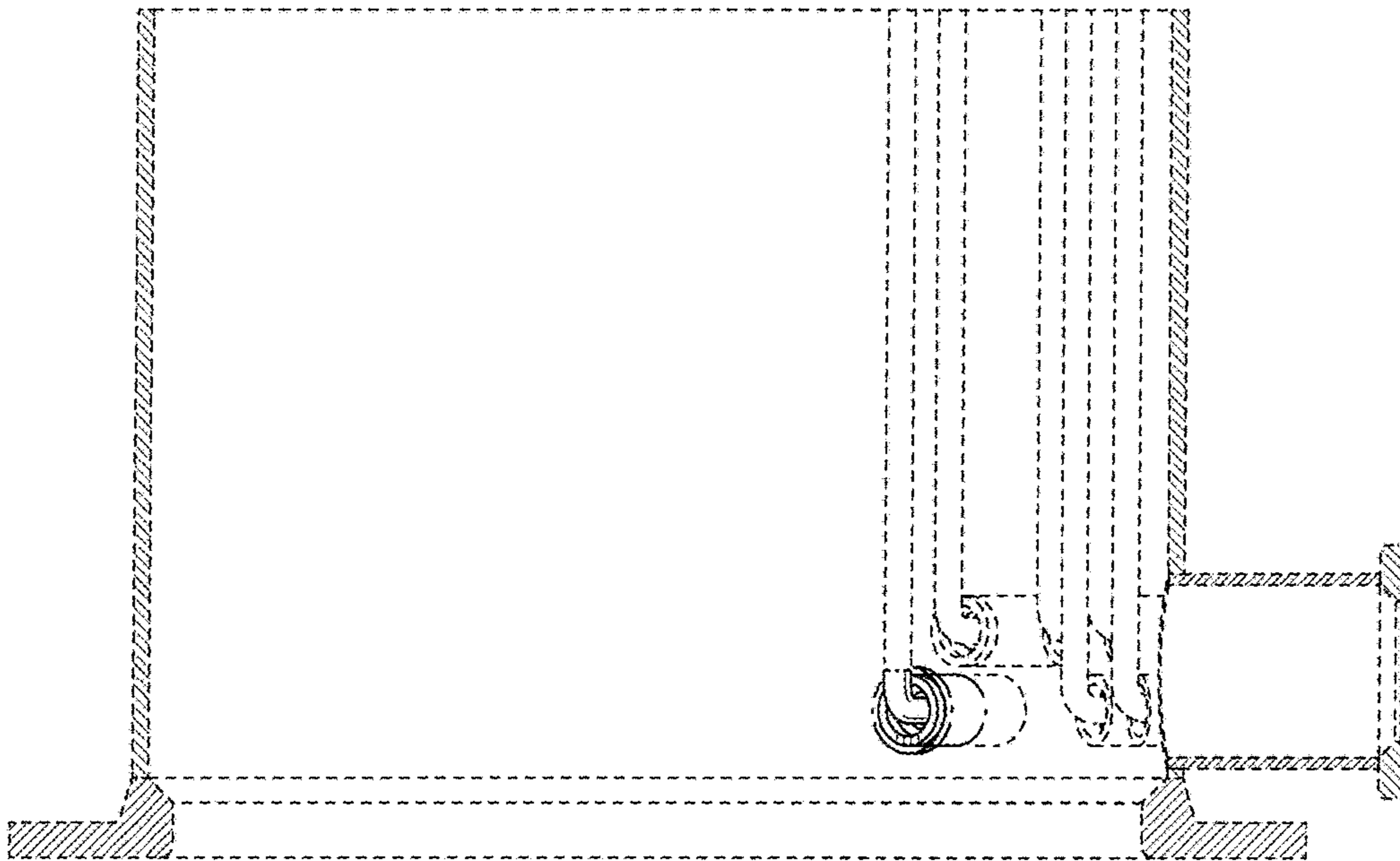


FIG. 13

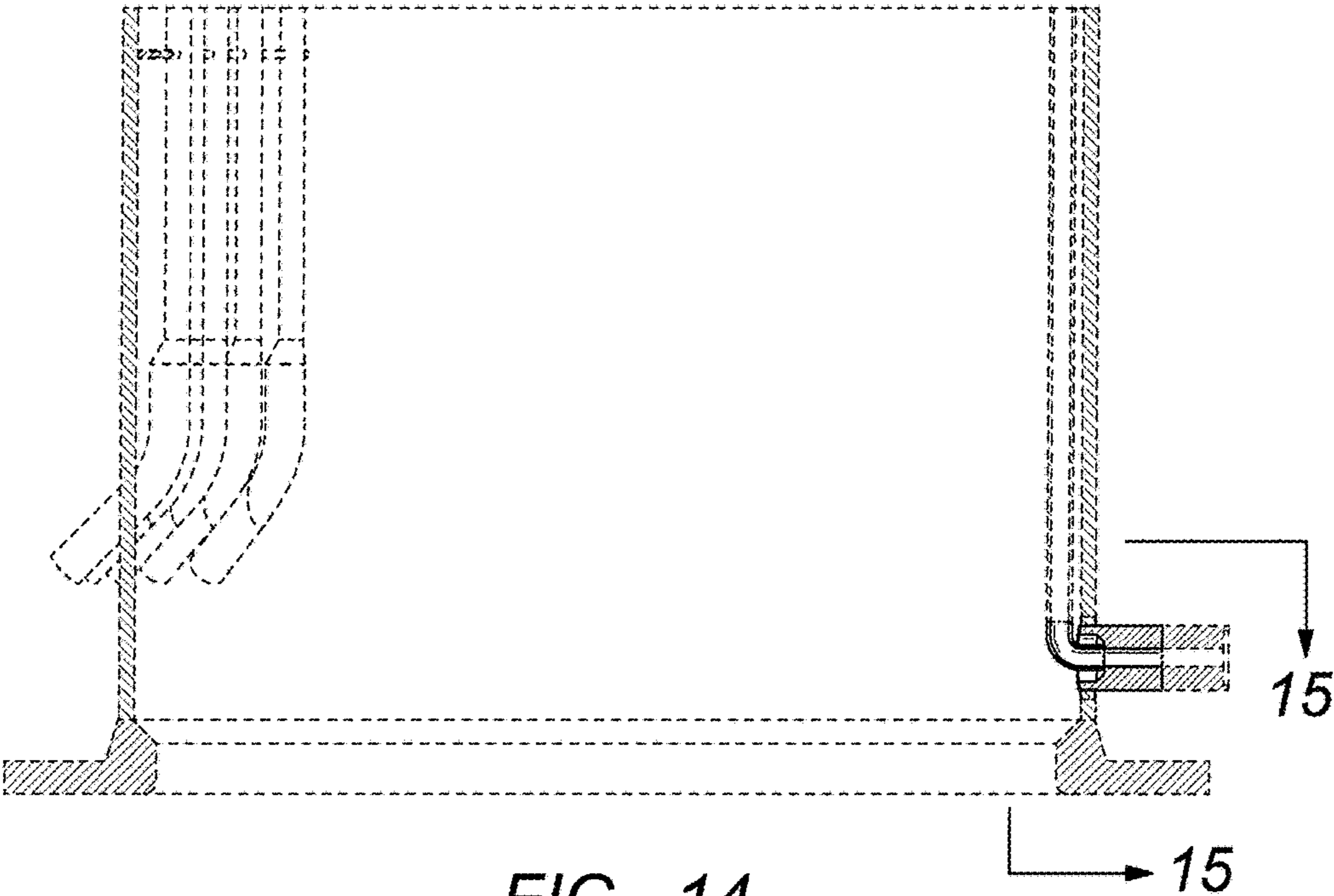


FIG. 14

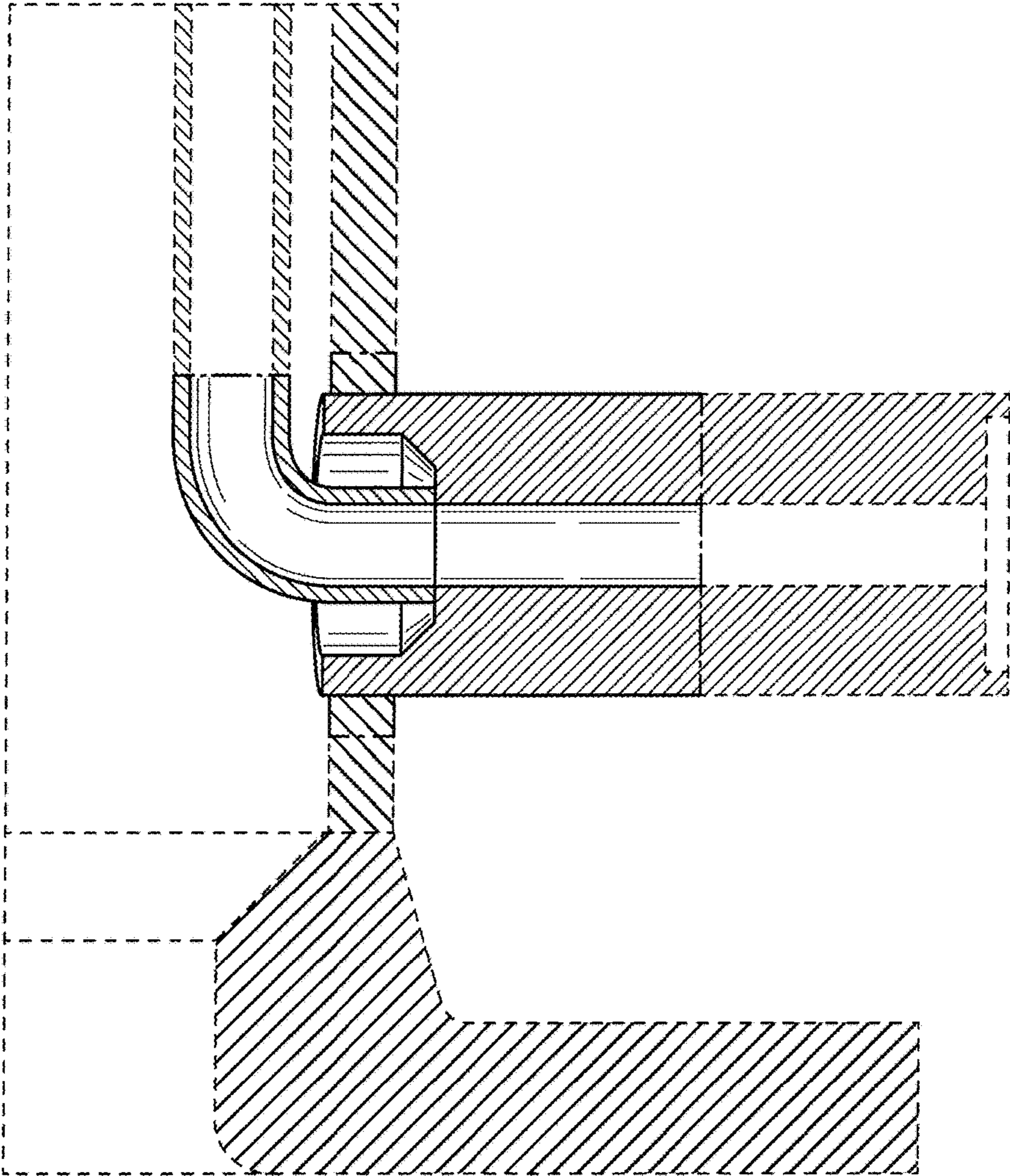


FIG. 15