



US00D778455S

(12) **United States Design Patent**
Liang

(10) **Patent No.:** **US D778,455 S**

(45) **Date of Patent:** **** Feb. 7, 2017**

(54) **COOLING PAD HOLDER**

(71) Applicants: **Global Healthcare SG Pte Ltd,**
Singapore (SG); **Singapore Health Services Pte Ltd,** Singapore (SG)

(72) Inventor: **Cheng Keng Liang,** Singapore (SG)

(73) Assignees: **GLOBAL HEALTHCARE SG PTE LTD,** Singapore (SG); **SINGAPORE HEALTH SERVICES PTE LTD,** Singapore (SG)

(**) Term: **14 Years**

(21) Appl. No.: **29/518,340**

(22) Filed: **Feb. 23, 2015**

(30) **Foreign Application Priority Data**

Aug. 22, 2014 (WO) DM/084 334

(51) **LOC (10) Cl.** **24-07**

(52) **U.S. Cl.**
USPC **D24/208; D24/207**

(58) **Field of Classification Search**
USPC D24/206–208, 190; 604/113; 383/901
CPC A61F 7/00; A61F 7/02; A61F 7/0241;
A61F 7/10; A61F 7/103; A61F 2007/0001; A61F 2007/0022; A61F 2007/0023; A61F 2007/0024; A61F 2007/0025; A61F 2007/0026; A61F 2007/0027; A61F 2007/003; A61F 2007/0039; A61F 2007/0041; A61F 2007/0042; A61F 2007/023; A61F 2007/0268; A61F 2007/0269; A61F 2007/0271

See application file for complete search history.

(56) **References Cited**

U.S. PATENT DOCUMENTS

4,899,749 A *	2/1990	Laroco	A61F 2007/0001 383/901
4,976,262 A *	12/1990	Palmacci	A61F 7/10 383/901
6,936,018 B2 *	8/2005	Chalek	A61F 7/02 128/876
D539,912 S *	4/2007	Jacobs	D24/206
D667,130 S *	9/2012	Baker	D24/207

* cited by examiner

Primary Examiner — Wan Laymon

(74) *Attorney, Agent, or Firm* — Carter, DeLuca, Farrell & Schmidt, LLP

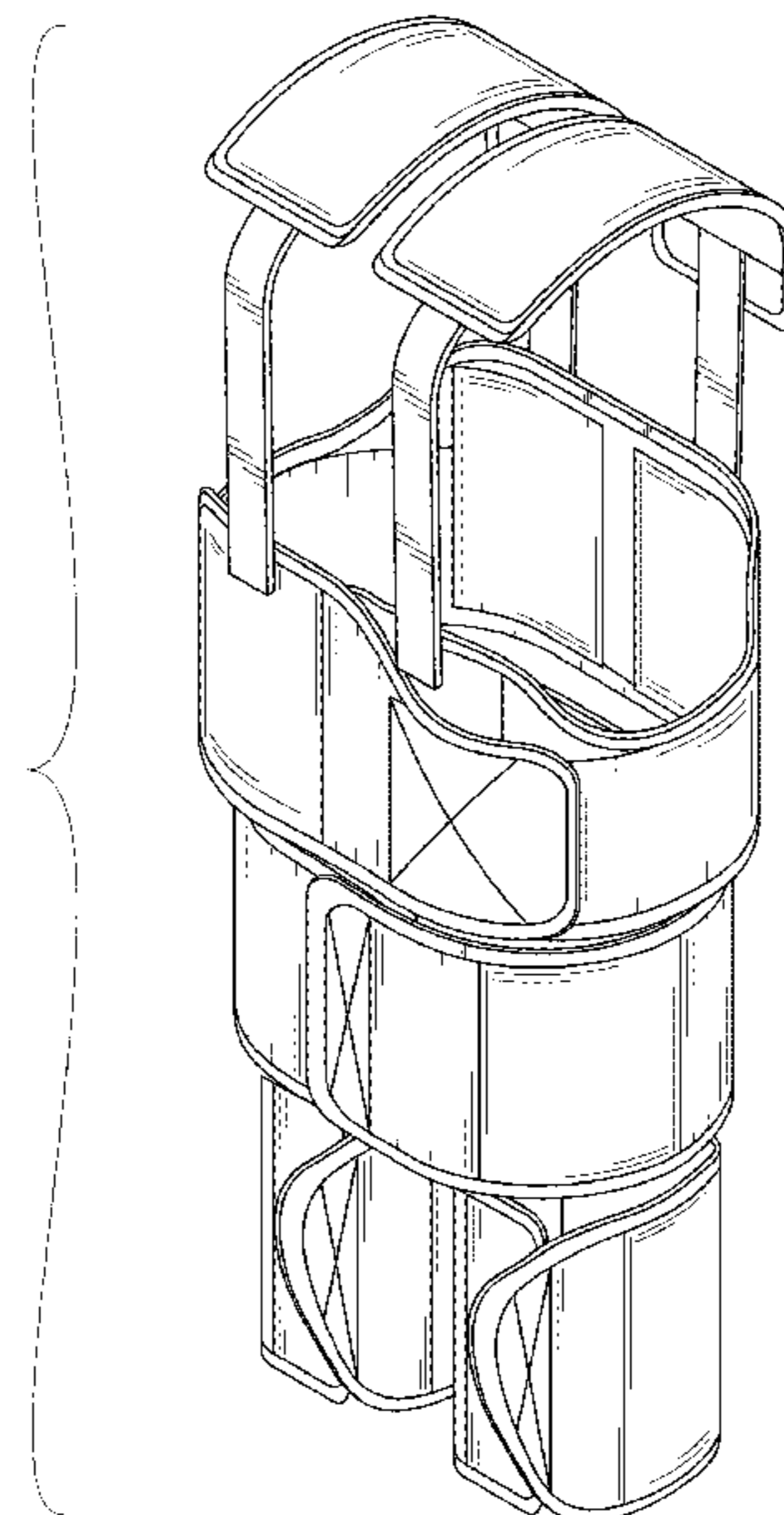
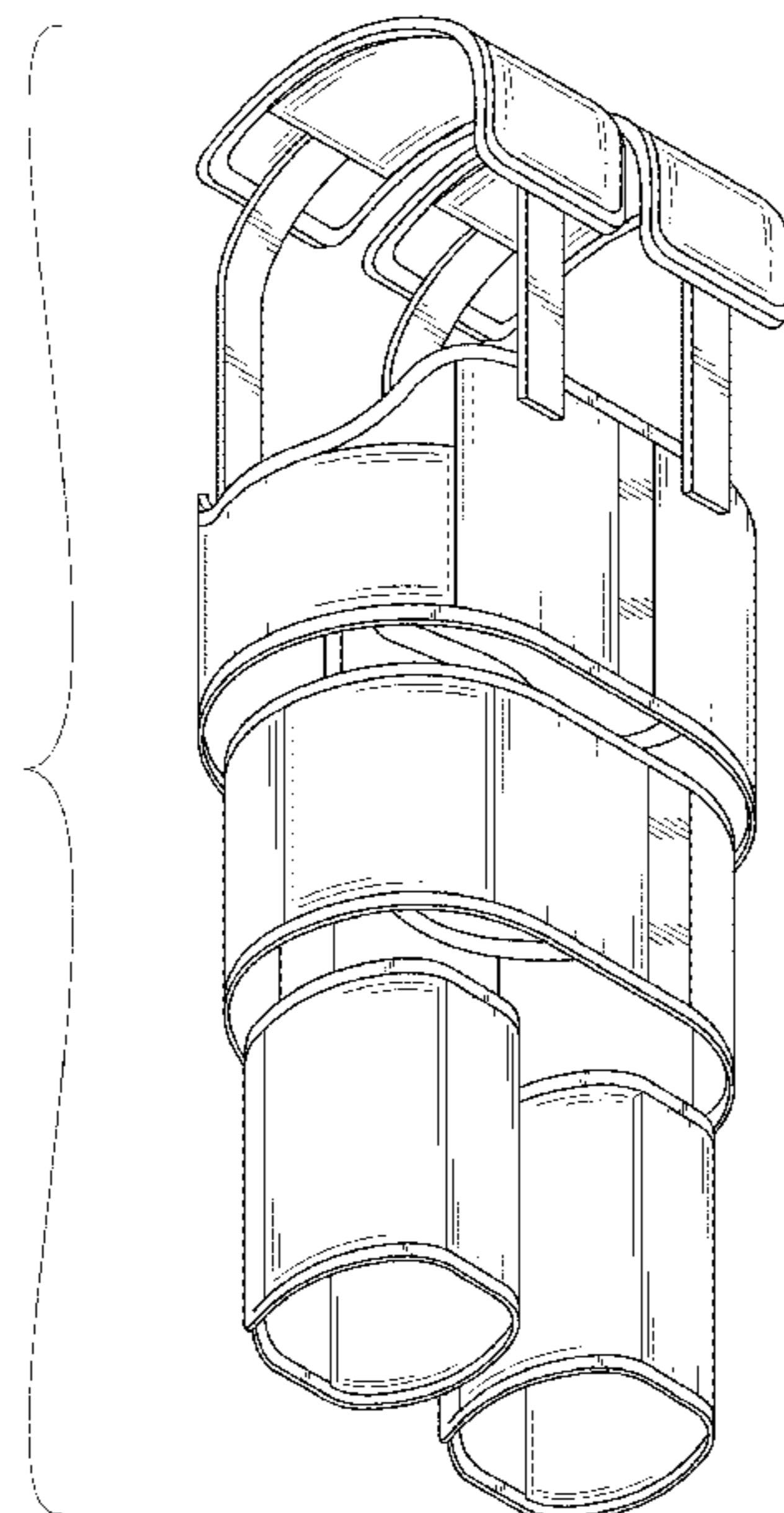
(57) **CLAIM**

The ornamental design for cooling pad holder, as shown and described.

DESCRIPTION

FIG. 1 is a bottom left perspective view of a cooling pad holder in accordance with the present design; FIG. 2 is a top right perspective view thereof; FIG. 3 is a top front perspective view thereof; FIG. 4 is a front elevational view thereof; FIG. 5 is a rear elevational view thereof; FIG. 6 is a right side elevational view thereof; FIG. 7 is a left side elevational view thereof; FIG. 8 is a top plan view thereof; FIG. 9 is a bottom plan view thereof; FIG. 10 is a front elevational view thereof in a flat out position; and, FIG. 11 is a rear elevational view thereof in a flat out position.

1 Claim, 11 Drawing Sheets



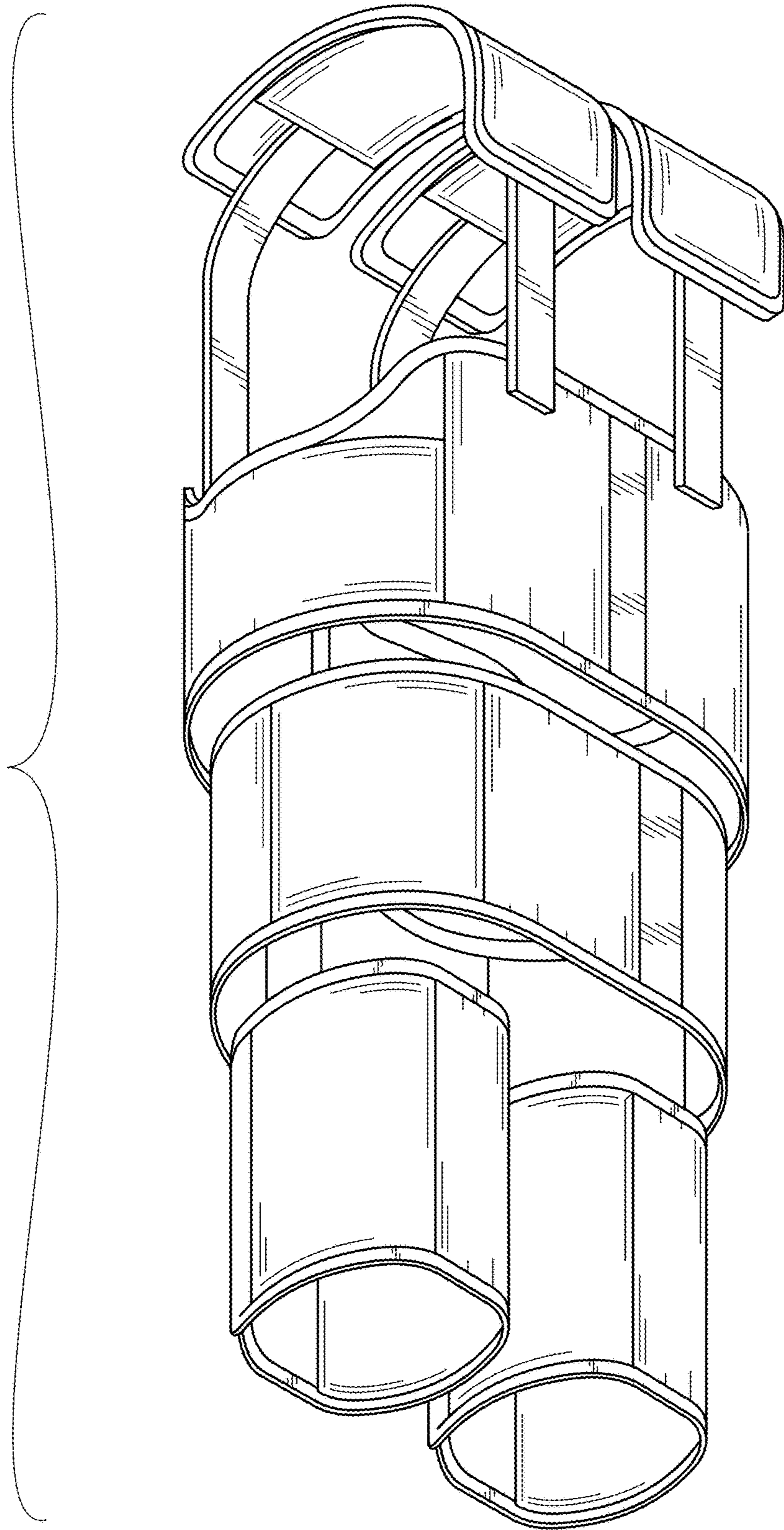


FIG. 1

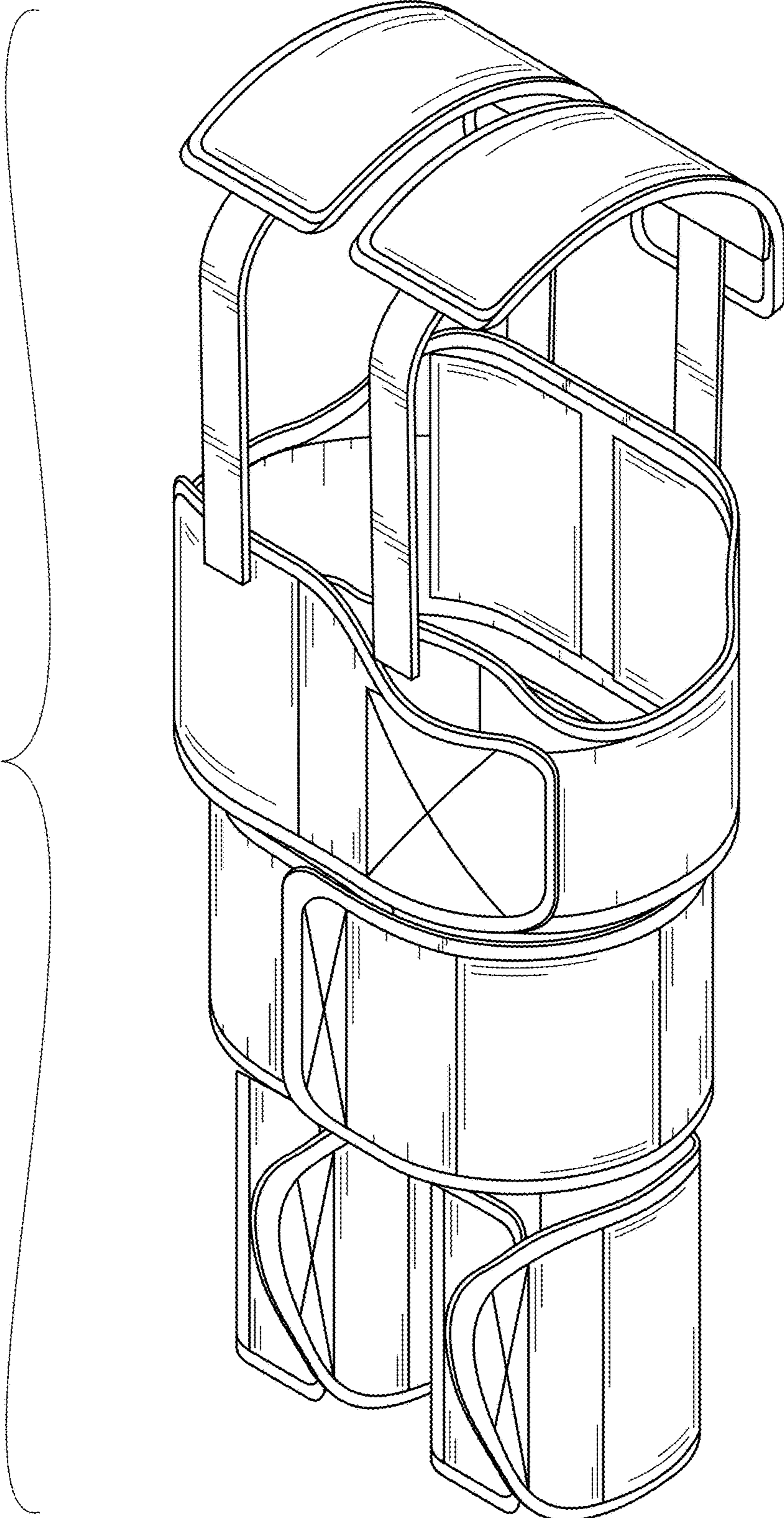


FIG. 2

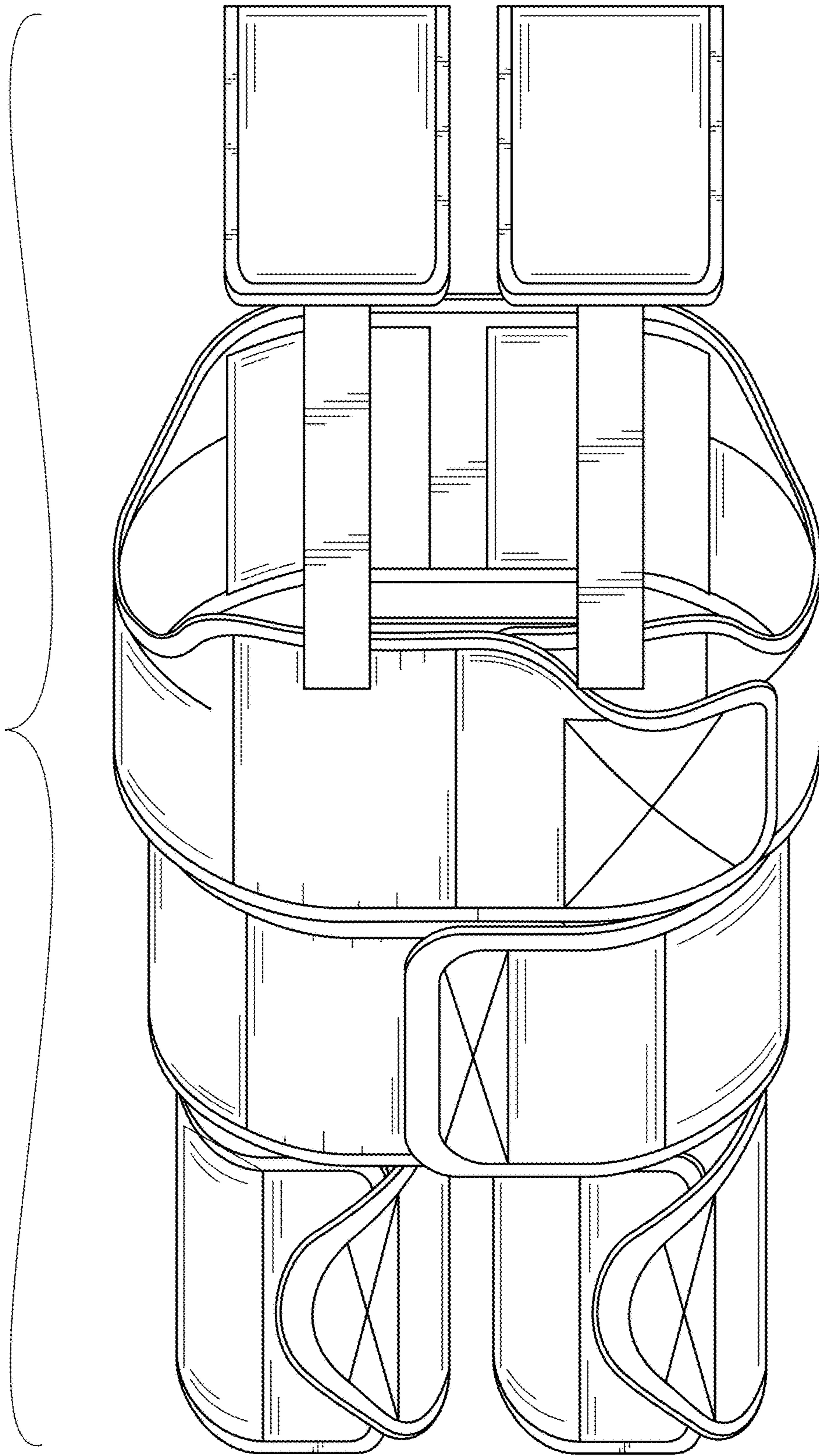


FIG. 3

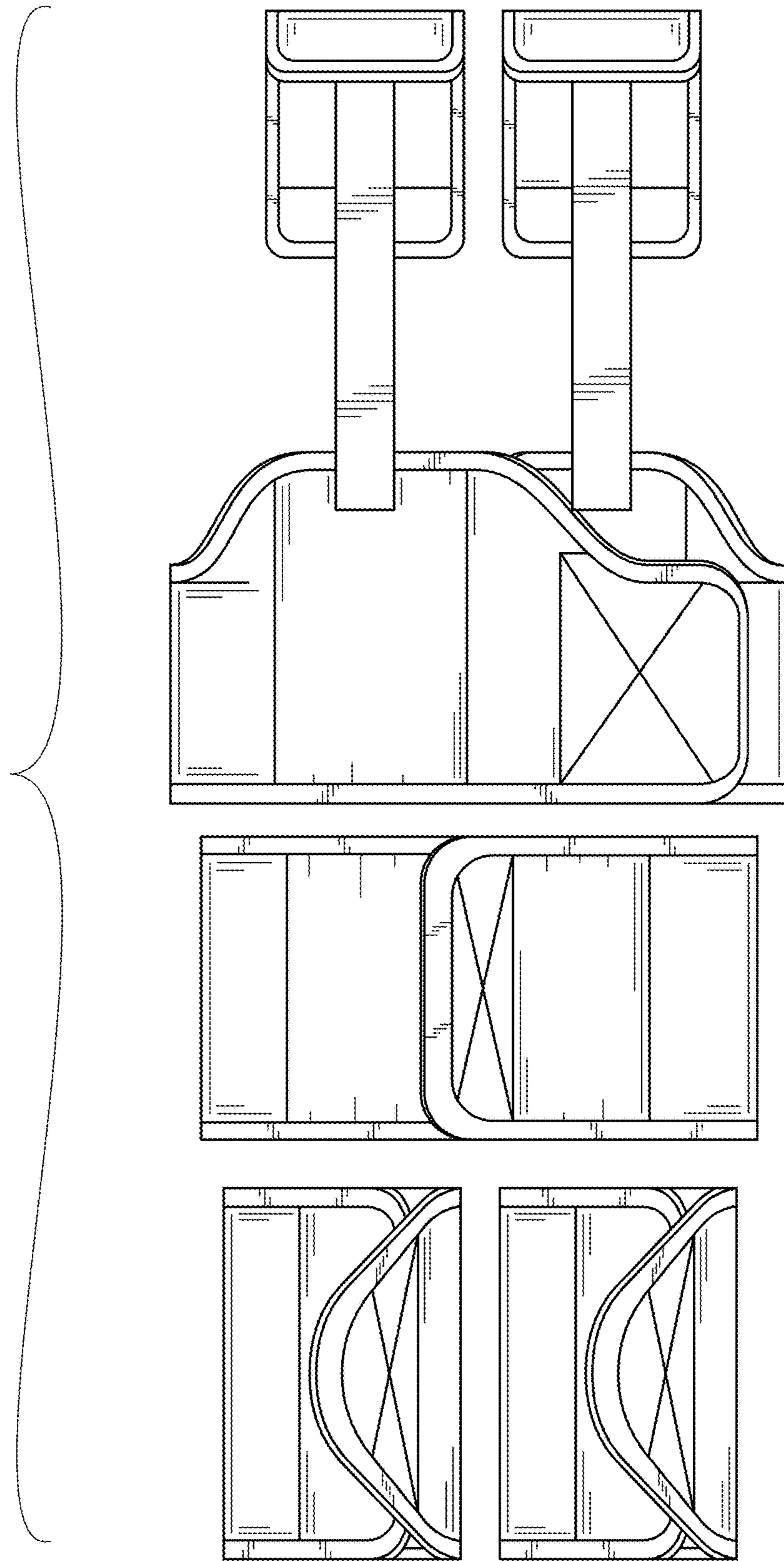


FIG. 4

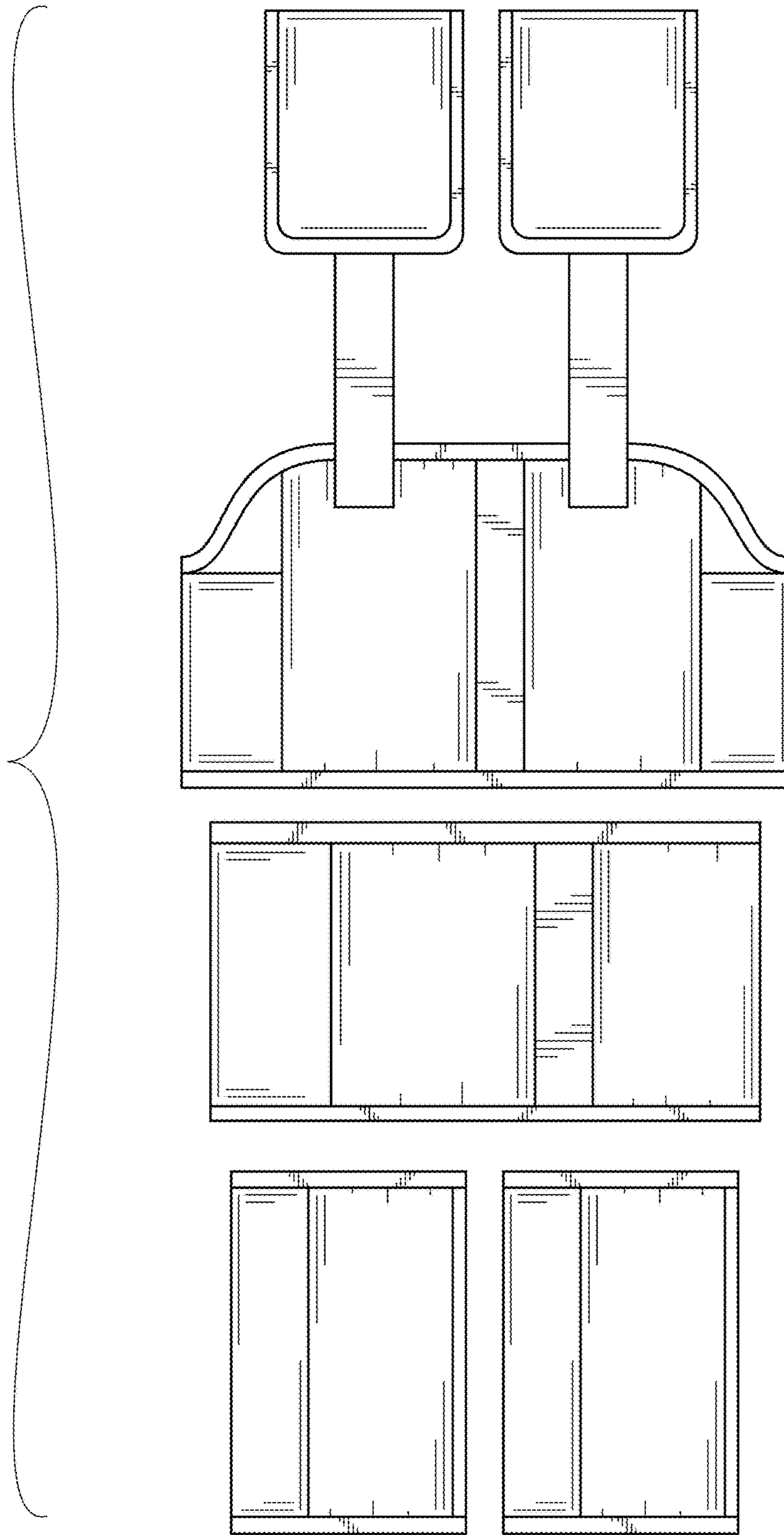


FIG. 5

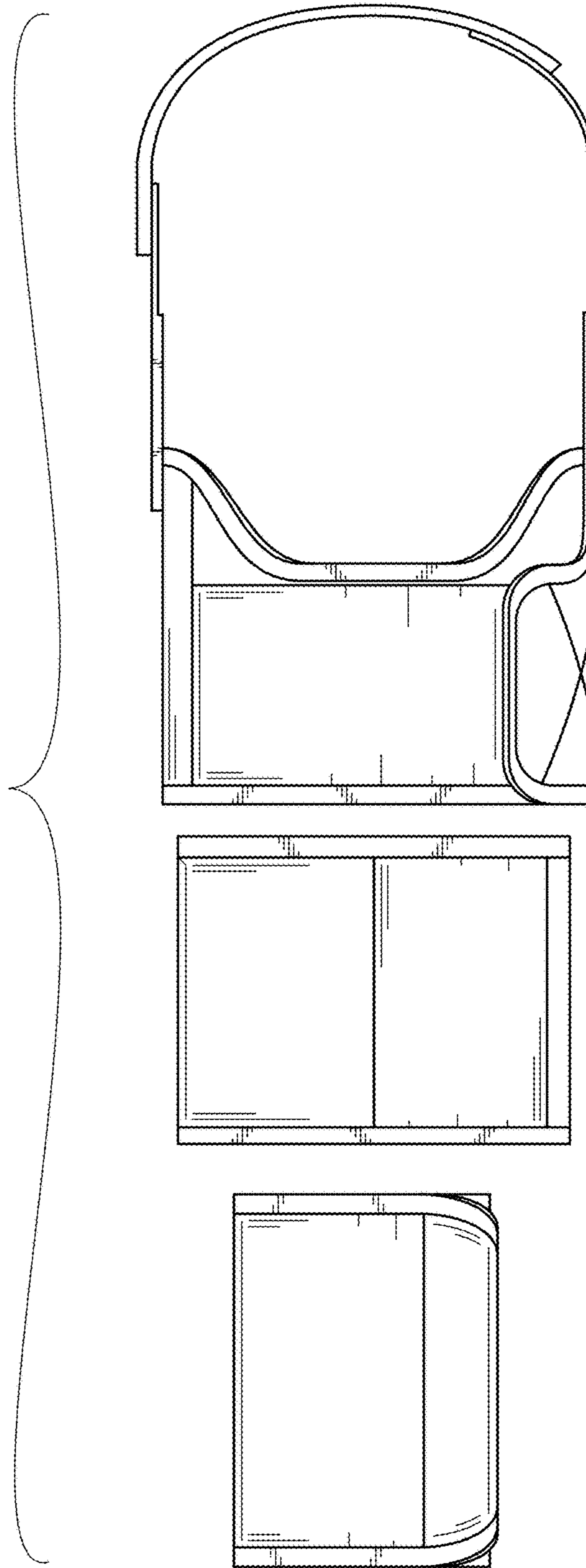


FIG. 6

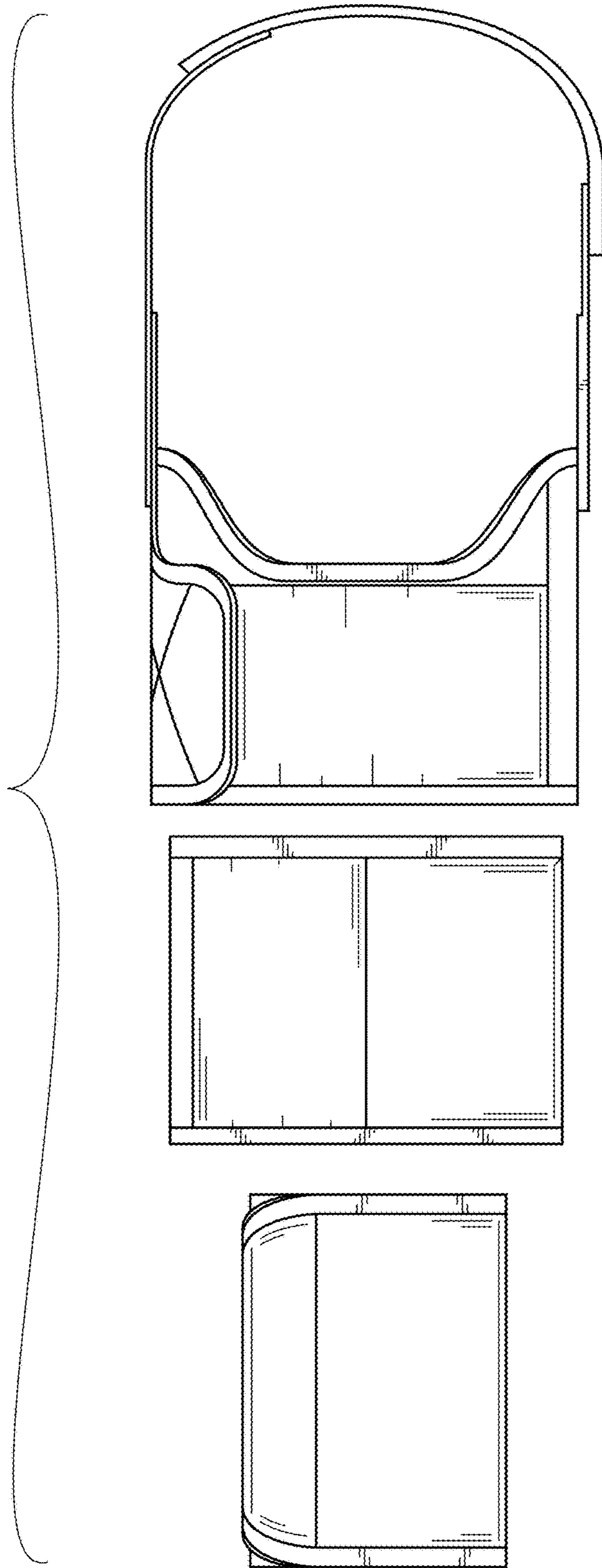


FIG. 7

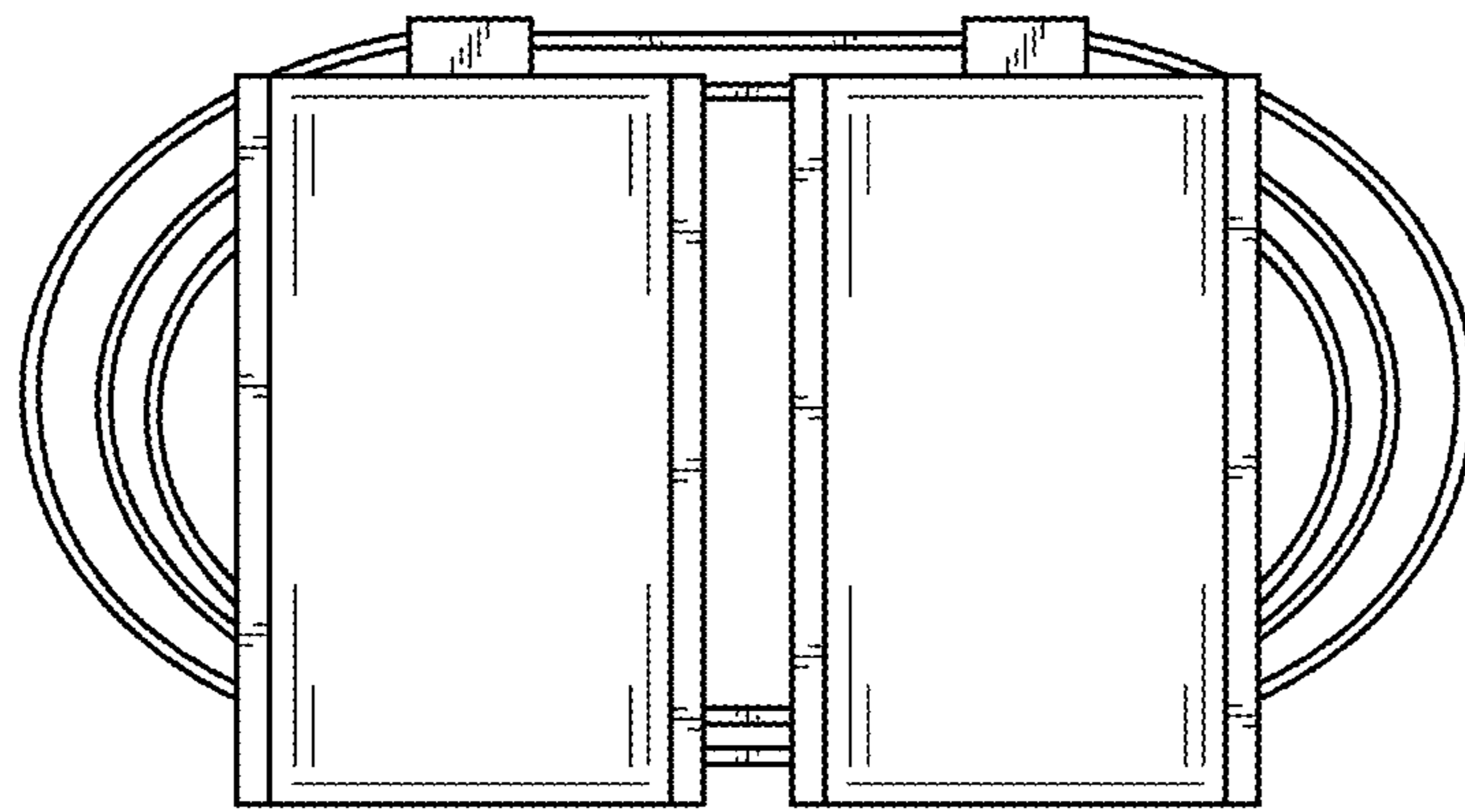


FIG. 8

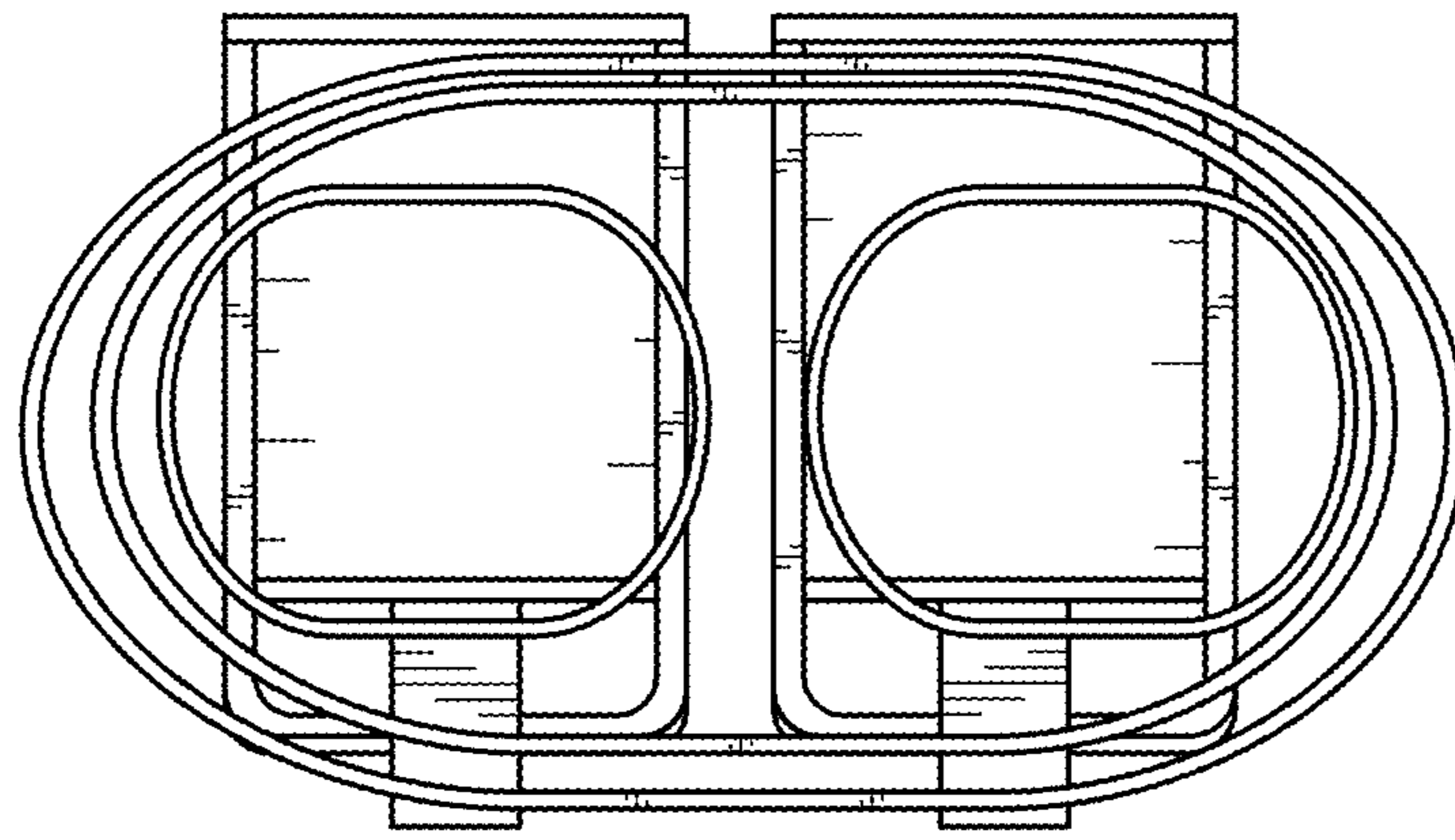


FIG. 9

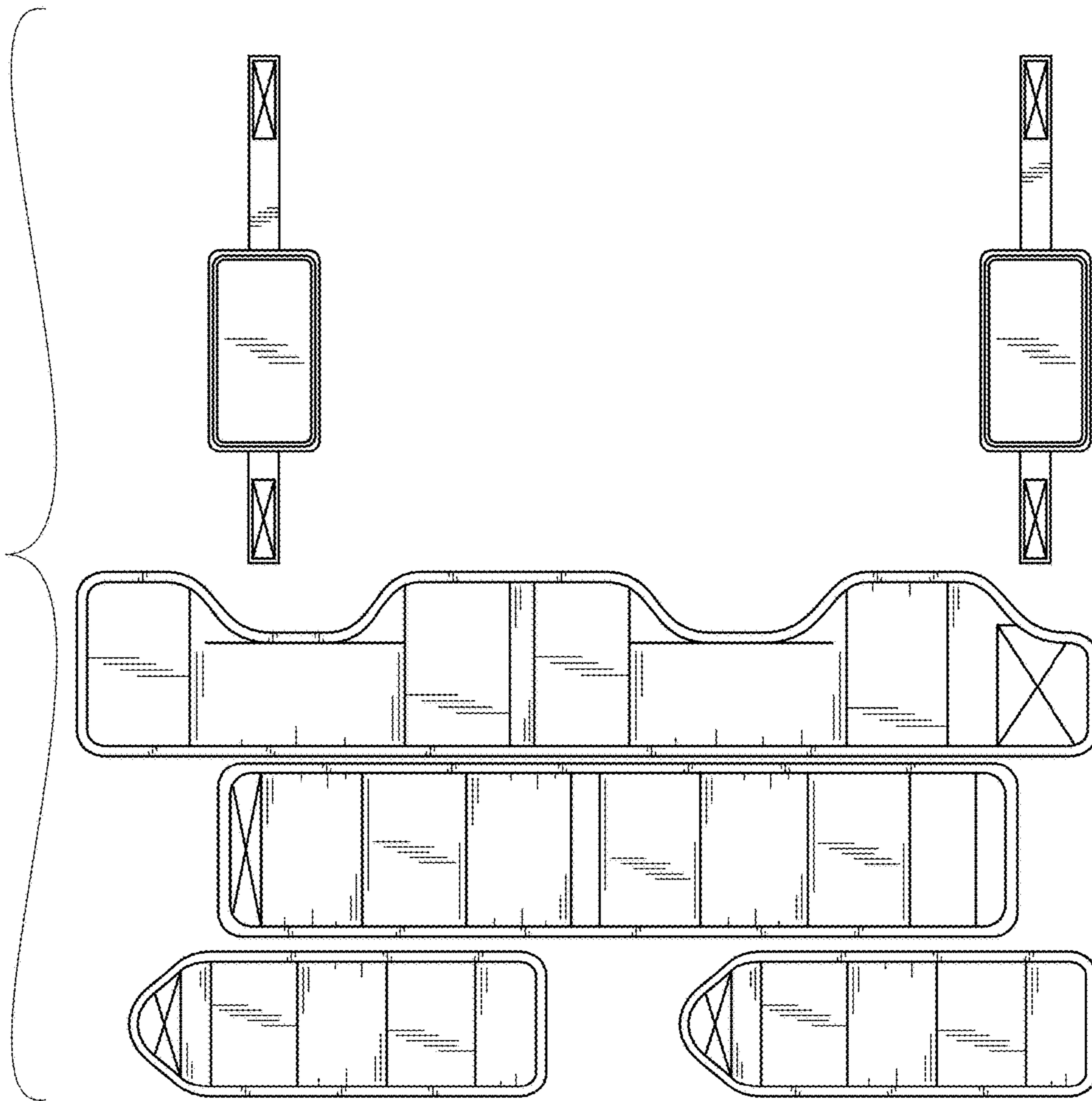


FIG. 10

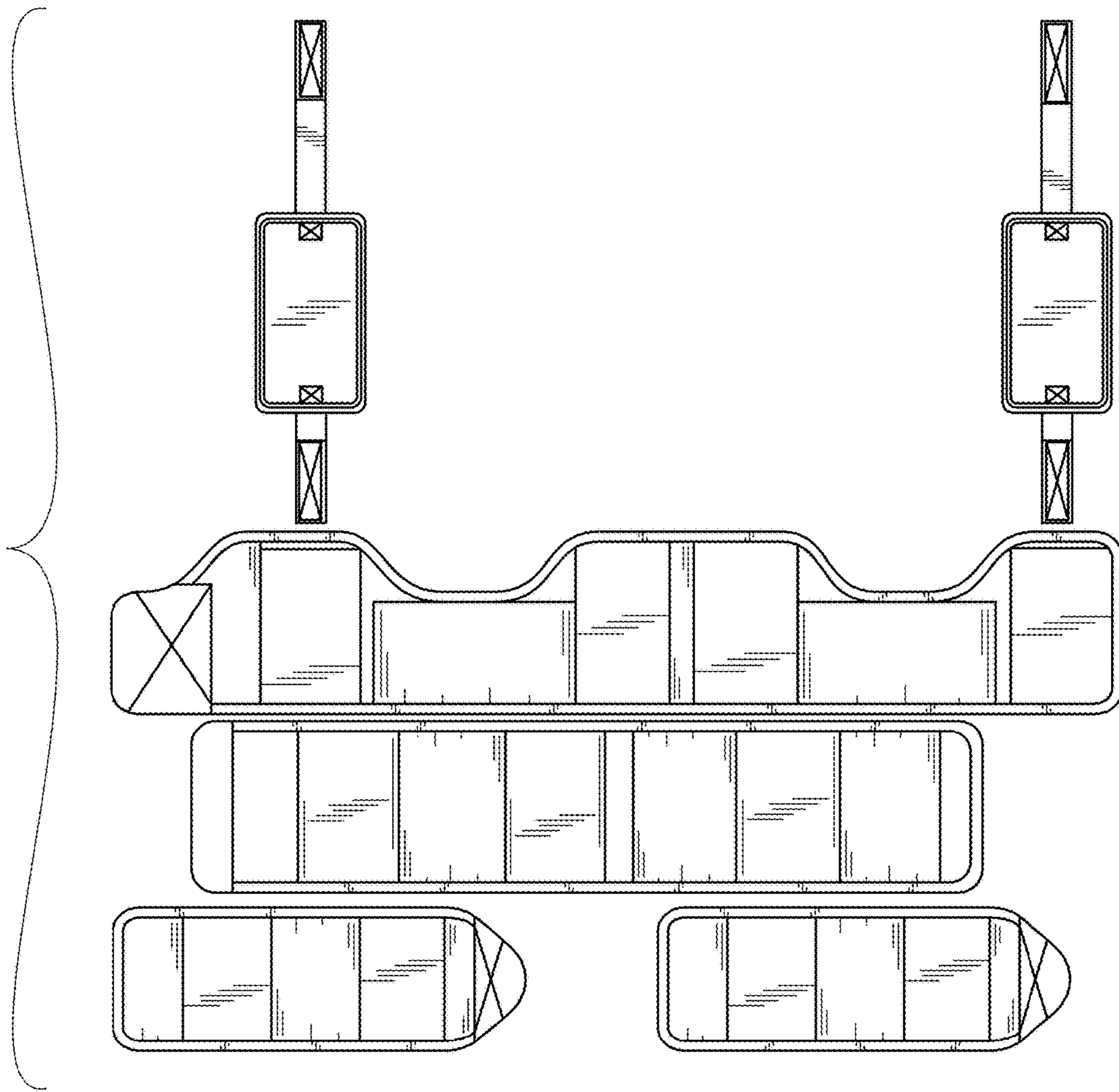


FIG. 11