



US00D778453S

(12) **United States Design Patent**
Knaus et al.

(10) **Patent No.:** **US D778,453 S**
(45) **Date of Patent:** **** Feb. 7, 2017**

(54) **CONTROLLER**

(71) Applicant: **Meditech International Inc.**, Toronto (CA)

(72) Inventors: **Alexander L. Knaus**, Richmond Hill (CA); **Eli Hacco**, Toronto (CA)

(73) Assignee: **Meditech International Inc.**, Toronto (CA)

(**) Term: **14 Years**

(21) Appl. No.: **29/523,173**

(22) Filed: **Apr. 7, 2015**

(51) **LOC (10) Cl.** **24-04**

(52) **U.S. Cl.**
USPC **D24/200**

(58) **Field of Classification Search**
USPC D24/200, 214–215, 107, 169, 185–186;
D10/49, 78; D13/168, 173
CPC A61N 5/0616; A61N 2005/0644;
A61N 1/36021; A61N 1/36071; A61N
1/37247; A61N 5/0613; A61H 2201/00;
A61H 2205/00; A61H 2205/02; A61H
2205/022; A61H 2205/062; A61H
2205/065; A61H 2205/10; A61H 2205/06;
A61H 2205/12

See application file for complete search history.

(56) **References Cited**

U.S. PATENT DOCUMENTS

D350,206 S * 8/1994 Mochida D24/200
D498,302 S * 11/2004 Wade D24/200

7,668,598 B2 * 2/2010 Herregraven A61N 1/36021
607/1
D733,900 S * 7/2015 Hagege D24/200
D739,035 S * 9/2015 Tavidian D24/200
D756,526 S * 5/2016 Ho D24/200

* cited by examiner

Primary Examiner — Wan Laymon

(74) *Attorney, Agent, or Firm* — Blake, Cassels & Graydon LLP; Wilfred P. So

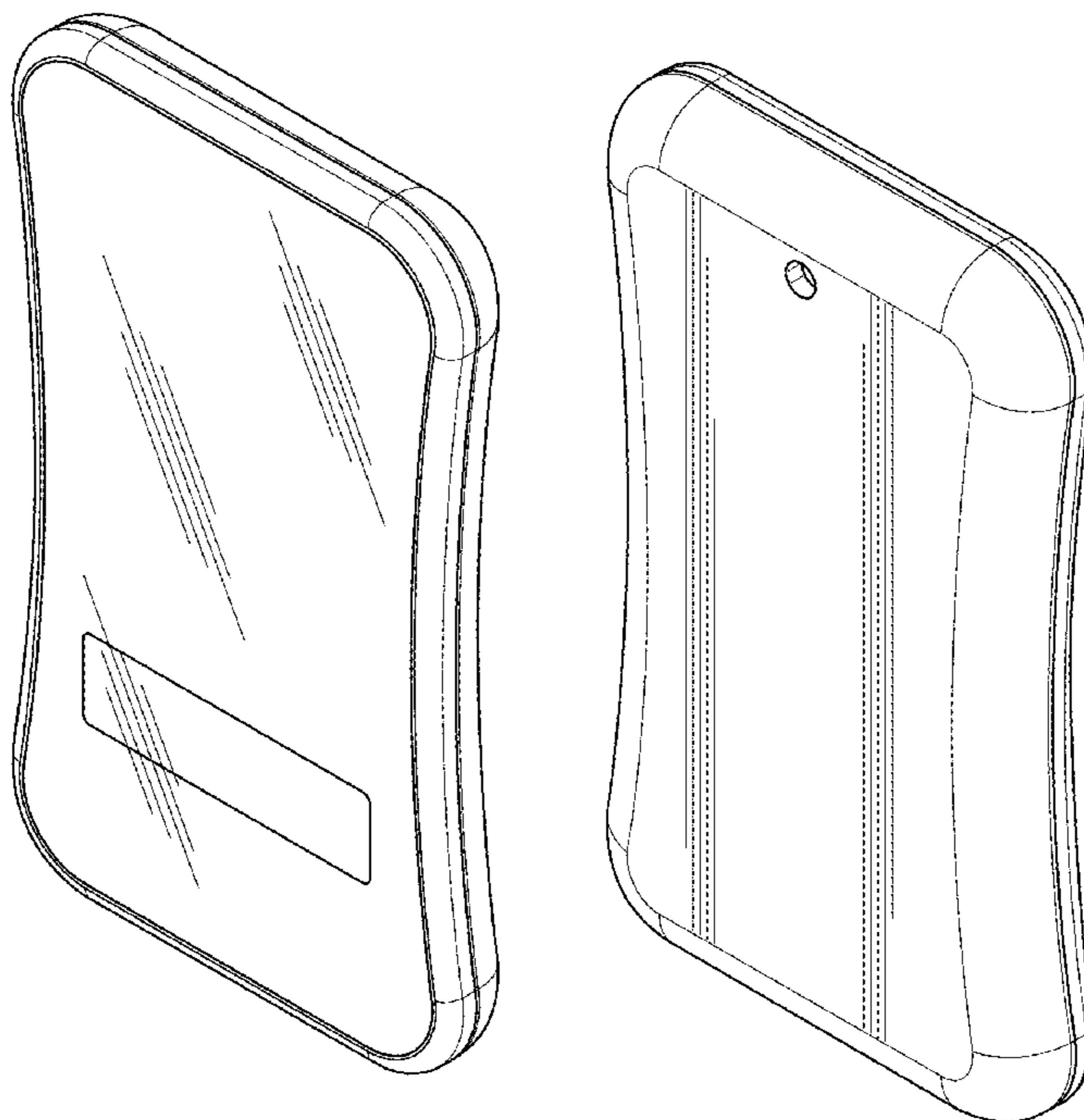
(57) **CLAIM**

The ornamental design for an controller, substantially as shown and described.

DESCRIPTION

FIG. 1 is a front perspective of an controller according to our new design.
FIG. 2 is a rear perspective view of the design of FIG. 1.
FIG. 3 is a front view of the design of FIG. 1.
FIG. 4 is a side view of the design of FIG. 1.
FIG. 5 is a plan view of the design of FIG. 1.
FIG. 6 is a rear view of the design of FIG. 1.
FIG. 7 is a view of the opposite side of design to that shown in FIG. 4; and,
FIG. 8 is a bottom view of the design of FIG. 1.
The shading shown in the FIGS. 1 and 3 serves to illustrate transparency and is not surface ornamentation.

1 Claim, 3 Drawing Sheets



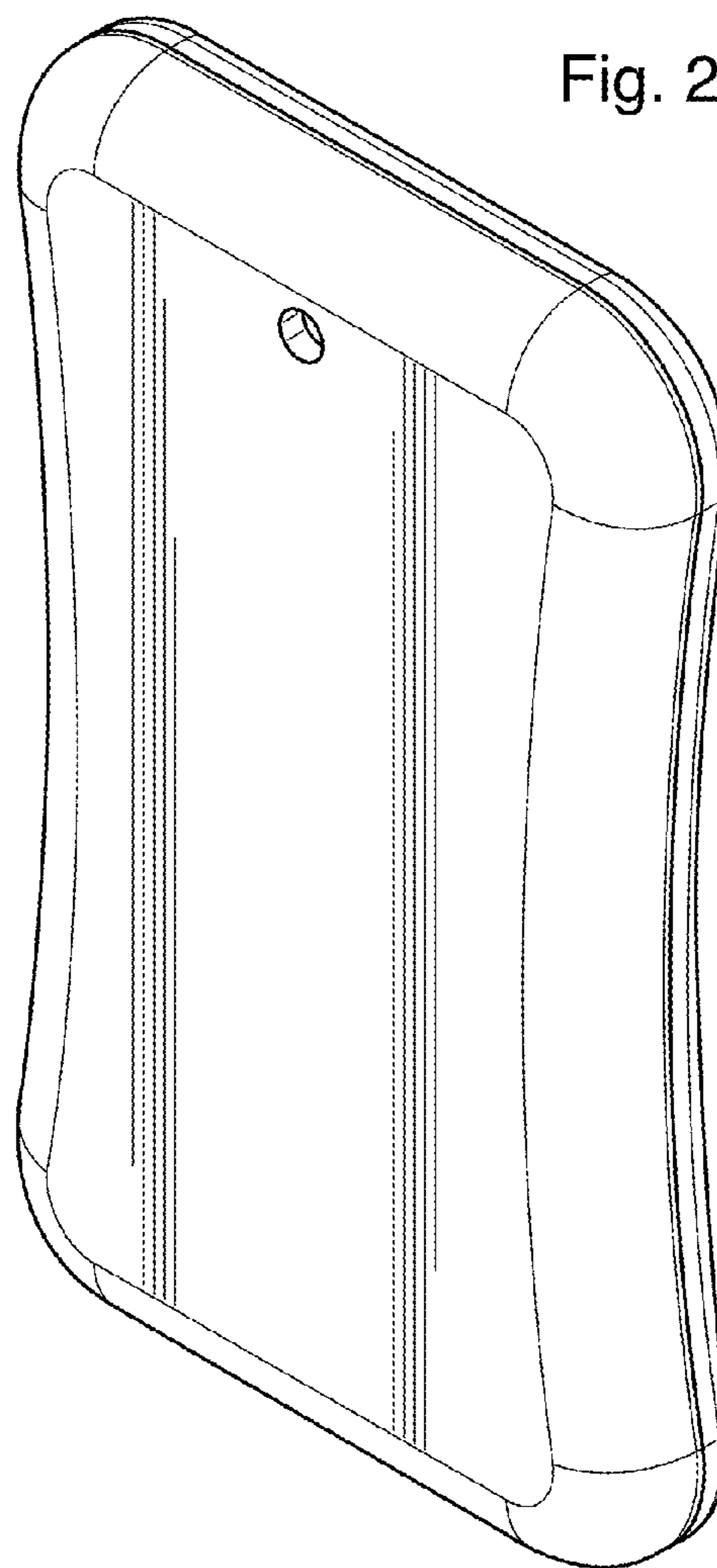
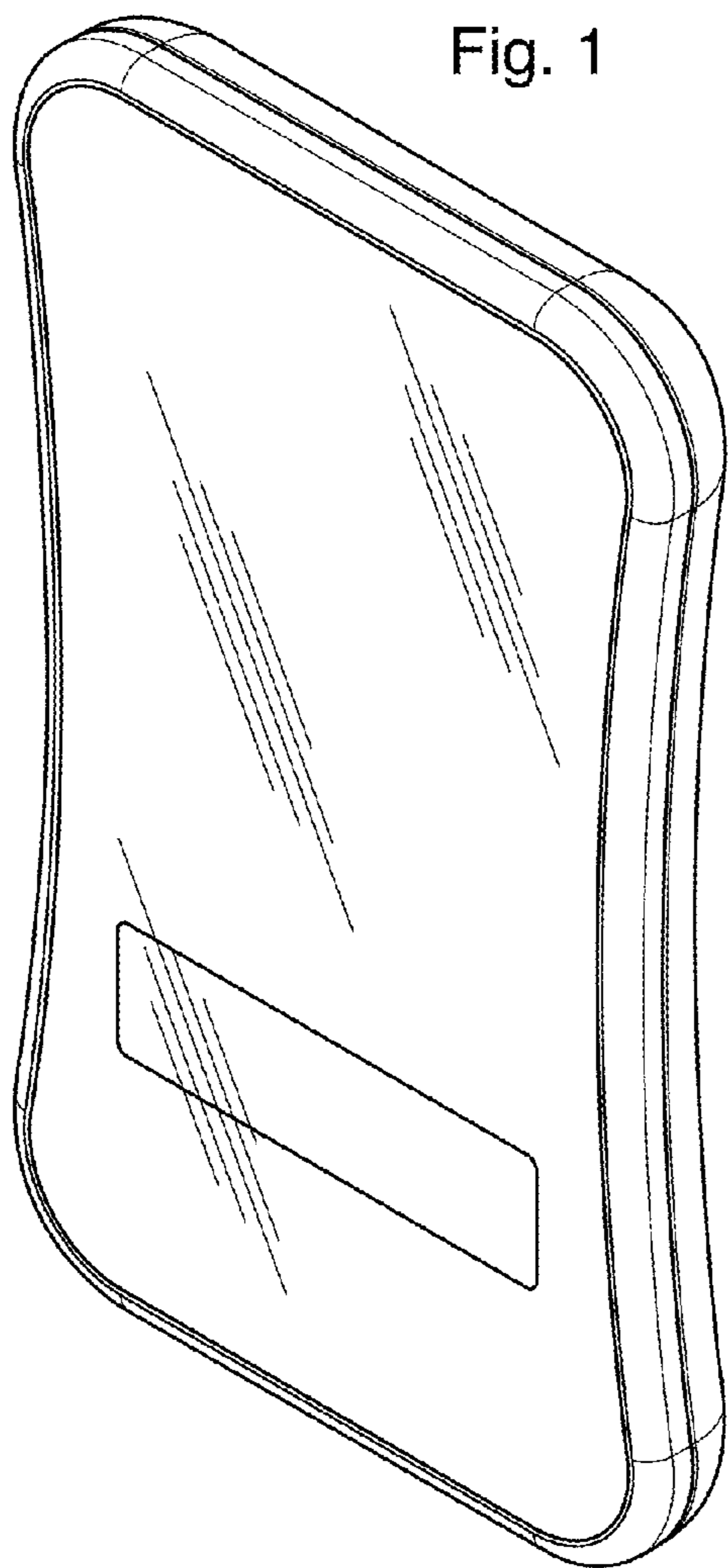


Fig. 3

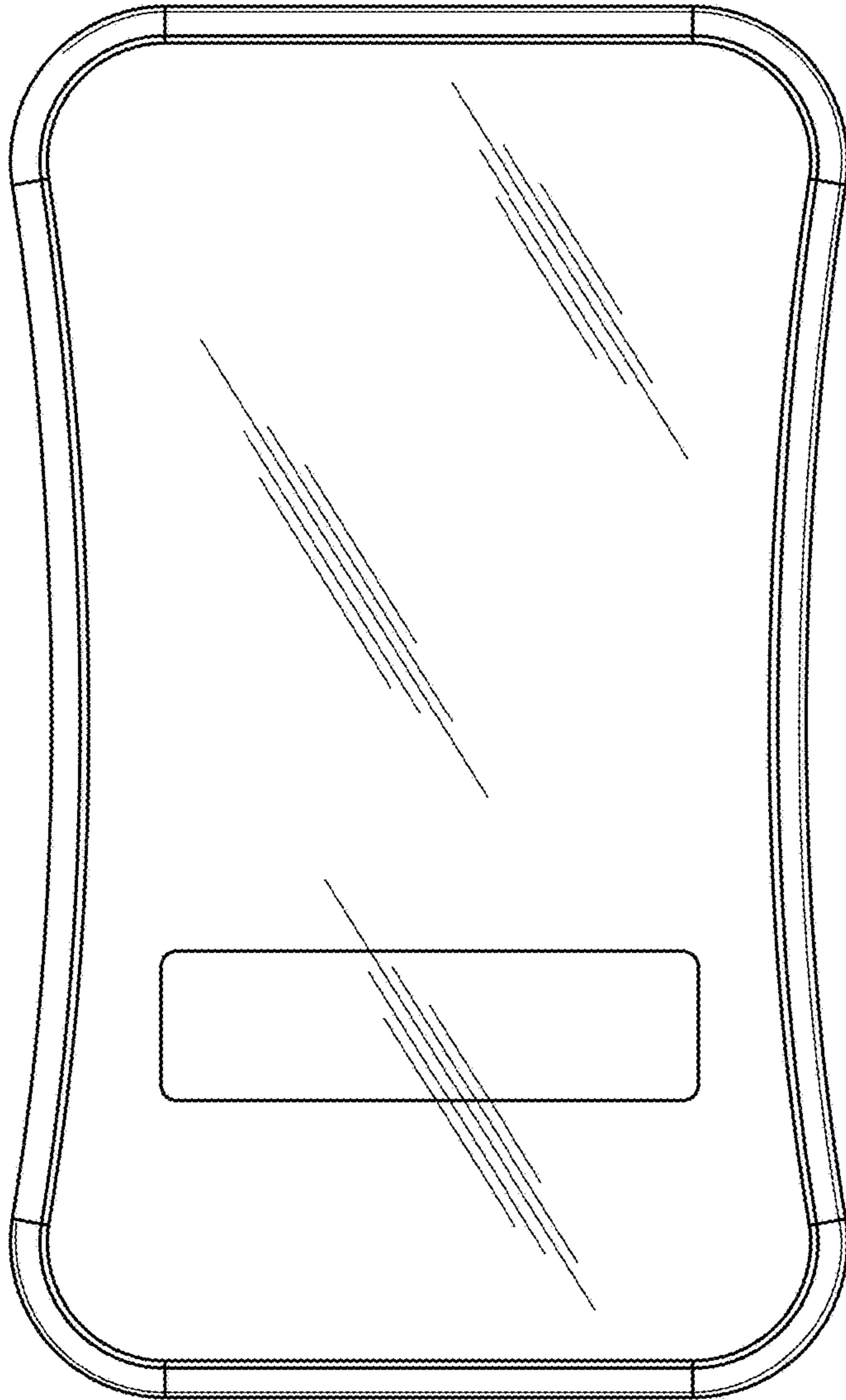


Fig. 4

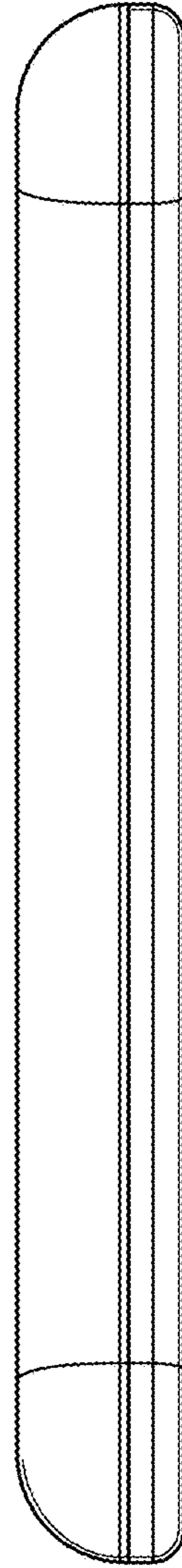


Fig. 5

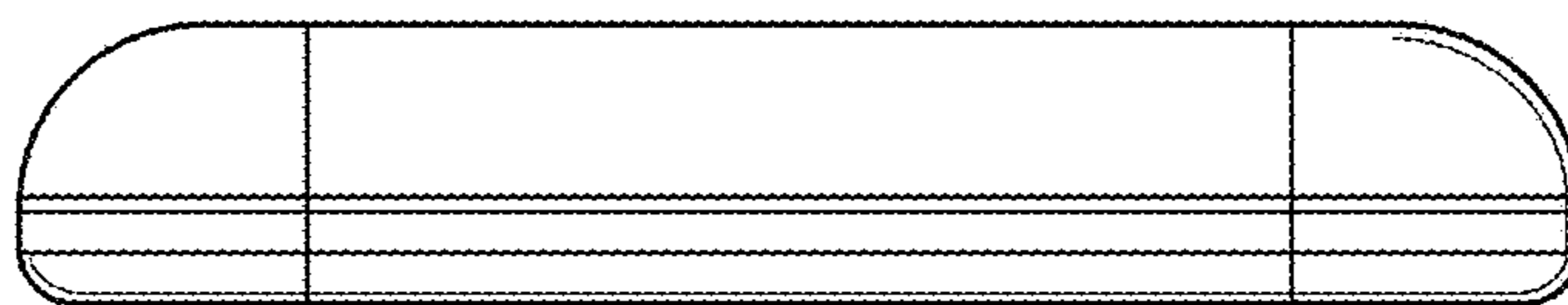


Fig. 6

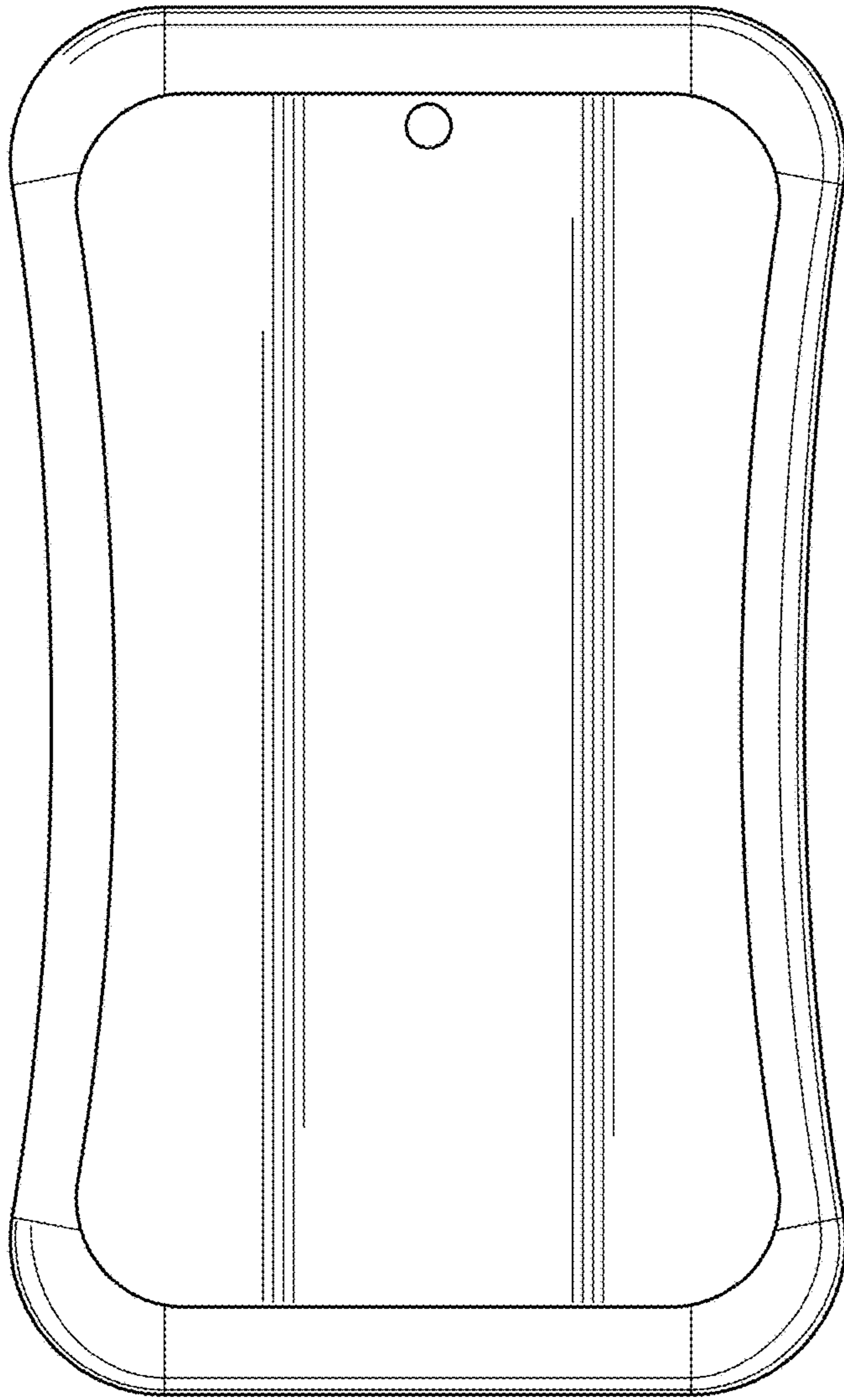


Fig. 7

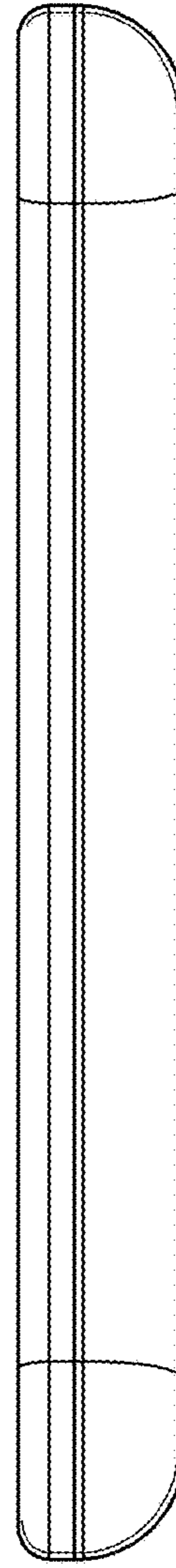


Fig. 8

