



US00D778452S

(12) **United States Design Patent**
Cespedes et al.

(10) **Patent No.:** **US D778,452 S**

(45) **Date of Patent:** **** Feb. 7, 2017**

- (54) **PROSTHETIC SOCKET BRIM**
- (71) Applicant: **LIM INNOVATIONS, INC.**, San Francisco, CA (US)
- (72) Inventors: **Juan Jacobo Cespedes**, San Francisco, CA (US); **Roger Alan**, San Francisco, CA (US); **Garrett Ray Hurley**, San Francisco, CA (US); **Jesse Robert Williams**, San Francisco, CA (US)

5,728,165	A *	3/1998	Brown, Sr.	A61F 2/80	602/62
D453,591	S *	2/2002	Garden	D29/120.1	
6,942,703	B2 *	9/2005	Carstens	A61F 2/78	623/32
8,894,719	B2 *	11/2014	Egilsson	A61F 2/7812	623/36
D723,163	S *	2/2015	Gottlieb	D24/155	
9,155,636	B1 *	10/2015	Fikes	A61F 2/7812	
9,265,629	B2 *	2/2016	Kelley	A61F 2/7812	
9,345,590	B2 *	5/2016	Arabian	A61F 2/68	
2006/0009860	A1 *	1/2006	Price	A61F 2/5046	623/33

(**) Term: **15 Years**

(21) Appl. No.: **29/538,246**

(22) Filed: **Sep. 2, 2015**

(51) **LOC (10) Cl.** **24-04**

(52) **U.S. Cl.**
USPC **D24/190; D24/155**

(58) **Field of Classification Search**
USPC D24/190-192, 155; D29/120.1, 121.1, D29/122

CPC .. A61F 2/80; A61F 2/7812; A61F 2002/7818; A61F 2002/802; A61F 2002/5053; A61F 2002/805; A61F 2/7843; A61F 2002/5007; A61F 2/78; A61F 2/60

See application file for complete search history.

(56) **References Cited**

U.S. PATENT DOCUMENTS

4,872,879	A *	10/1989	Shamp	A61F 2/80	623/36
5,387,245	A *	2/1995	Fay	A61F 2/7843	623/34

* cited by examiner

Primary Examiner — George D Kirschbaum

Assistant Examiner — Jennifer Watkins

(74) *Attorney, Agent, or Firm* — Merchant & Gould, P.C.

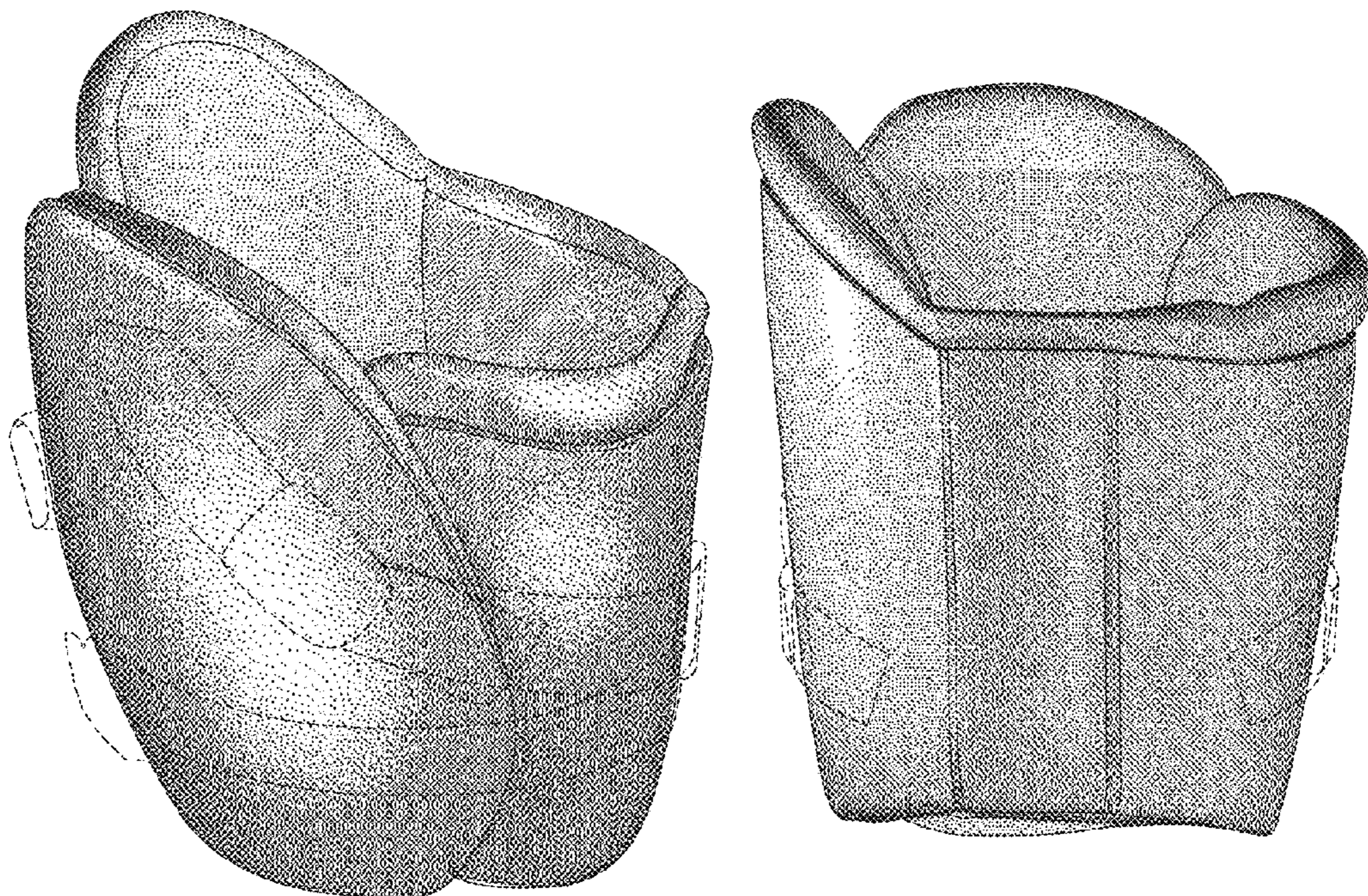
(57) **CLAIM**

The ornamental design for a prosthetic socket brim, as shown and described.

DESCRIPTION

FIG. 1 shows a top anterior-lateral perspective view of a prosthetic socket brim;
 FIG. 2 shows an anterior side view thereof;
 FIG. 3 shows a posterior side view thereof;
 FIG. 4 shows a medial side view thereof;
 FIG. 5 shows a lateral side view thereof;
 FIG. 6 shows a top face view thereof; and,
 FIG. 7 shows a bottom face view thereof.
 The broken lines illustrate environmental structure and form no part of the claimed design.

1 Claim, 4 Drawing Sheets



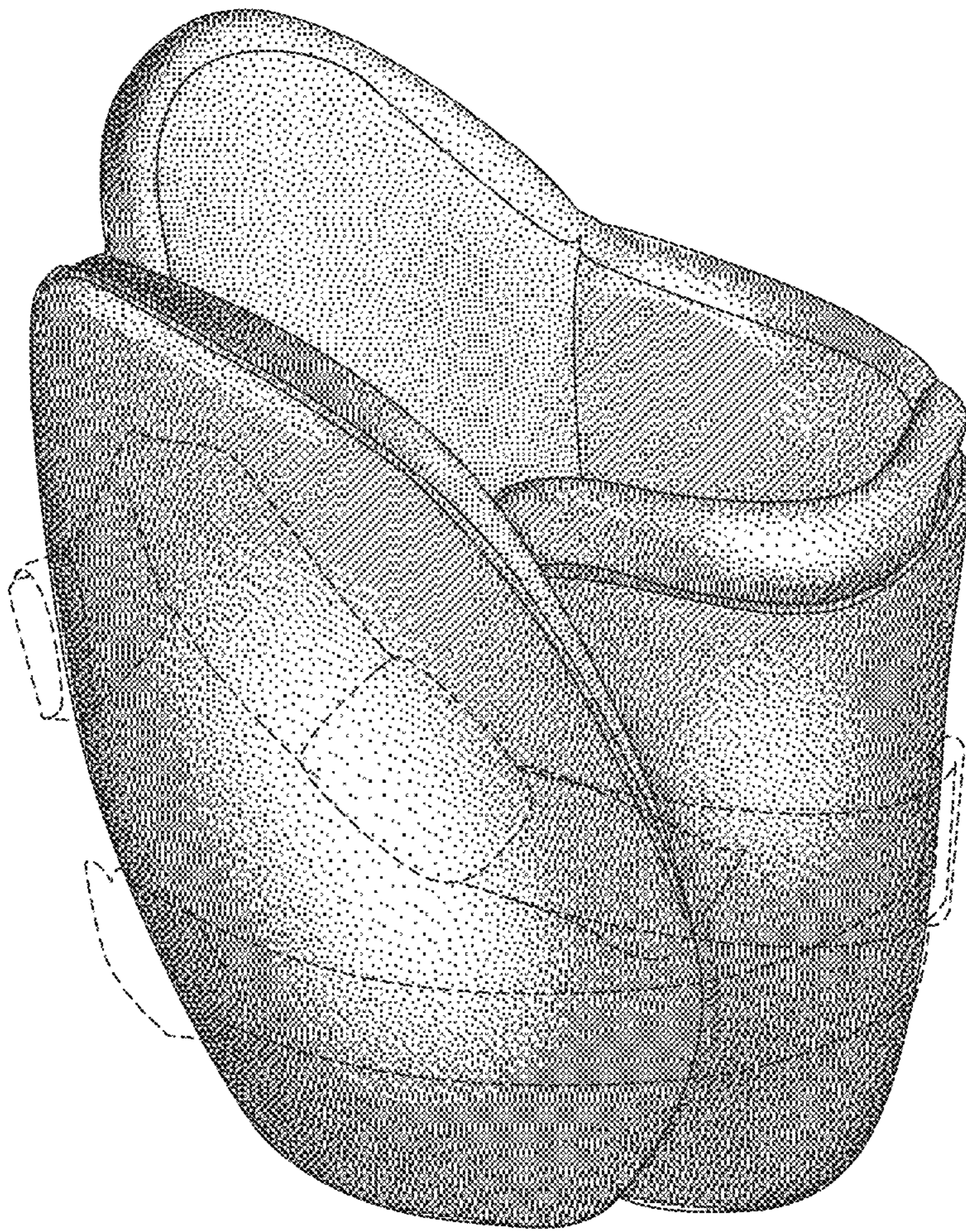


FIG. 1

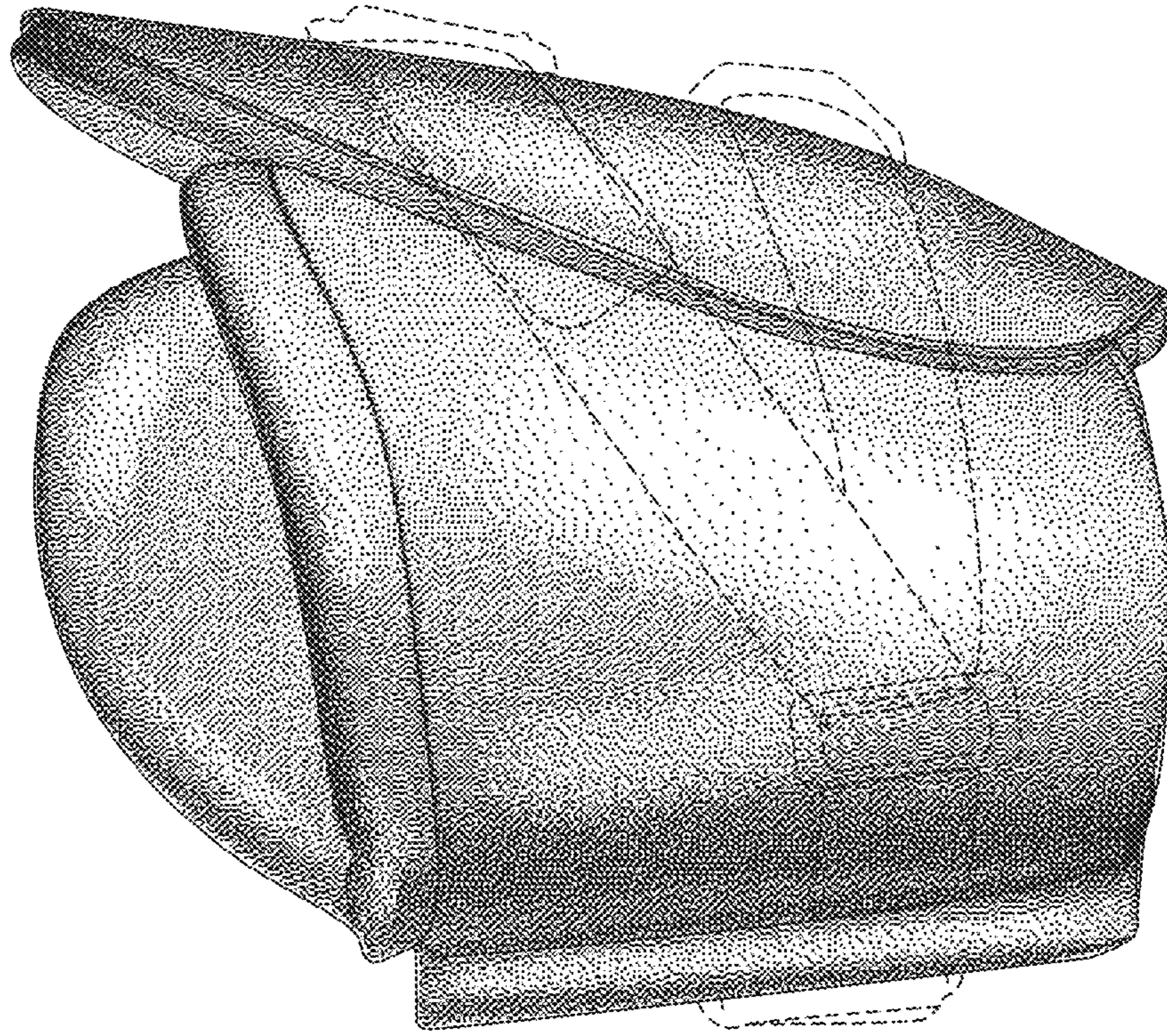


FIG. 2

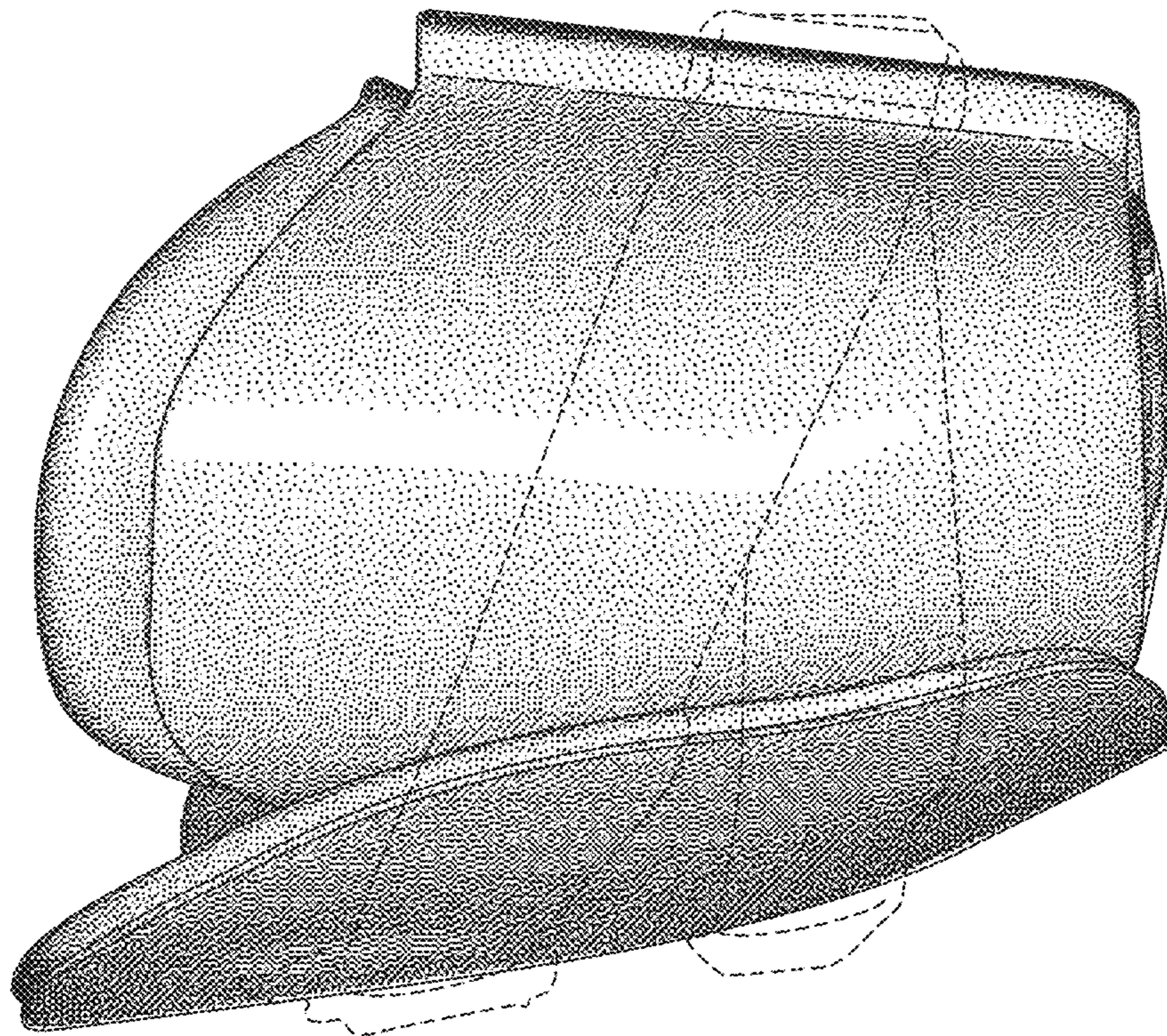


FIG. 3

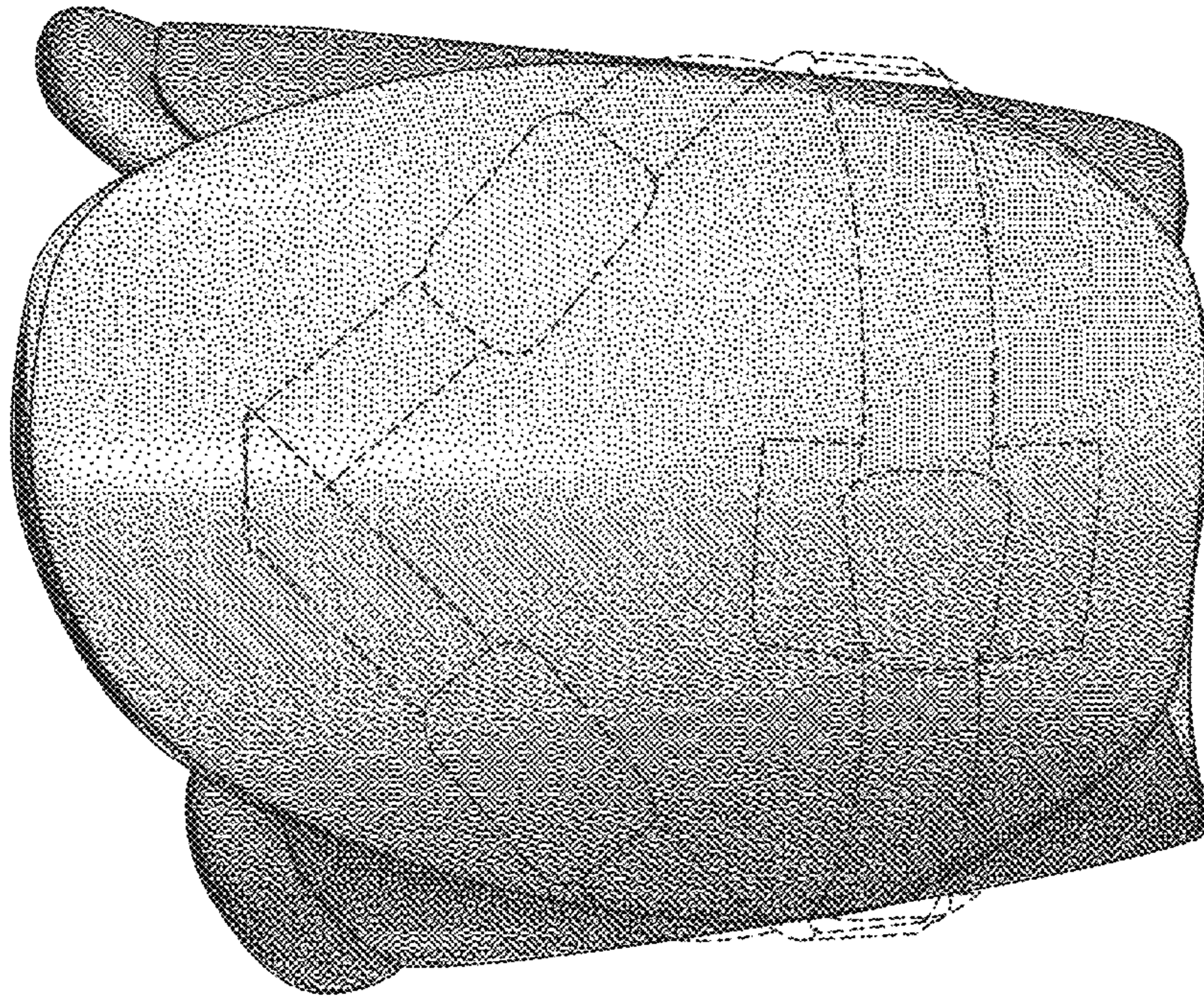


FIG. 5

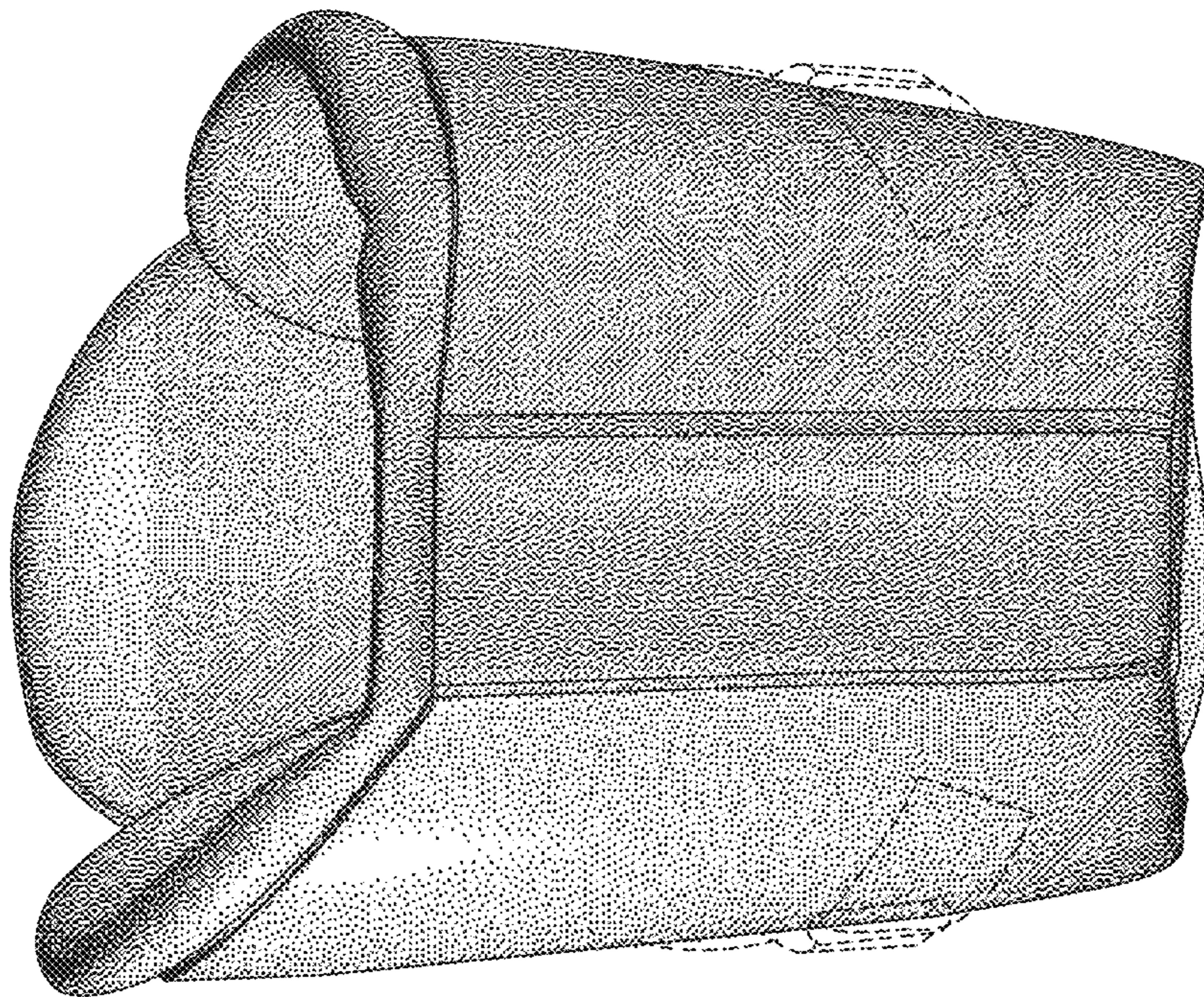


FIG. 4

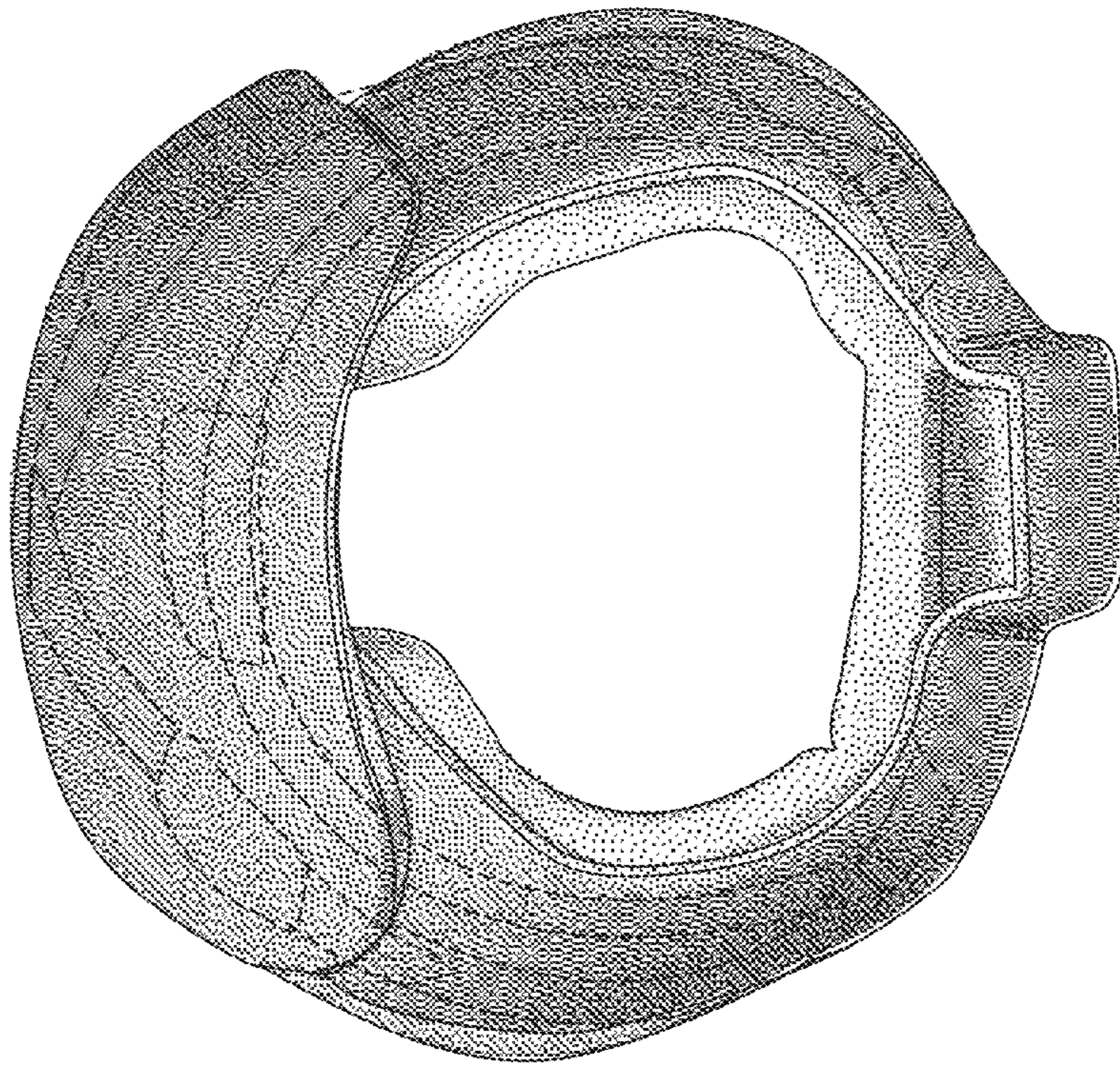


FIG. 7

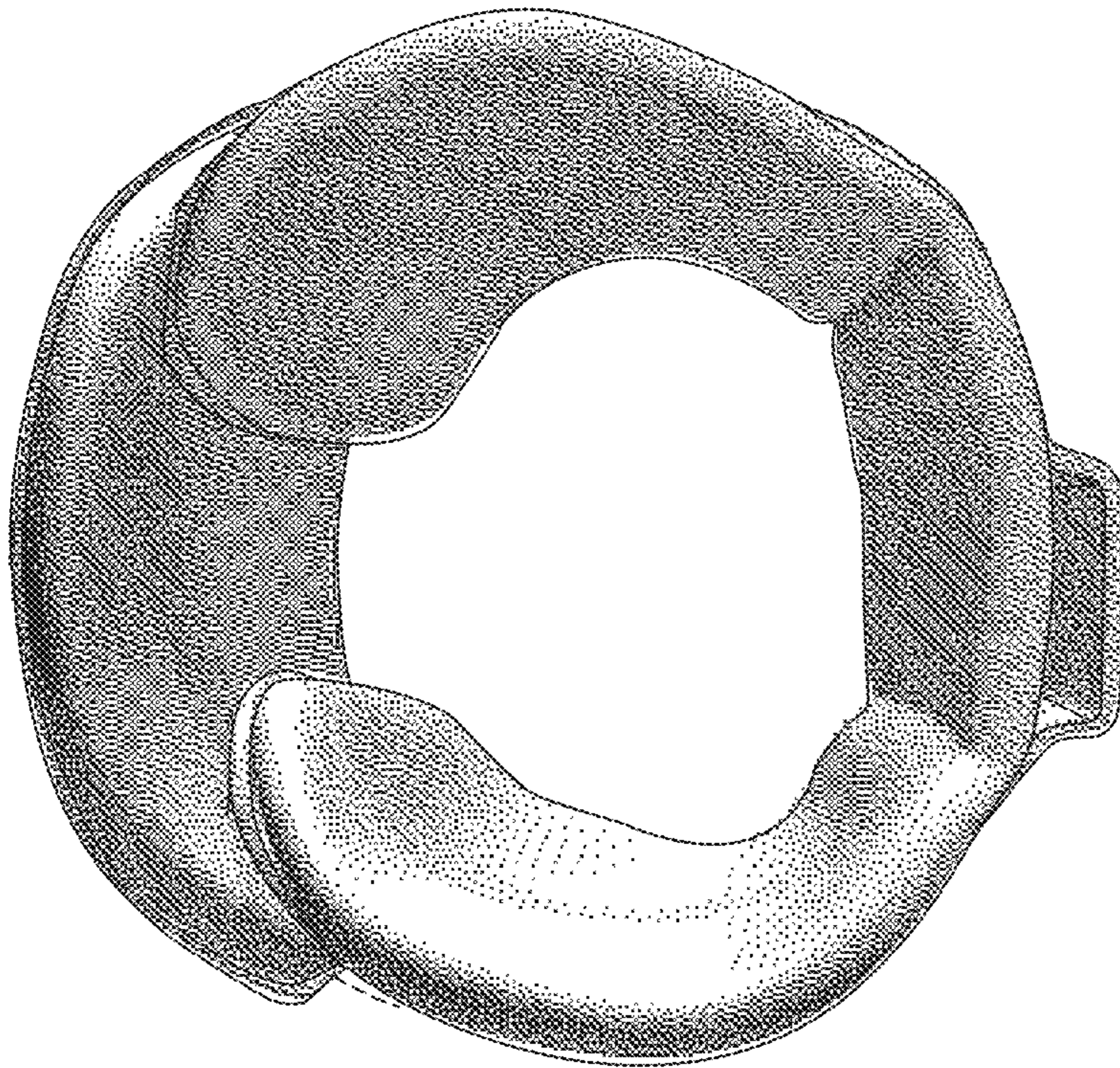


FIG. 6