



US00D778448S

(12) **United States Design Patent** (10) **Patent No.:** **US D778,448 S**
Hornek et al. (45) **Date of Patent:** **** Feb. 7, 2017**

(54) **DENTAL CABINET**

(71) Applicant: **MIDMARK CORPORATION**,
Versailles, OH (US)

(72) Inventors: **Adam L. Hornek**, Glasgow, KY (US);
Christine A. Subler-Treon, Versailles,
OH (US); **Stuart A. Karten**, Venice,
CA (US); **Jonathan P. Abarbanel**, Los
Angeles, CA (US); **Jeffrey W. Bentzler**,
Playa Del Rey, CA (US); **Cynthia
Hagop Kossayan**, Santa Monica, CA
(US)

(73) Assignee: **Midmark Corporation**, Versailles, OH
(US)

(**) Term: **15 Years**

(21) Appl. No.: **29/544,387**

(22) Filed: **Nov. 3, 2015**

Related U.S. Application Data

(62) Division of application No. 29/471,297, filed on Oct.
30, 2013, now Pat. No. Des. 745,170.

(51) **LOC (10) Cl.** **24-02**

(52) **U.S. Cl.**
USPC **D24/177**

(58) **Field of Classification Search**

USPC D24/177; D6/309, 332, 648, 648.2, 650,
D6/653, 653.1, 653.15-653.17,
D6/653.19-654.1, 654.1-656.19,
D6/654.2-657, 661.3, 668; D23/273,
D23/284-290, 293.1, 303, 308;
4/619-620, 624-625, 630-631, 661;
312/140.1-140.3, 204, 228, 209, 279,
312/319, 328, 330.1, 334.1; D14/448
CPC A47B 81/00; A47B 88/06; A47B 81/062;
A61G 15/14; A61G 15/16; A61G 13/02;
B25H 3/00

See application file for complete search history.

(56) **References Cited**

U.S. PATENT DOCUMENTS

D572,037 S *	7/2008	Reyes	D6/648
D594,557 S *	6/2009	Hirayoshi	D24/177
D619,263 S *	7/2010	Hirayoshi	D23/286
D651,214 S *	12/2011	Yoo	D14/448
D745,170 S *	12/2015	Hornek	D24/177

* cited by examiner

Primary Examiner — Wan Laymon

Assistant Examiner — Mark Booker

(74) *Attorney, Agent, or Firm* — Frost Brown Todd LLC

(57) **CLAIM**

The ornamental design for the dental cabinet, as shown and described.

DESCRIPTION

FIG. 1 is an isometric view of our new dental cabinet design, depicting the environment;

FIG. 2 is an enlarged isometric view of FIG. 7;

FIG. 3 is an enlarged isometric view of an upholstered column and shelf thereof;

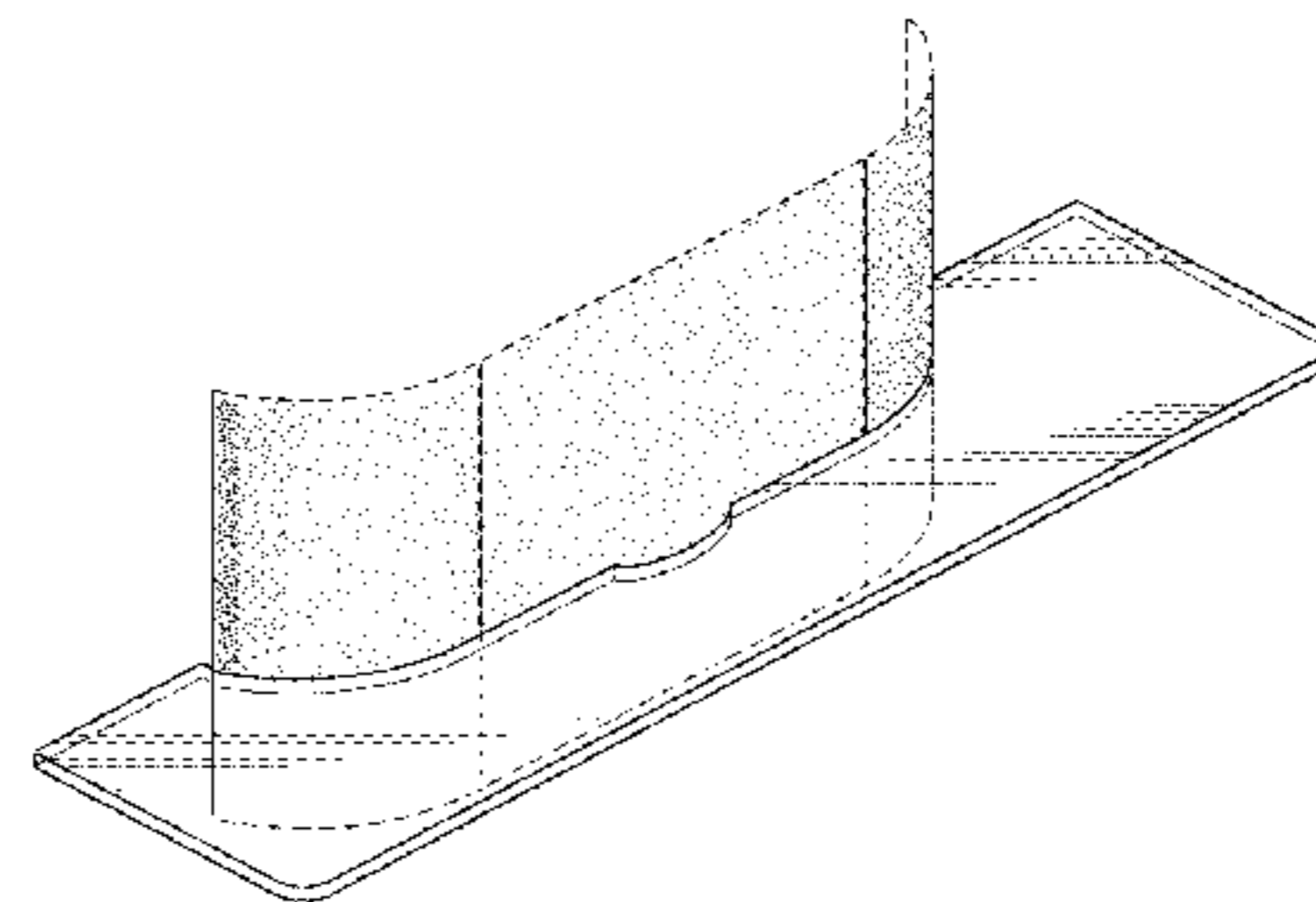
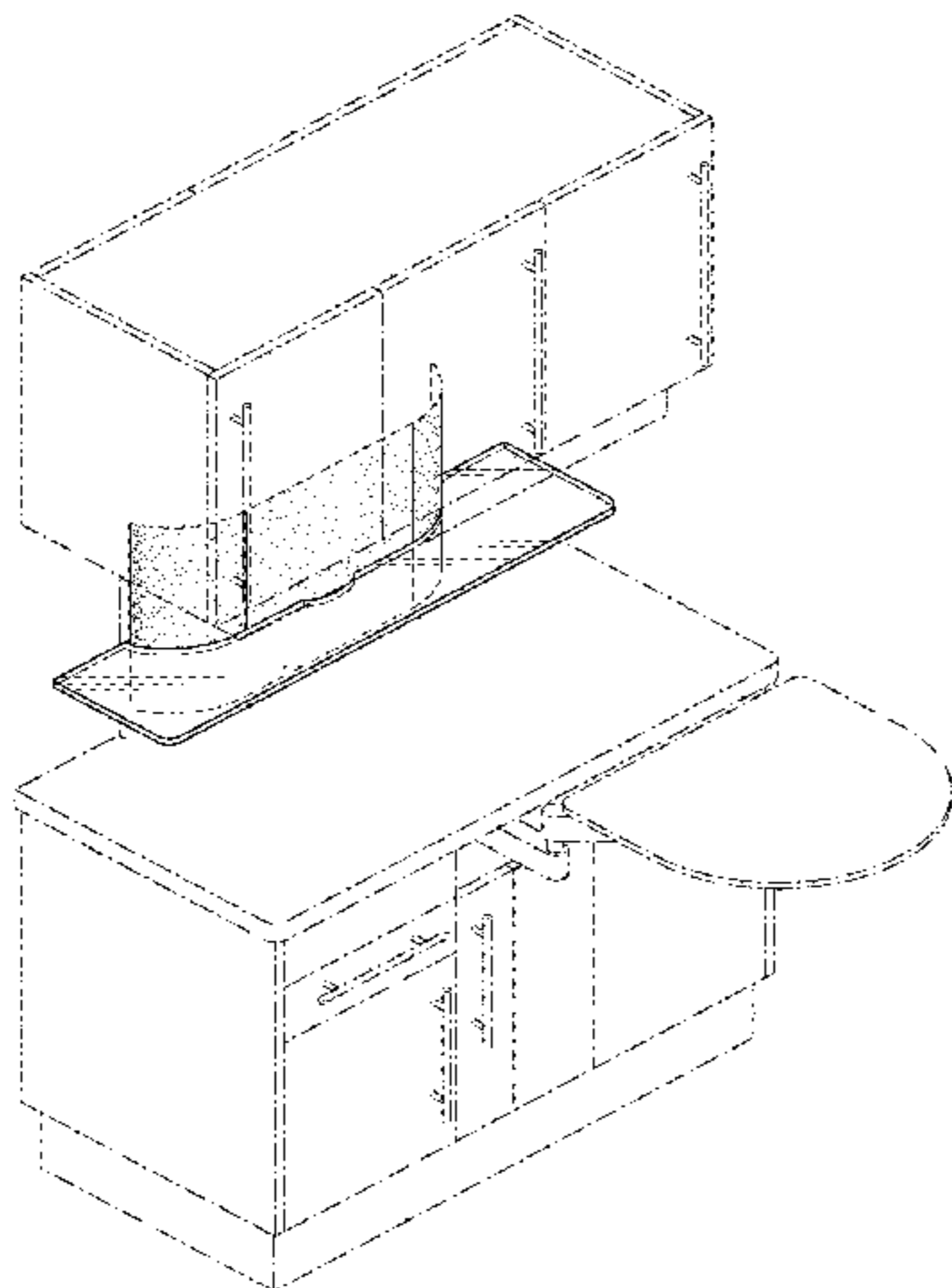
FIG. 4 is a front elevation view thereof;

FIG. 5 is a left-side elevation view thereof (the right-side elevation view being a mirror image of FIG. 5); and,

FIG. 6 is a top plan view thereof.

The broken dot-dash lines throughout the figures of the dental cabinet are intended to denote environment structure. Neither the broken dot-dash lines themselves, nor the regions within the lines, form any part of the claimed design. The stippled portions of the dental cabinet design shown throughout the figures are intended to denote a fabric-like or upholstered appearance.

1 Claim, 4 Drawing Sheets



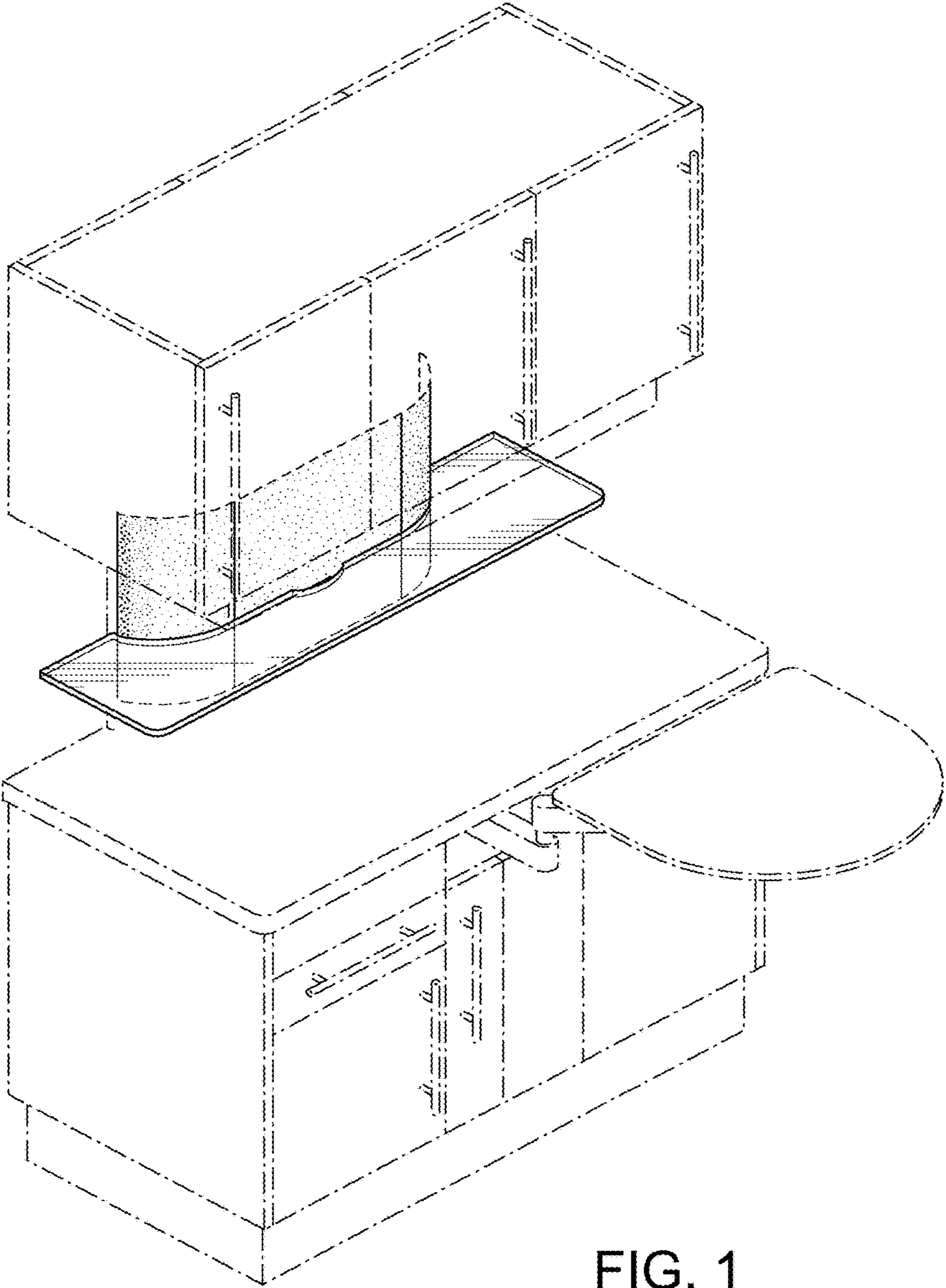


FIG. 1

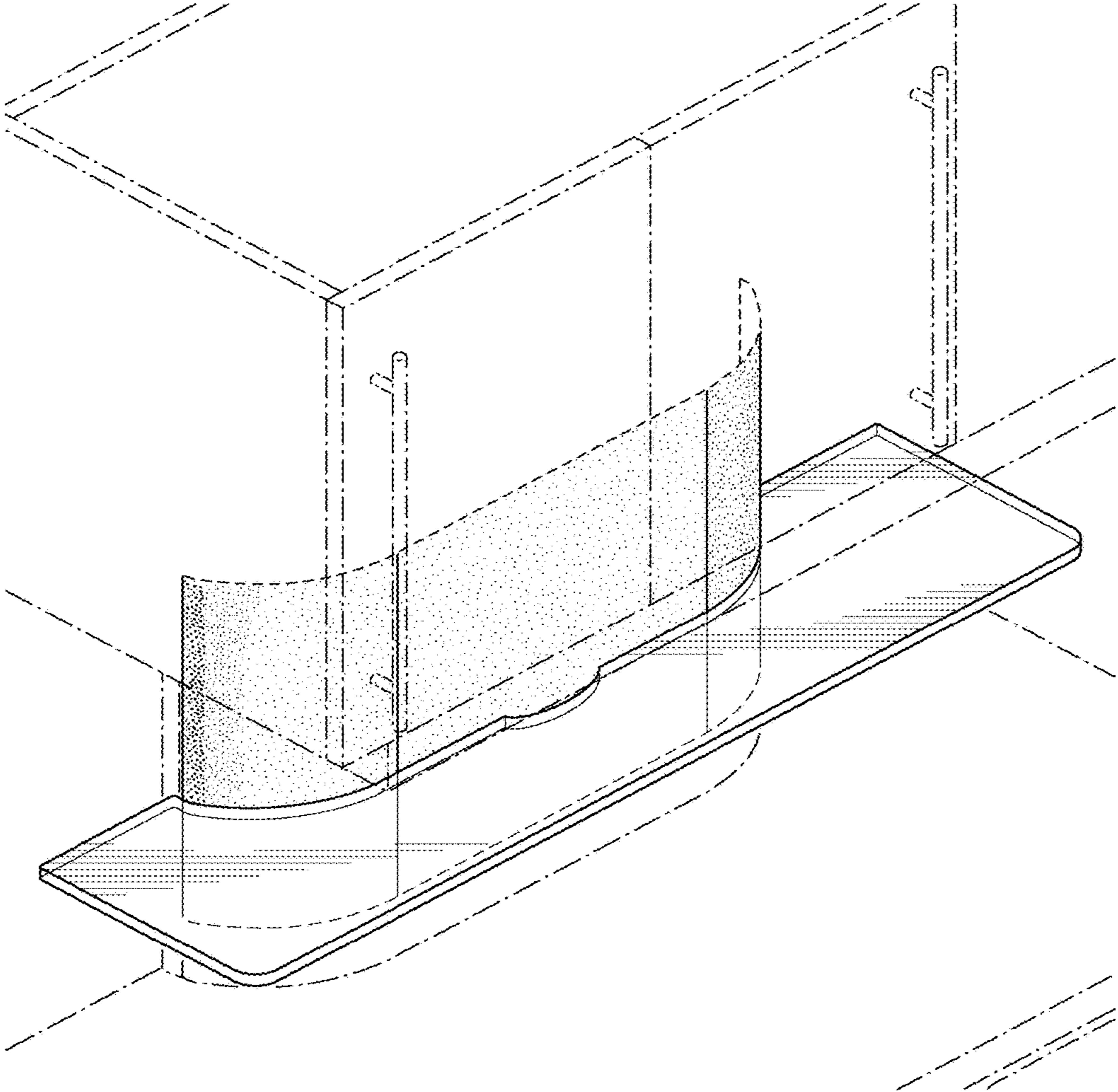


FIG. 2

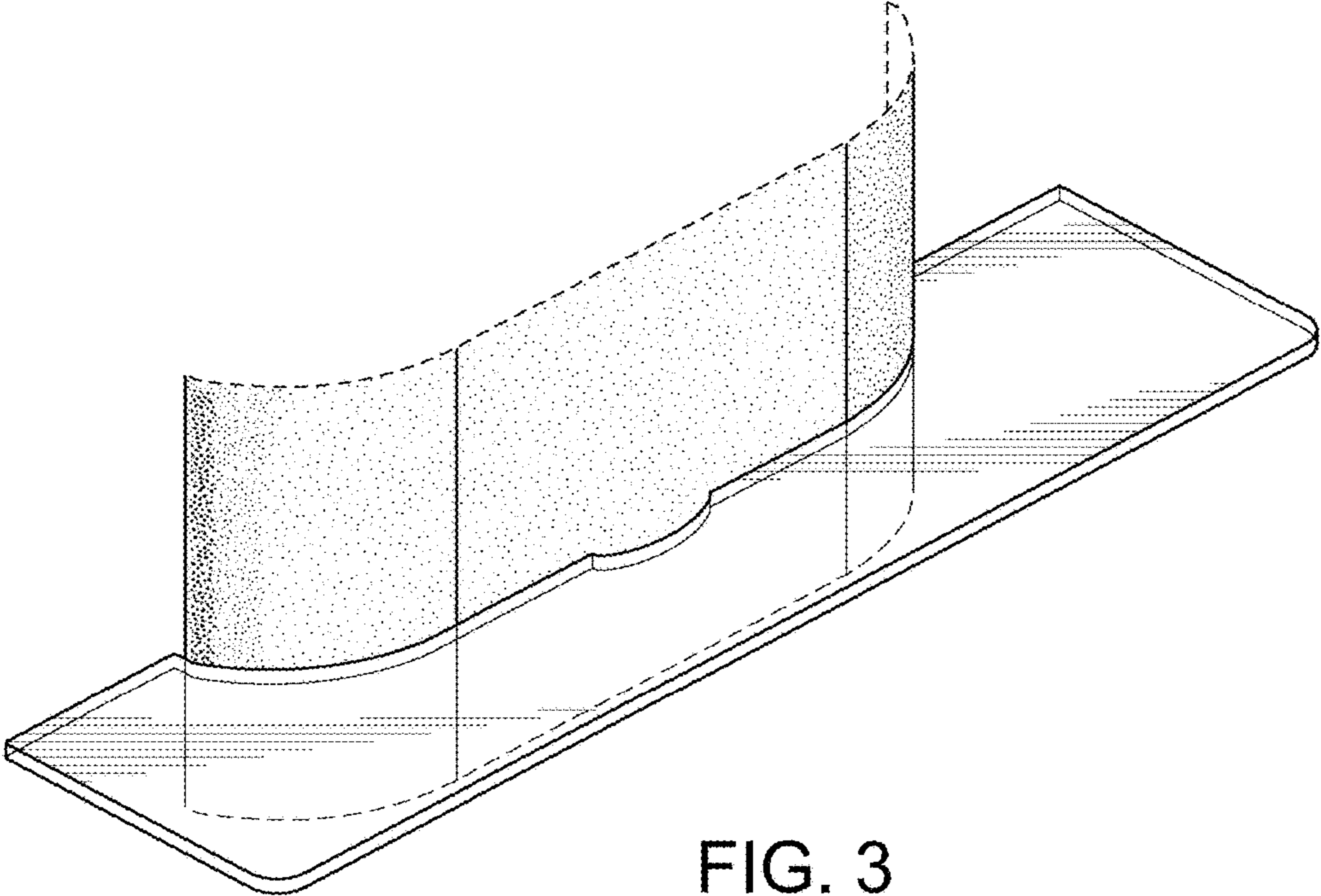


FIG. 3

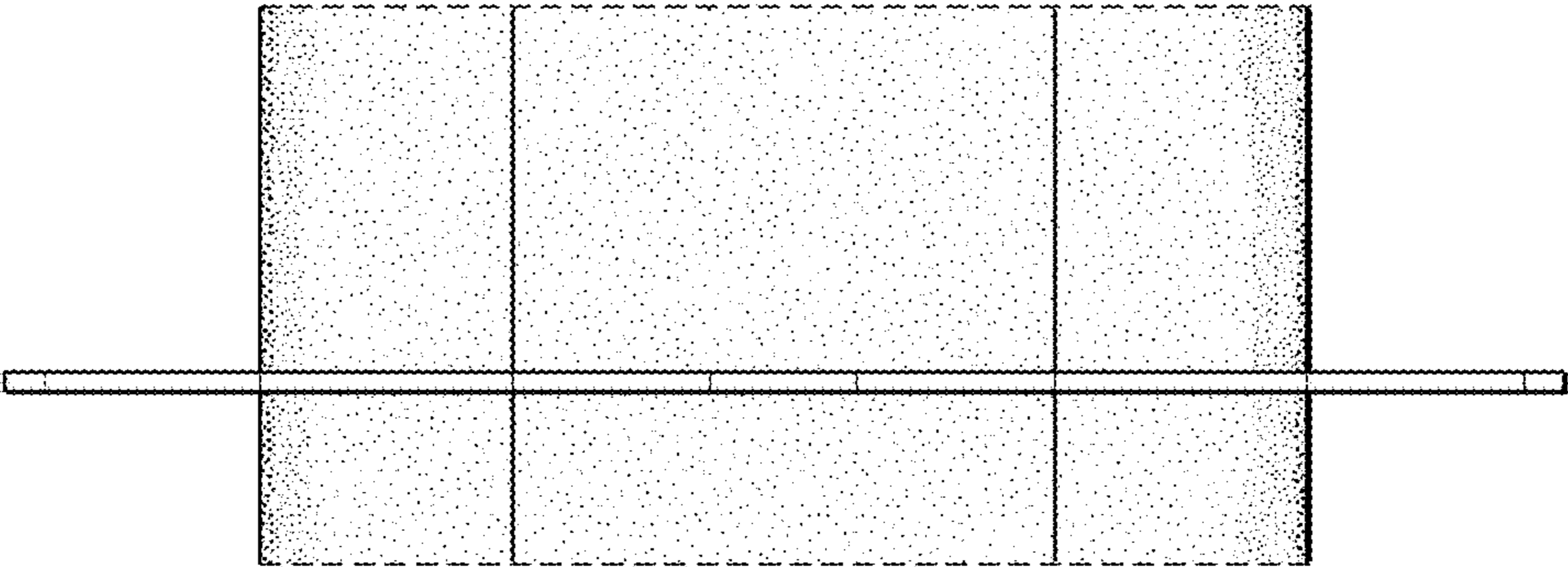


FIG. 4



FIG. 5

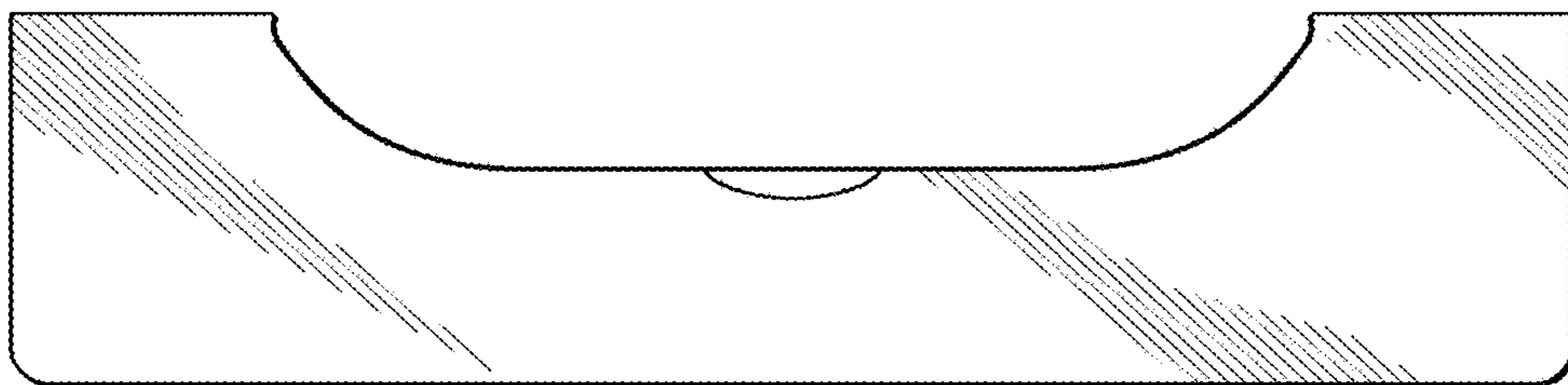


FIG. 6