



US00D778447S

(12) **United States Design Patent** (10) **Patent No.:** **US D778,447 S**  
**Russell et al.** (45) **Date of Patent:** **\*\* Feb. 7, 2017**

(54) **BRACKET FOR A SOUND PROCESSOR AND A COIL**

(71) Applicants: **Peter John Russell**, Regentville (AU);  
**David Harte**, Erskineville (AU)

(72) Inventors: **Peter John Russell**, Regentville (AU);  
**David Harte**, Erskineville (AU)

(73) Assignee: **Cochlear Limited**, Macquarie University (AU)

(\*\*) Term: **14 Years**

(21) Appl. No.: **29/512,365**

(22) Filed: **Dec. 18, 2014**

(51) **LOC (10) Cl.** ..... **24-99**

(52) **U.S. Cl.**  
USPC ..... **D24/173**

(58) **Field of Classification Search**  
USPC ..... D24/173-175; D14/205, 223-226, 249,  
D14/188; D8/354, 349, 382  
CPC ... H04R 2225/025; H04R 25/60; H04R 25/63;  
H04R 25/67; H04R 25/602; H04R 25/604;  
H04R 25/608; H04R 25/65; H04R 25/652  
See application file for complete search history.

(56) **References Cited**

U.S. PATENT DOCUMENTS

- D468,729 S \* 1/2003 Takayama ..... D14/224
- 6,731,770 B1 \* 5/2004 Vonlanthen ..... H04R 25/602  
381/314
- D528,213 S \* 9/2006 Darley ..... D24/174
- D635,961 S \* 4/2011 Gidden ..... D14/223
- D663,715 S \* 7/2012 Glezerman ..... D14/205

- D682,807 S \* 5/2013 Stevinson ..... D14/205
- D693,008 S \* 11/2013 Chan ..... D24/174
- D729,212 S \* 5/2015 Adams ..... D14/205
- 2006/0239483 A1 \* 10/2006 Orts ..... H04R 25/608  
381/312
- 2008/0285782 A1 \* 11/2008 Gommel ..... H04R 25/604  
381/322
- 2014/0275736 A1 \* 9/2014 Ruppertsberg ..... H04R 25/606  
600/25

\* cited by examiner

*Primary Examiner* — Anhdao Doan

(74) *Attorney, Agent, or Firm* — McDonnell Boehnen Hulbert & Berghoff LLP

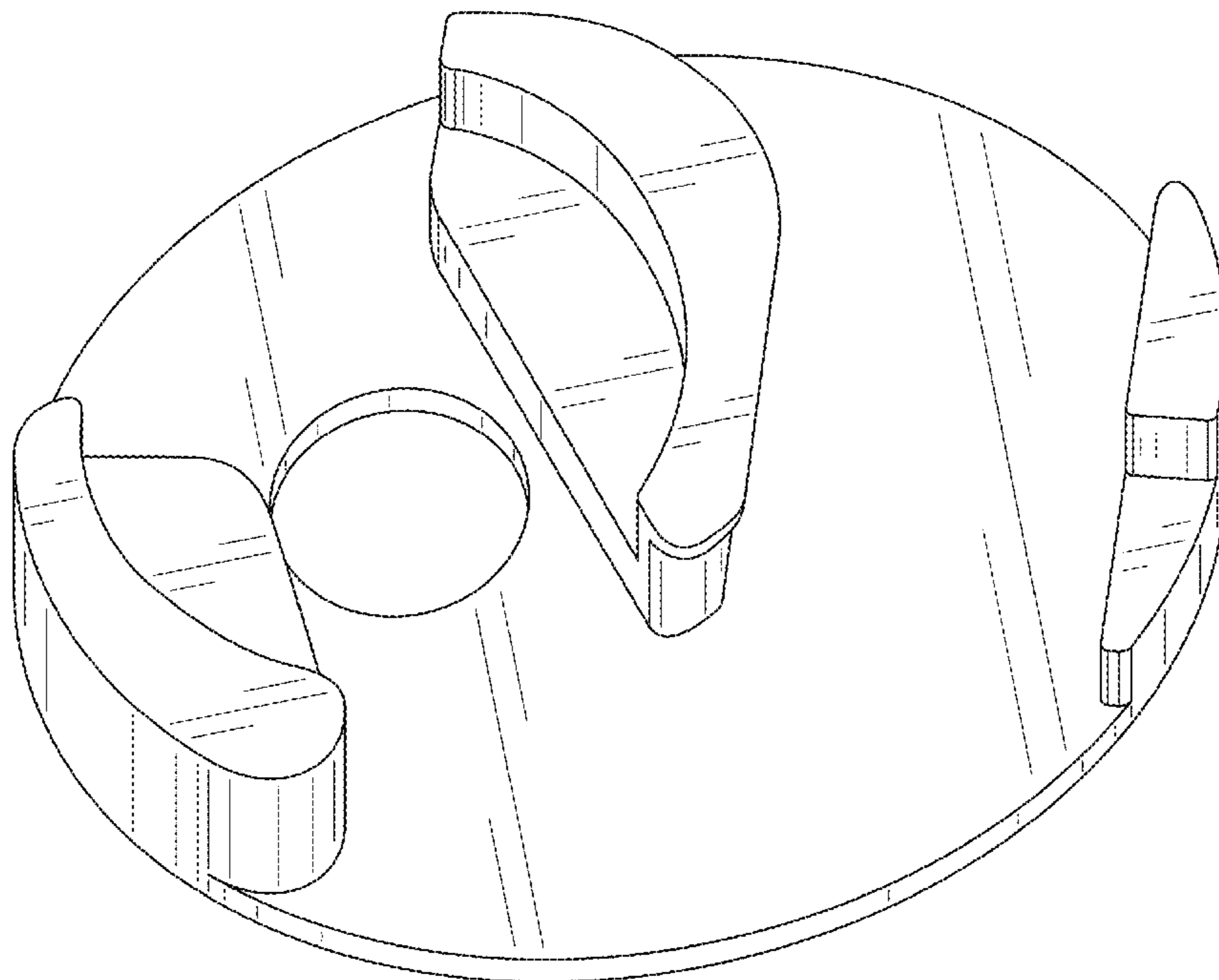
(57) **CLAIM**

The ornamental design for a bracket for a sound processor and a coil, as shown and described.

**DESCRIPTION**

FIG. 1 is a perspective view of the bracket for a sound processor and a coil of the present design;  
FIG. 2 is a front view thereof;  
FIG. 3 is a rear view thereof;  
FIG. 4 is a left side view thereof;  
FIG. 5 is a right side view thereof;  
FIG. 6 is a top view thereof;  
FIG. 7 is bottom view thereof; and,  
FIG. 8 shows a perspective view of the bracket with a sound processor and a coil mounted on the bracket.  
The broken lines in FIG. 8 are directed to environment and are for illustrative purposes only; the broken lines form no part of the claimed design.

**1 Claim, 6 Drawing Sheets**



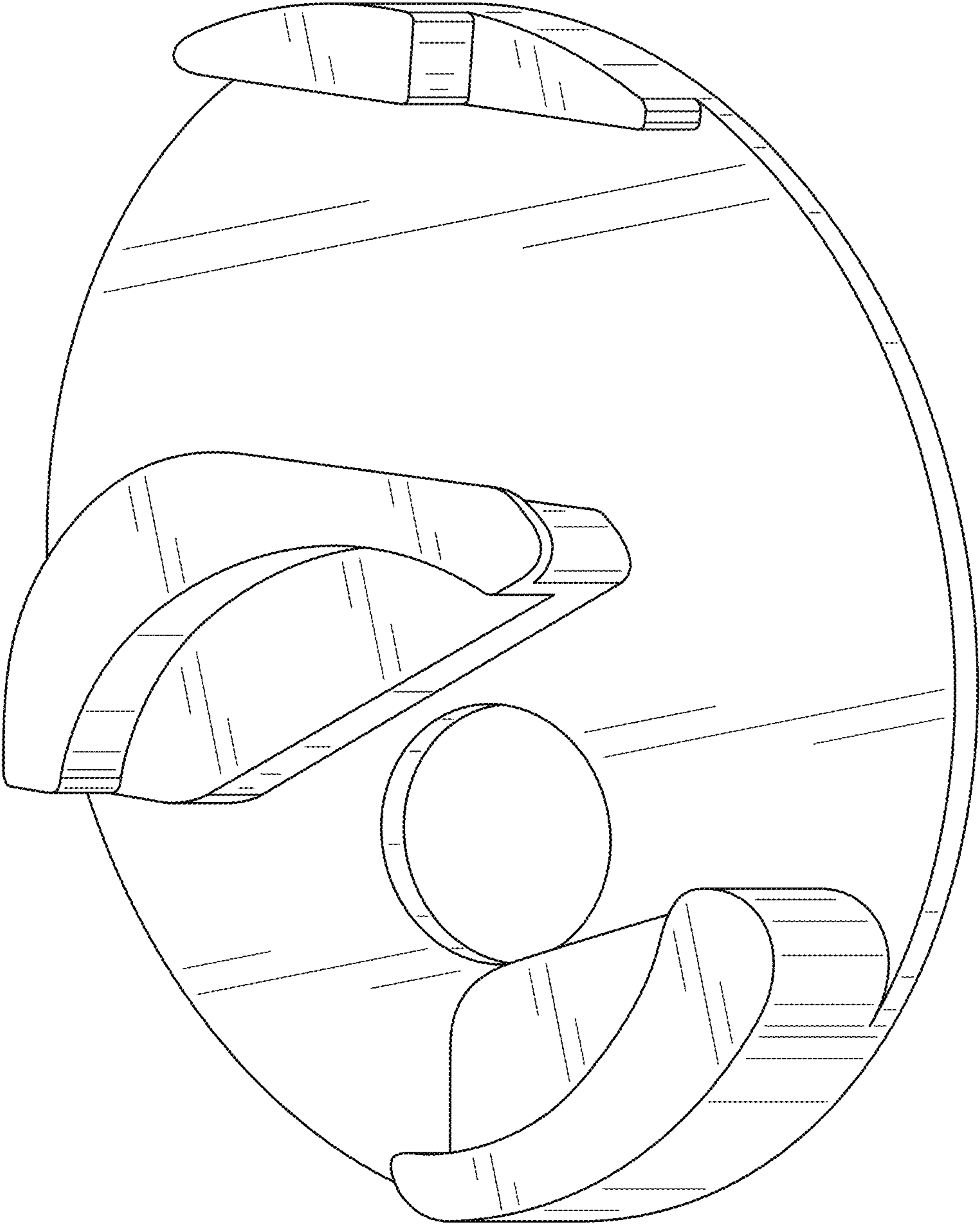


FIG. 1

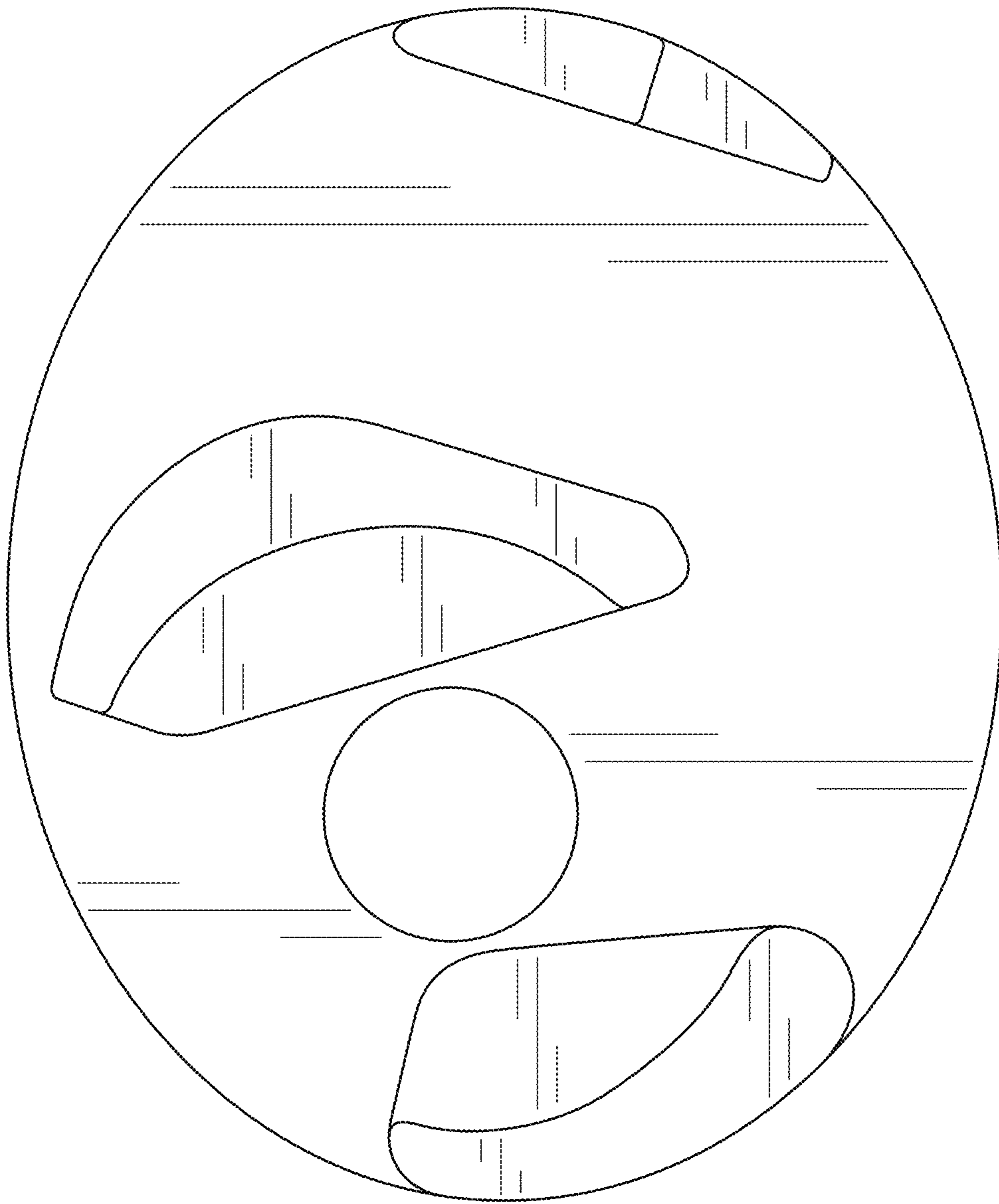


FIG. 2

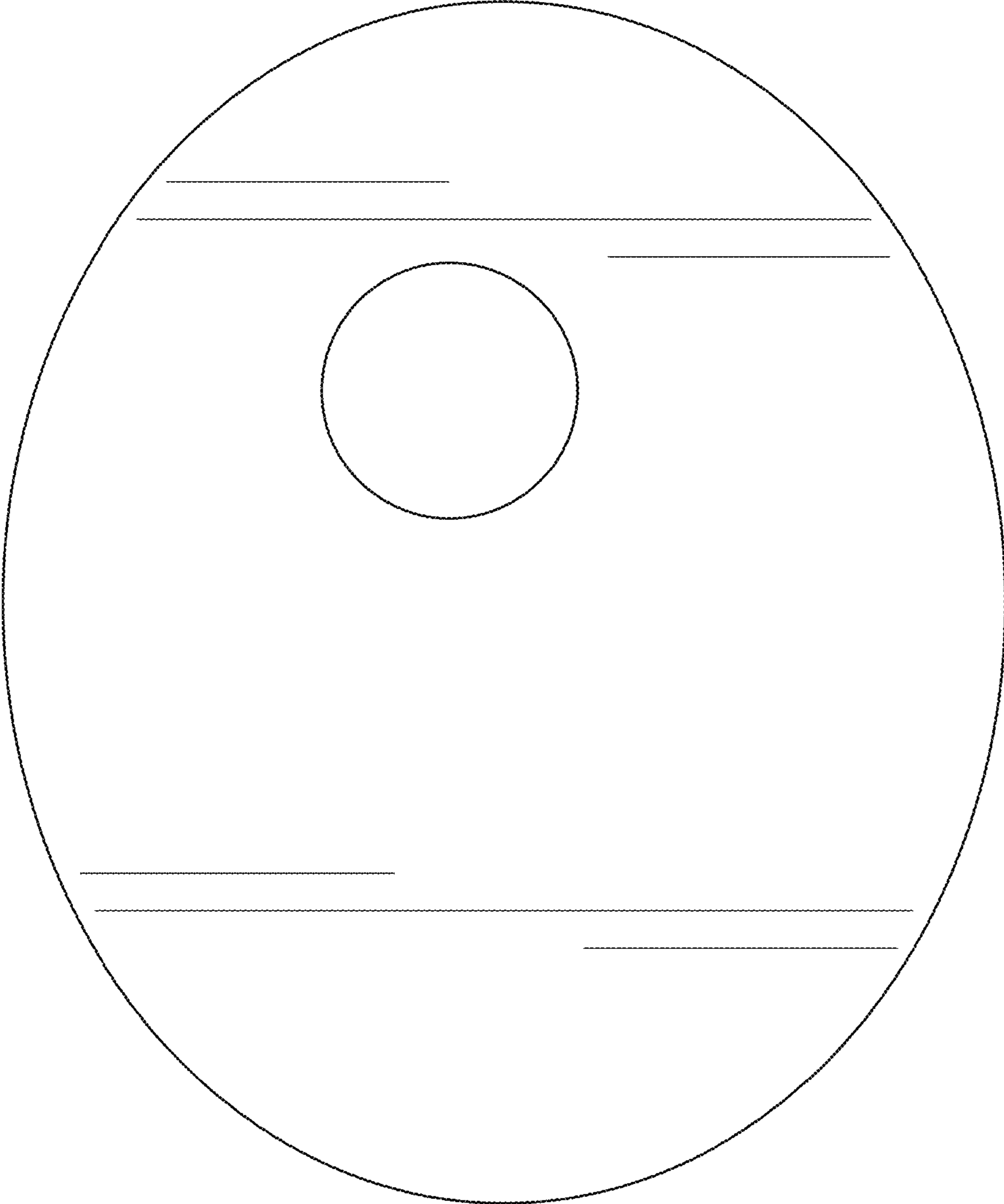


FIG. 3

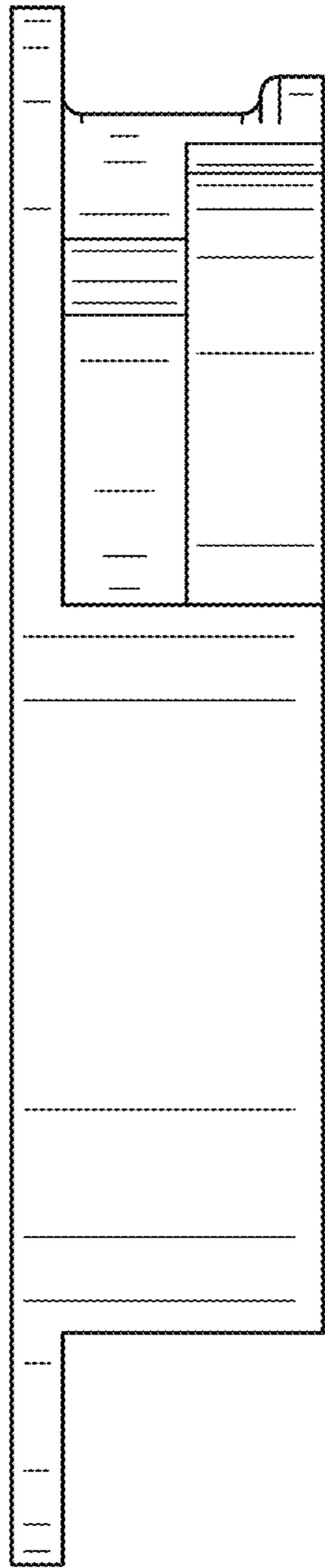


FIG. 4

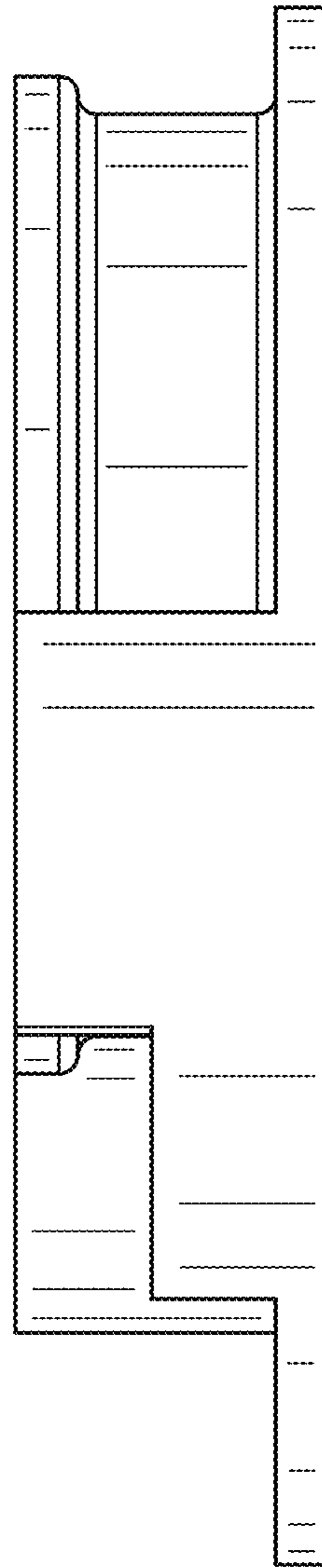


FIG. 5

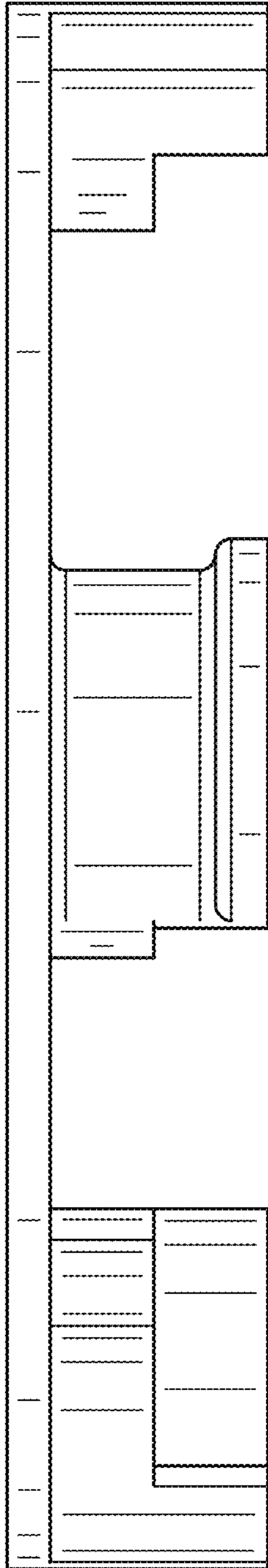


FIG. 6

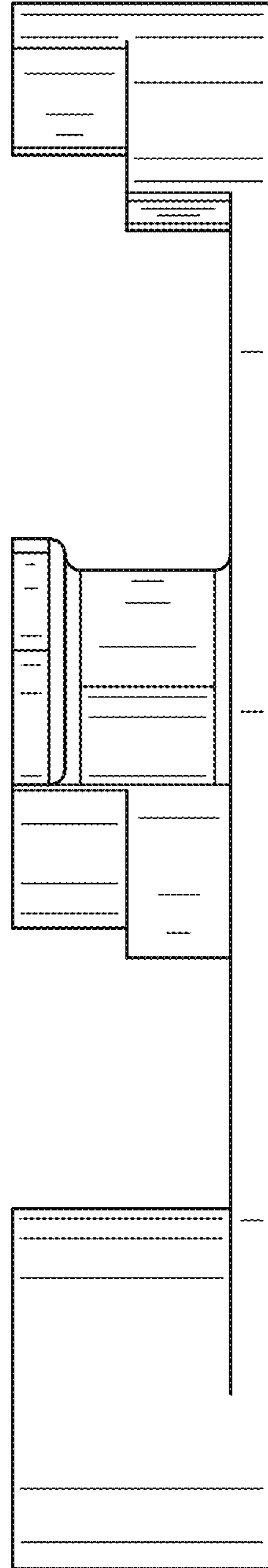


FIG. 7

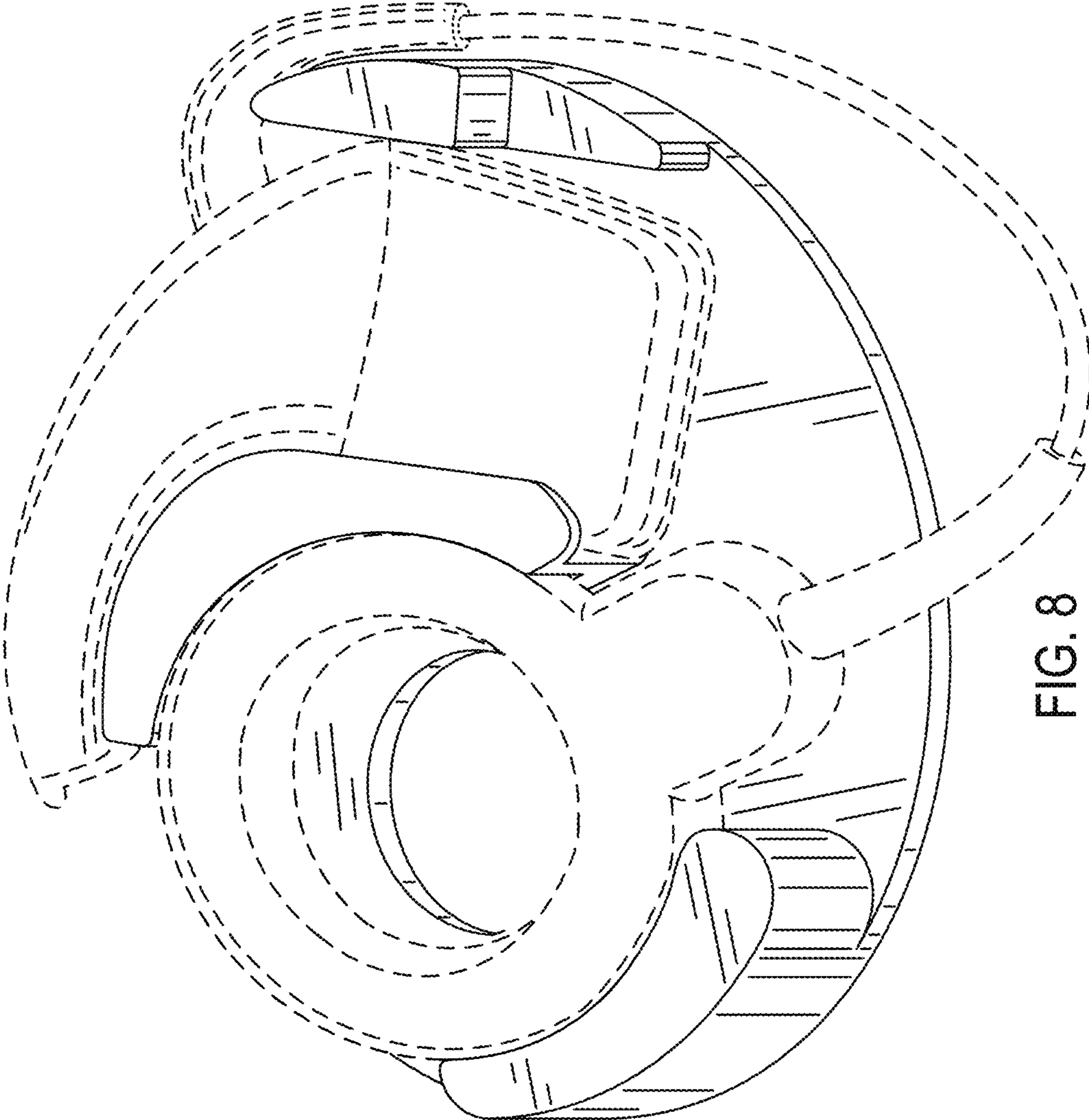


FIG. 8