

US00D778446S

(12) **United States Design Patent** (10) **Patent No.:** **US D778,446 S**
Kumar (45) **Date of Patent:** **** Feb. 7, 2017**

(54) **SPLINT**
(71) Applicant: **Pranesh Kumar**, Auckland (NZ)
(72) Inventor: **Pranesh Kumar**, Auckland (NZ)
(**) Term: **15 Years**
(21) Appl. No.: **29/565,428**
(22) Filed: **May 20, 2016**

Related U.S. Application Data

(62) Division of application No. 29/511,863, filed on Dec. 15, 2014, now Pat. No. Des. 759,251.

Foreign Application Priority Data

Jun. 13, 2014 (NZ) 418942
(51) **LOC (10) Cl.** **24-00**
(52) **U.S. Cl.**
USPC **D24/171**
(58) **Field of Classification Search**
USPC D24/171, 172, 185, 155, 192, 140, 133;
602/16, 12, 21, 20, 27, 22; 606/88;
128/898
CPC A61F 13/04; A61F 5/0123; A61F 5/0118;
A61F 5/05875; A61F 5/0111; A61B
17/155; A61B 18/1492
See application file for complete search history.

References Cited

U.S. PATENT DOCUMENTS

6,159,216 A * 12/2000 Burkinshaw A61B 17/1735
606/88
6,502,577 B1 * 1/2003 Bonutti A61F 5/013
128/898

D623,292 S * 9/2010 Kubota D24/140
D638,541 S * 5/2011 Claypool D24/133
D646,388 S * 10/2011 Habegger D24/140
D649,634 S * 11/2011 May D24/133
8,246,561 B1 * 8/2012 Agee A61B 17/8866
128/845
D696,406 S * 12/2013 De Santis D24/171
D717,433 S * 11/2014 Samani D24/155
D717,961 S * 11/2014 Rupert D24/192
D720,459 S * 12/2014 Faux D24/171
D725,774 S * 3/2015 Lubensky D24/140
2007/0167893 A1 * 7/2007 Frisbie A61F 5/0102
602/12
2007/0219475 A1 * 9/2007 Bonutti A61F 5/0127
602/16
2009/0054820 A1 * 2/2009 Weltner A61F 5/013
602/21
2009/0287123 A1 * 11/2009 Hoffman A61F 5/05866
602/21
2012/0101421 A1 * 4/2012 Albrecht A61F 5/013
602/20

(Continued)

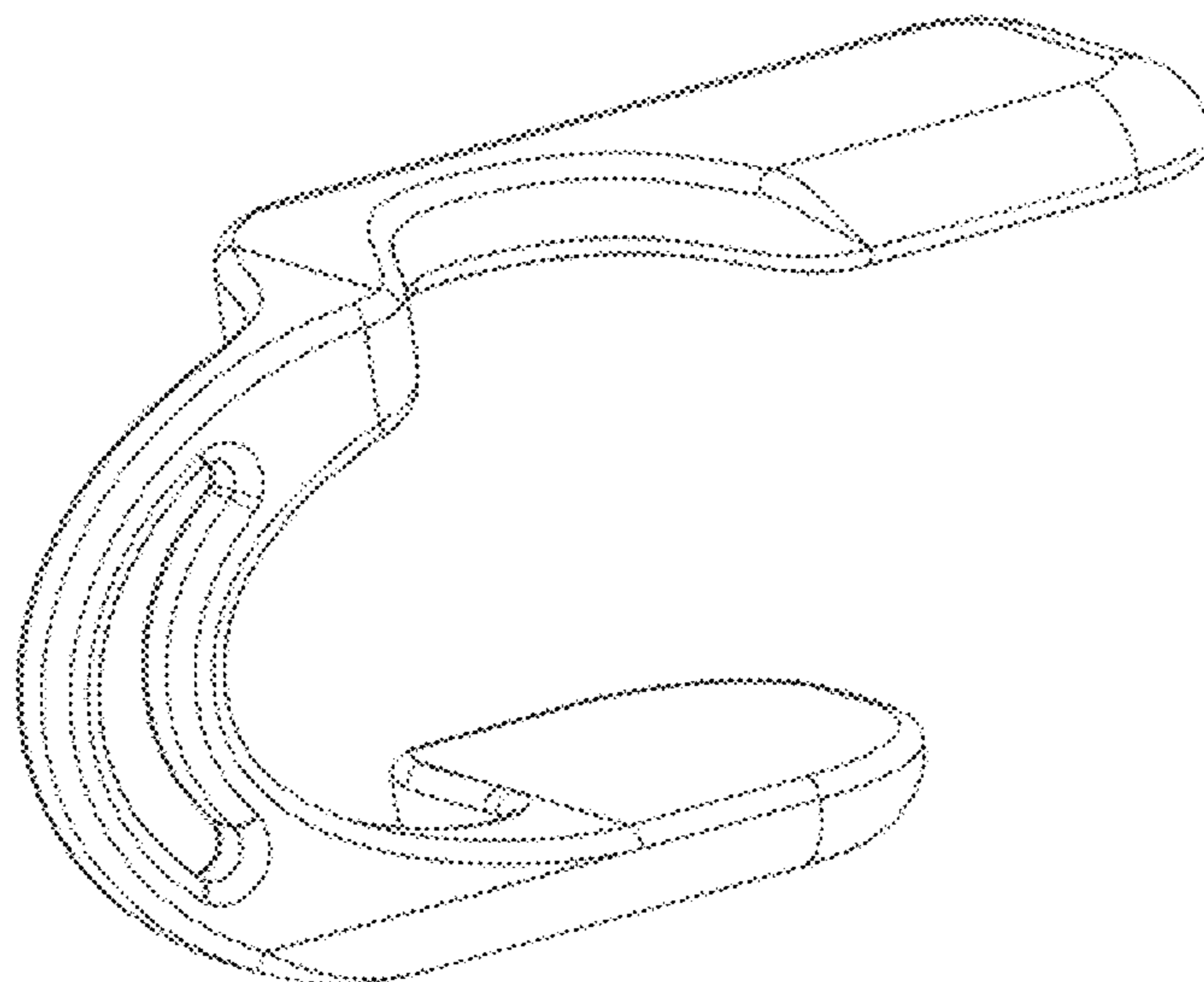
Primary Examiner — Rhea Shields
(74) *Attorney, Agent, or Firm* — Greer, Burns & Crain,
Ltd.

(57) **CLAIM**
The ornamental design for a splint, as shown and described.

DESCRIPTION

FIG. 1 is a first top perspective view of the present splint;
FIG. 2 is a second top perspective view of same;
FIG. 3 is a top view of the present splint;
FIG. 4 is a bottom view of same;
FIG. 5 is a left side view of the present splint;
FIG. 6 is a right side view of the present splint;
FIG. 7 is a front view of the present splint; and,
FIG. 8 is a rear view of the present splint.

1 Claim, 8 Drawing Sheets



(56)

References Cited

U.S. PATENT DOCUMENTS

2012/0143112 A1* 6/2012 Tomiyama A61F 5/0125
602/27
2012/0296248 A1* 11/2012 Wayd A61F 5/0125
602/16

* cited by examiner

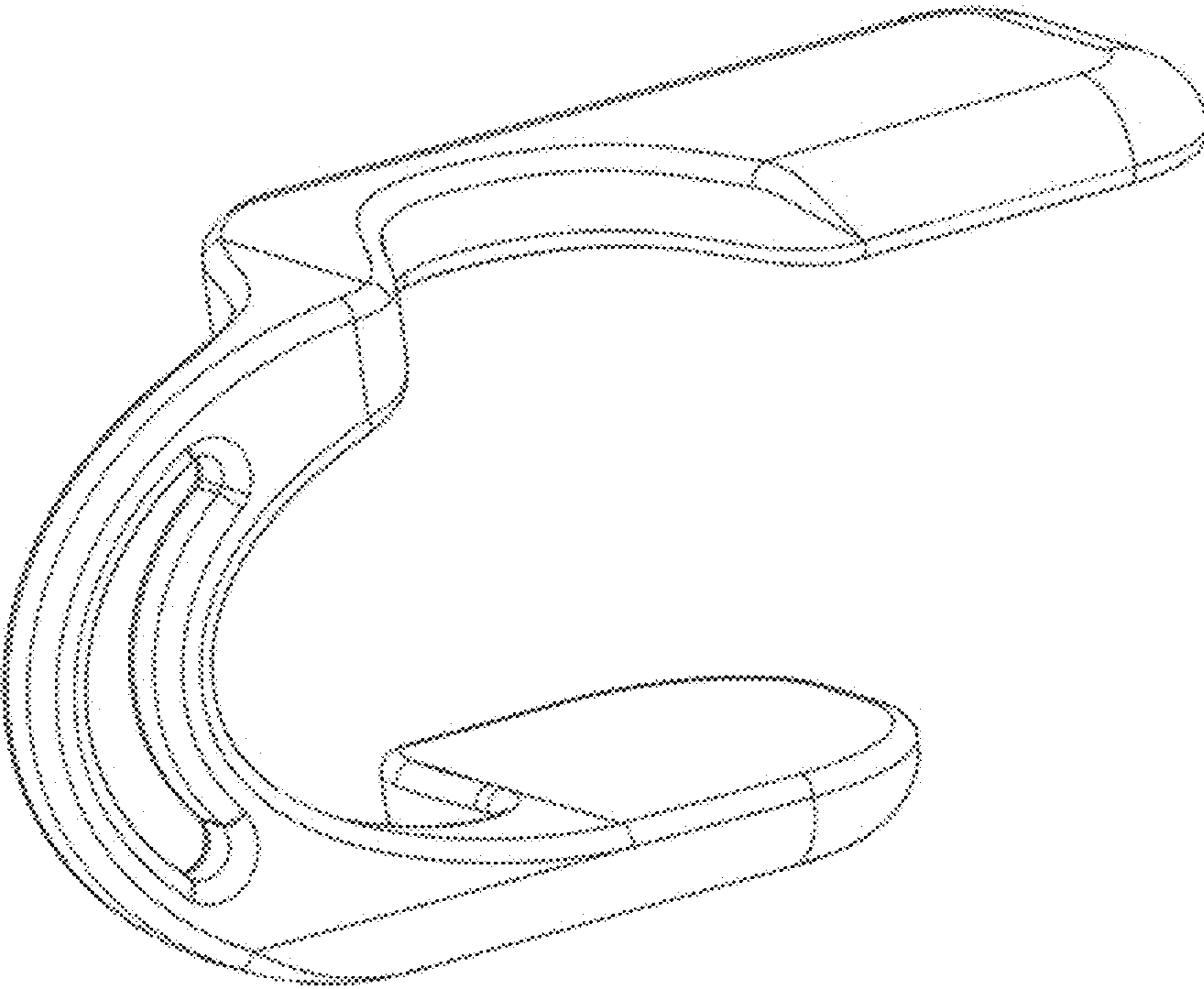


FIG. 1

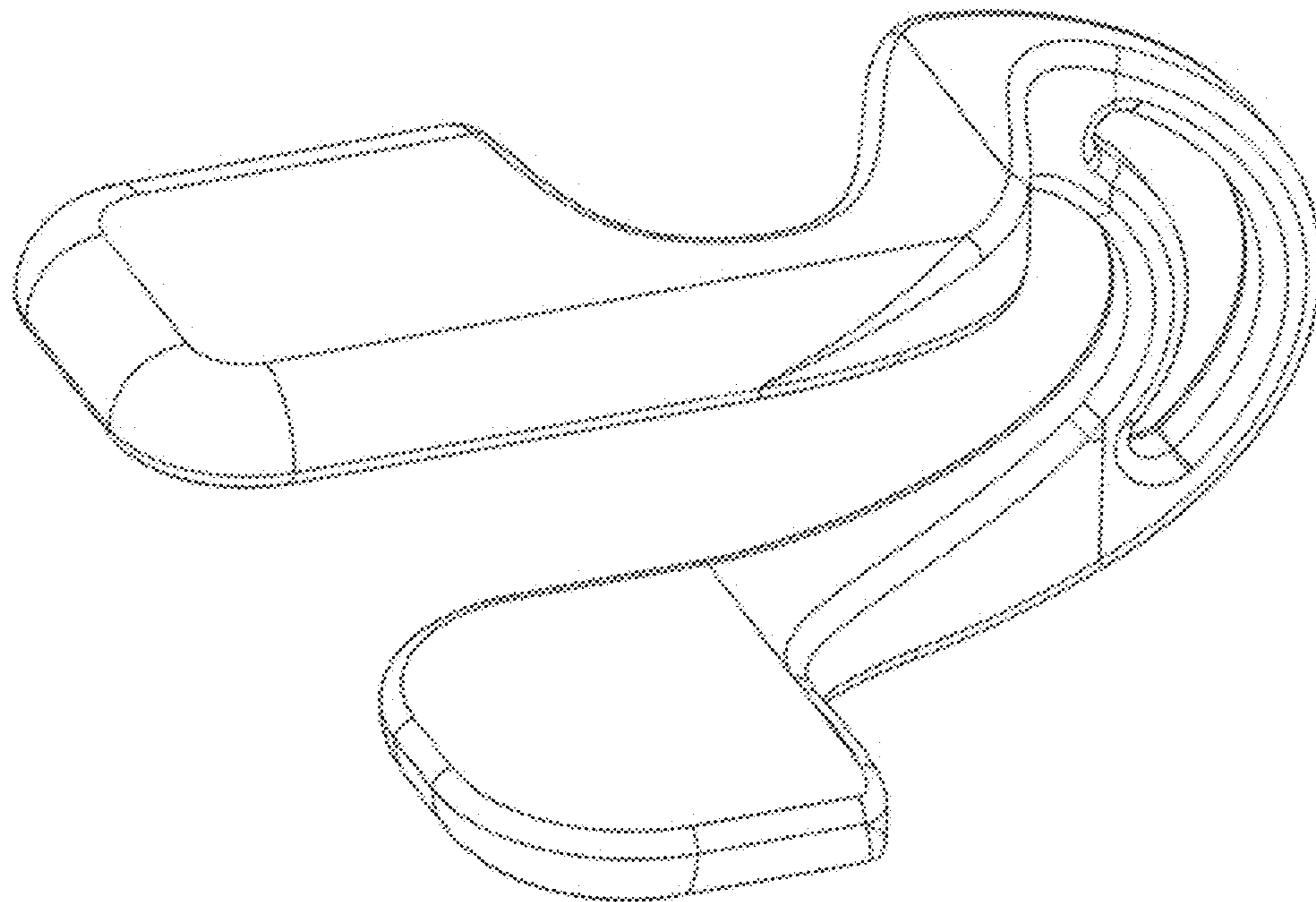


FIG. 2

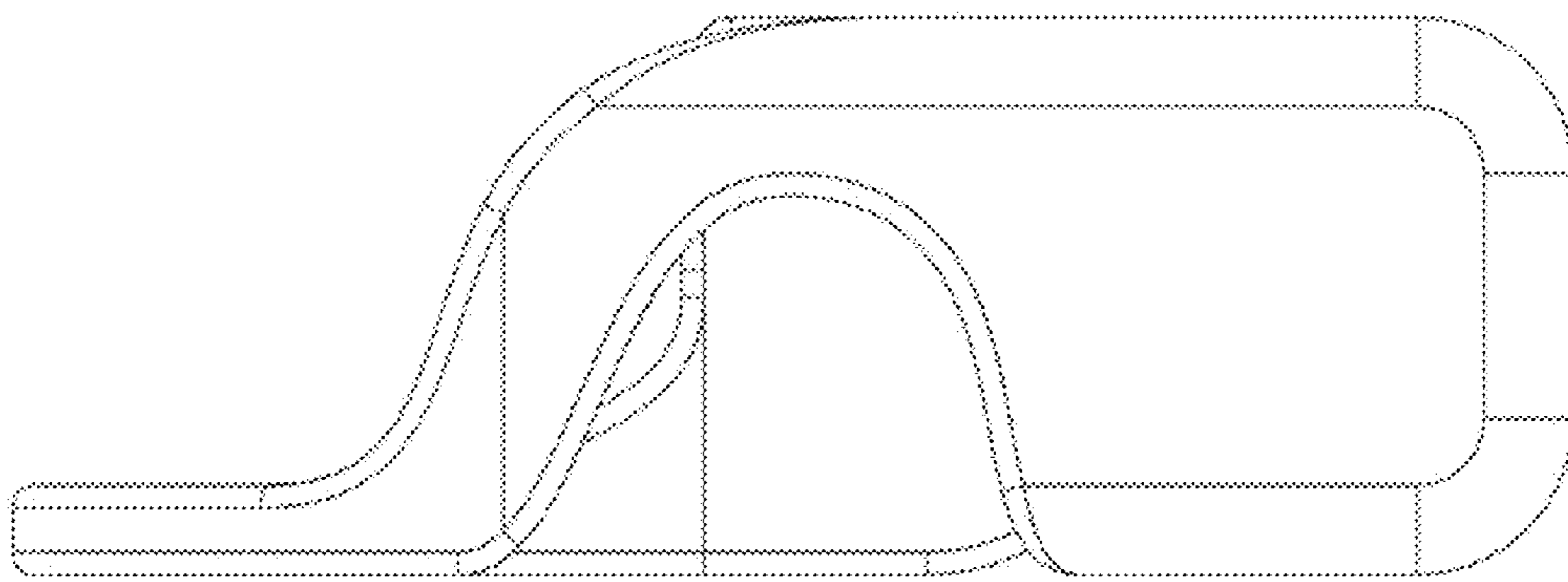


FIG. 3

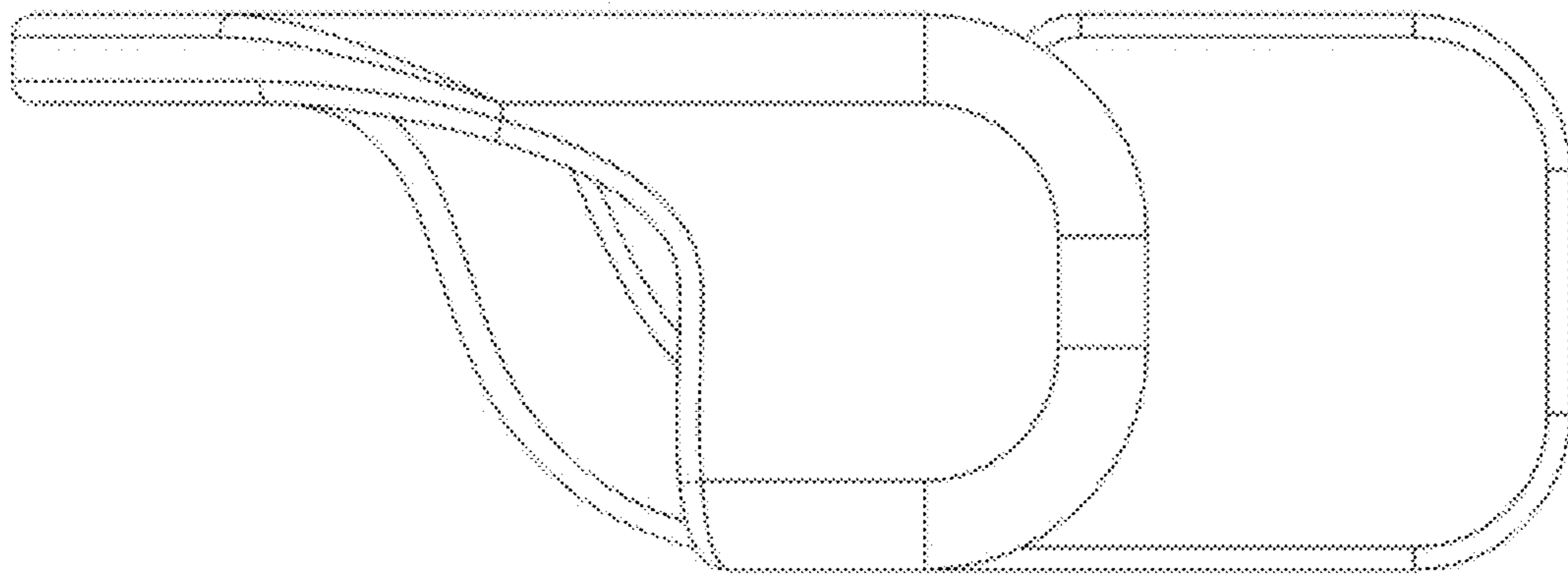


FIG. 4

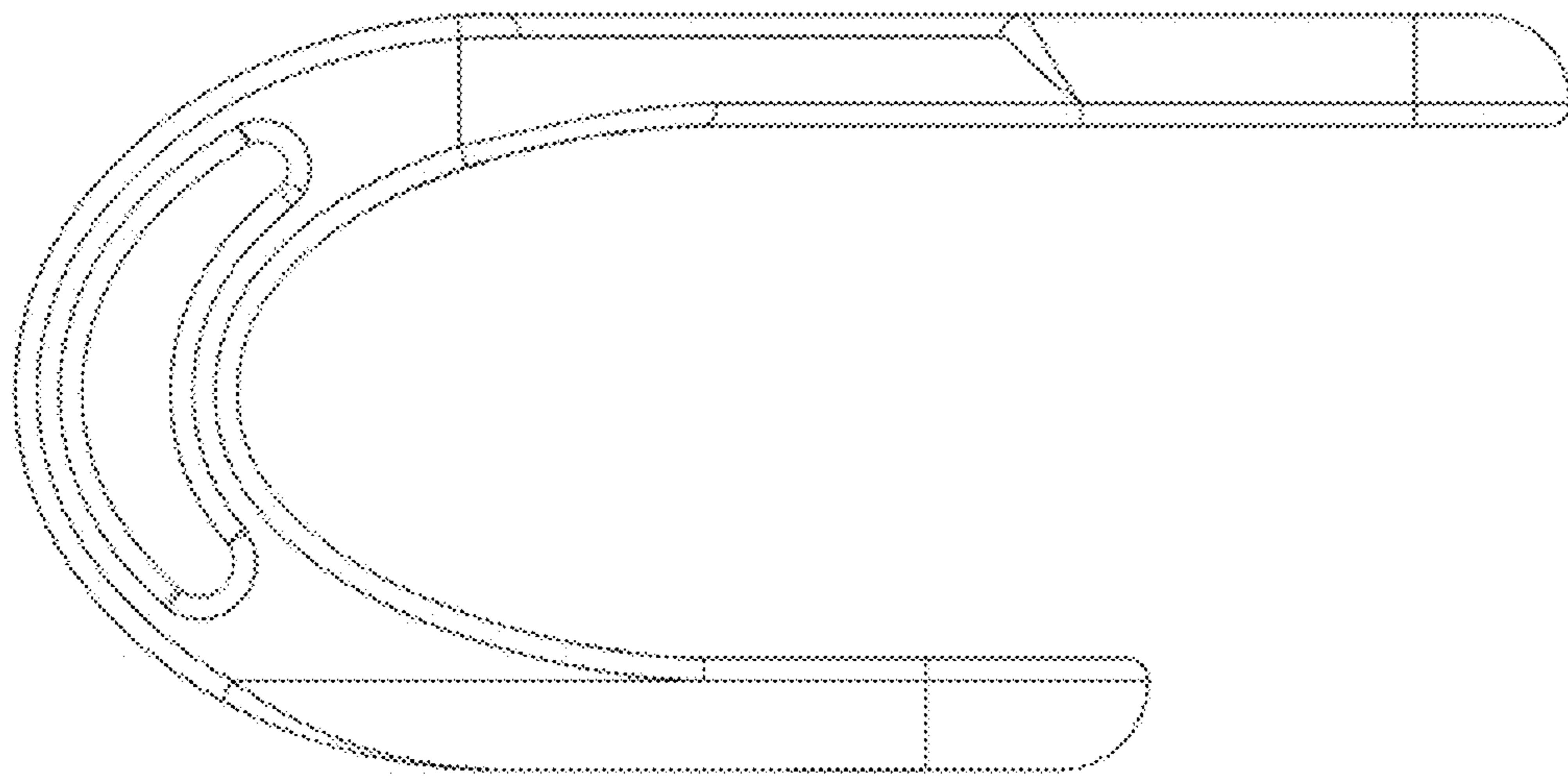


FIG. 5

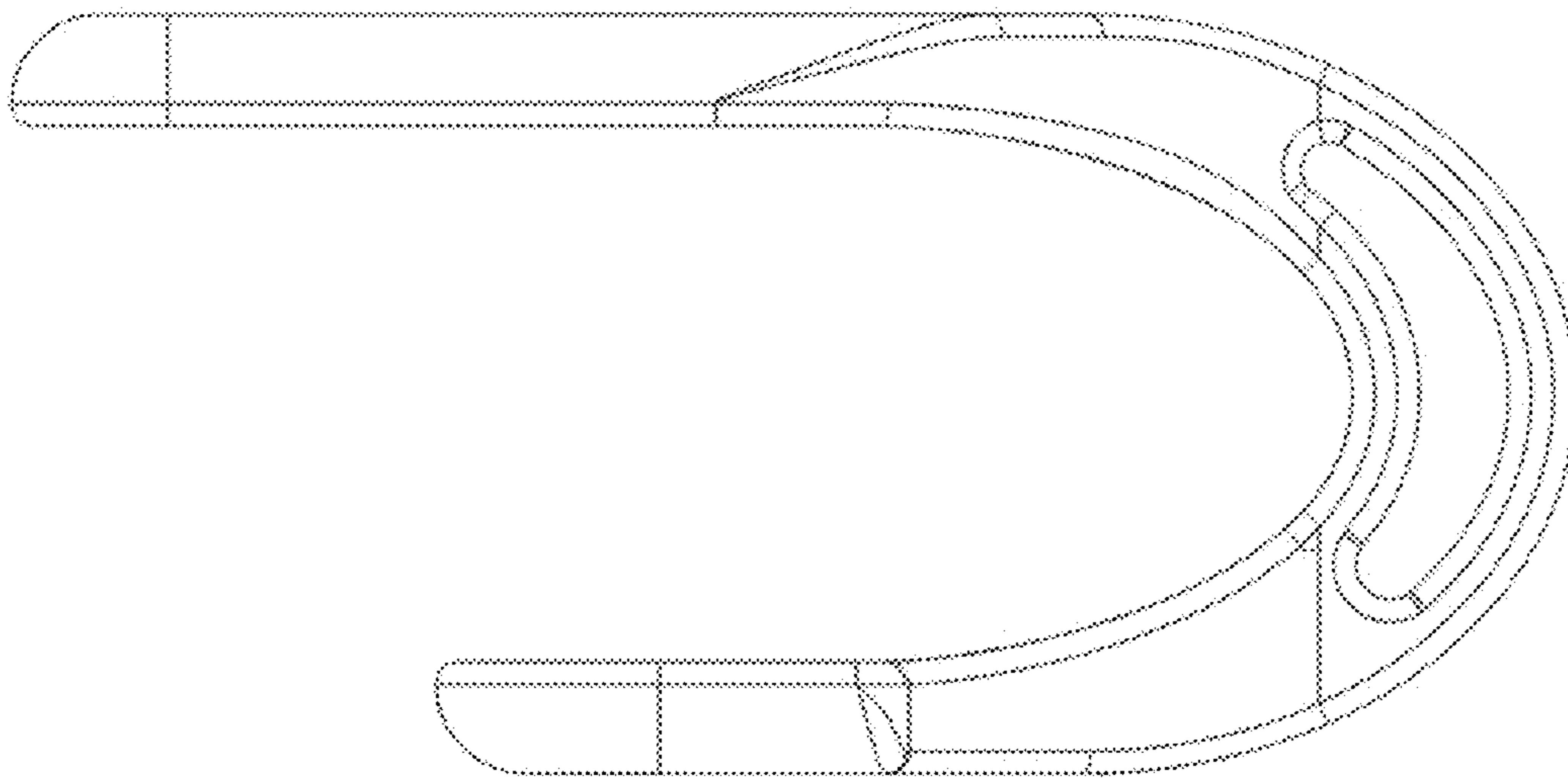


FIG. 6

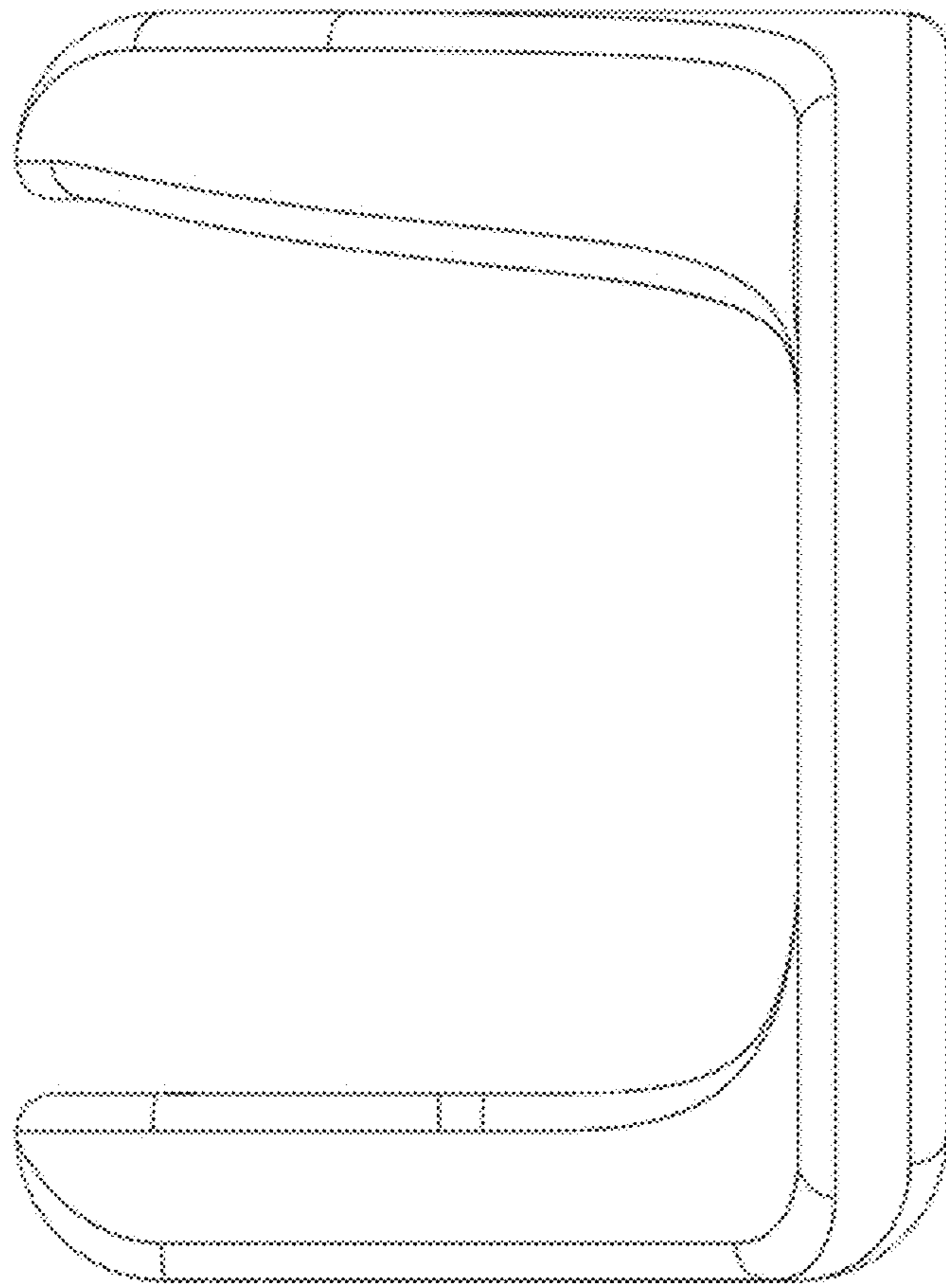


FIG. 7

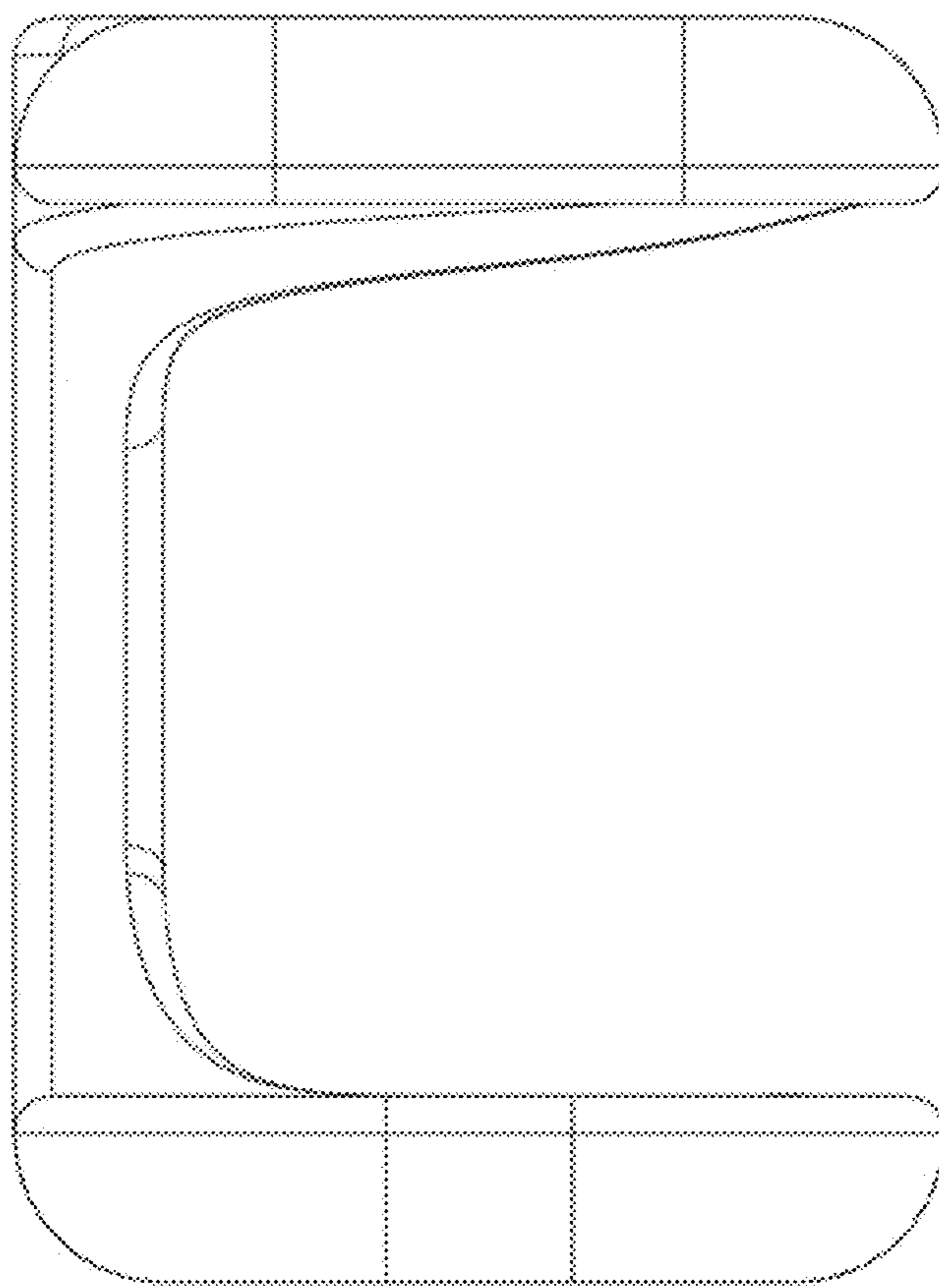


FIG. 8