



US00D778443S

(12) **United States Design Patent** (10) **Patent No.:** **US D778,443 S**  
**Brannon** (45) **Date of Patent:** **\*\* Feb. 7, 2017**

(54) **BONE CORING TREPHINE**

(71) Applicant: **James Brannon**, Overland Park, KS  
(US)

(72) Inventor: **James Brannon**, Overland Park, KS  
(US)

(\*\*) Term: **14 Years**

(21) Appl. No.: **29/522,520**

(22) Filed: **Mar. 31, 2015**

(51) **LOC (10) Cl.** ..... **24-02**

(52) **U.S. Cl.**  
USPC ..... **D24/147**

(58) **Field of Classification Search**  
USPC ..... D24/133, 146, 147, 145; D15/139;  
606/79-81, 84-87, 180  
CPC ..... A61B 17/3421; A61B 2017/345;  
A61B 2017/3452; A61B  
2017/3437; A61B 17/34; A61B  
2017/3407; A61B 2017/34  
See application file for complete search history.

(56) **References Cited**

**U.S. PATENT DOCUMENTS**

4,487,209	A *	12/1984	Mehl	.....	A61B 10/025 600/567
4,513,754	A *	4/1985	Lee	.....	A61B 10/0283 600/566
5,057,082	A *	10/1991	Burchette, Jr.	....	A61B 17/3417 604/164.06
5,352,206	A *	10/1994	Cushieri	.....	A61B 5/03 604/158
5,423,823	A *	6/1995	Schmieding	.....	A61F 2/08 606/179
5,484,437	A *	1/1996	Michelson	.....	A61B 17/1671 128/898

(Continued)

**OTHER PUBLICATIONS**

U.S. Appl. No. 10/928,553, filed Aug. 26, 2004, James Kevin Brannon.

(Continued)

*Primary Examiner* — Lakiya Rogers  
*Assistant Examiner* — Carissa C Fitts  
(74) *Attorney, Agent, or Firm* — Arthur K. Shaffer;  
Intellectual Property Center, LLC

(57) **CLAIM**

The ornamental design for a bone coring trephine, as shown and described.

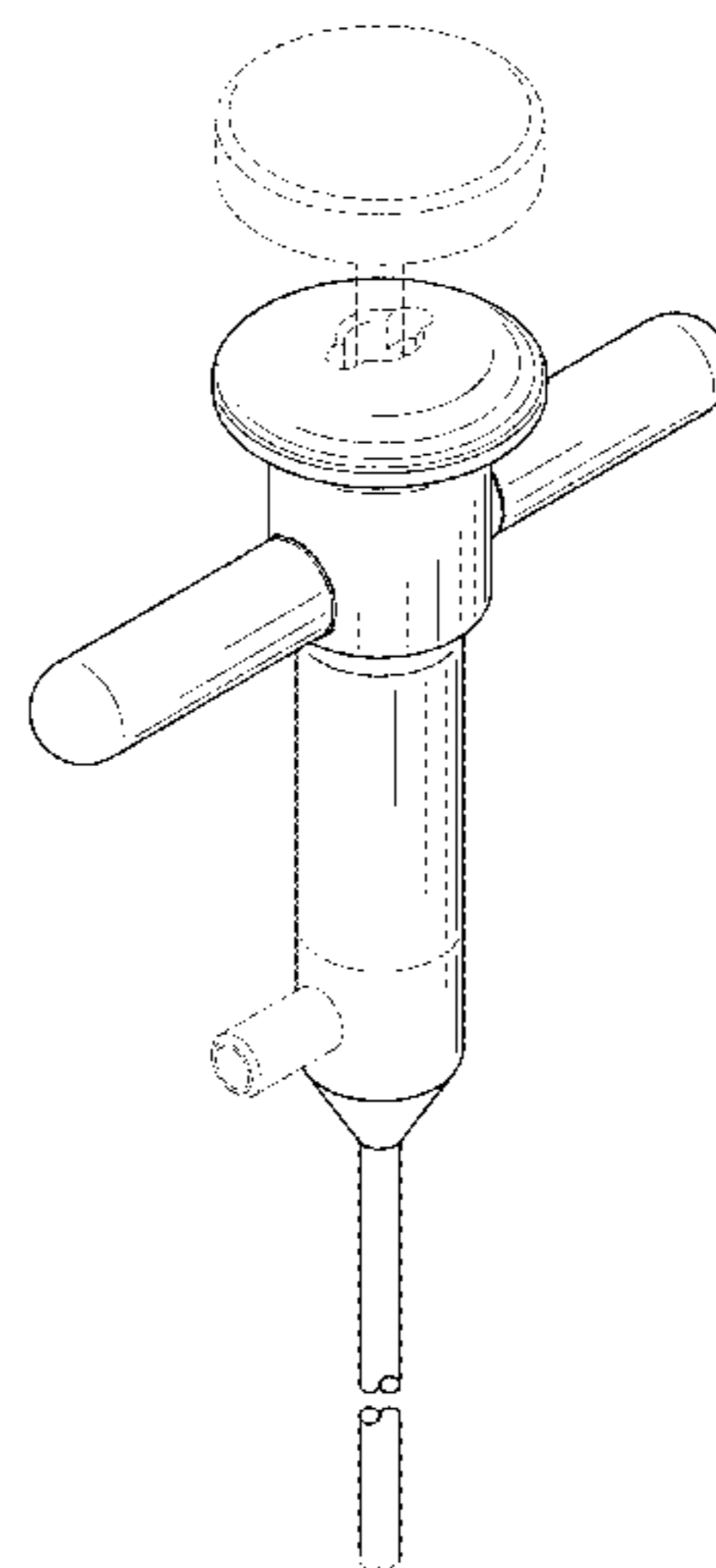
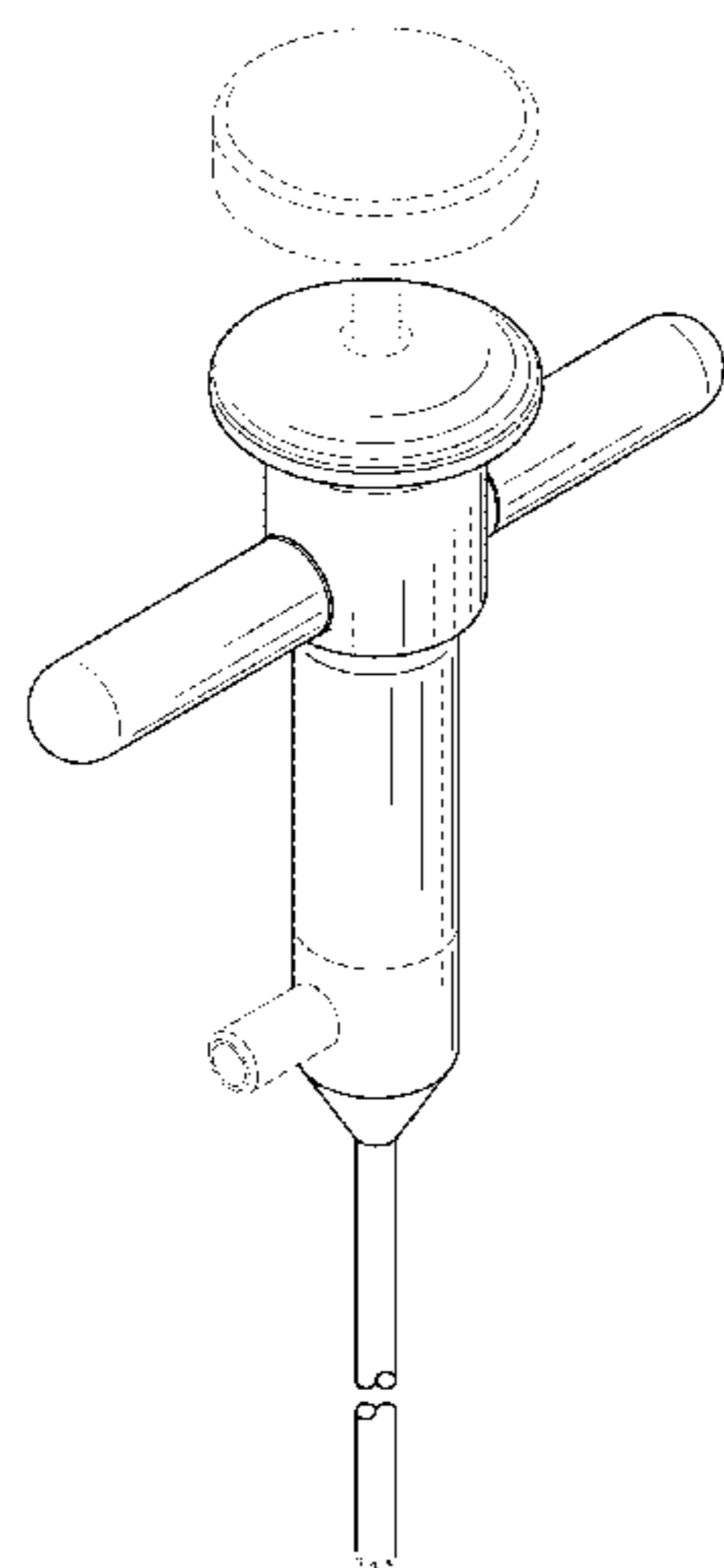
**DESCRIPTION**

FIG. 1 is a right side perspective view of a bone coring trephine in accordance with the present invention in receipt of an exemplary instrument;  
FIG. 2 is a right side elevation thereof;  
FIG. 3 is a front elevation thereof;  
FIG. 4 is a rear elevation thereof;  
FIG. 5 is a top plan view thereof;  
FIG. 6 is a bottom plan view thereof;  
FIG. 7 is a right side perspective view of an alternative embodiment of the bone coring trephine in accordance with an alternative embodiment of the present invention in receipt of an exemplary instrument;  
FIG. 8 is a right side elevation thereof;  
FIG. 9 is a front elevation thereof;  
FIG. 10 is a rear elevation thereof;  
FIG. 11 is a top plan view thereof; and,  
FIG. 12 is a bottom plan view thereof.

The broken line showing of an instrument in FIGS. 1 and 7 represents environment. All other broken lines represent portions of the article not claimed. The broken lines form no part of the claimed design.

The bone coring trephine is shown with a symbolic break in its length, with the understanding that the portions of the device not shown in the drawings form no part of the claim design.

**1 Claim, 6 Drawing Sheets**



(56)

References Cited

U.S. PATENT DOCUMENTS

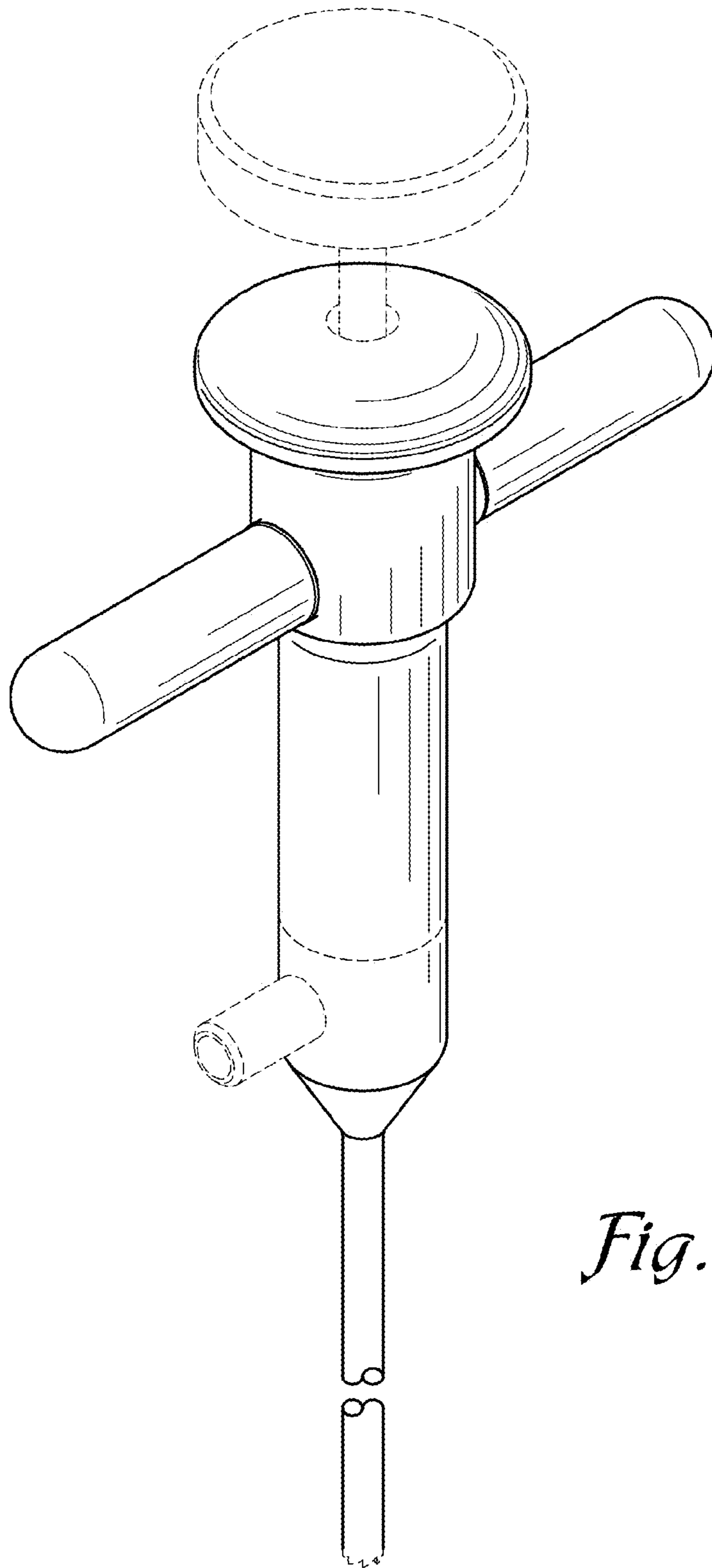
D382,961 S \* 8/1997 Koros ..... D24/146  
 5,931,841 A \* 8/1999 Ralph ..... A61B 17/1659  
 407/18  
 D426,635 S \* 6/2000 Haberland ..... D24/146  
 D429,331 S \* 8/2000 Koros ..... D24/135  
 D449,887 S \* 10/2001 Haberland ..... D24/146  
 D615,200 S \* 5/2010 Hahn ..... D24/133  
 RE42,757 E \* 9/2011 Kuslich ..... 408/156  
 D692,133 S \* 10/2013 Steinwachs ..... D24/146  
 D699,342 S \* 2/2014 Suzuki ..... D24/114  
 D724,200 S 3/2015 Brannon  
 D744,649 S \* 12/2015 Brannon ..... D24/146  
 D748,766 S 2/2016 Brannon  
 D748,788 S \* 2/2016 Brannon ..... D24/146  
 D749,217 S 2/2016 Brannon  
 D749,728 S 2/2016 Brannon  
 2003/0055431 A1 \* 3/2003 Brannon ..... A61B 17/1668  
 606/80  
 2003/0199879 A1 \* 10/2003 Spranza, III ..... A61B 10/025  
 606/79  
 2005/0049624 A1 \* 3/2005 Francese ..... A61B 17/3421  
 606/185  
 2009/0299371 A1 \* 12/2009 Steiner ..... A61B 17/1675  
 606/79  
 2014/0309641 A1 \* 10/2014 Bourque ..... A61B 17/1637  
 606/80

OTHER PUBLICATIONS

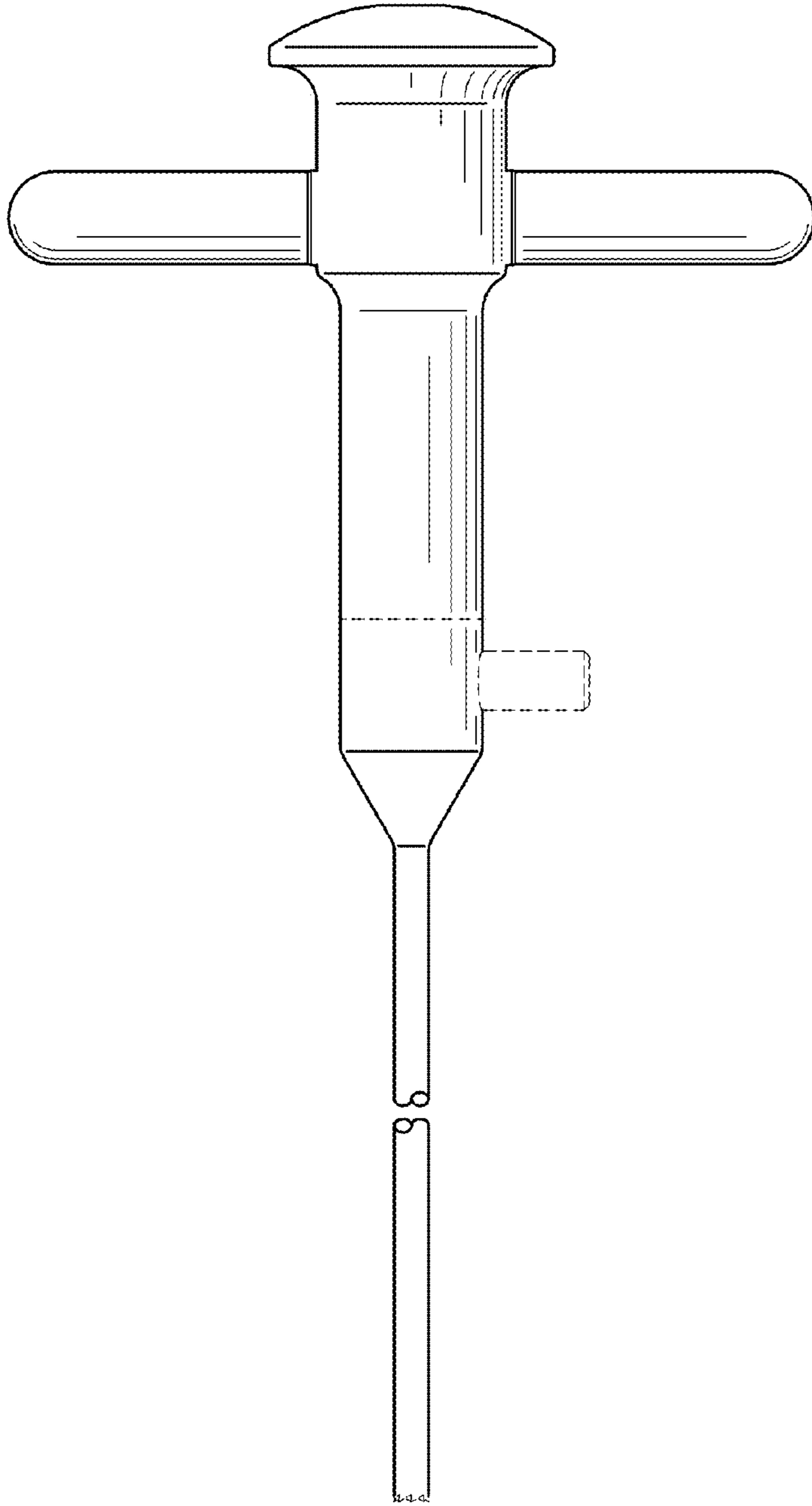
U.S. Appl. No. 11/970,246, filed Jan. 7, 2008, James K. Brannon.  
 U.S. Appl. No. 12/369,388, filed Feb. 11, 2009, James K. Brannon.  
 U.S. Appl. No. 12/181,205, filed Jul. 28, 2008, James K. Brannon.  
 U.S. Appl. No. 12/369,575, filed Feb. 11, 2009, James K. Brannon.  
 U.S. Appl. No. 12/706,706, filed Feb. 6, 2010, James K. Brannon.  
 U.S. Appl. No. 13/361,823, filed Jan. 30, 2012, James K. Brannon.  
 U.S. Appl. No. 61/170,508, filed apr. 17, 2009, James K. Brannon.

U.S. Appl. No. 61/253,068, filed Oct. 20, 2009, James K. Brannon.  
 U.S. Appl. No. 61/218,757, filed Jun. 19, 2008, James K. Brannon.  
 U.S. Appl. No. 29/340,631, filed Jul. 22, 2009, James K. Brannon.  
 U.S. Appl. No. 61/266,908, filed Dec. 4, 2009, James K. Brannon.  
 U.S. Appl. No. 61/266,900, filed Dec. 4, 2009, James K. Brannon.  
 U.S. Appl. No. 61/303,496, filed Feb. 11, 2010, James K. Brannon.  
 U.S. Appl. No. 61/303,508, filed Feb. 11, 2010, James K. Brannon.  
 U.S. Appl. No. 31/309,732, filed Mar. 2, 2010, James K. Brannon.  
 U.S. Appl. No. 61/319,166, filed Mar. 30, 2010, James K. Brannon.  
 U.S. Appl. No. 61/325,084, filed Apr. 16, 2010, James K. Brannon.  
 U.S. Appl. No. 61/325,102, filed Apr. 16, 2010, James K. Brannon.  
 U.S. Appl. No. 12/763,213, filed Apr. 20, 2010, James K. Brannon.  
 U.S. Appl. No. 12/820,133, filed Jun. 21, 2010, James K. Brannon.  
 U.S. Appl. No. 12/908,879, filed Oct. 21, 2010, James K. Brannon.  
 U.S. Appl. No. 12/961,487, filed Dec. 6, 2010, James K. Brannon.  
 U.S. Appl. No. 12/961,491, filed Dec. 6, 2010, James K. Brannon.  
 U.S. Appl. No. 12/986,064, filed Jan. 6, 2011, James K. Brannon.  
 U.S. Appl. No. 61/443,655, filed Feb. 16, 2011, James K. Brannon.  
 U.S. Appl. No. 61/444,025, filed Feb. 17, 2011, James K. Brannon.  
 U.S. Appl. No. 61/444,315, filed Feb. 18, 2011, James K. Brannon.  
 U.S. Appl. No. 61/645,327, filed May 23, 2012, James K. Brannon.  
 U.S. Appl. No. 29/398,708, filed Aug. 3, 2011, James K. Brannon.  
 U.S. Appl. No. 13/444,559, filed Apr. 11, 2012, James K. Brannon.  
 U.S. Appl. No. 13/039,191, filed Mar. 2, 2011, James K. Brannon.  
 U.S. Appl. No. 13/076,408, filed Mar. 30, 2011, James K. Brannon.  
 U.S. Appl. No. 13/089,306, filed Apr. 18, 2011, James K. Brannon.  
 U.S. Appl. No. 13/197,476, filed Aug. 3, 2011, James K. Brannon.  
 U.S. Appl. No. 29/445,846, filed Feb. 18, 2013, James K. Brannon.  
 U.S. Appl. No. 13/838,330, filed Mar. 15, 2010, James K. Brannon.  
 U.S. Appl. No. 29/449,726, filed Mar. 15, 2013, James K. Brannon.  
 U.S. Appl. No. 13/844,652, filed Mar. 15, 2013, James K. Brannon.  
 U.S. Appl. No. 29/449,929, filed Mar. 15, 2013, James K. Brannon.  
 U.S. Appl. No. 29/450,070, filed Mar. 15, 2013, James K. Brannon.  
 U.S. Appl. No. 61/839,152, filed Aug. 25, 2013, James K. Brannon.  
 U.S. Appl. No. 13/944,696, filed Jul. 17, 2013, James K. Brannon.  
 U.S. Appl. No. 61/891,836, filed Oct. 16, 2013, James K. Brannon.

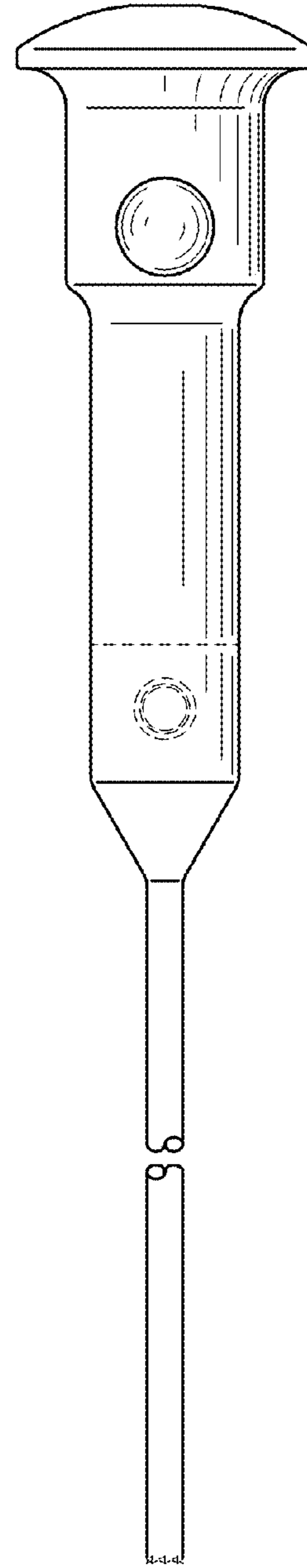
\* cited by examiner



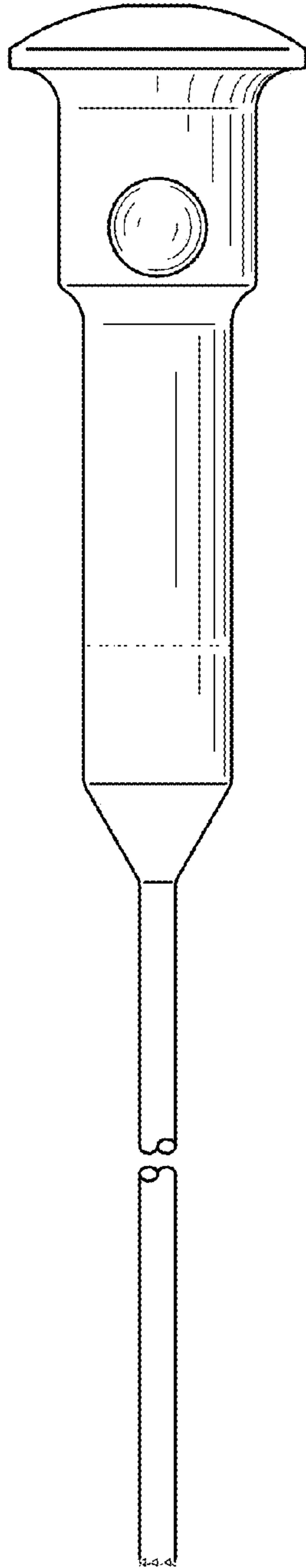
*Fig. 1*



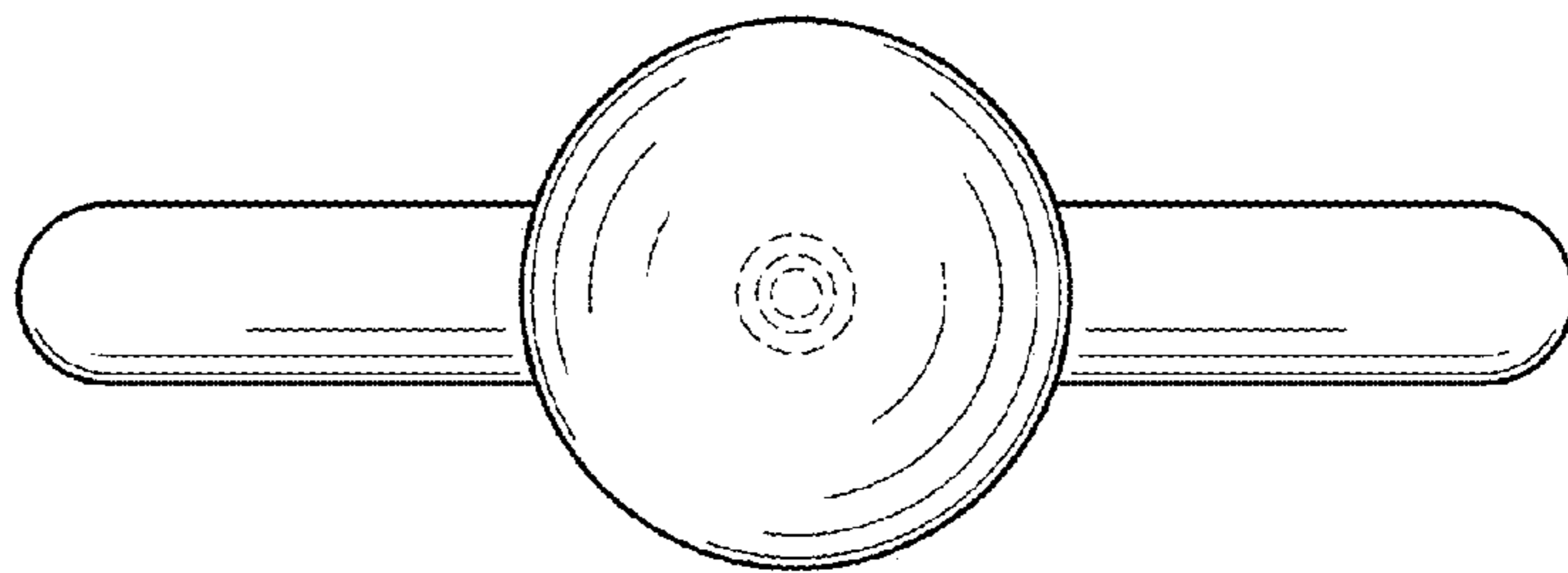
*Fig. 2*



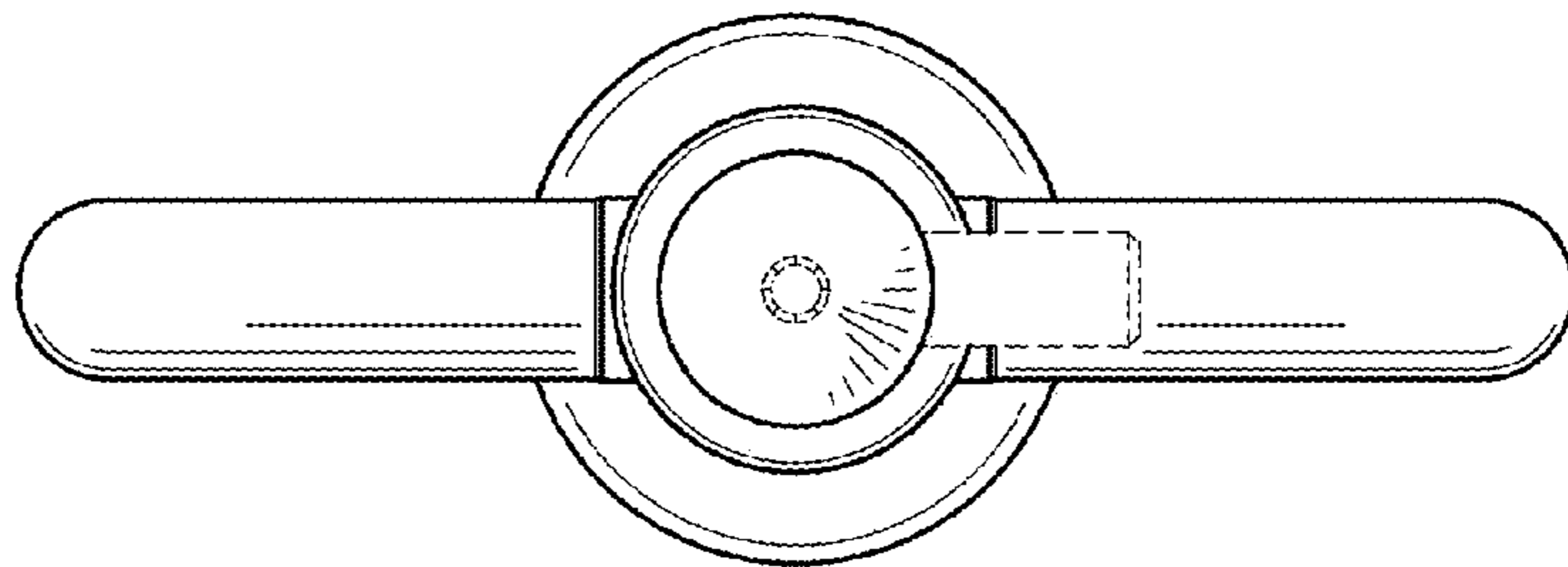
*Fig. 3*



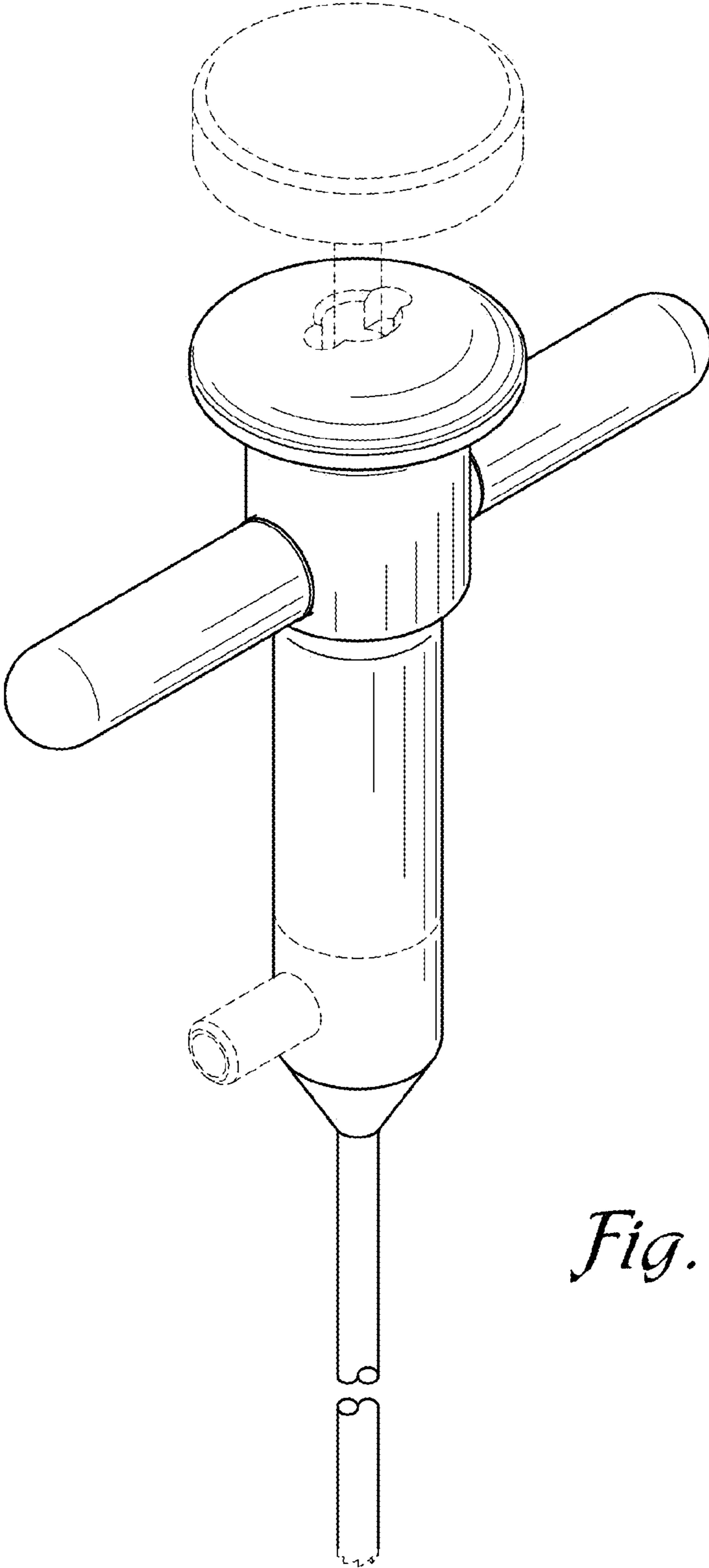
*Fig. 4*



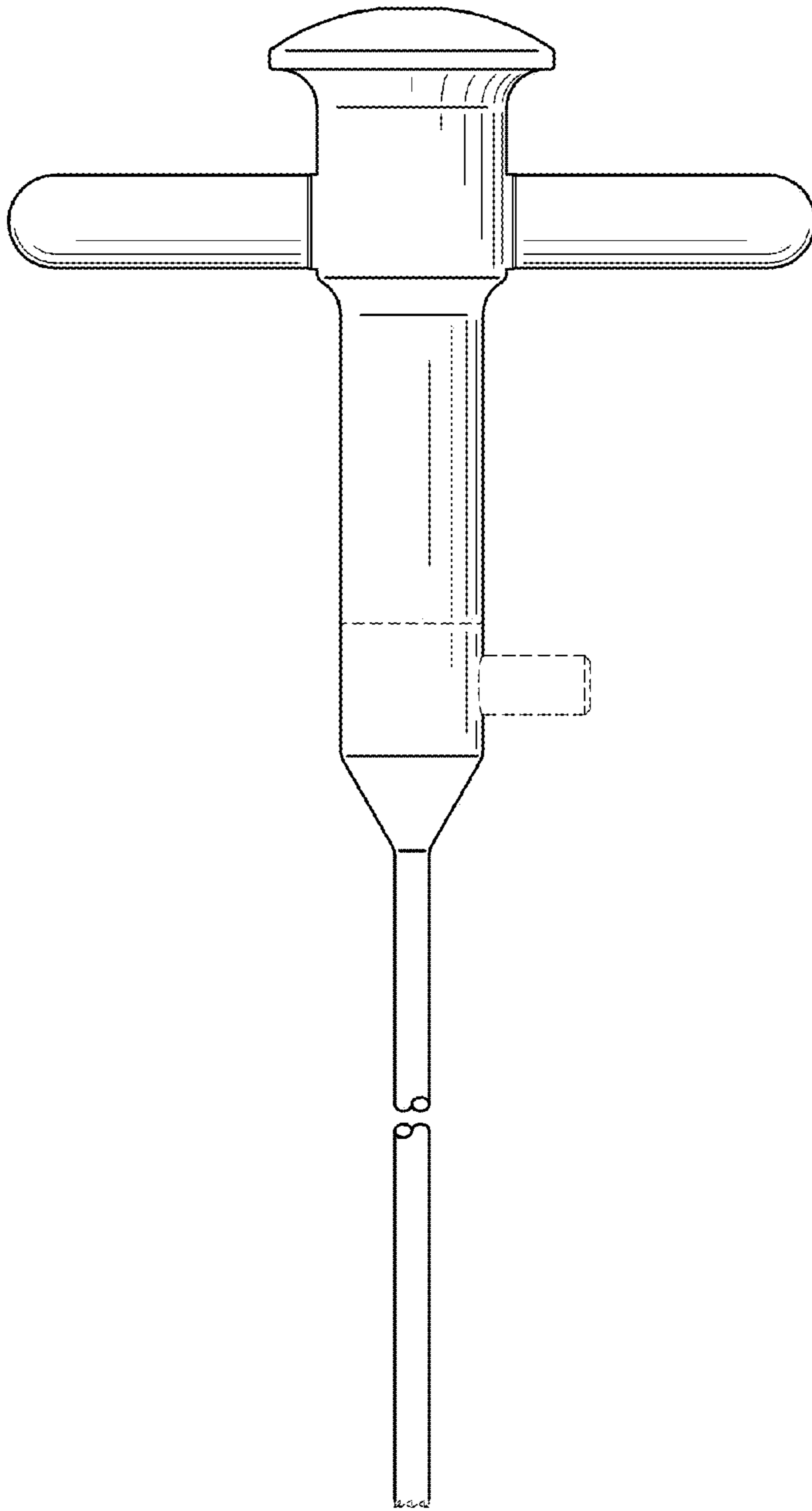
*Fig. 5*



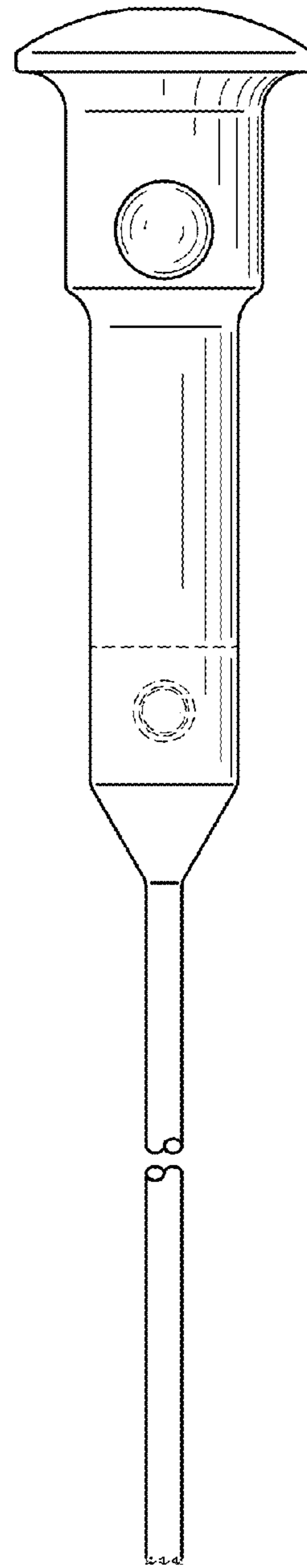
*Fig. 6*



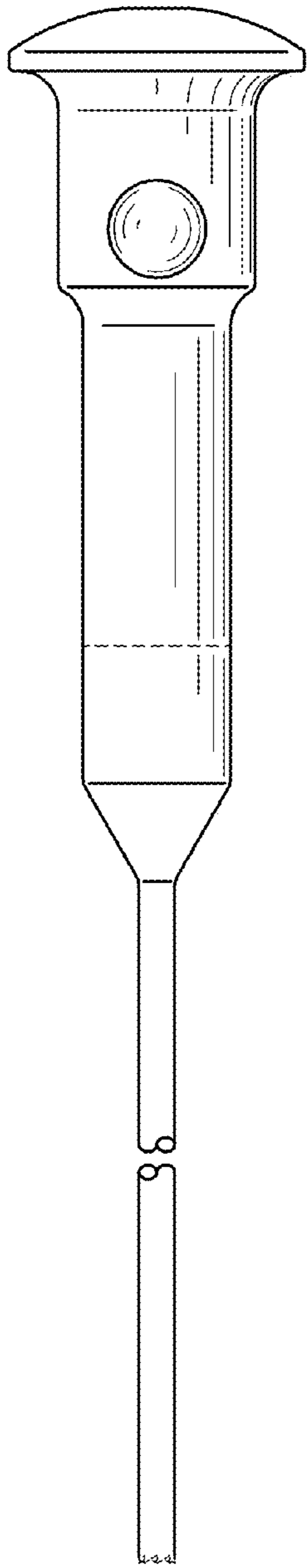
*Fig. 7*



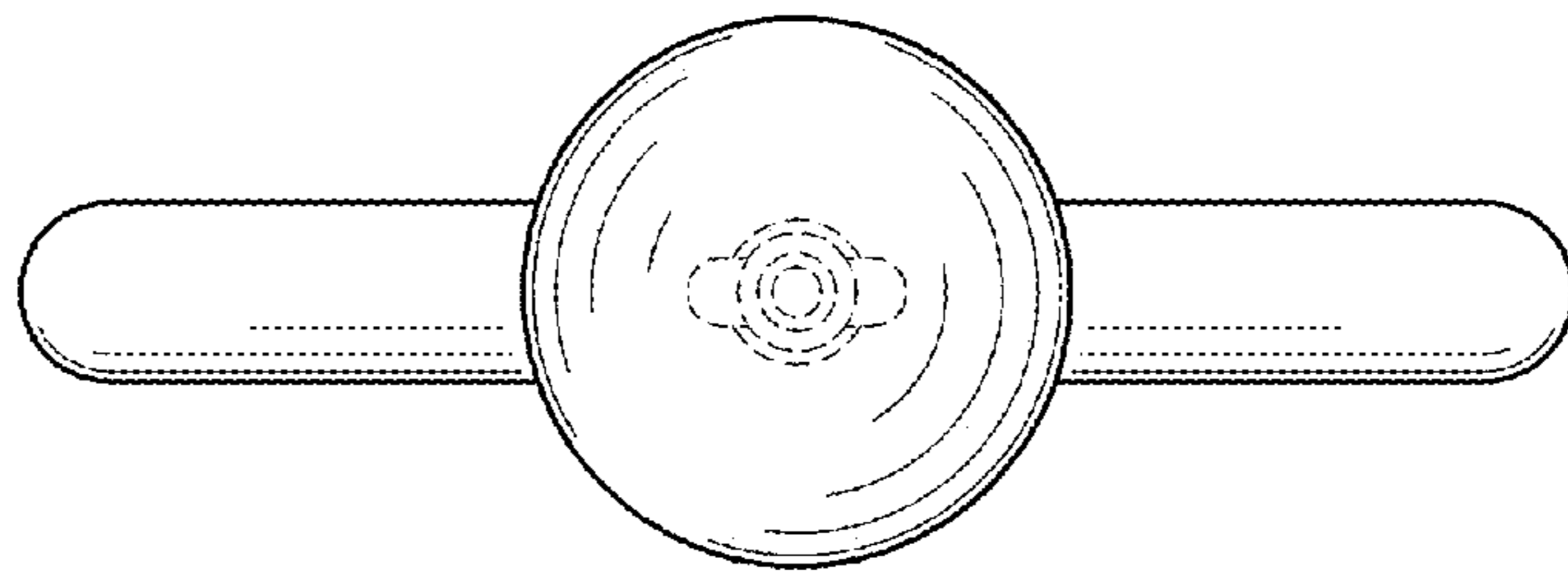
*Fig. 8*



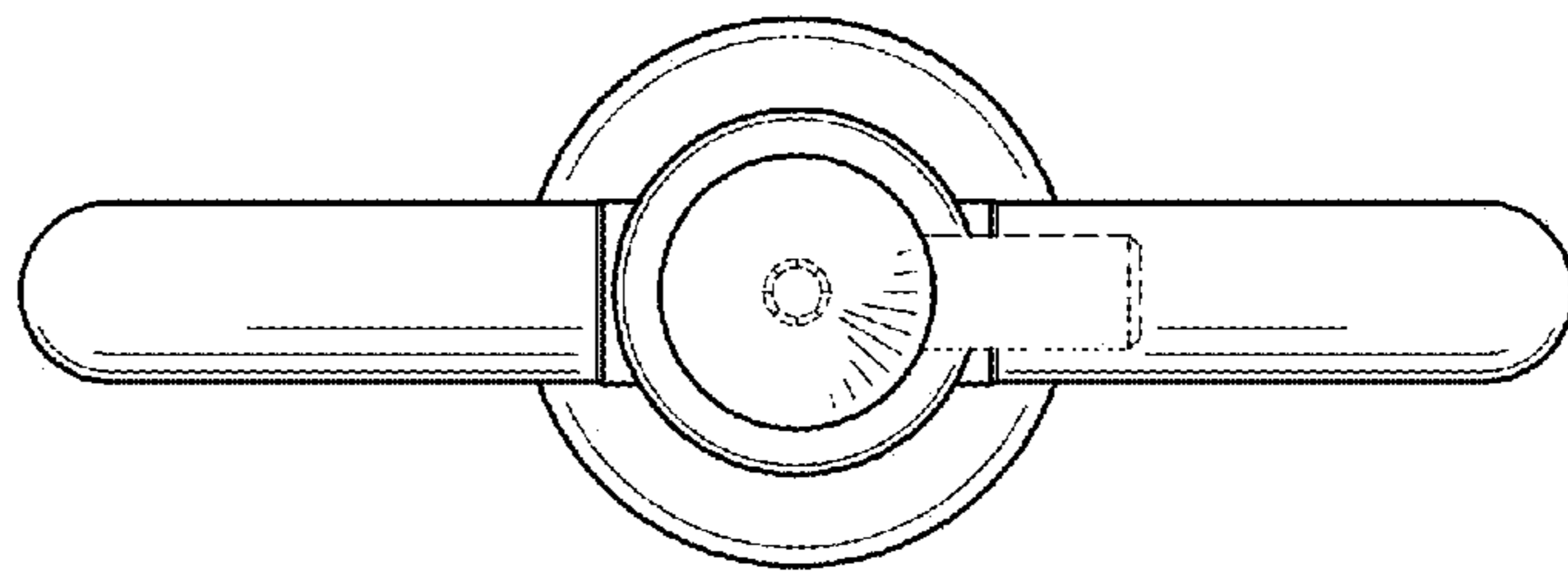
*Fig. 9*



*Fig. 10*



*Fig. 11*



*Fig. 12*