



US00D778442S

(12) **United States Design Patent**
Cornacchia

(10) **Patent No.:** **US D778,442 S**
(45) **Date of Patent:** **** Feb. 7, 2017**

(54) **BIPOLAR ELECTROSURGERY ACTUATOR SYSTEM**

(71) Applicant: **Bipad, LLC**, Point Lookout, NY (US)

(72) Inventor: **Louis Cornacchia**, Point Lookout, NY (US)

(73) Assignee: **BIPAD, LLC**, Point Lookout, NY (US)

(**) Term: **15 Years**

(21) Appl. No.: **29/546,223**

(22) Filed: **Nov. 19, 2015**

(51) **LOC (10) Cl.** **24-02**

(52) **U.S. Cl.**
USPC **D24/144**

(58) **Field of Classification Search**
USPC D24/144, 146-147, 143, 149
CPC A61B 18/1442; A61B 18/1405; A61B 18/1445; A61B 2018/00178; A61B 2018/00589; A61B 2018/00601; A61B 2018/00928; A61B 2018/1462
See application file for complete search history.

(56) **References Cited**

U.S. PATENT DOCUMENTS

4,552,143	A	11/1985	Lottick	
5,116,333	A	5/1992	Beane	
D425,201	S *	5/2000	Tetzlaff	D24/144
6,235,027	B1	5/2001	Herzon	
6,551,312	B2	4/2003	Zhang et al.	
6,569,163	B2	5/2003	Hata et al.	
6,747,218	B2	6/2004	Huseman et al.	
D562,978	S *	2/2008	Garito	D24/144
7,534,243	B1	5/2009	Chin et al.	
7,578,815	B2	8/2009	Howell	
7,695,470	B1	4/2010	Stewart et al.	

(Continued)

FOREIGN PATENT DOCUMENTS

EP 0834891 A2 4/1998
EP 1347705 B1 12/2005

(Continued)

OTHER PUBLICATIONS

International Search Report for PCT/US2015/033429 dated Aug. 25, 2015, 3 pp.
Written Opinion for PCT/US2015/033429 dated Aug. 25, 2015, 8 pp.

Primary Examiner — Wan Laymon

(74) *Attorney, Agent, or Firm* — David M. Quinlan, P.C.

(57) **CLAIM**

The ornamental design for a bipolar electrosurgery actuator system, as shown and described.

DESCRIPTION

FIG. 1 is a perspective view of a bipolar electrosurgery actuator system, showing my new design, with an actuator, a set of forceps integrated with the actuator, and an electrical connection extending from the actuator in a direction away from the forceps;

FIG. 2 is a top plan view thereof;

FIG. 3 is a bottom plan view thereof;

FIG. 4 is a right side elevational view thereof;

FIG. 5 is a left side elevational view thereof.

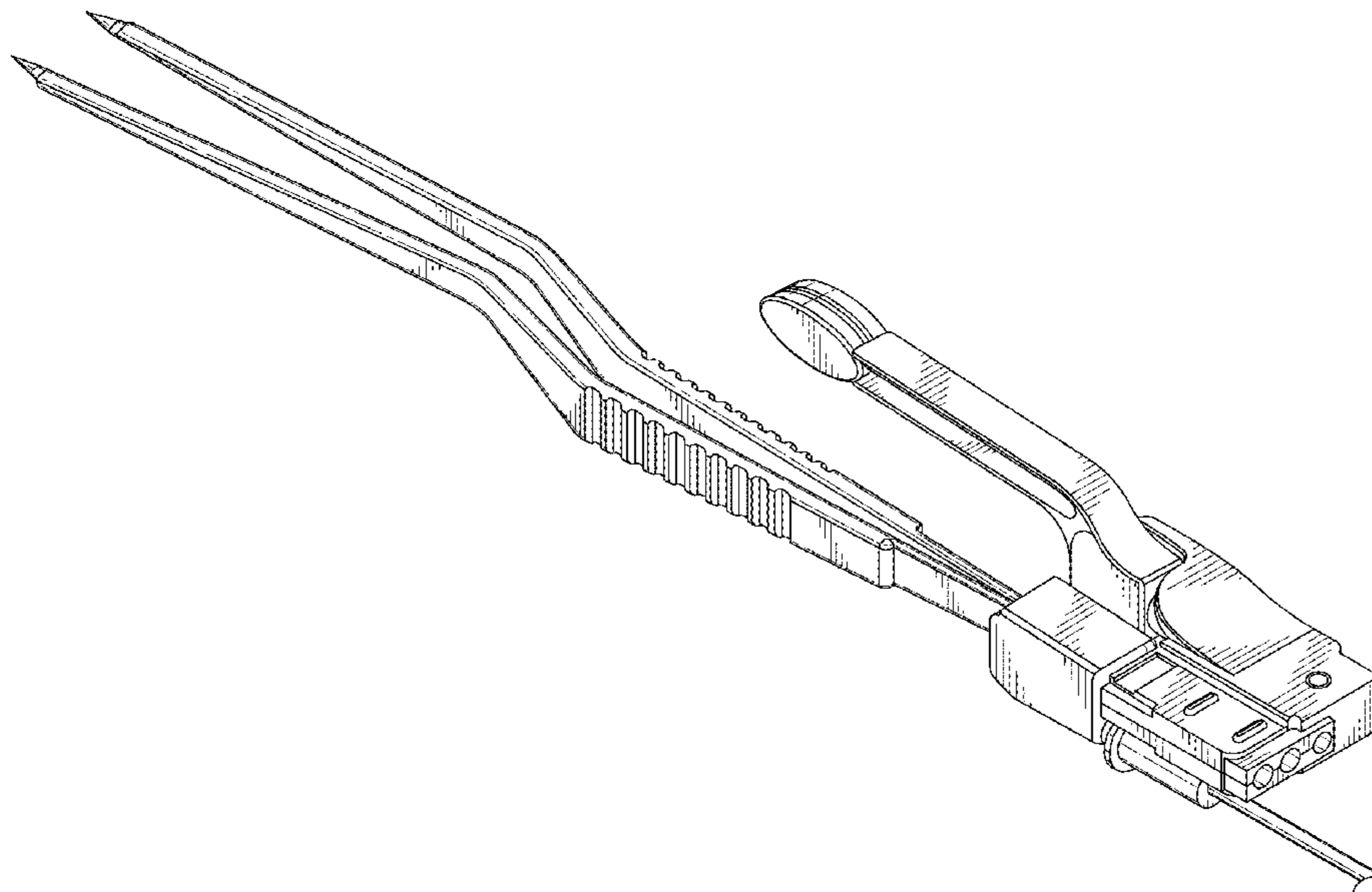
FIG. 6 is an enlarged rear elevational view thereof; and,

FIG. 7 is an enlarged front elevational view thereof.

The broken lines shown in the figures are included for the purpose of illustrating portions of the bipolar electrosurgery actuator system and form no part of the claimed design.

The broken away symbol in the drawings indicate that any portion of the article beyond what is shown forms no part of the claimed design.

1 Claim, 7 Drawing Sheets



(56)

References Cited

U.S. PATENT DOCUMENTS

7,867,230 B2 * 1/2011 Asahara A61B 18/1442
606/51

8,075,559 B2 12/2011 Stewart et al.

8,133,219 B2 3/2012 Sato

8,317,784 B2 11/2012 Choe et al.

8,479,969 B2 7/2013 Shelton, IV

8,534,528 B2 9/2013 Shelton, IV

8,558,880 B2 10/2013 Nambakam et al.

8,568,400 B2 10/2013 Gilbert

8,622,274 B2 1/2014 Yates et al.

8,632,535 B2 1/2014 Shelton, IV et al.

8,638,057 B2 1/2014 Goldberg et al.

8,638,191 B2 1/2014 Hamel et al.

8,652,120 B2 2/2014 Giordano et al.

8,684,253 B2 4/2014 Giordano et al.

8,747,400 B2 6/2014 Bigley et al.

8,840,603 B2 9/2014 Shelton, IV et al.

9,433,460 B2 * 9/2016 Cornacchia A61B 18/1442

2002/0128646 A1 9/2002 Zhang et al.

2004/0172011 A1 9/2004 Wang et al.

2005/0267553 A1 12/2005 Staunton et al.

2008/0140158 A1 6/2008 Hamel et al.

2008/0319442 A1 12/2008 Unger

2009/0085718 A1 4/2009 Hamel et al.

2009/0248019 A1 10/2009 Falkenstein et al.

2010/0087817 A1 4/2010 Sato

2011/0121049 A1 5/2011 Malinouskas et al.

2011/0125138 A1 5/2011 Malinouskas et al.

2011/0251612 A1 10/2011 Faller et al.

2012/0116391 A1 5/2012 Houser et al.

2012/0123405 A1 5/2012 Moua et al.

2012/0172873 A1 7/2012 Artale et al.

2013/0041292 A1 2/2013 Cunningham

2013/0066317 A1 * 3/2013 Evans A61B 18/1442
606/48

2014/0276786 A1 * 9/2014 Batchelor A61B 18/1442
606/41

2014/0336634 A1 11/2014 Gomez

FOREIGN PATENT DOCUMENTS

EP 1596743 B1 4/2008

EP 2057955 A1 5/2009

EP 2324776 A2 5/2011

EP 2377476 A1 10/2011

EP 237746 B1 3/2015

WO 2006/050410 A1 5/2006

* cited by examiner

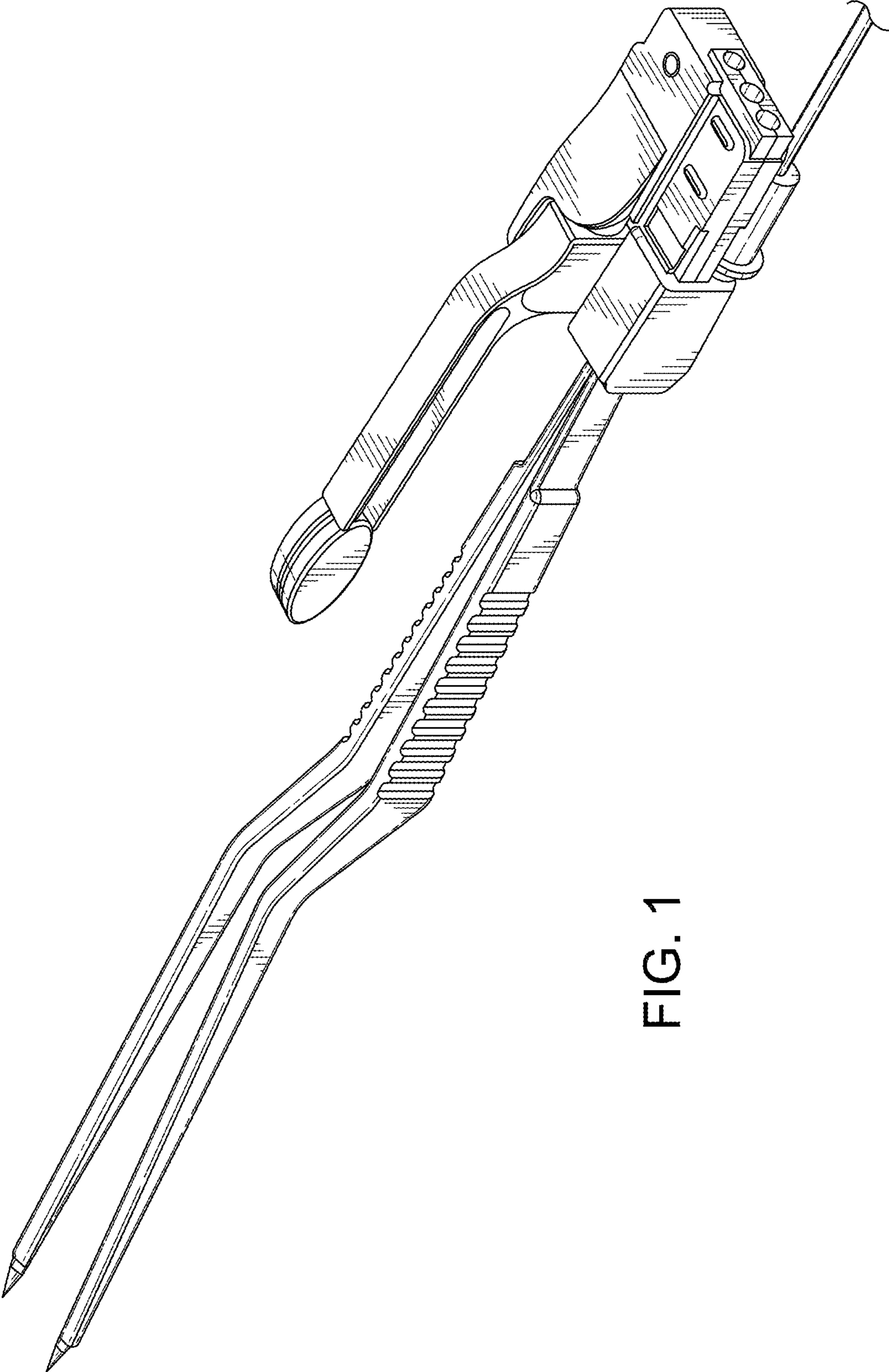


FIG. 1

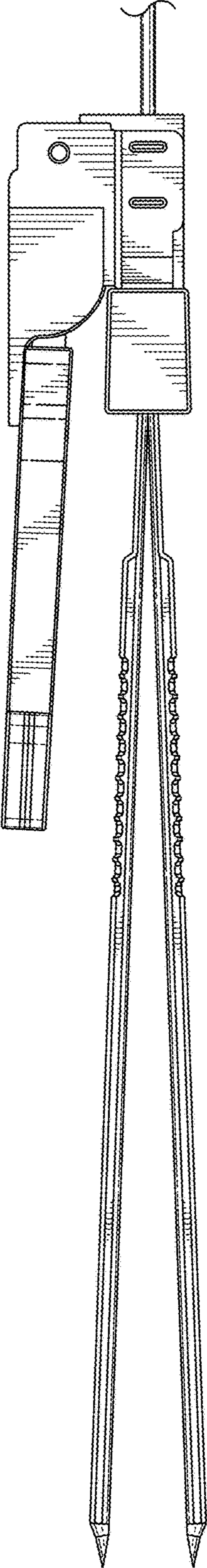


FIG. 2

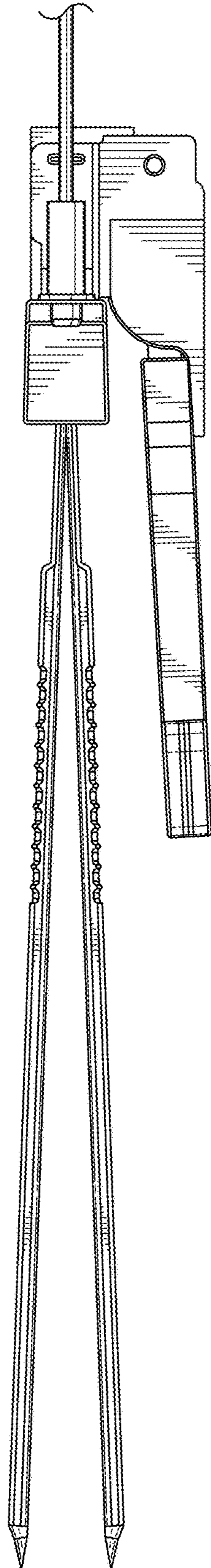


FIG. 3

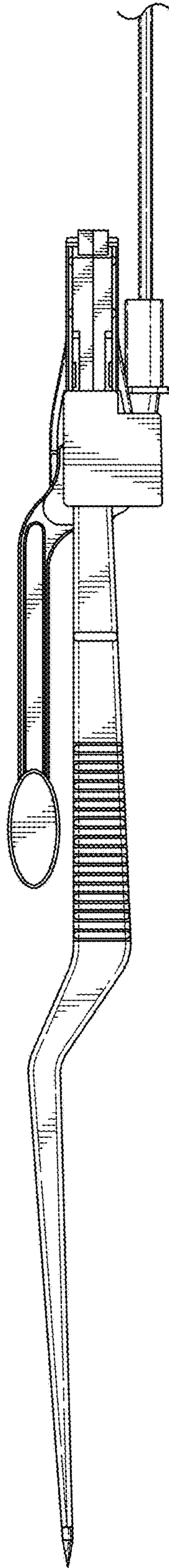


FIG. 4

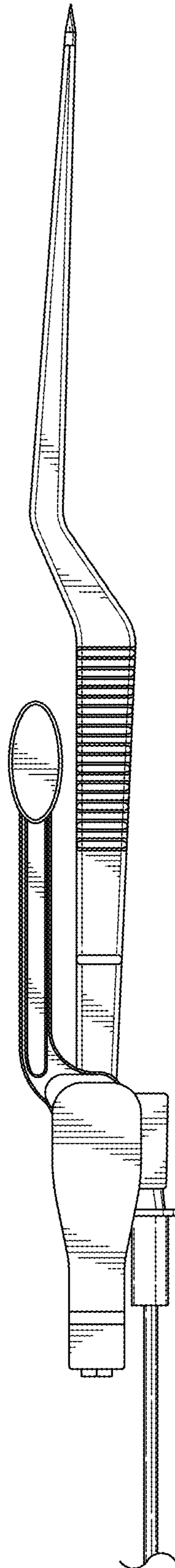


FIG. 5

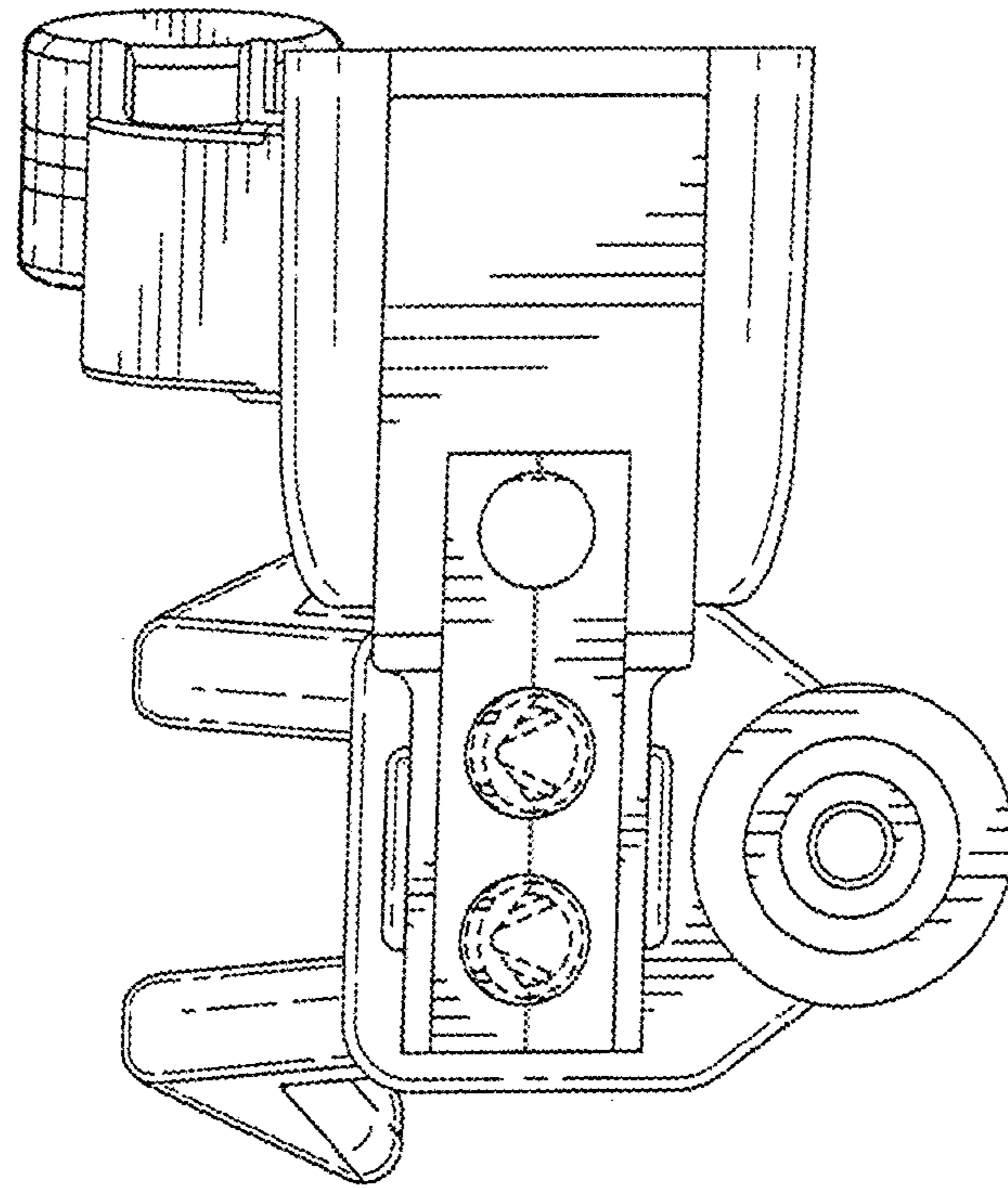


FIG. 6

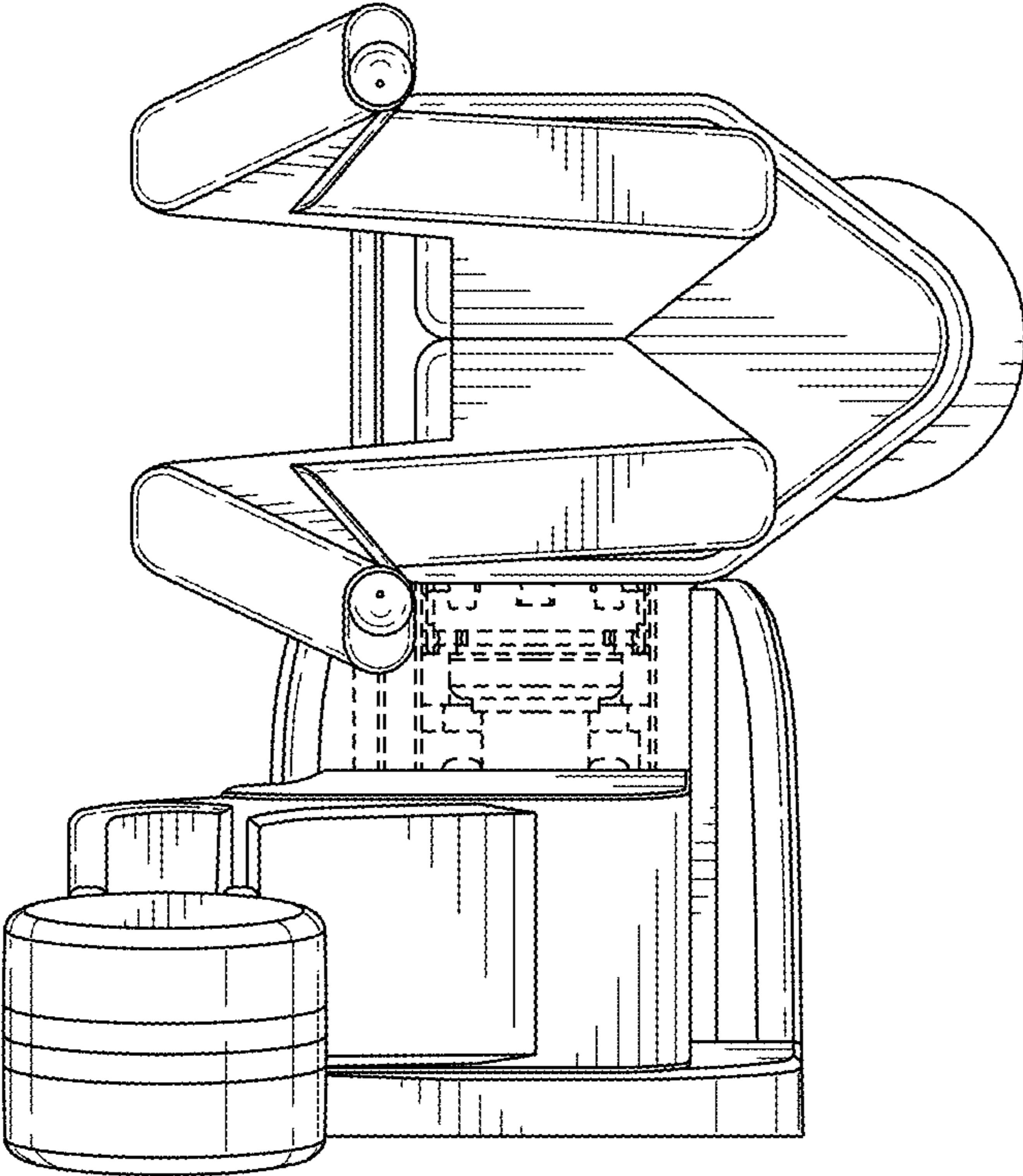


FIG. 7