



US00D778441S

(12) **United States Design Patent** (10) **Patent No.:** **US D778,441 S**  
**Corrao, Jr. et al.** (45) **Date of Patent:** **\*\* Feb. 7, 2017**

(54) **FIDUCIAL MARKER SUPPORT**  
(71) Applicant: **7D Surgical Inc.**, Toronto (CA)  
(72) Inventors: **Ernest N. Corrao, Jr.**, Bethel, CT (US); **Ronald G. Litke, Jr.**, Sandy Hook, CT (US); **Glenn Paul DiCostanzo**, Woodbury, CT (US); **Peter Siegler**, Toronto (CA); **Kathleen Chancellor-Maddison**, Cambridge (CA); **Adrian Linus Dinesh Mariampillai**, Toronto (CA); **Michael Ka Kit Leung**, Markham (CA); **Beau Anthony Standish**, Toronto (CA); **Victor X. D. Yang**, North York (CA)

6,978,167 B2 12/2005 Dekel et al.  
D527,820 S 9/2006 Solar et al.  
7,139,418 B2 11/2006 Abovitz et al.  
7,643,867 B2 1/2010 Solar et al.  
7,734,327 B2 6/2010 Colquhoun  
7,742,804 B2 6/2010 Faul  
7,881,770 B2 \* 2/2011 Melkent ..... A61B 5/06  
600/424  
8,098,544 B2 \* 1/2012 Roche ..... G01S 7/64  
367/117

(Continued)

FOREIGN PATENT DOCUMENTS

WO 2014005225 1/2014

*Primary Examiner* — Mark Goodwin

(74) *Attorney, Agent, or Firm* — Lynn C. Schumacher; Stephen W. Leonard; Hill & Schumacher

(73) Assignee: **7D SURGICAL INC.**, Toronto, ON (CA)

(\*\*) Term: **15 Years**

(21) Appl. No.: **29/539,090**

(22) Filed: **Sep. 10, 2015**

(51) **LOC (10) Cl.** ..... **24-02**

(52) **U.S. Cl.**  
USPC ..... **D24/140**

(58) **Field of Classification Search**  
USPC ..... D24/232, 107, 127–129, 133, 137, 138, D24/140, 158, 130, 186; D21/364, 368; D20/41; D10/64; 378/162, 163; 600/414, 600/420, 426, 429  
CPC ..... A61B 6/12; A61B 34/20; A61B 90/36; A61B 2090/3983; A61B 2090/364; A61B 2090/376; A61B 2034/2055; A61B 2034/2068; G06T 7/0028; G06T 2207/30004

See application file for complete search history.

(56) **References Cited**

U.S. PATENT DOCUMENTS

5,389,101 A \* 2/1995 Heilbrun ..... A61B 5/06  
348/E13.014  
5,397,329 A \* 3/1995 Allen ..... A61B 6/12  
378/205

(57) **CLAIM**

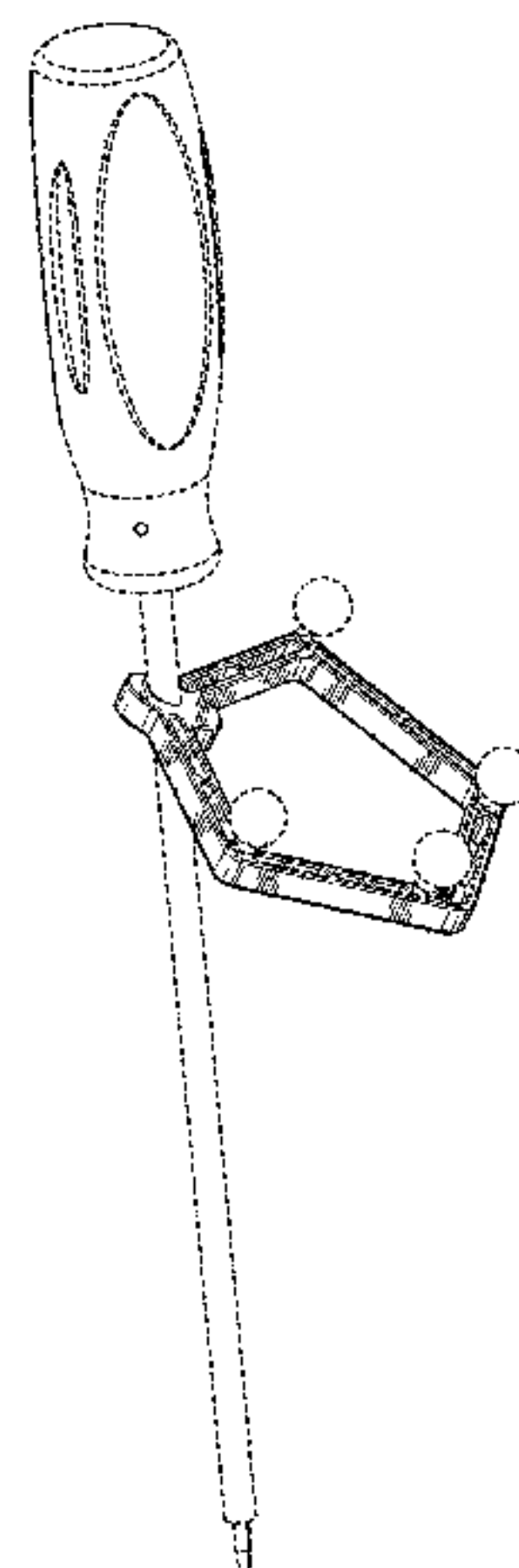
The ornamental design for a fiducial marker support, as shown and described.

**DESCRIPTION**

FIG. 1 is a perspective view of one embodiment of a fiducial marker support showing our new design incorporated into a longitudinal axis tool;  
FIG. 2 is a top plan view thereof;  
FIG. 3 is a bottom plan view thereof;  
FIG. 4 is a left side elevational view thereof;  
FIG. 5 is a front elevational view thereof;  
FIG. 6 is a right side elevational view thereof; and,  
FIG. 7 is a rear elevational view thereof.

The broken lines shown in the figures are included for the purpose of illustrating portions of the fiducial marker support and form no part of the claimed design.

**1 Claim, 3 Drawing Sheets**



(56)

**References Cited**

U.S. PATENT DOCUMENTS

8,320,612 B2 *	11/2012	Knobel .....	A61C 1/082
			348/169
8,798,716 B1 *	8/2014	DeSena .....	A61B 19/54
			600/3
D720,851 S	1/2015	Yang et al.	
D727,497 S	4/2015	Yang et al.	

\* cited by examiner

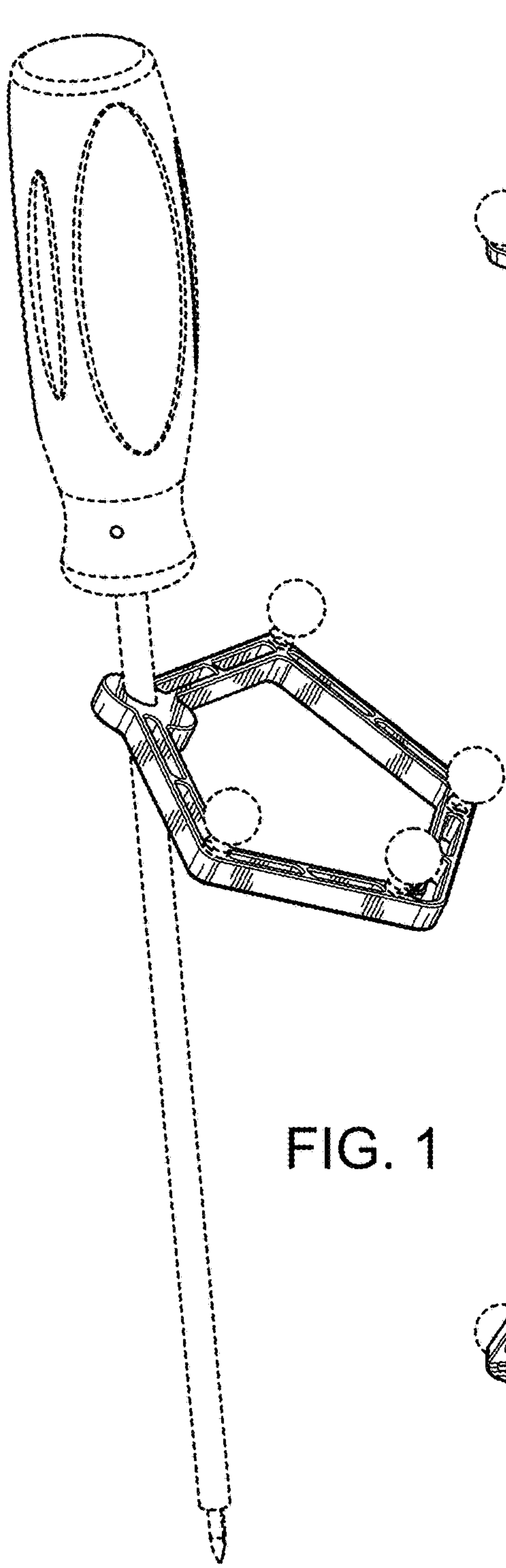


FIG. 1

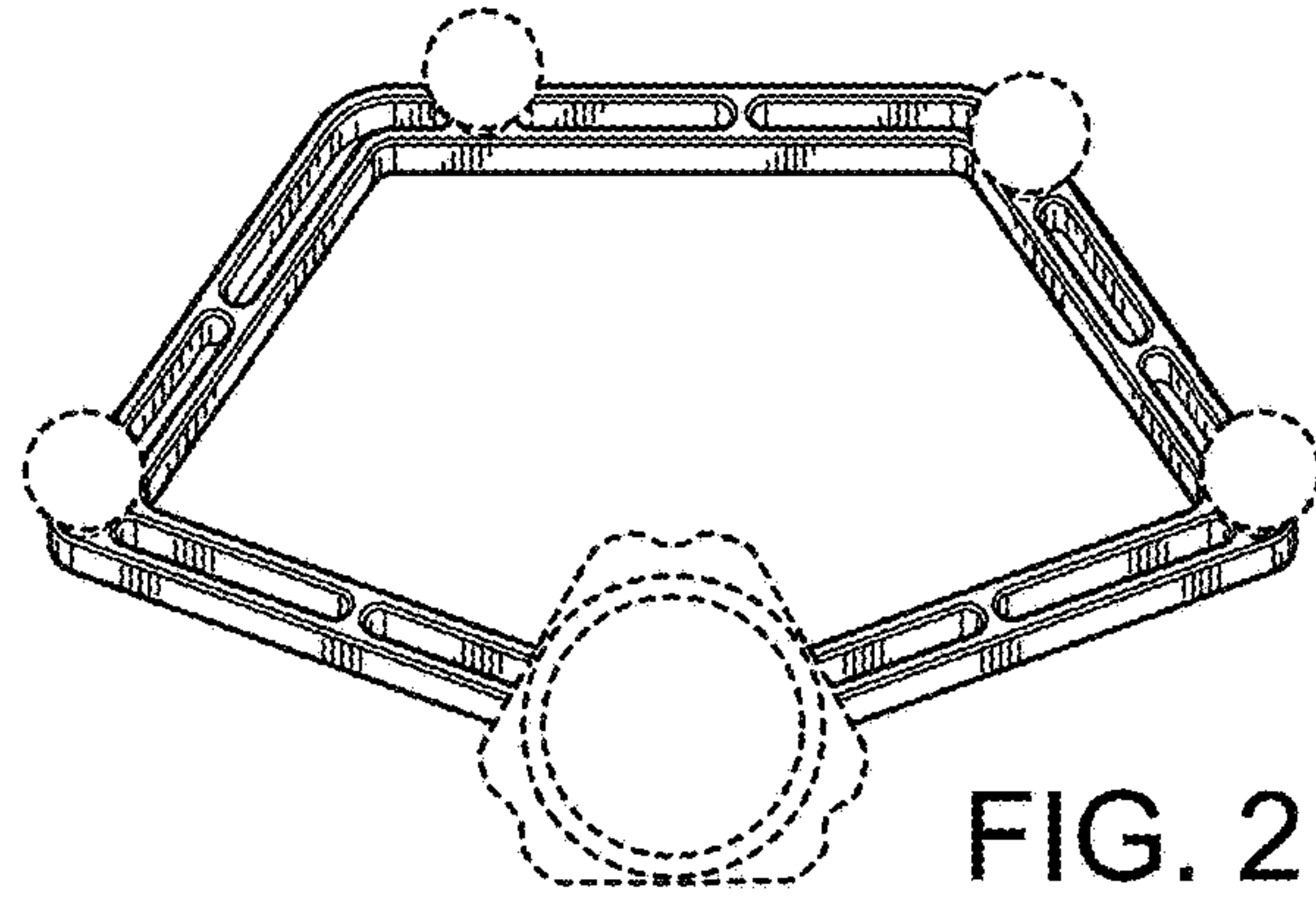


FIG. 2

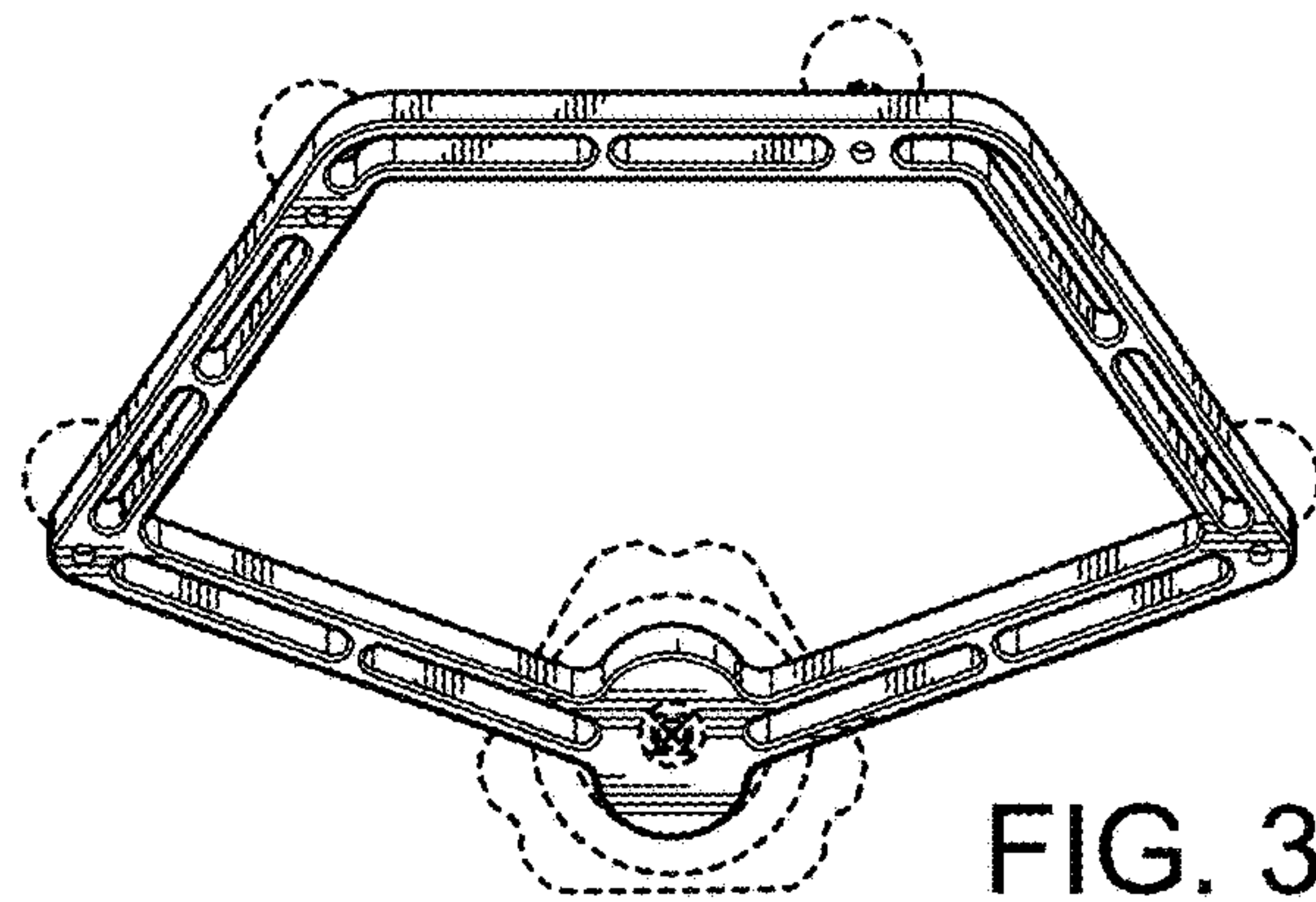
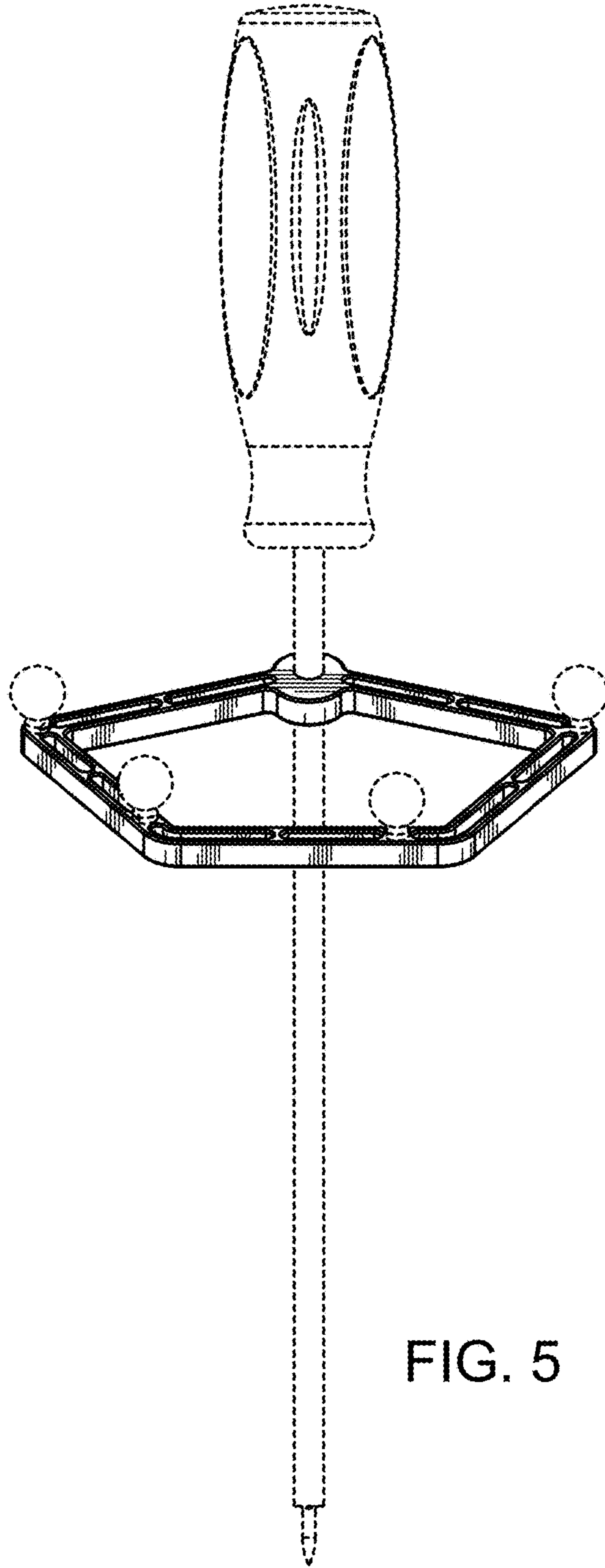
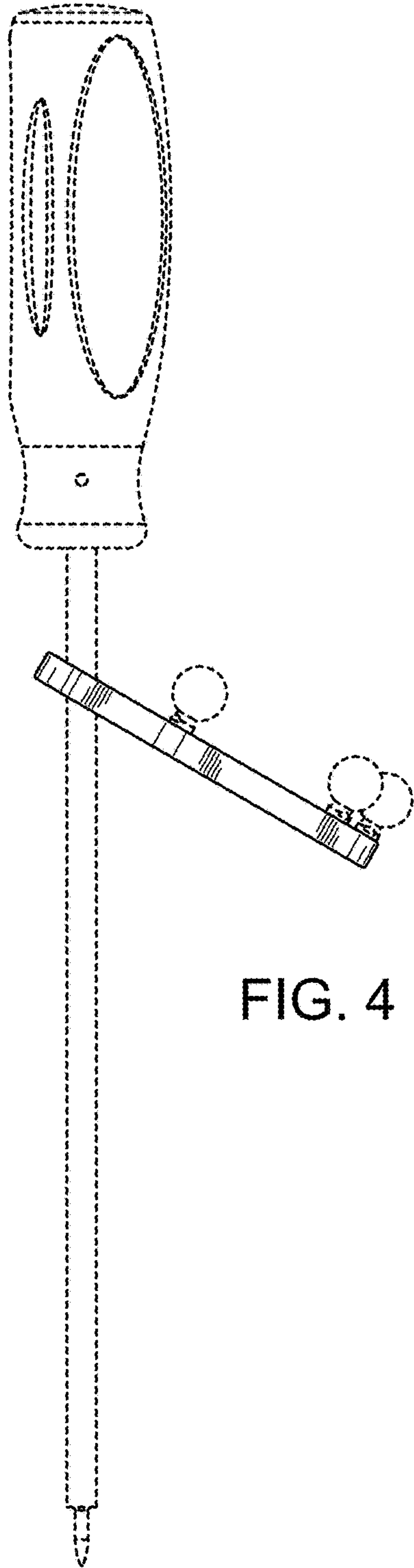


FIG. 3





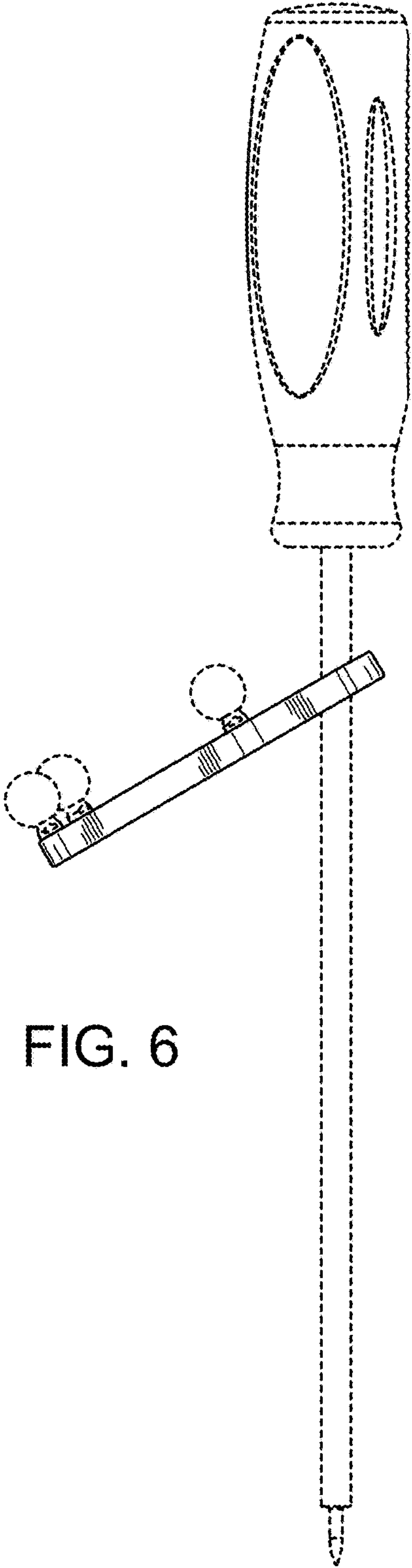


FIG. 6

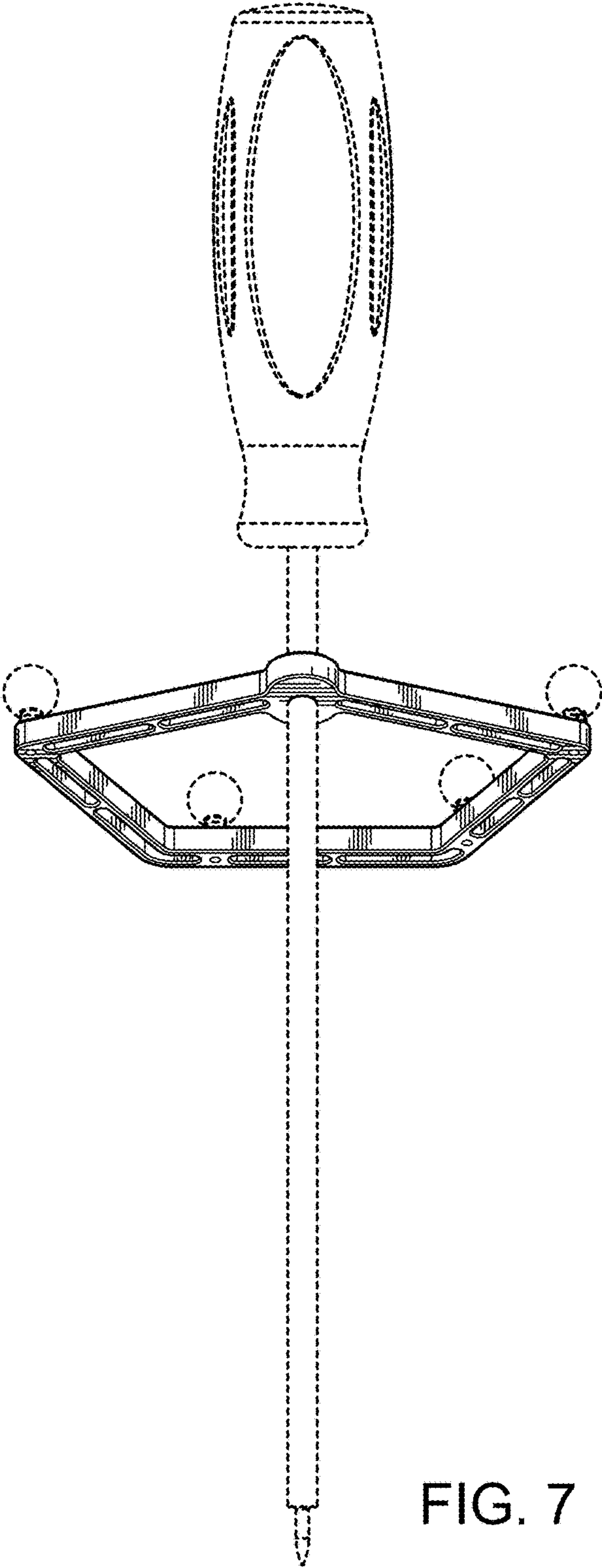


FIG. 7